



US00D733918S

(12) **United States Design Patent**
Sjolander

(10) **Patent No.:** **US D733,918 S**

(45) **Date of Patent:** **** Jul. 7, 2015**

- (54) **ELECTROPHORESIS CASSETTE**
- (71) Applicant: **GE HEALTHCARE BIO-SCIENCES AB**, Uppsala (SE)
- (72) Inventor: **Stefan Sjolander**, Uppsala (SE)
- (73) Assignee: **GE Healthcare Bio-Sciences AB**, Uppsala (SE)

5,827,418	A *	10/1998	Haven et al.	204/618
5,989,403	A *	11/1999	Provonchee	204/619
D443,068	S *	5/2001	Manusu et al.	D24/233
6,413,402	B1 *	7/2002	Manusu et al.	204/620
D511,386	S *	11/2005	Emerson	D24/233
7,135,101	B2 *	11/2006	Atchison et al.	204/467
8,034,223	B2 *	10/2011	Rooney et al.	204/616
2003/0127331	A1 *	7/2003	Leka	204/616
2011/0042217	A1 *	2/2011	Updyke et al.	204/620
2014/0231260	A1 *	8/2014	Updyke et al.	204/620

- (**) Term: **14 Years**
- (21) Appl. No.: **29/490,735**
- (22) Filed: **May 13, 2014**

- (30) **Foreign Application Priority Data**
Nov. 21, 2013 (EM) 002350058-0001
- (51) **LOC (10) Cl.** **24-02**
- (52) **U.S. Cl.**
USPC **D24/233**
- (58) **Field of Classification Search**
USPC D24/232-233; D10/81; 204/615-616,
204/618-620, 606, 465, 467, 456
See application file for complete search history.

(56) **References Cited**

U.S. PATENT DOCUMENTS

4,414,073	A *	11/1983	Iwata et al.	204/616
4,560,459	A *	12/1985	Hofer	204/467
4,919,784	A *	4/1990	Yetman	204/618
4,929,329	A *	5/1990	Danby et al.	204/618
5,228,970	A *	7/1993	Foley	204/616
5,411,657	A *	5/1995	Leka	204/618
5,543,023	A *	8/1996	Lugojan	204/618
5,569,369	A *	10/1996	Leffler et al.	204/620

FOREIGN PATENT DOCUMENTS

EM 000013123-0002 * 6/2003

* cited by examiner

Primary Examiner — Wan Laymon

(74) *Attorney, Agent, or Firm* — Sutherland Asbill & Brennan LLP

(57) **CLAIM**

The ornamental design for an electrophoresis cassette, as shown and described.

DESCRIPTION

FIG. 1 is a front perspective view of the electrophoresis cassette according to the design.

FIG. 2 is a front plan view of the electrophoresis cassette.

FIG. 3 is a left side view of the electrophoresis cassette.

FIG. 4 is a right side view of the electrophoresis cassette.

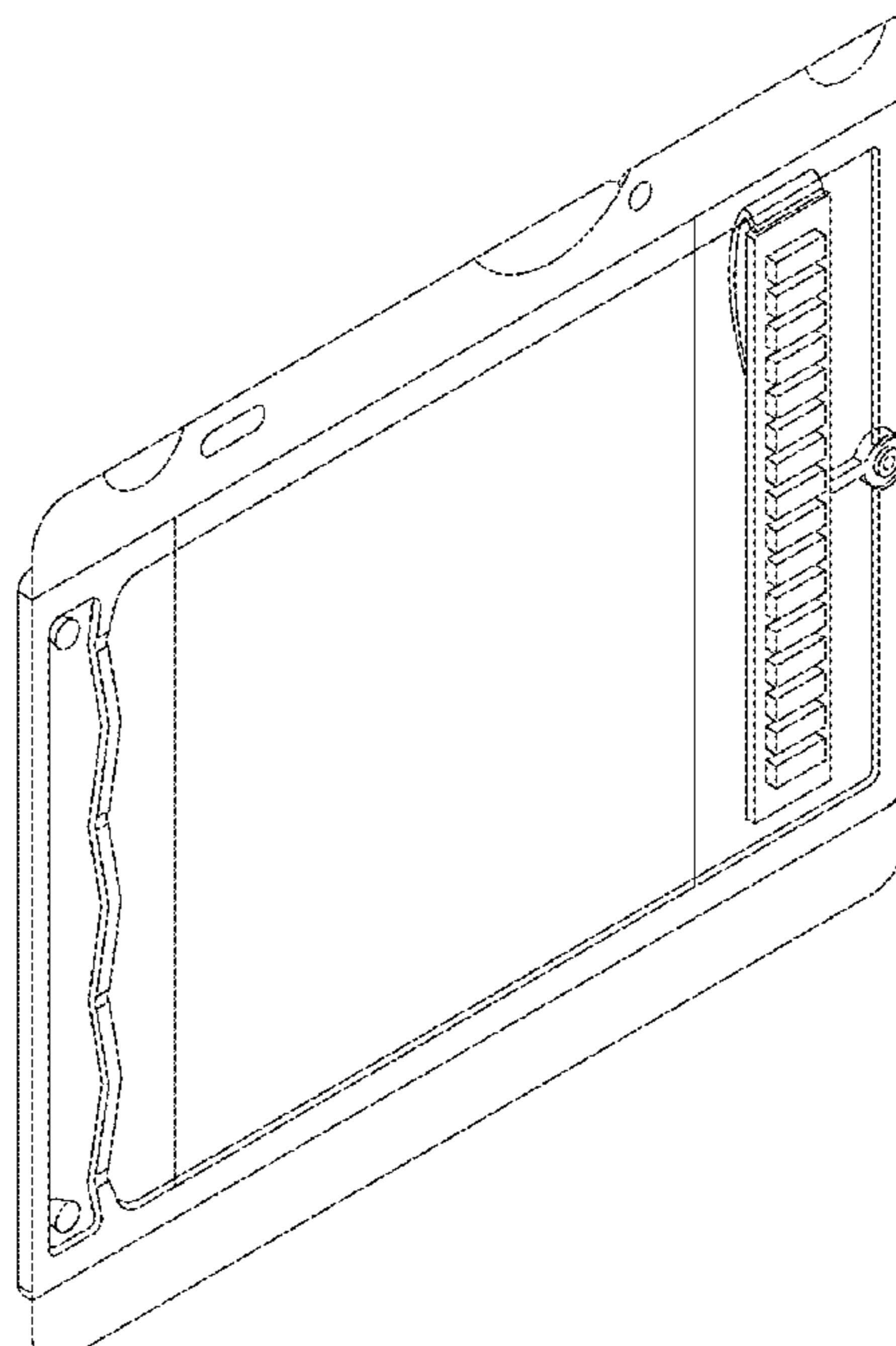
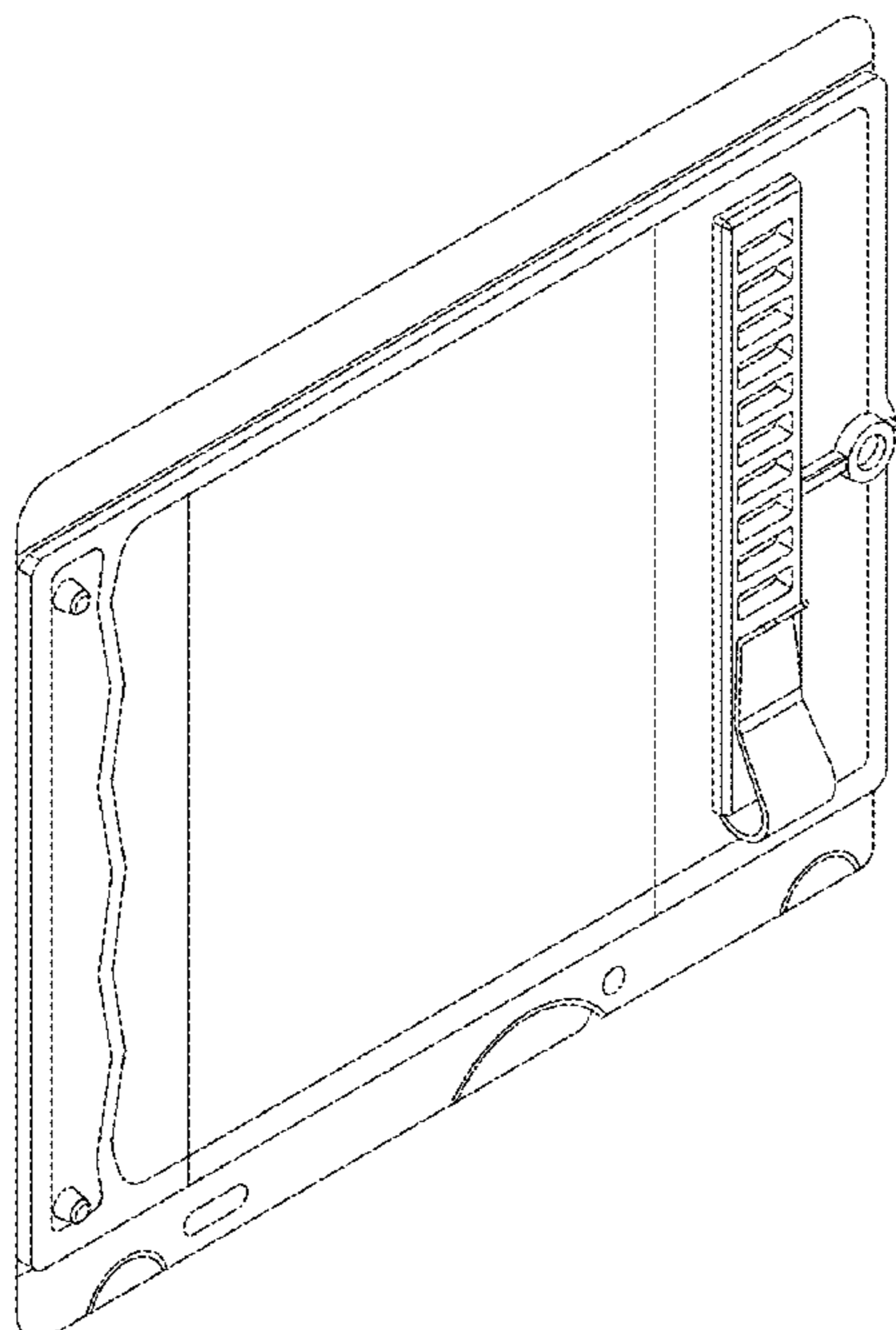
FIG. 5 is a bottom plan view of the electrophoresis cassette.

FIG. 6 is a top plan view of the electrophoresis cassette.

FIG. 7 is a back plan view of the electrophoresis cassette; and,

FIG. 8 is a back perspective view of the electrophoresis cassette.

1 Claim, 8 Drawing Sheets



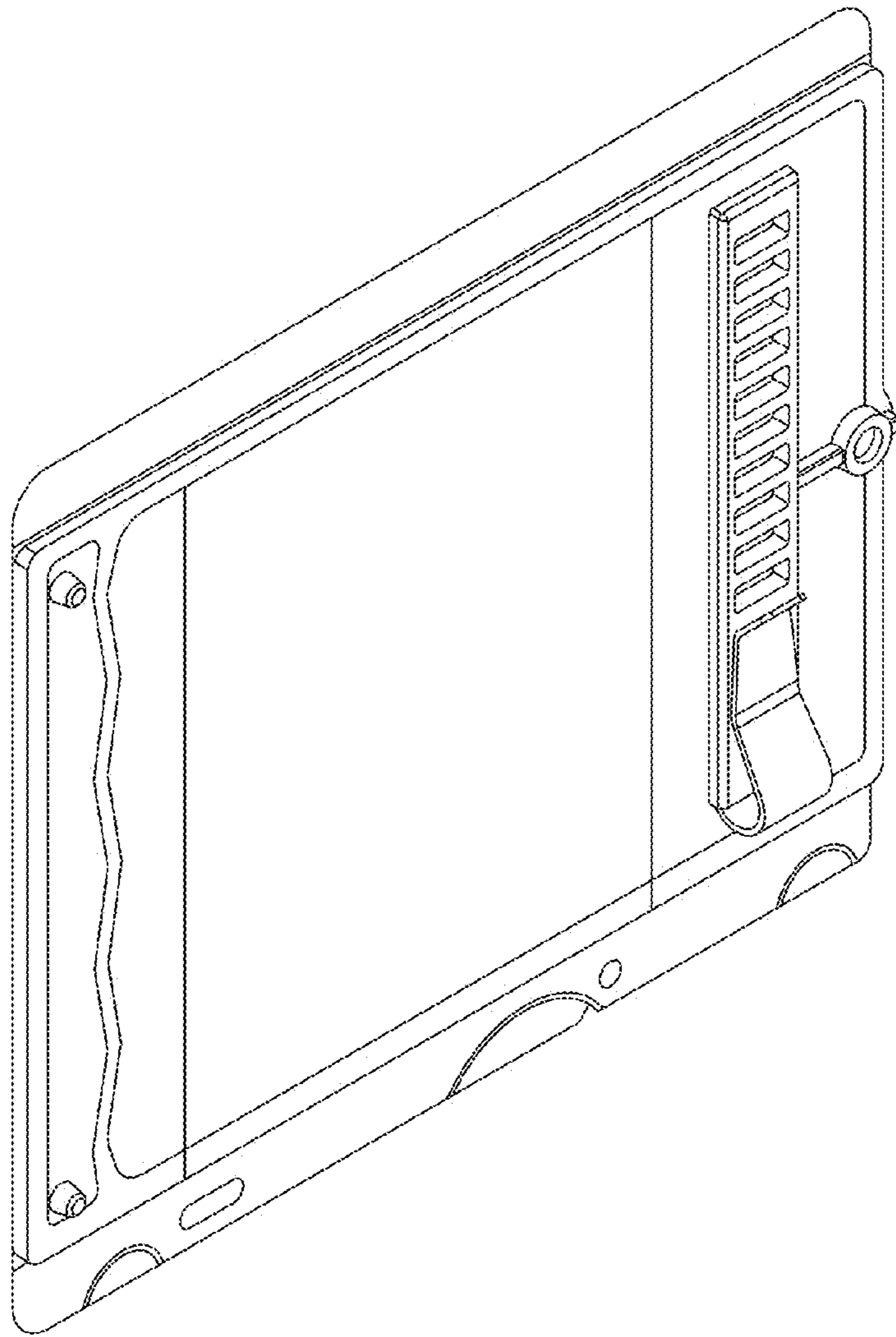


FIG. 1

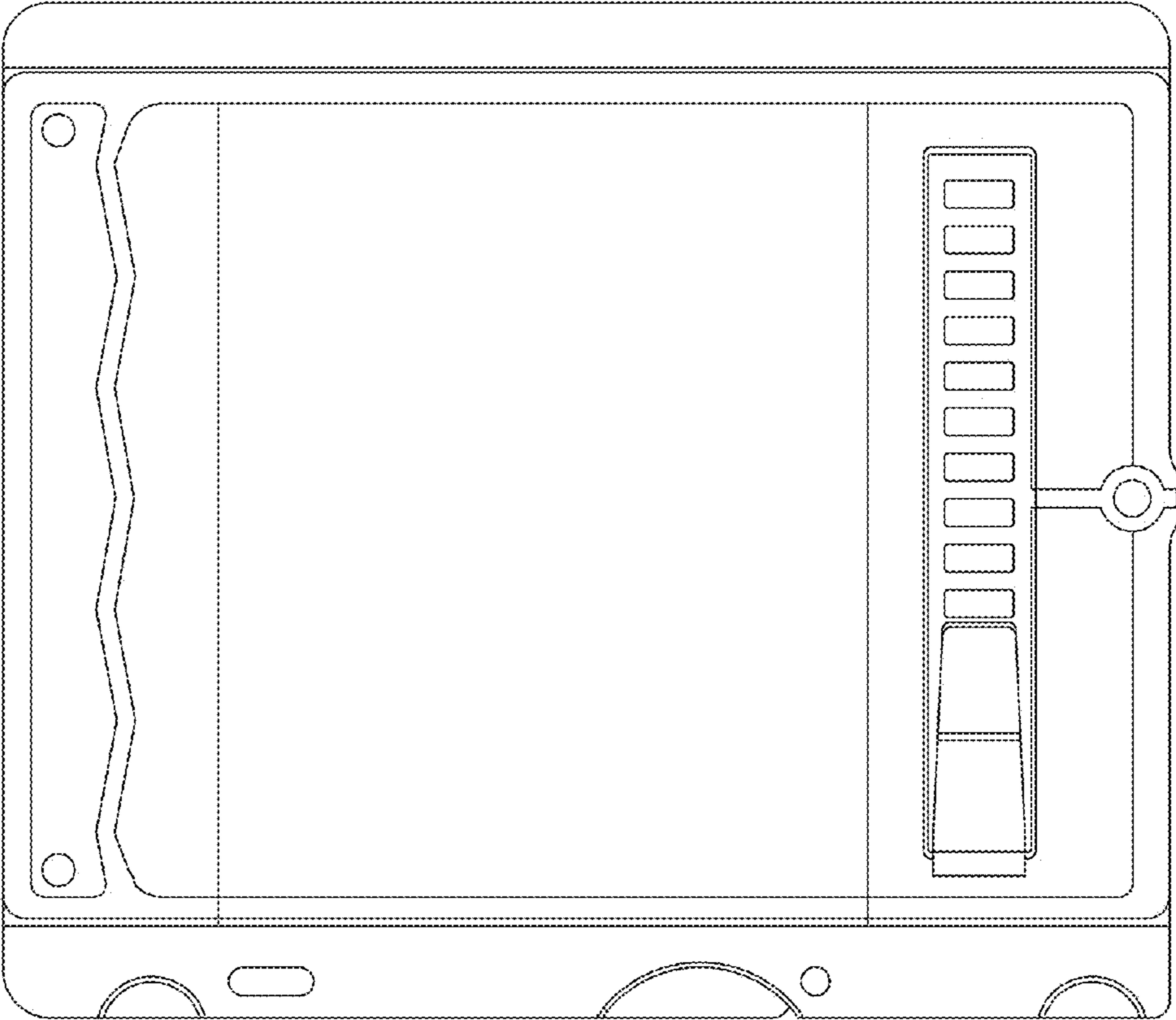


FIG. 2

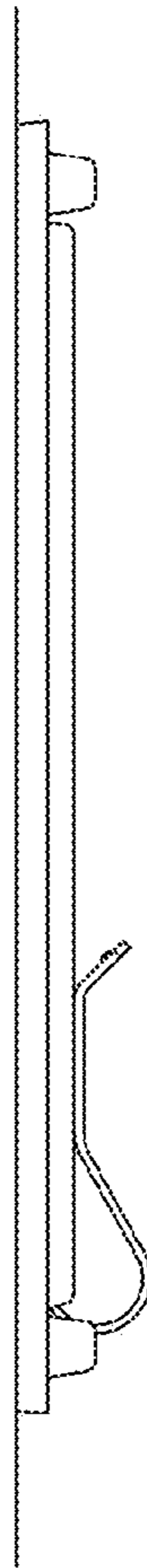


FIG. 3

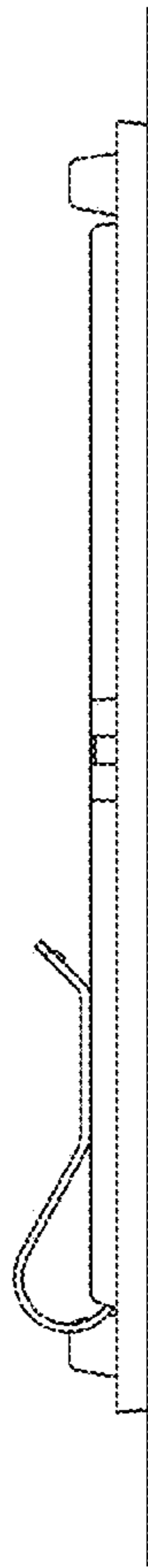


FIG. 4



FIG. 5

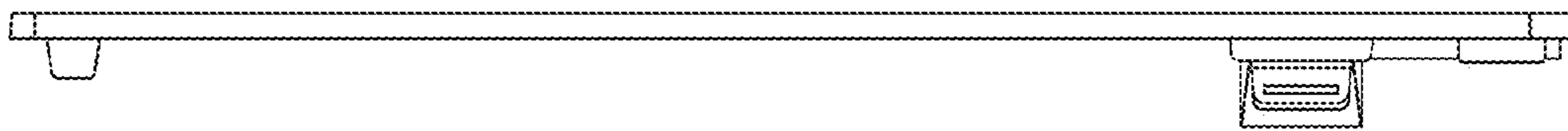


FIG. 6

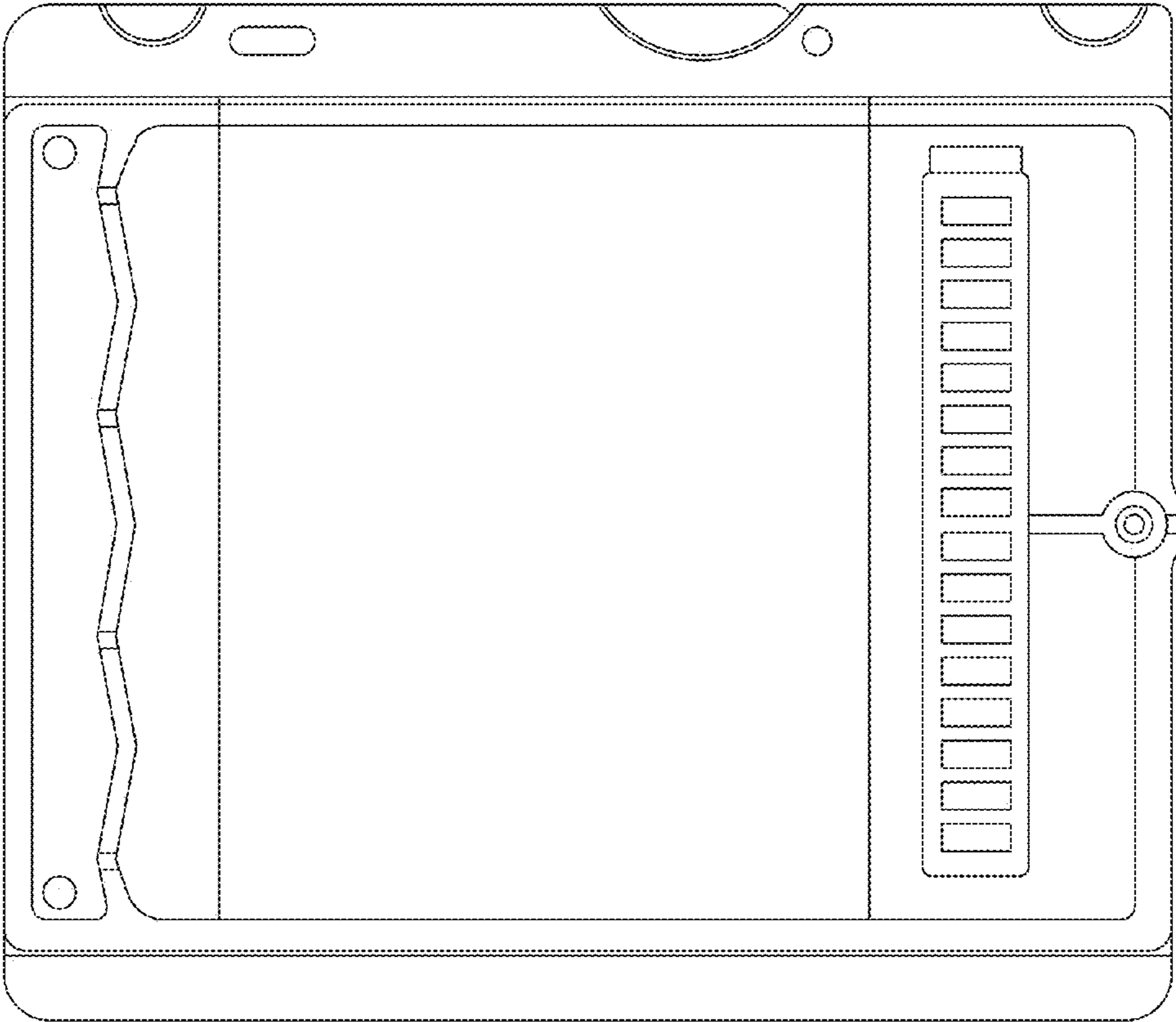


FIG. 7

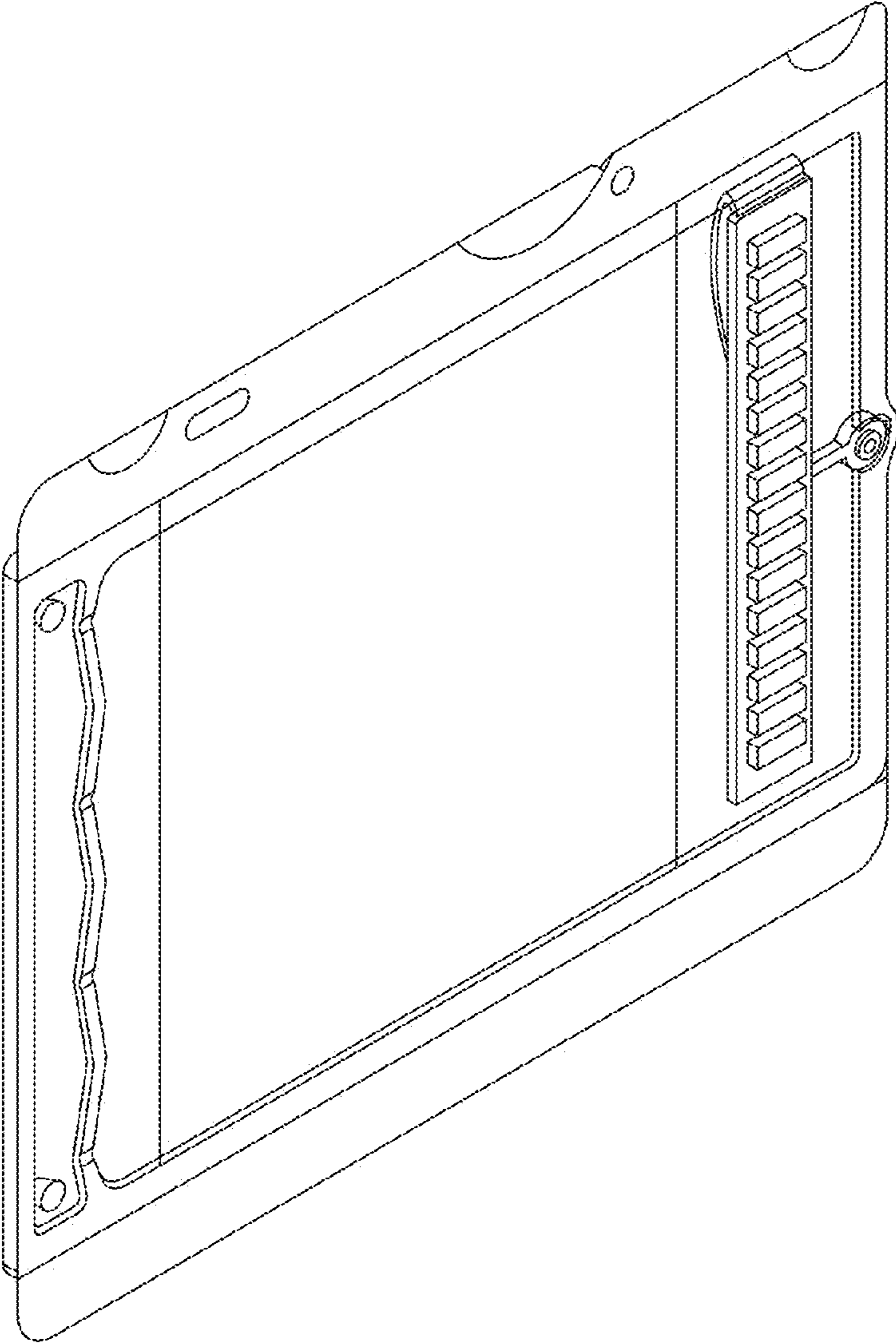


FIG. 8