



US00D733917S

(12) **United States Design Patent**
Klein et al.

(10) **Patent No.:** **US D733,917 S**
(45) **Date of Patent:** **** Jul. 7, 2015**

(54) **THERMAL CYCLER DEVICE**

8,046,175 B2 * 10/2011 Kuo et al. 422/63
8,859,271 B2 * 10/2014 Shin et al. 435/303.1
D717,968 S * 11/2014 Klein et al. D24/232

(71) Applicant: **Life Technologies Corporation,**
Carlsbad, CA (US)

* cited by examiner

(72) Inventors: **Sandro Klein,** Irvine, CA (US); **Xin Mathers,** Poway, CA (US); **Joseph Lee,** San Diego, CA (US)

Primary Examiner — Wan Laymon
(74) *Attorney, Agent, or Firm* — Life Technologies Corporation

(73) Assignee: **Life Technologies Corporation,**
Carlsbad, CA (US)

(57) **CLAIM**
The ornamental design for a thermal cycler device, as shown and described.

(**) Term: **14 Years**

DESCRIPTION

(21) Appl. No.: **29/481,324**

FIG. 1 is a front, top perspective view of a first embodiment of a thermal cycler device of our new design;

(22) Filed: **Feb. 4, 2014**

FIG. 2 is a front view thereof;

(51) **LOC (10) Cl.** **24-01**

FIG. 3 is a rear view thereof;

(52) **U.S. Cl.**

FIG. 4 is a right side view thereof;

USPC **D24/232**

FIG. 5 is a left side view thereof;

(58) **Field of Classification Search**

FIG. 6 is a top view thereof;

USPC D24/230–233, 216–220, 221, 225–227,
D24/229; D10/81; 422/50–53, 62–63, 68.1,
422/500, 565; 435/285.1, 287.1, 288.4,
435/287.2, 288.7, 303.1, 809
See application file for complete search history.

FIG. 7 is a bottom view thereof;

FIG. 8 is a first front, top perspective view of a second embodiment of a thermal cycler device of our new design;

(56) **References Cited**

FIG. 9 is a front view thereof;

U.S. PATENT DOCUMENTS

5,525,300 A * 6/1996 Danssaert et al. 422/63
D467,349 S * 12/2002 Niedbala et al. D24/232
D537,951 S * 3/2007 Okamoto et al. D24/233

FIG. 10 is a rear view thereof;

FIG. 11 is a right side view thereof;

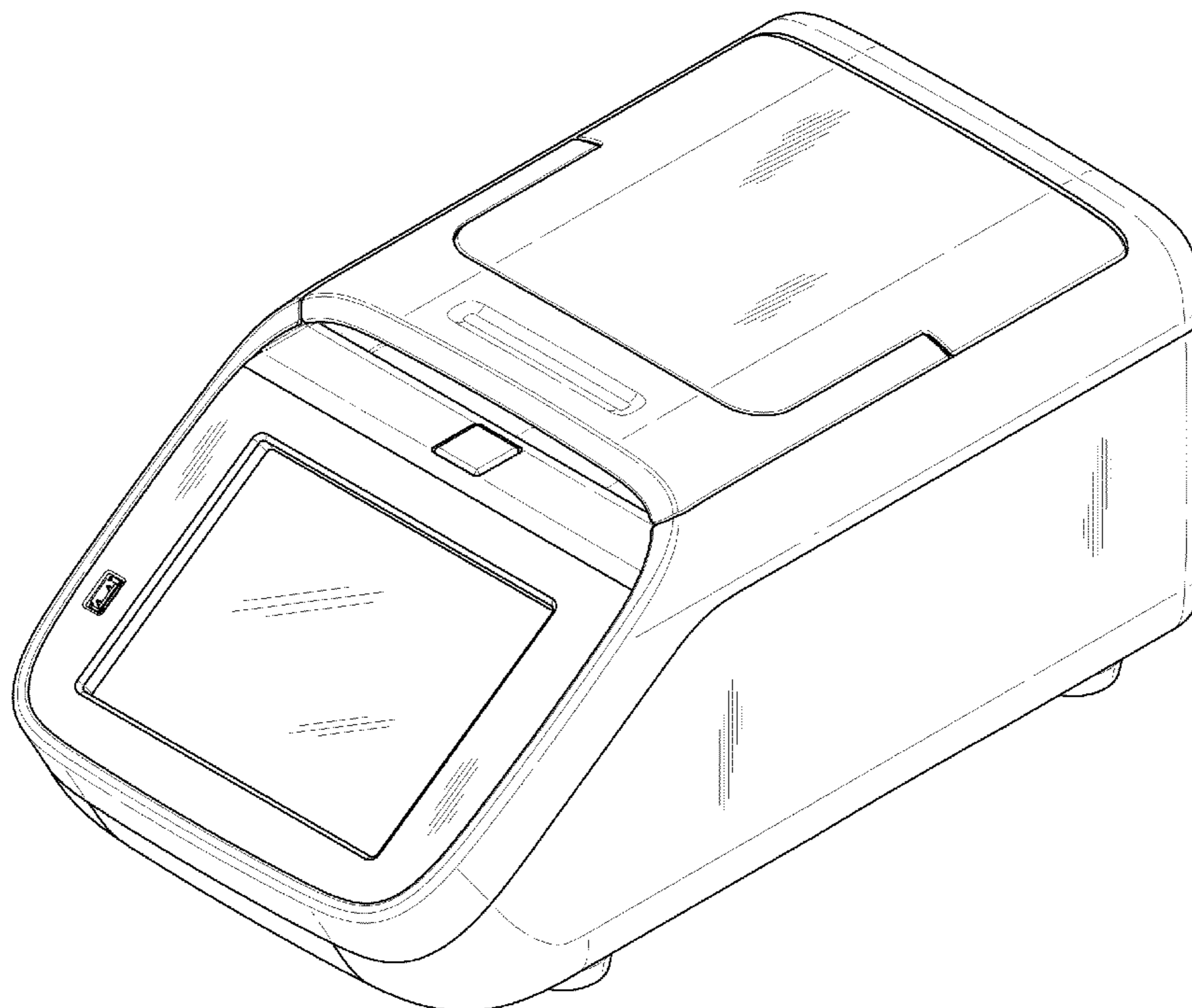
FIG. 12 is a left side view thereof;

FIG. 13 is a top view thereof; and,

FIG. 14 is a bottom view thereof.

The portions of the display screen, text, and other features depicted in broken lines are not part of the claimed design.

1 Claim, 14 Drawing Sheets



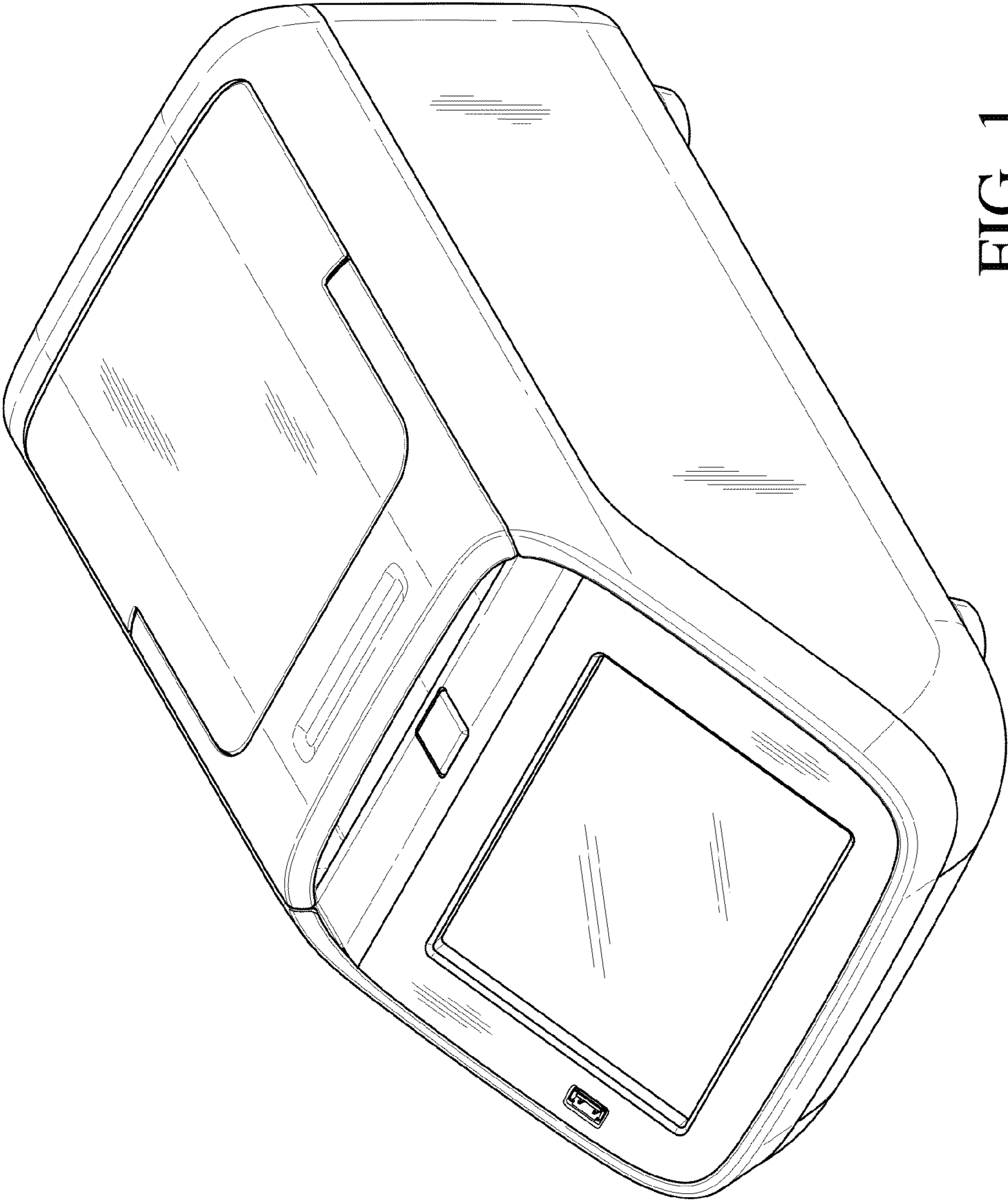


FIG. 1

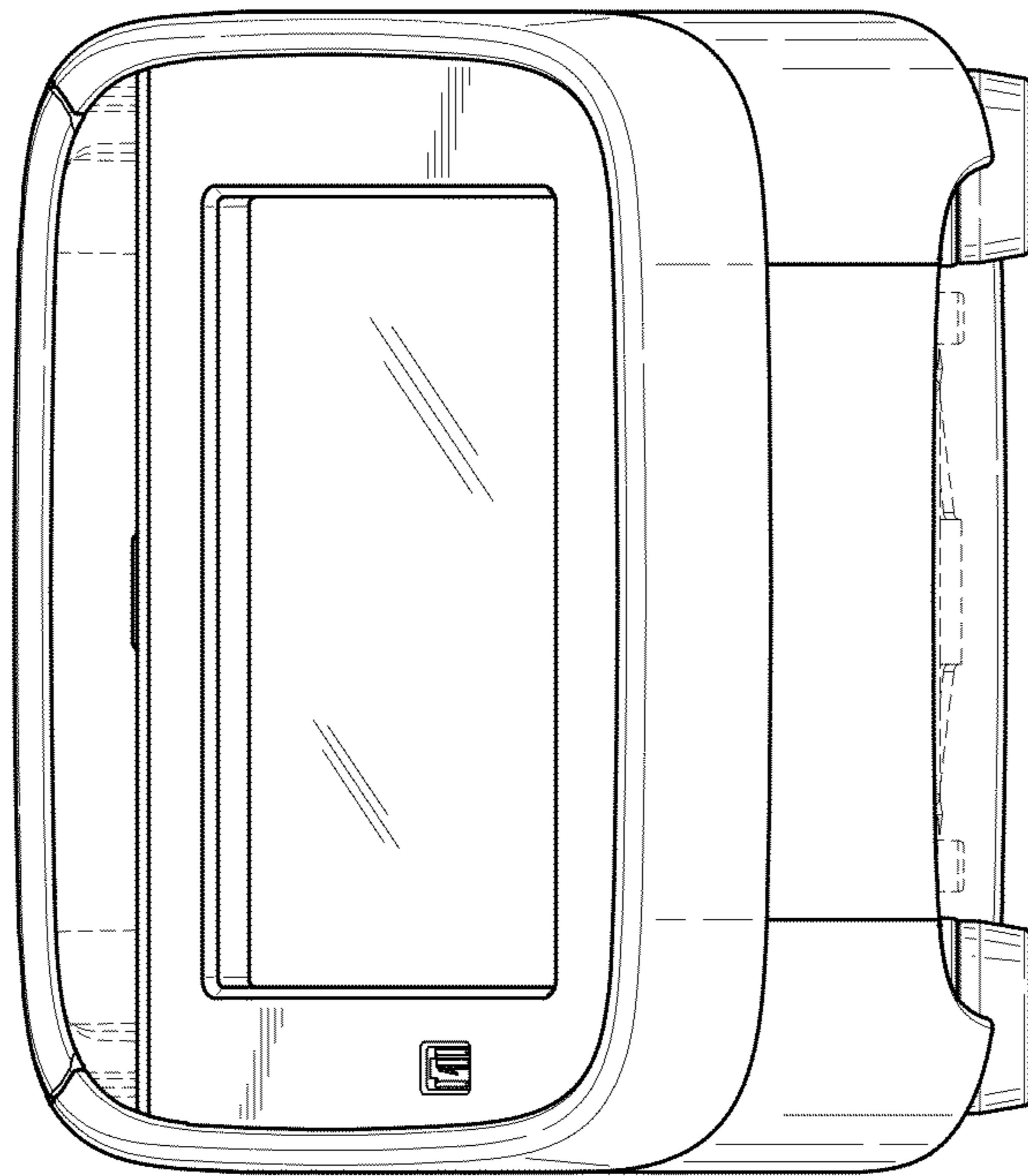


FIG. 2

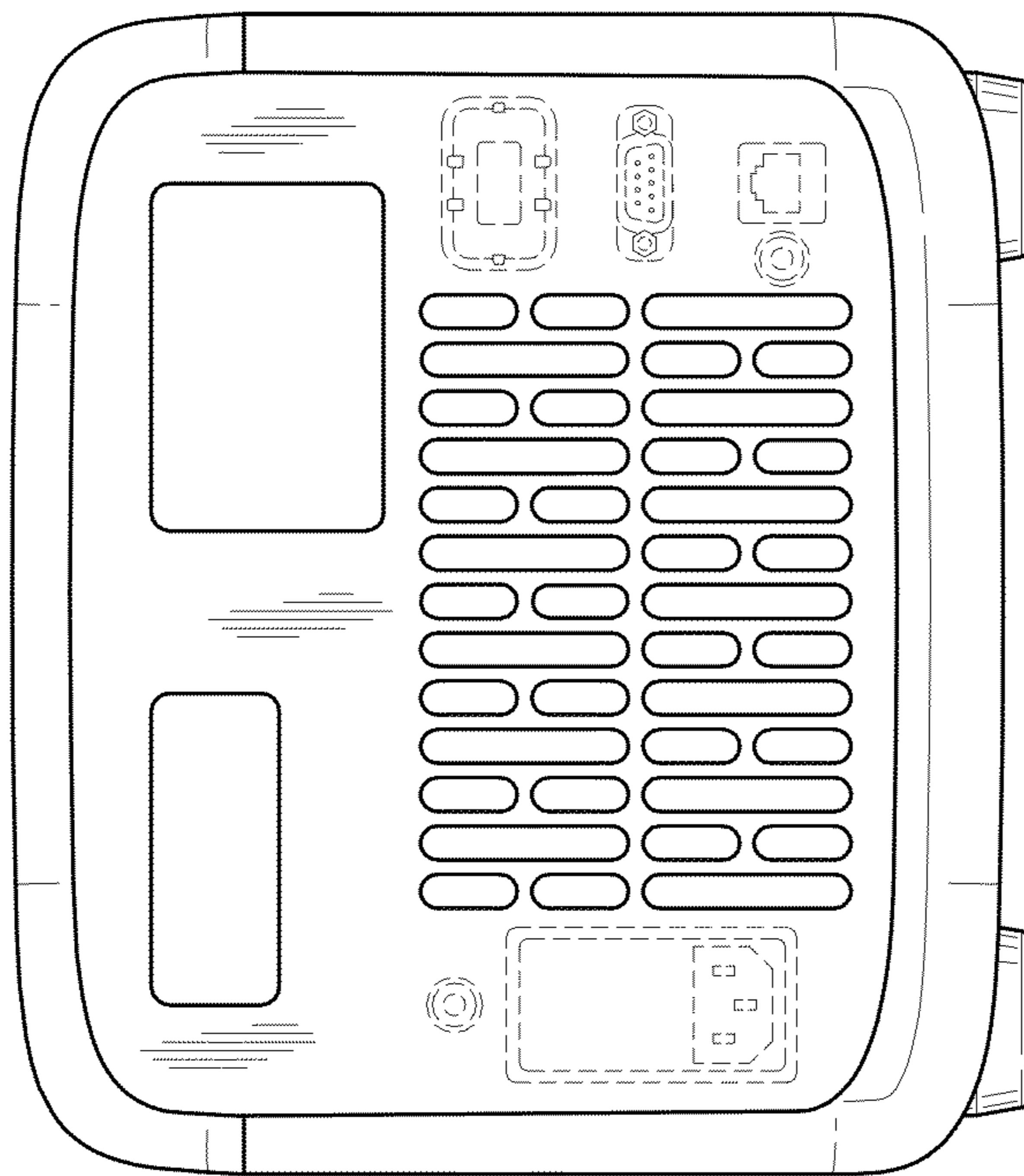


FIG. 3



FIG. 4

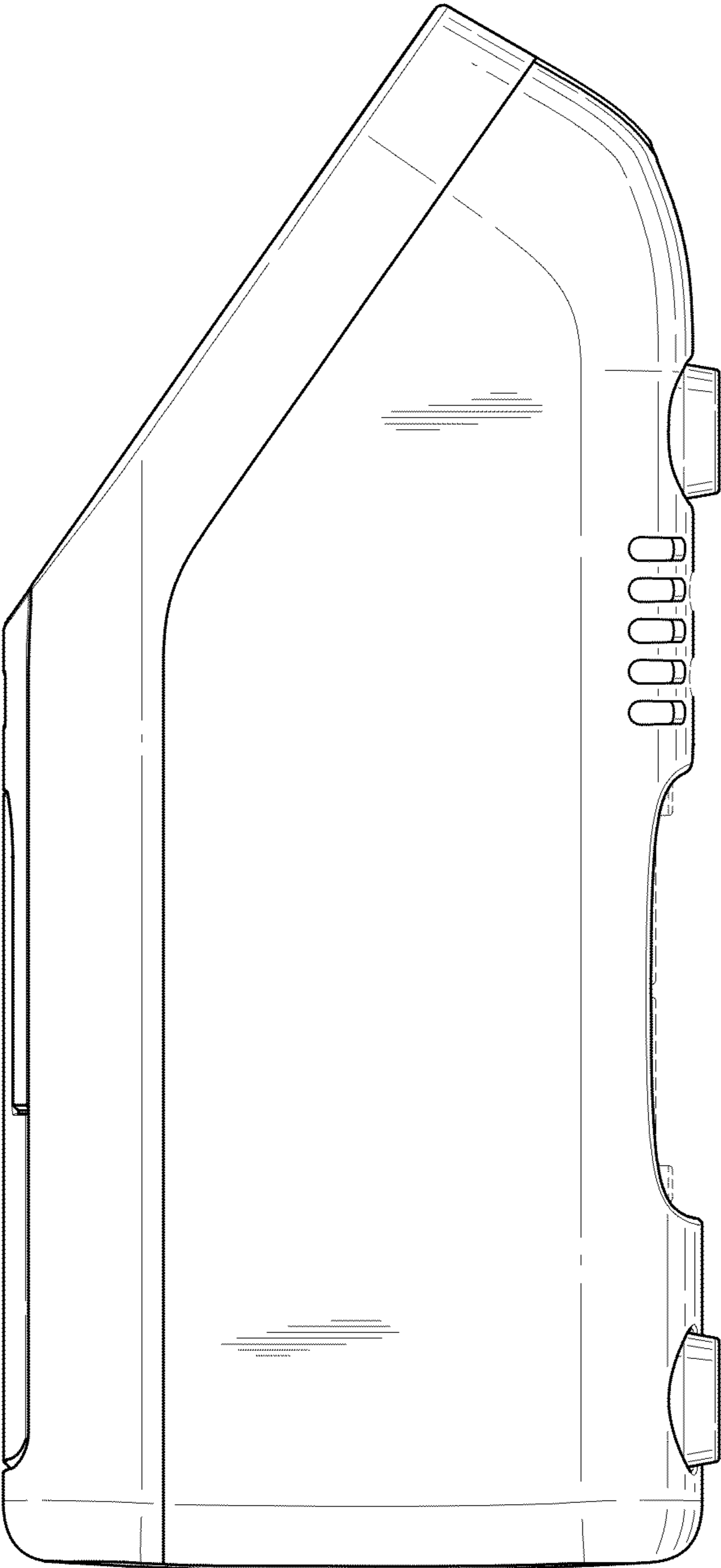


FIG. 5

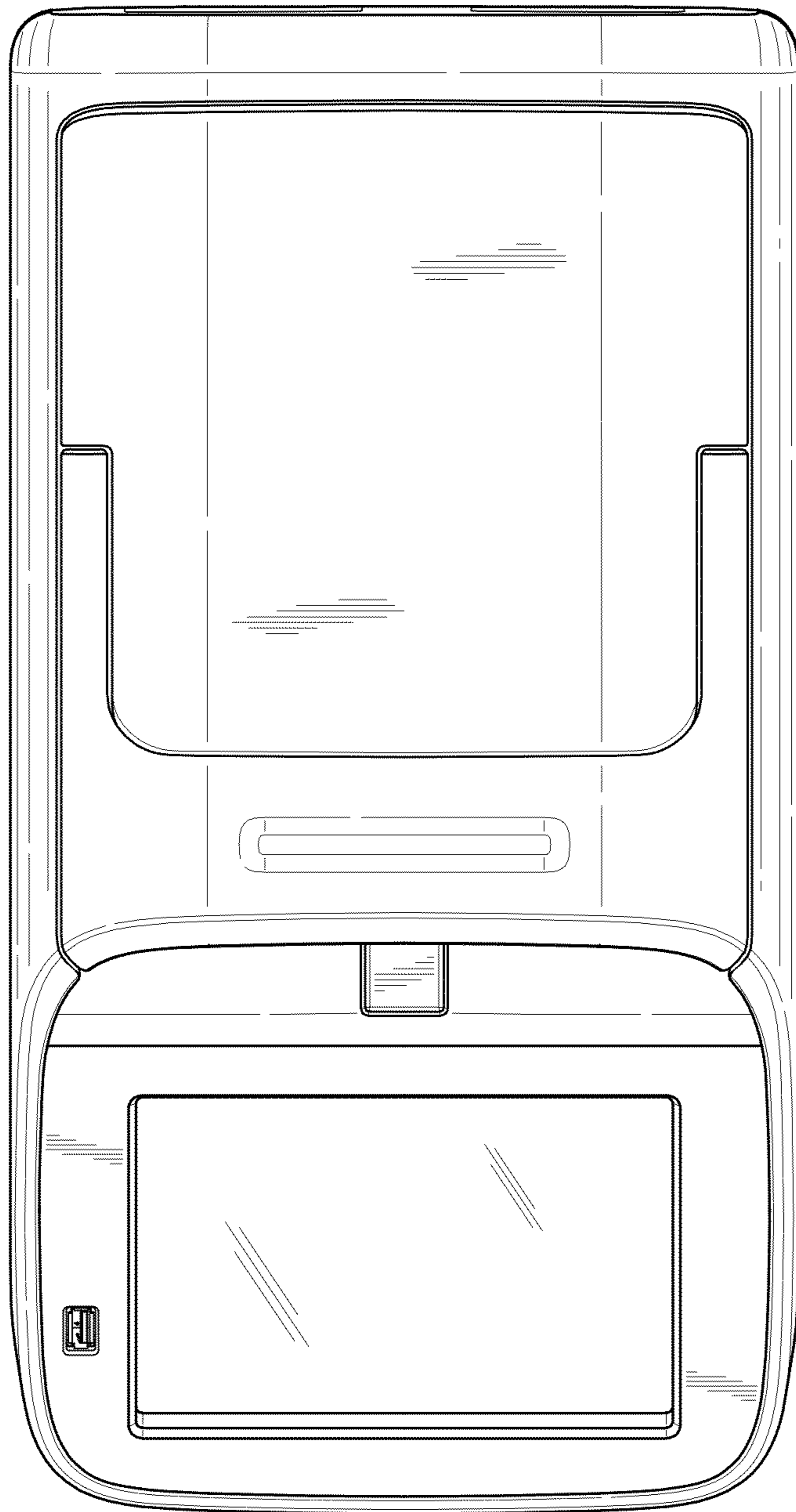


FIG. 6

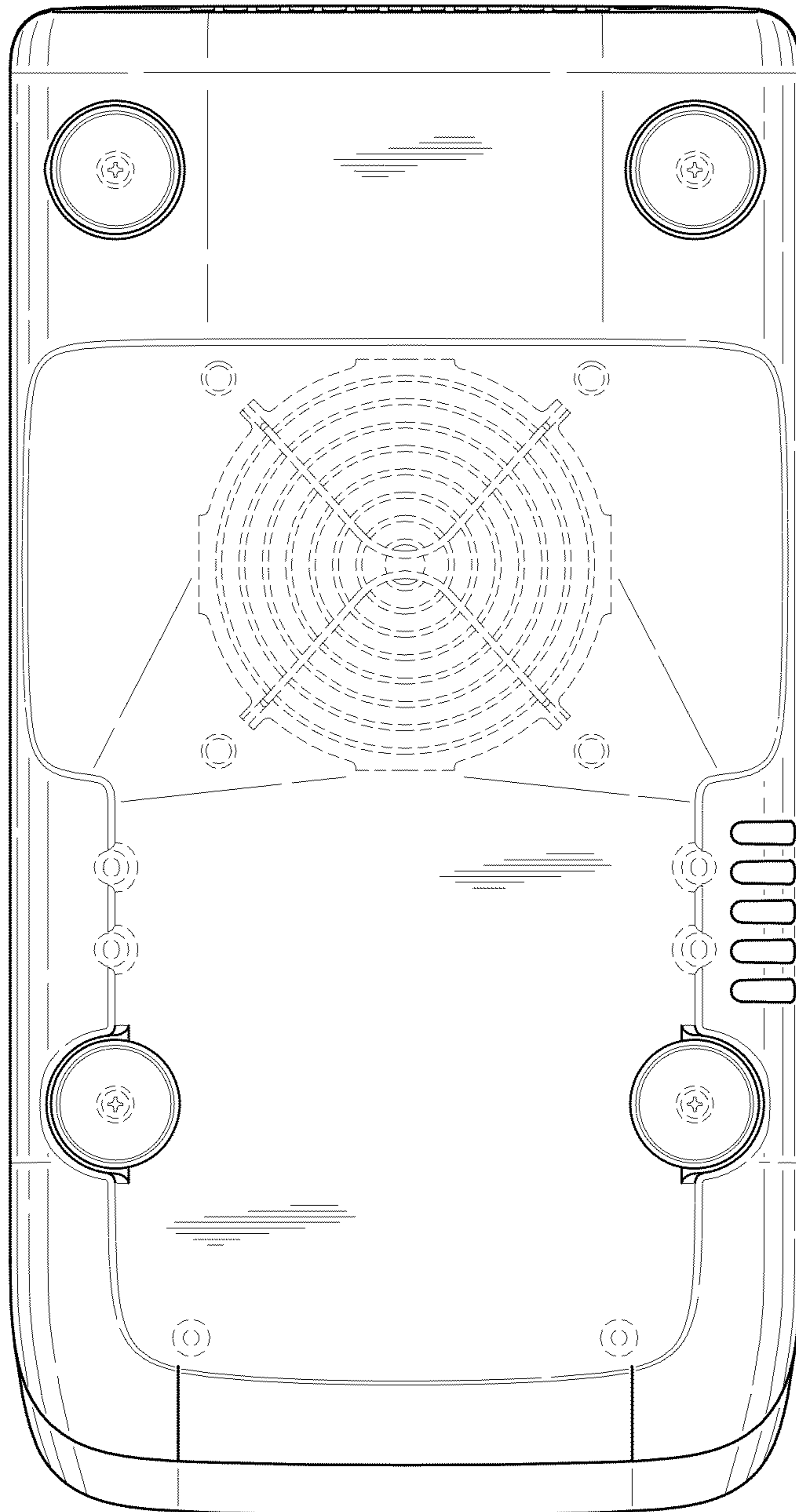


FIG. 7

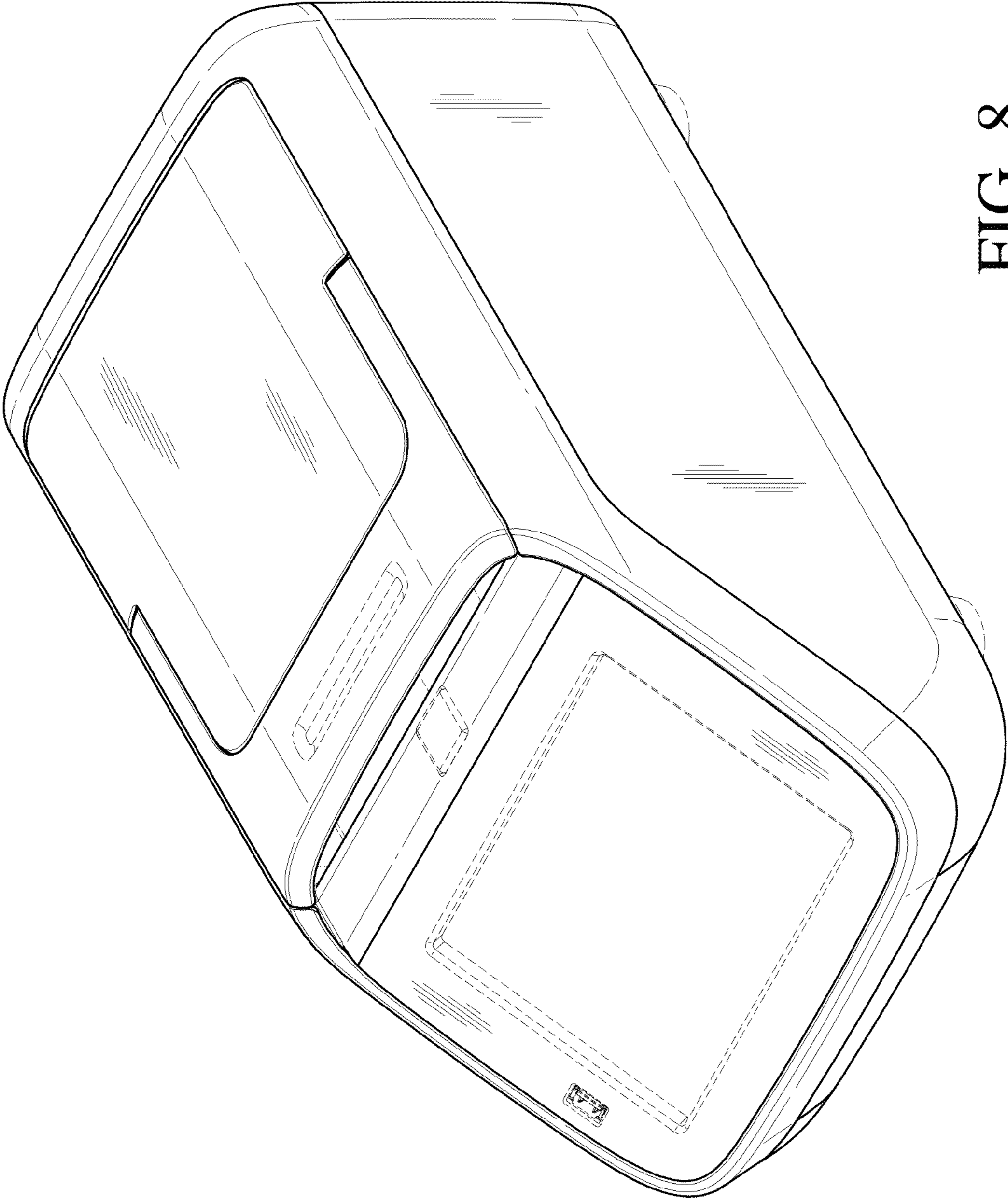


FIG. 8

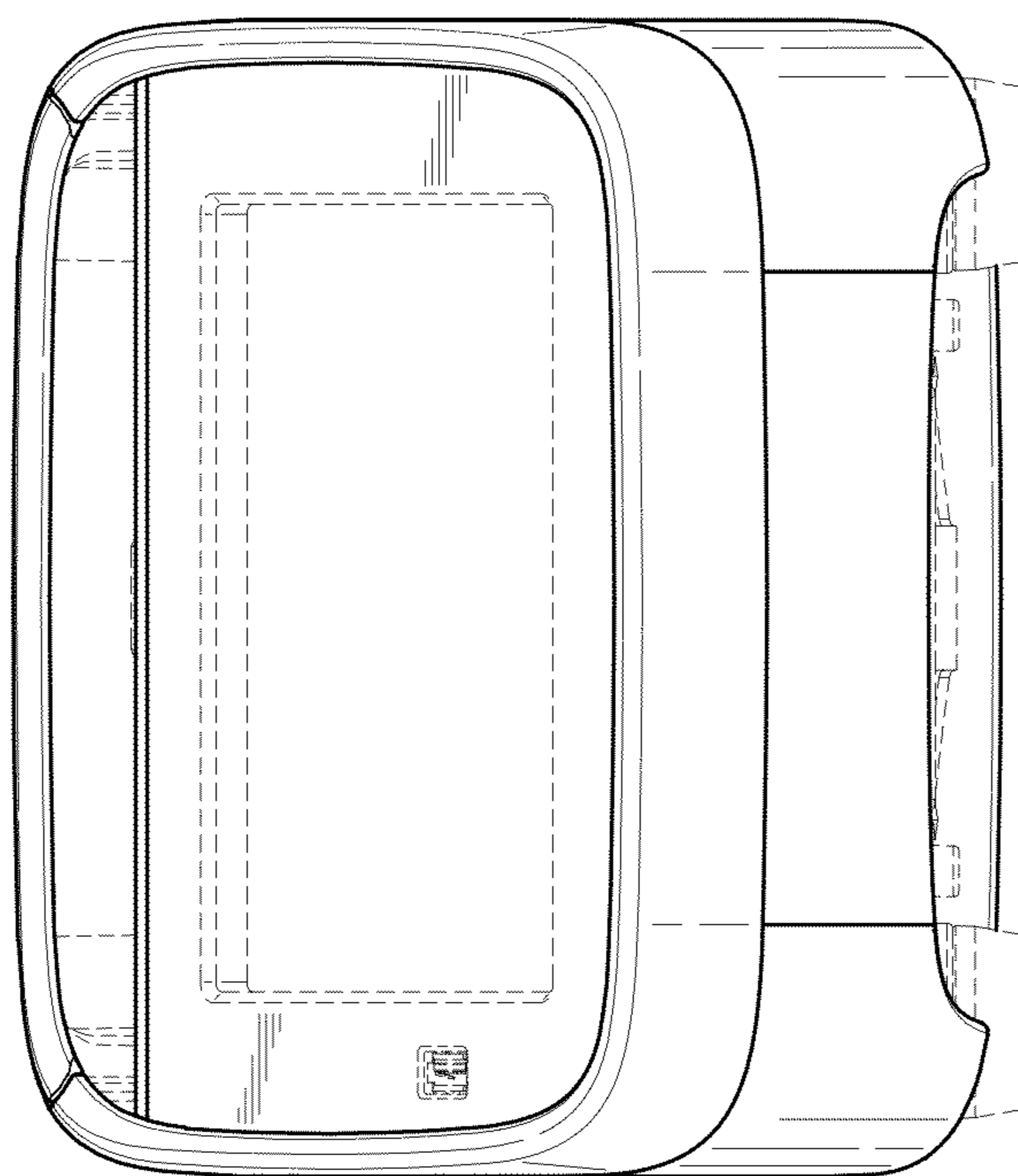


FIG. 9

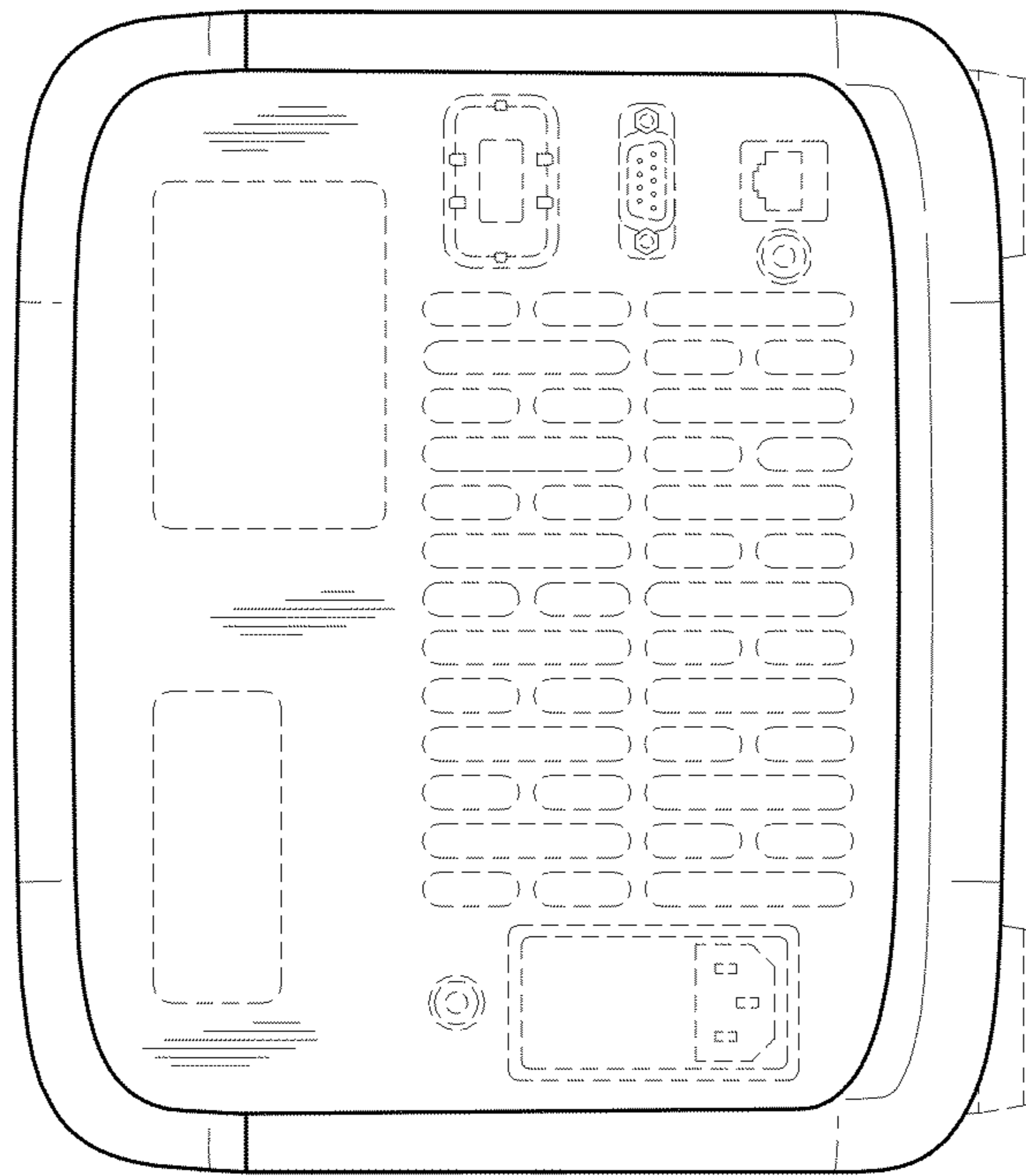


FIG. 10

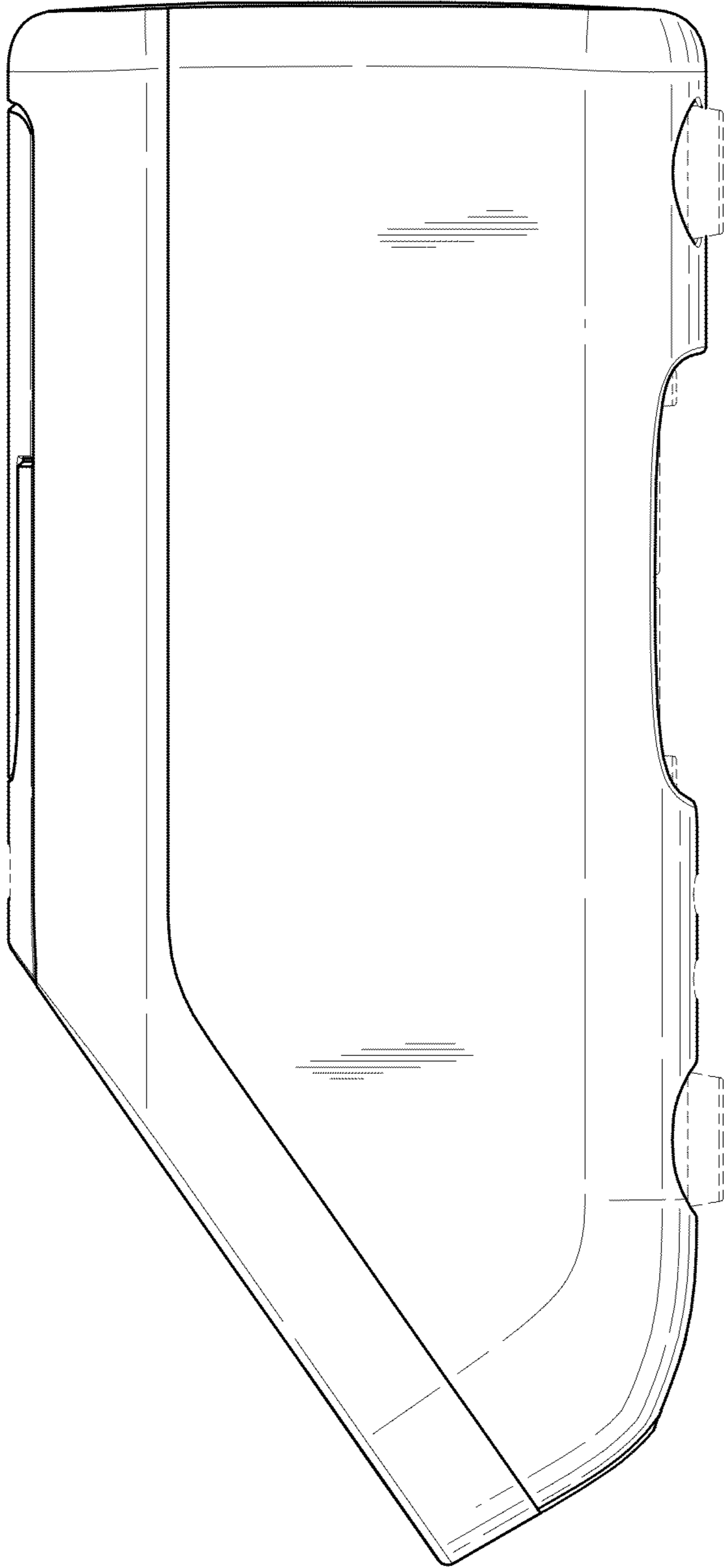


FIG. 11

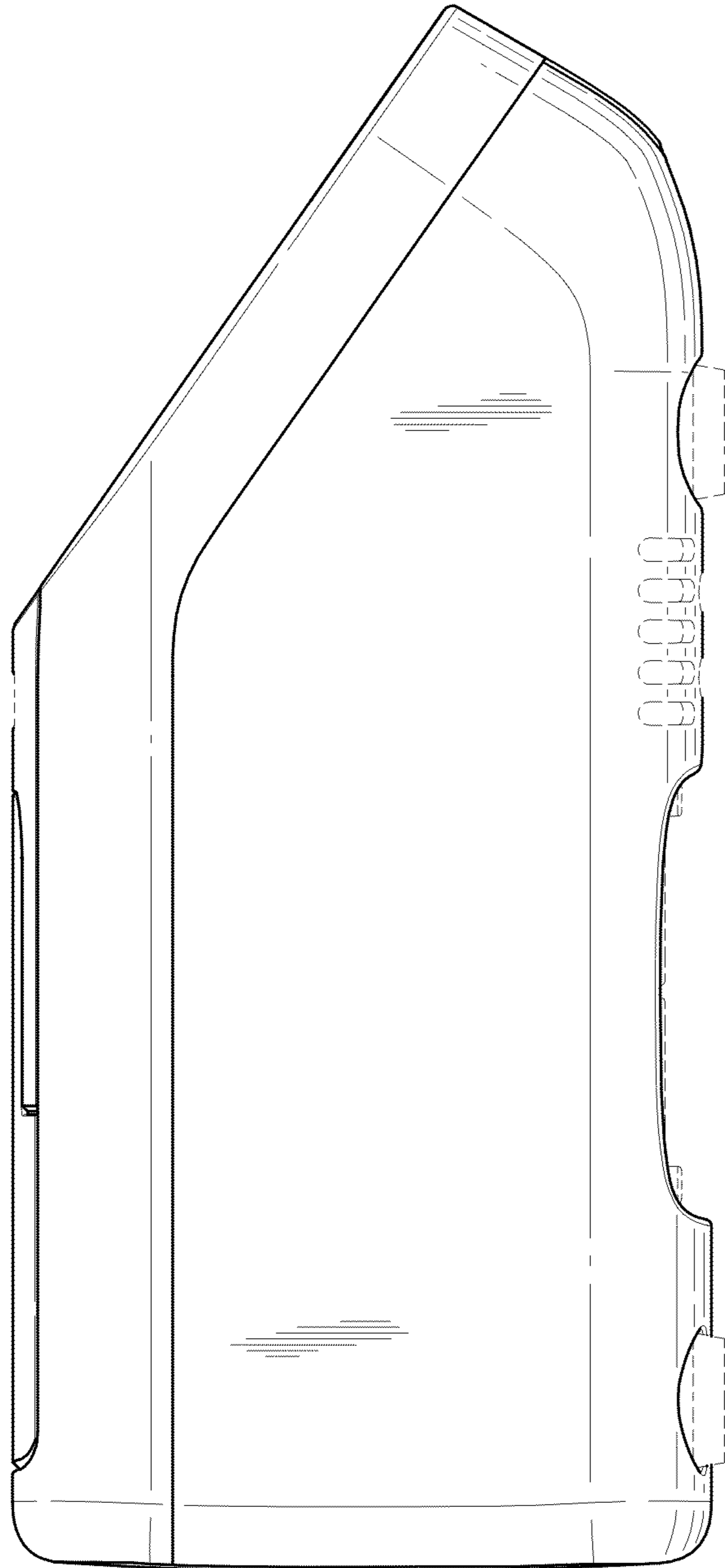


FIG. 12

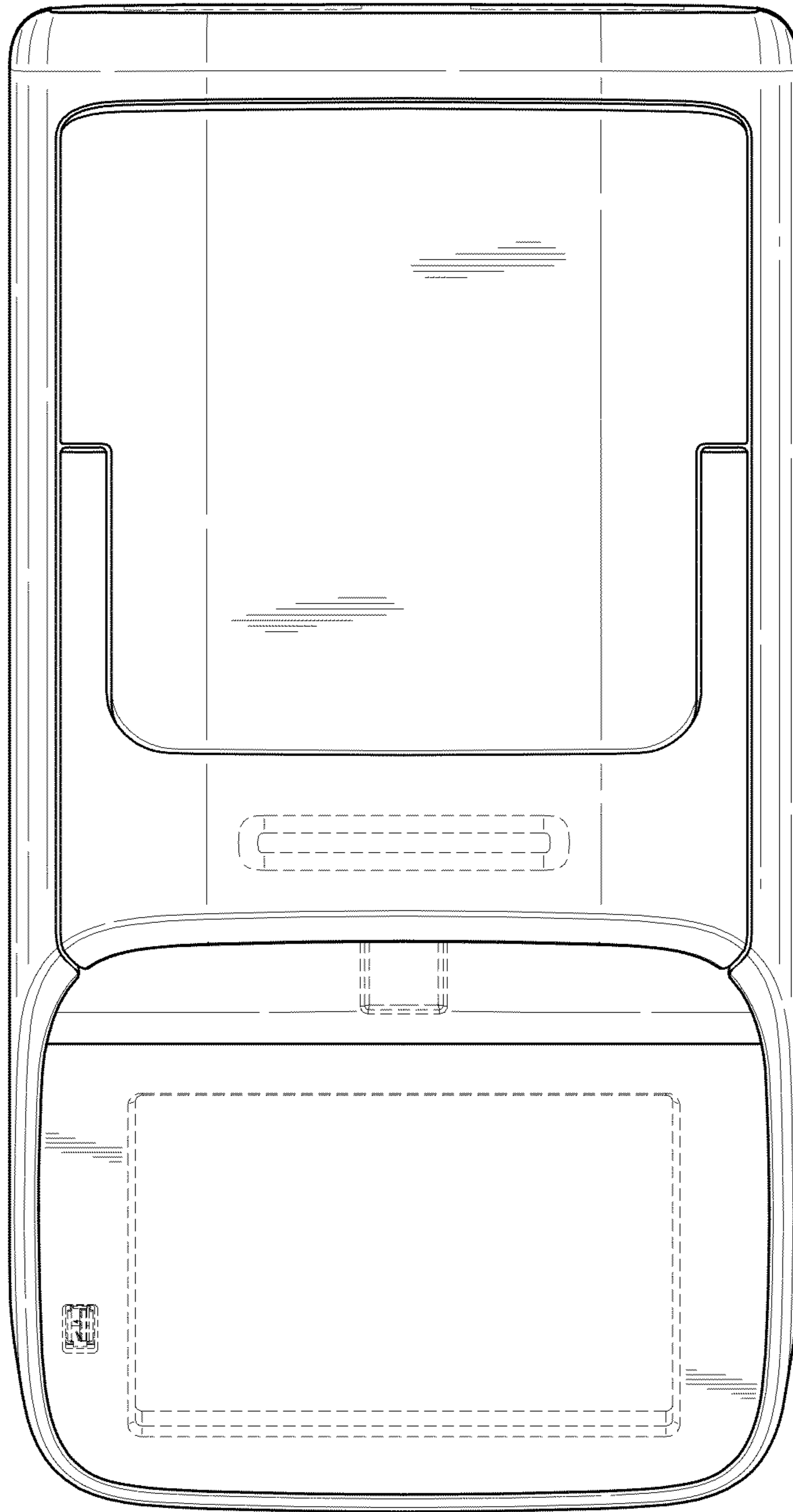


FIG. 13

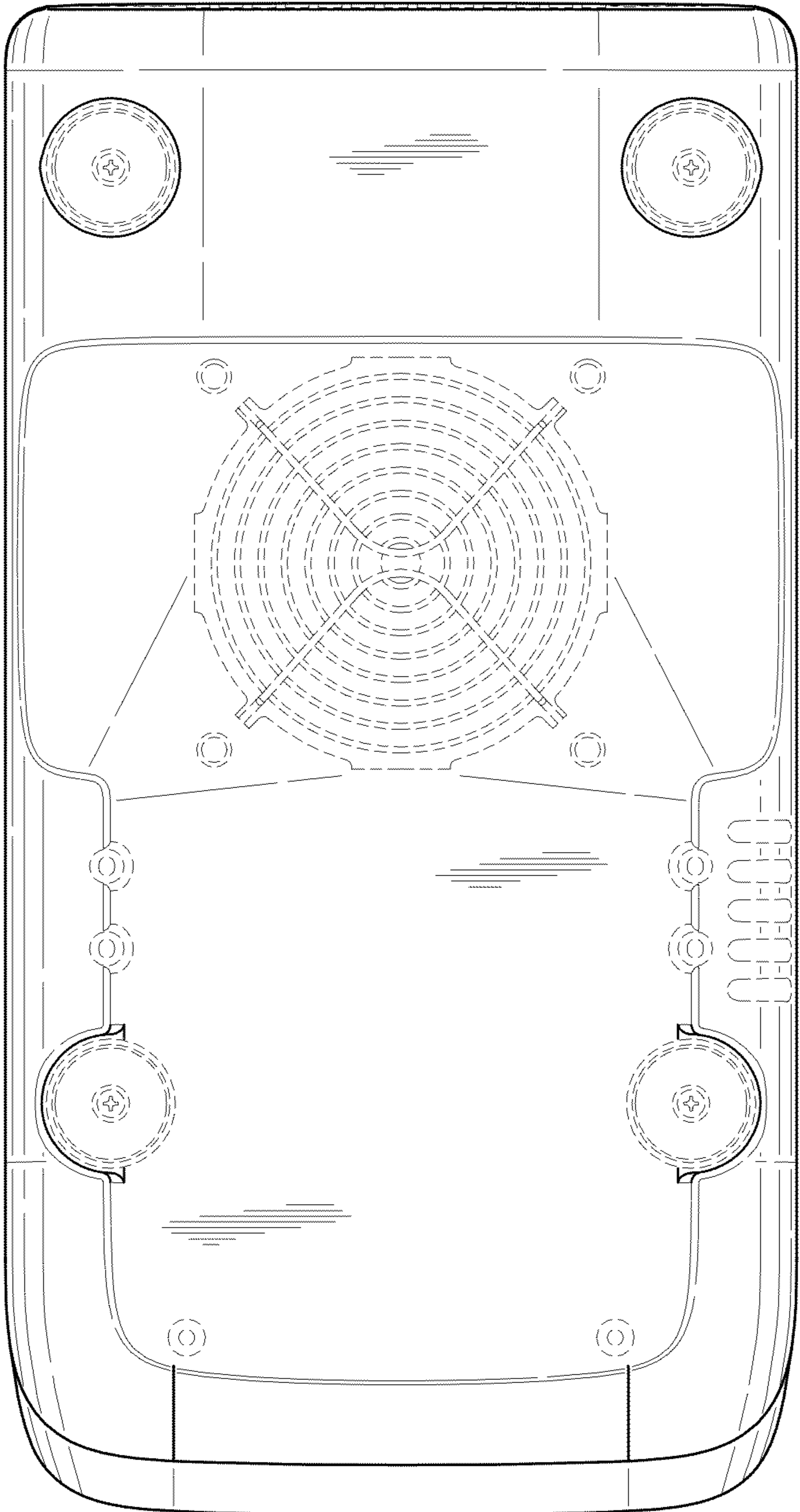


FIG. 14