



US00D733915S

(12) **United States Design Patent**
Stuyfzand et al.

(10) **Patent No.:** **US D733,915 S**
(45) **Date of Patent:** **** Jul. 7, 2015**

(54) **LIGHT THERAPY DEVICE**

(56) **References Cited**

(71) Applicant: **KONINKLIJKE PHILIPS**
ELECTRONICS N.V., Eindhoven (NL)

(72) Inventors: **Joseph Stuyfzand**, Eindhoven (NL);
Thomas Schaper, Rotterdam (NL)

(73) Assignee: **KONINKLIJKE PHILIPS N.V.**,
Eindhoven (NL)

(**) Term: **14 Years**

(21) Appl. No.: **29/454,460**

(22) Filed: **May 10, 2013**

(30) **Foreign Application Priority Data**

Nov. 12, 2012 (EM) 002134510-0001

(51) **LOC (10) Cl.** **24-00**

(52) **U.S. Cl.**
USPC **D24/231**

(58) **Field of Classification Search**
USPC D24/231, 210, 209, 200; D10/116.1;
128/898; 381/61; 600/28

See application file for complete search history.

U.S. PATENT DOCUMENTS

D263,954	S	*	4/1982	Stratman	D24/210
D396,855	S	*	8/1998	Barbeau et al.	D24/231
D399,320	S	*	10/1998	Barbeau et al.	D24/231
D447,434	S	*	9/2001	Cowan et al.	D10/116.1
D510,627	S	*	10/2005	Lomberg et al.	D24/209
D616,103	S	*	5/2010	Ford-Robertson	D24/200
D672,048	S	*	12/2012	Datema et al.	D24/210
8,453,651	B2	*	6/2013	Pederson et al.	128/898
8,638,950	B2	*	1/2014	Anderson et al.	381/61
2014/0179986	A1	*	6/2014	Kelley	600/28

* cited by examiner

Primary Examiner — Holly Baynham
Assistant Examiner — Rhea Shields

(57) **CLAIM**

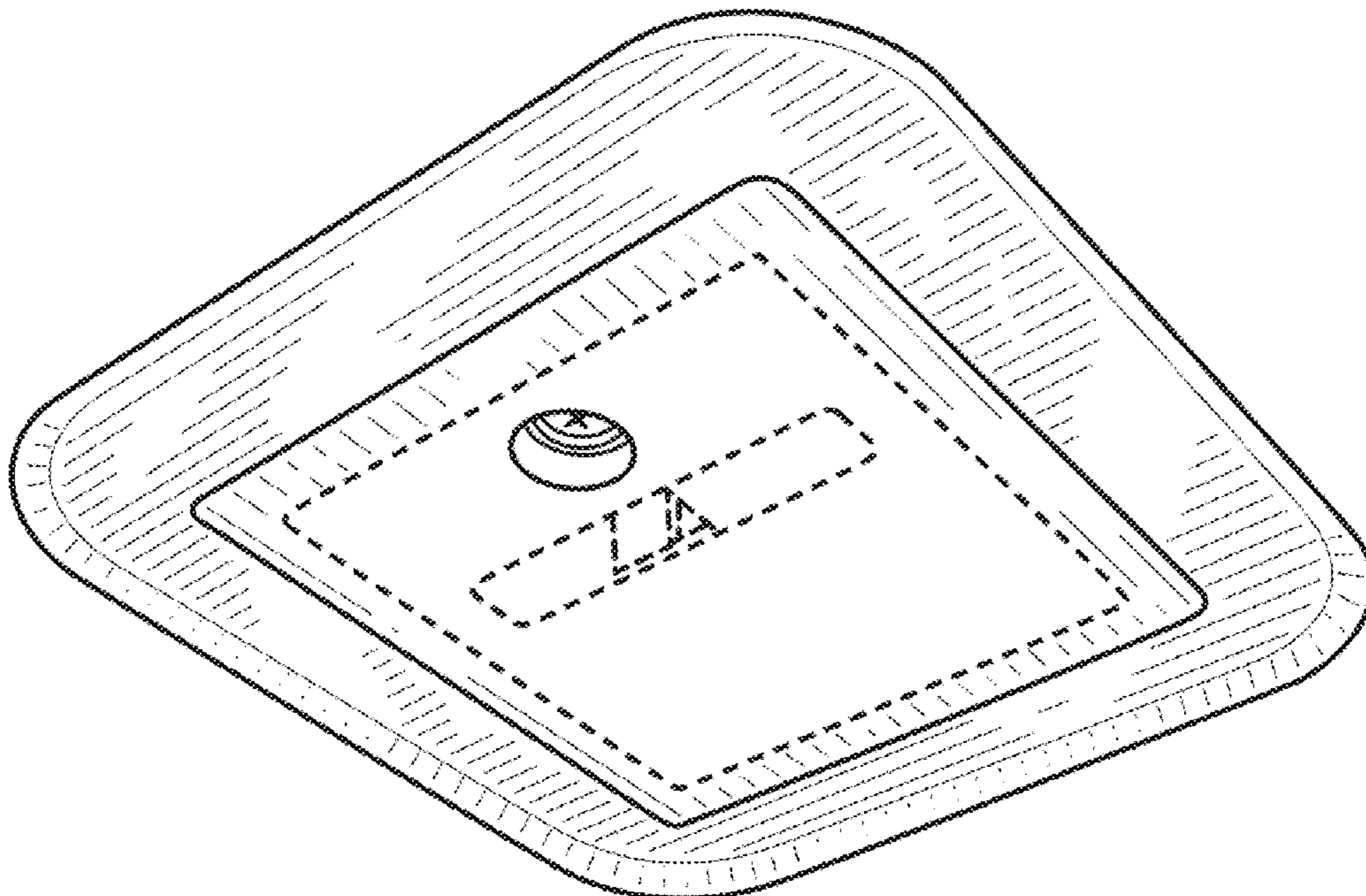
The ornamental design for a light therapy device, as shown and described.

DESCRIPTION

FIG. 1 is a bottom perspective view showing my design;
FIG. 2 is a front elevational view thereof;
FIG. 3 is a rear elevational view thereof;
FIG. 4 is a right side elevational view thereof;
FIG. 5 is a left side elevational view thereof;
FIG. 6 is a top plan view thereof; and,
FIG. 7 is a bottom plan view thereof.

The broken lines are included for the purpose of illustrating unclaimed portions of the light therapy device and form no part of the claimed design.

1 Claim, 3 Drawing Sheets



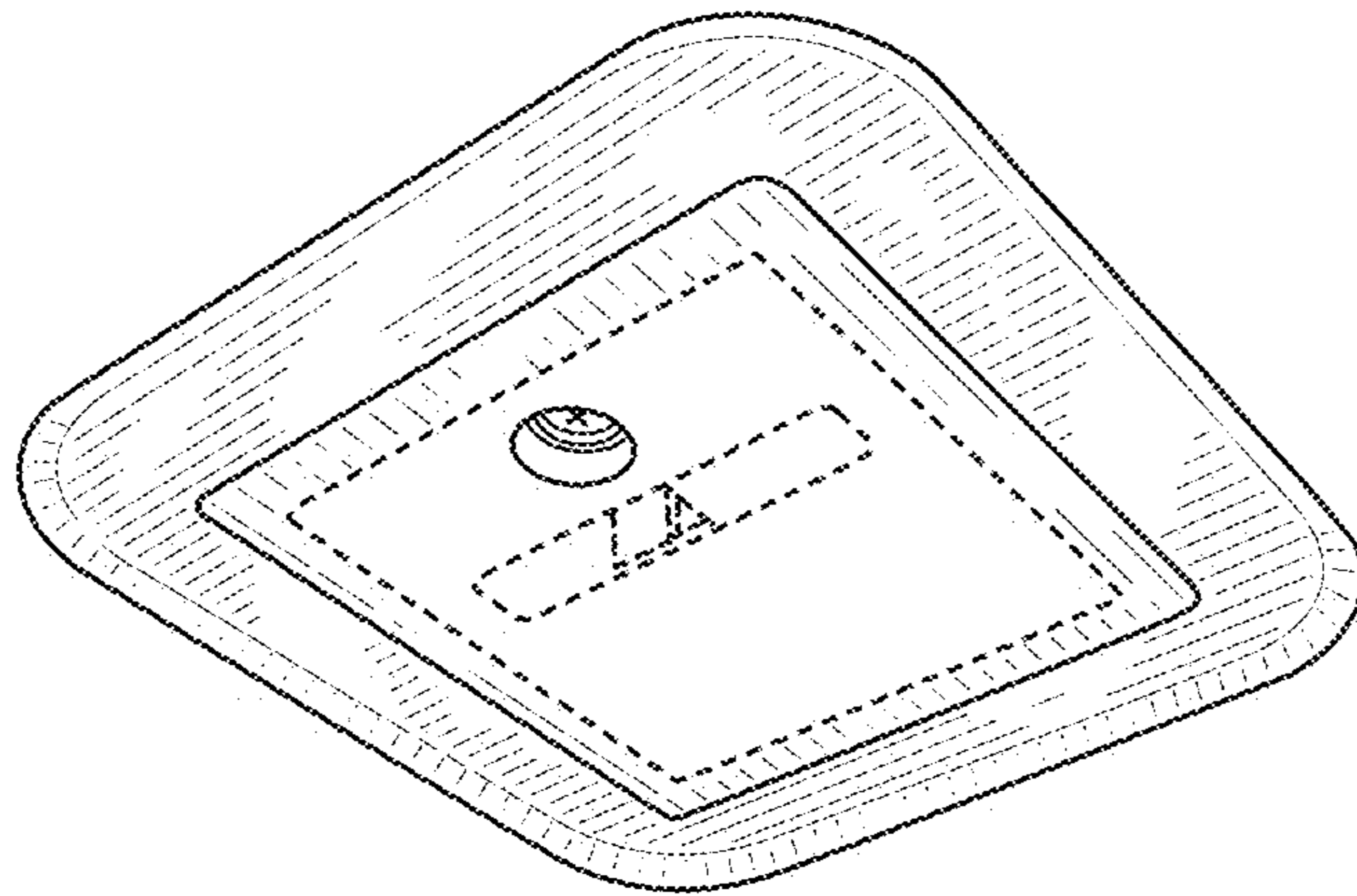


FIG. 1

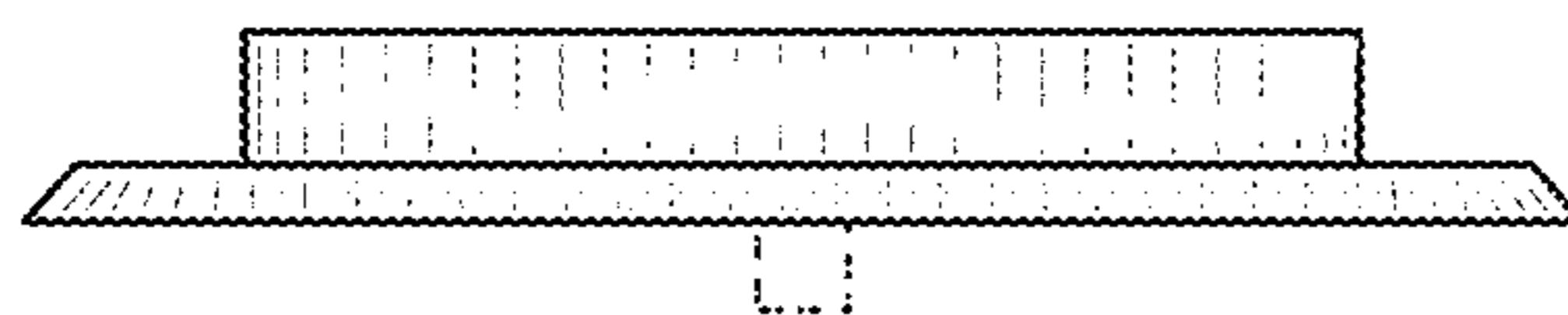


FIG. 2

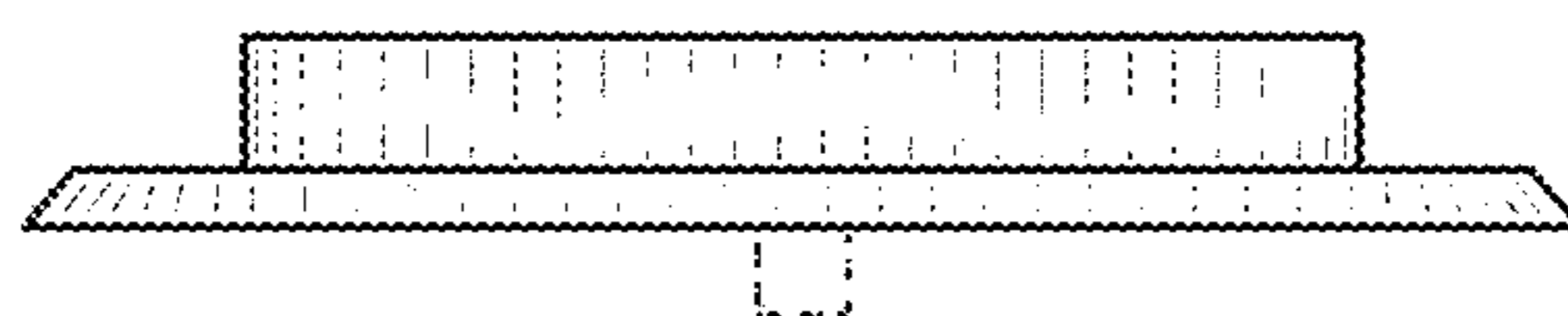


FIG. 3

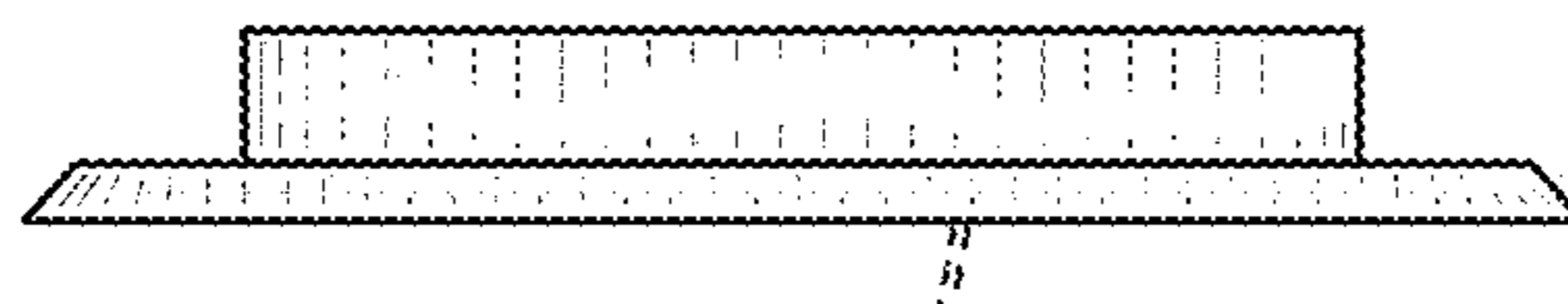


FIG. 4

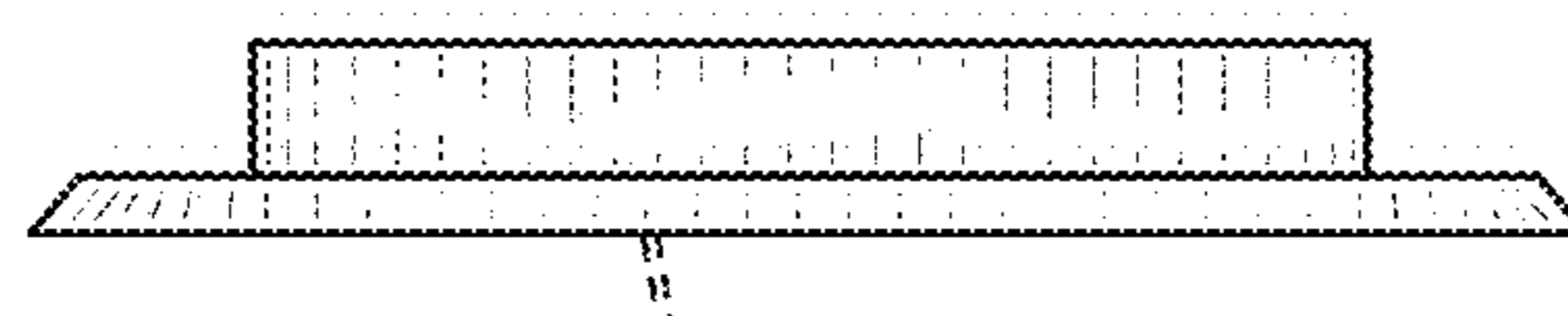


FIG. 5

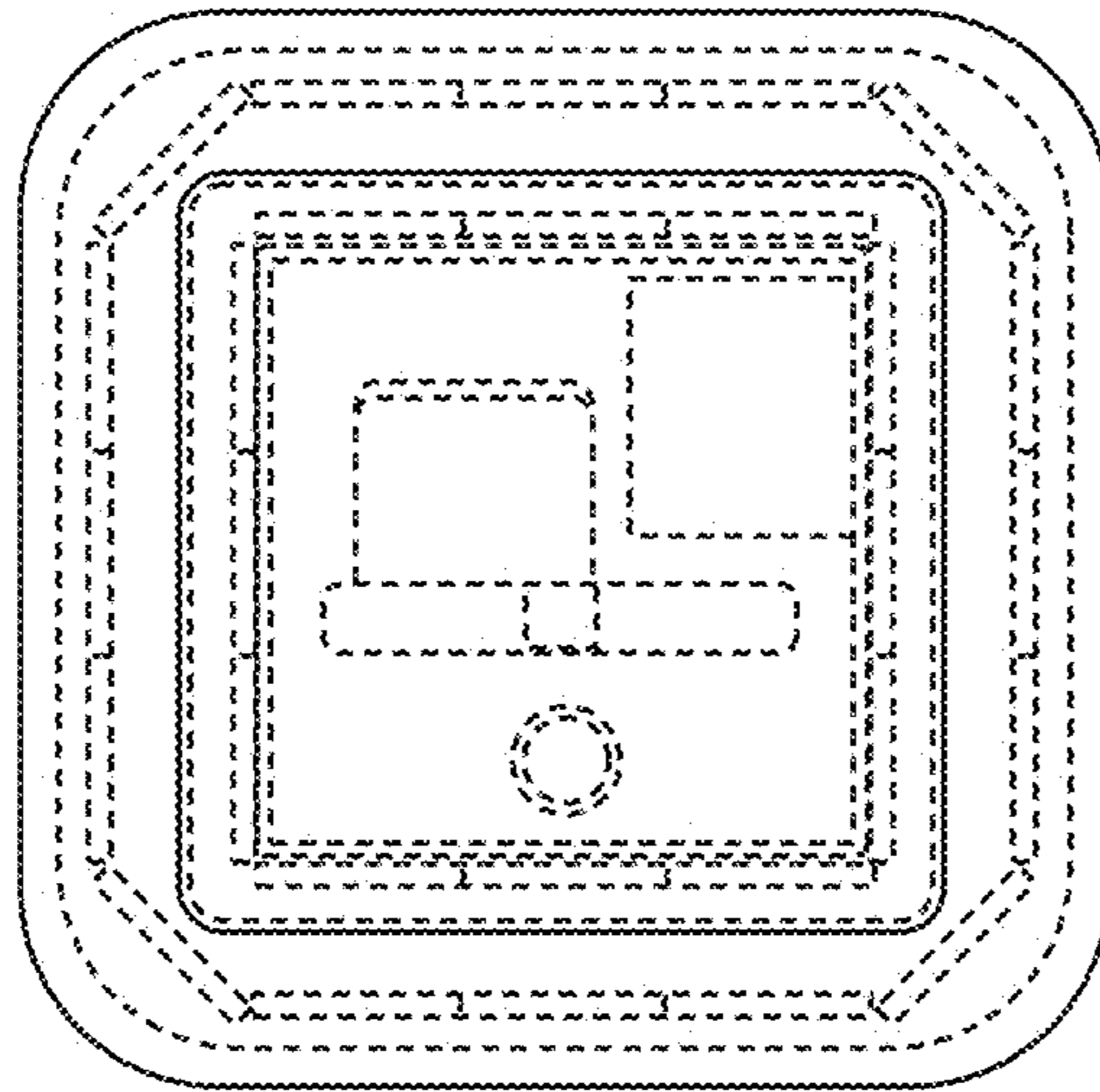


FIG. 6

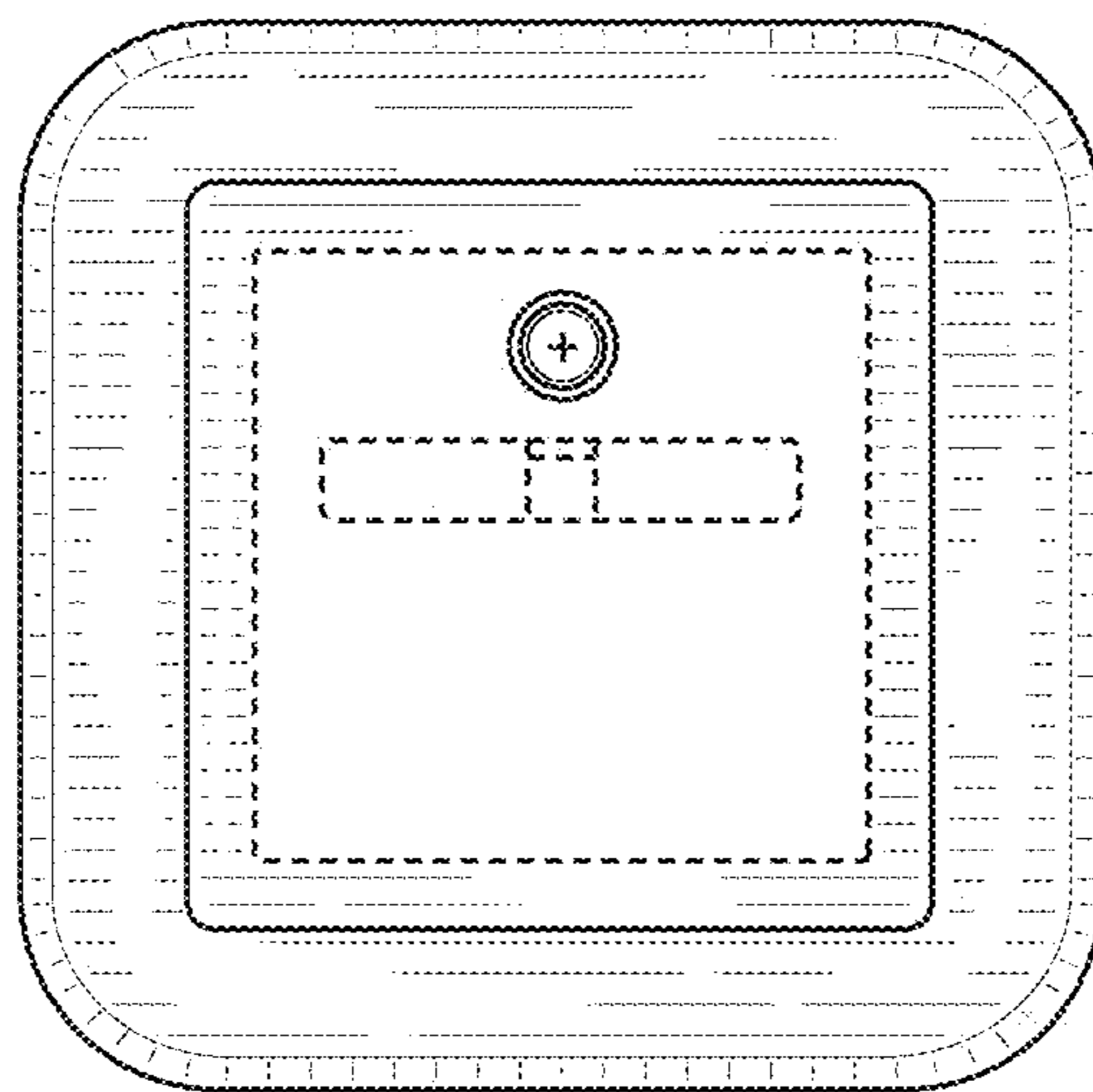


FIG. 7