



US00D733914S

(12) **United States Design Patent**
Neurauter et al.

(10) **Patent No.:** **US D733,914 S**
(45) **Date of Patent:** **** Jul. 7, 2015**

(54) **RACK DEVICE ASSEMBLY**

(75) Inventors: **Axl Neurauter**, Oslo (NO); **Berit Reed**,
Baerum (NO); **Karoline Schjetne**,
Lommedalen (NO); **Jeremy (“Jez”)**
Mundy, Fairford (GB); **Tine Hildisch**,
Oslo (NO)

(73) Assignee: **Life Technologies AS**, Oslo (NO)

(**) Term: **14 Years**

(21) Appl. No.: **29/420,890**

(22) Filed: **May 14, 2012**

(51) **LOC (10) Cl.** **24-02**

(52) **U.S. Cl.**
USPC **D24/229**

(58) **Field of Classification Search**

USPC D24/216, 224–232, 107; D9/737–738,
D9/756; 211/85.13, 74, 71.01; 422/500,
422/547–554, 560–566, 297, 300;
D3/203.1–203.8, 304, 313, 314;
206/443, 562–563; D6/468; 40/324;
600/556, 566

See application file for complete search history.

(56) **References Cited**

U.S. PATENT DOCUMENTS

D208,469	S	*	9/1967	Parker	D6/468
D220,040	S	*	3/1971	Carver	D24/230
D221,220	S	*	7/1971	Emmitt	D24/227
D247,822	S	*	5/1978	Hein et al.	D24/230
D250,348	S	*	11/1978	Frangiosa et al.	D24/230
D333,522	S	*	2/1993	Gianino	D24/229
D333,523	S	*	2/1993	Gianino	D24/229
D367,714	S	*	3/1996	Pennicook	D24/223
D420,747	S	*	2/2000	Dumitrescu et al.	D24/227
D437,060	S	*	1/2001	Mayer	D24/217
6,193,892	B1	*	2/2001	Krueger et al.	422/561
D500,363	S	*	12/2004	Fanning et al.	D24/229
7,000,785	B2	*	2/2006	Jafari et al.	211/74
D560,817	S	*	1/2008	Qian et al.	D24/229
D595,423	S	*	6/2009	Johansson et al.	D24/229
7,922,672	B2	*	4/2011	Hein et al.	600/566

D637,709	S	*	5/2011	Brede et al.	D24/107
8,182,763	B2	*	5/2012	Duffy et al.	422/500
D679,831	S	*	4/2013	Greenizen et al.	D24/227
D683,046	S	*	5/2013	Yin et al.	D24/230
D686,337	S	*	7/2013	Tarunina et al.	D24/224
2005/0072030	A1	*	4/2005	Wu	40/324
2007/0299361	A1	*	12/2007	Hein et al.	600/556

* cited by examiner

Primary Examiner — T. Chase Nelson

Assistant Examiner — Mark Cavanna

(74) *Attorney, Agent, or Firm* — Life Technologies AS

(57) **CLAIM**

The ornamental design for an rack device assembly, as shown and described.

DESCRIPTION

FIG. 1 is a front and side perspective view of the Stand Portion of the rack device assembly shown separately for clarity of illustration, showing our new design;

FIG. 2 is a front view thereof;

FIG. 3 is a back view thereof;

FIG. 4 is a right side view thereof;

FIG. 5 is a left side view thereof;

FIG. 6 is a top view thereof;

FIG. 7 is a bottom view thereof;

FIG. 8 is a front and side perspective view of the Rack Portion of the rack device assembly attached to the Stand Portion of the rack device assembly;

FIG. 9 is a front view thereof;

FIG. 10 is a back view thereof;

FIG. 11 is a right side view thereof;

FIG. 12 is a left side view thereof;

FIG. 13 is a top view thereof;

FIG. 14 is a bottom view thereof;

FIG. 15 is a front and side perspective view of the Rack Portion of the rack device assembly shown separately for clarity of illustration;

FIG. 16 is a front view thereof;

FIG. 17 is a back view thereof;

FIG. 18 is a right side view thereof;

FIG. 19 is a left side view thereof;

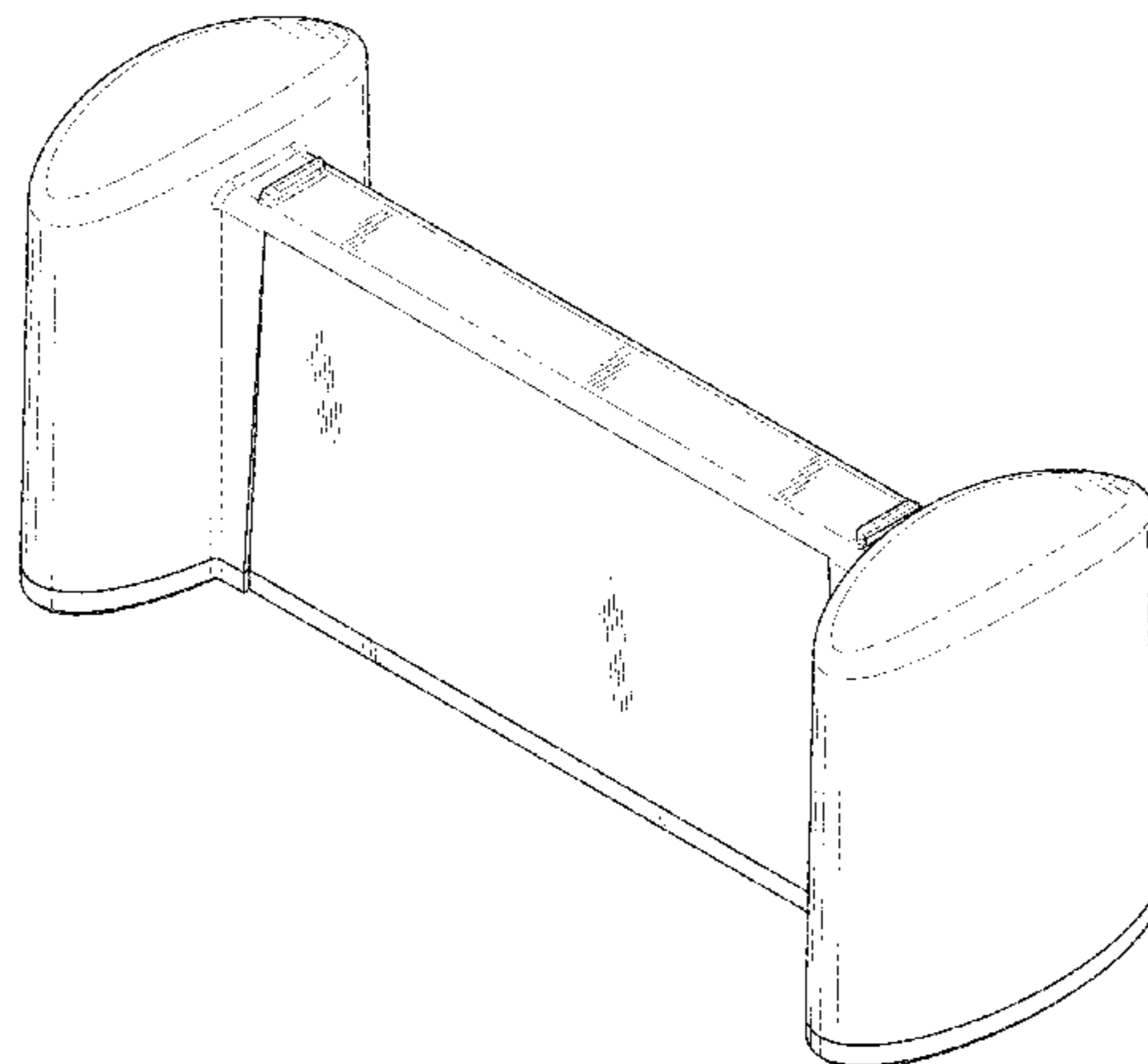


FIG. 20 is a top view thereof;
FIG. 21 is a bottom view thereof;
FIG. 22 is a front and side perspective view of the Clip Portion of the rack device assembly attached to the Rack Portion of the rack device assembly;
FIG. 23 is a front view thereof;
FIG. 24 is a back view thereof;
FIG. 25 is a right side view thereof;
FIG. 26 is a left side view thereof;
FIG. 27 is a top view thereof;
FIG. 28 is a bottom view thereof;
FIG. 29 is a front and side perspective view of the Clip Portion of the rack device assembly shown separately for clarity of illustration;
FIG. 30 is a front view thereof;
FIG. 31 is a back view thereof;
FIG. 32 is a right side view thereof;

FIG. 33 is a left side view thereof;
FIG. 34 is a top side view thereof;
FIG. 35 is a bottom view thereof;
FIG. 36 is a front and side perspective view of the assembled rack device assembly;
FIG. 37 is a front view thereof;
FIG. 38 is a back view thereof;
FIG. 39 is a right side view thereof;
FIG. 40 is a left side view thereof;
FIG. 41 is a top side view thereof; and,
FIG. 42 is a bottom view thereof.

The bottom view of our design and the portions depicted in broken lines are not part of the claimed design.

A new ornamental design for a rack device is described and illustrated herein.

1 Claim, 36 Drawing Sheets

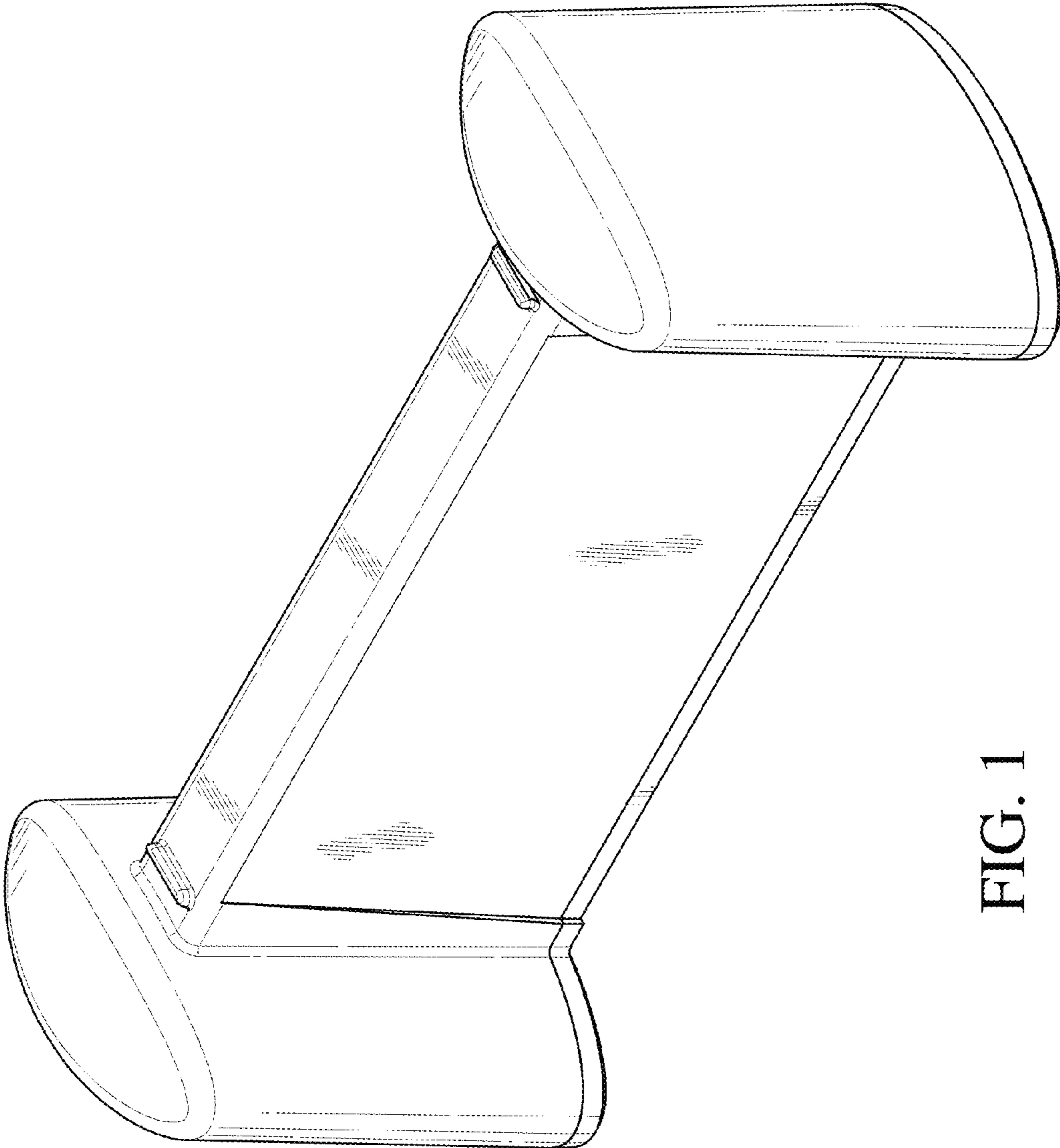


FIG. 1

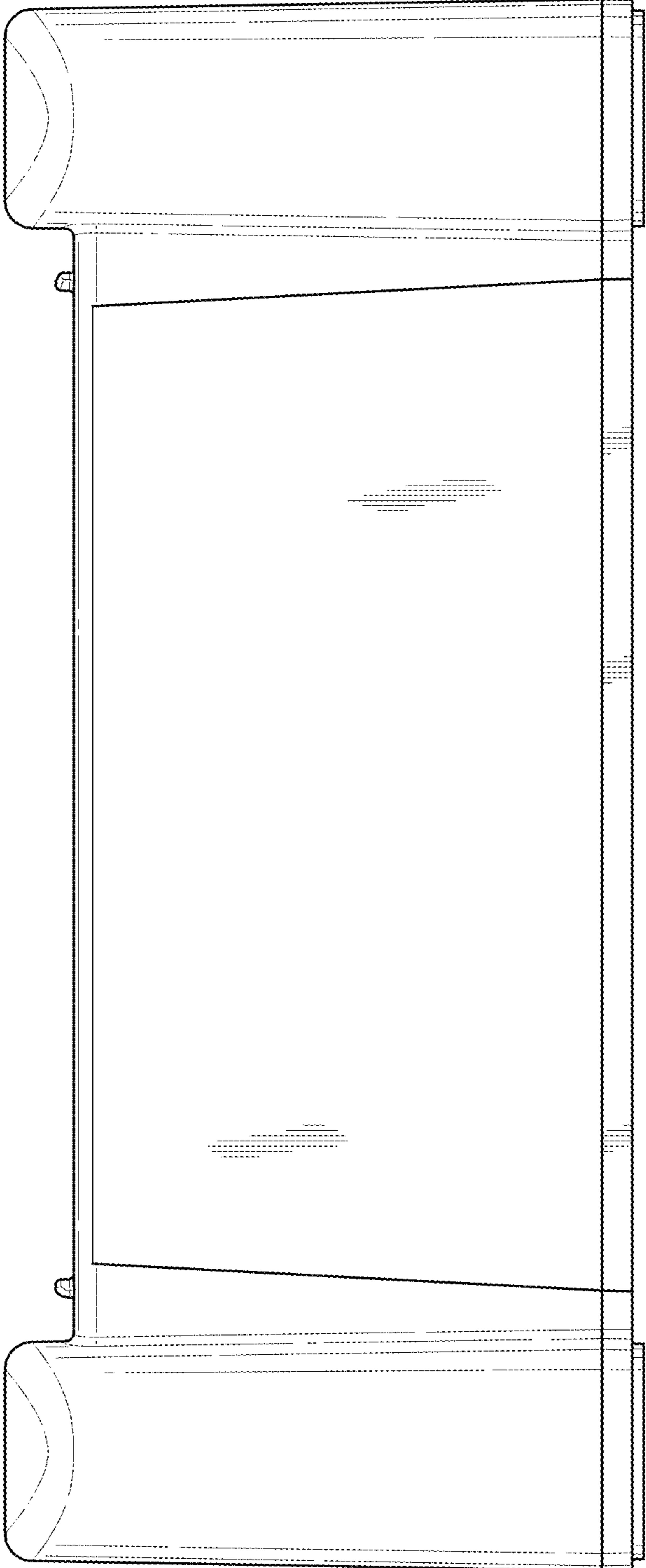


FIG. 2

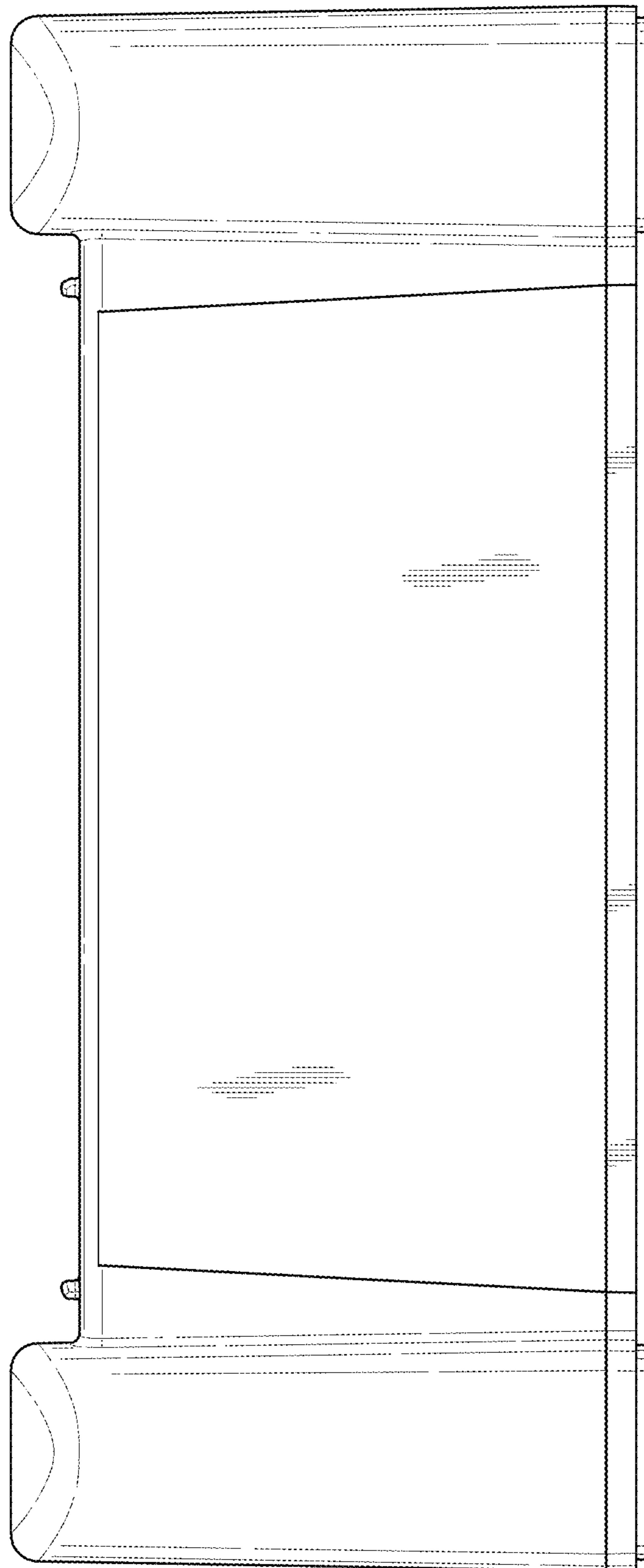


FIG. 3

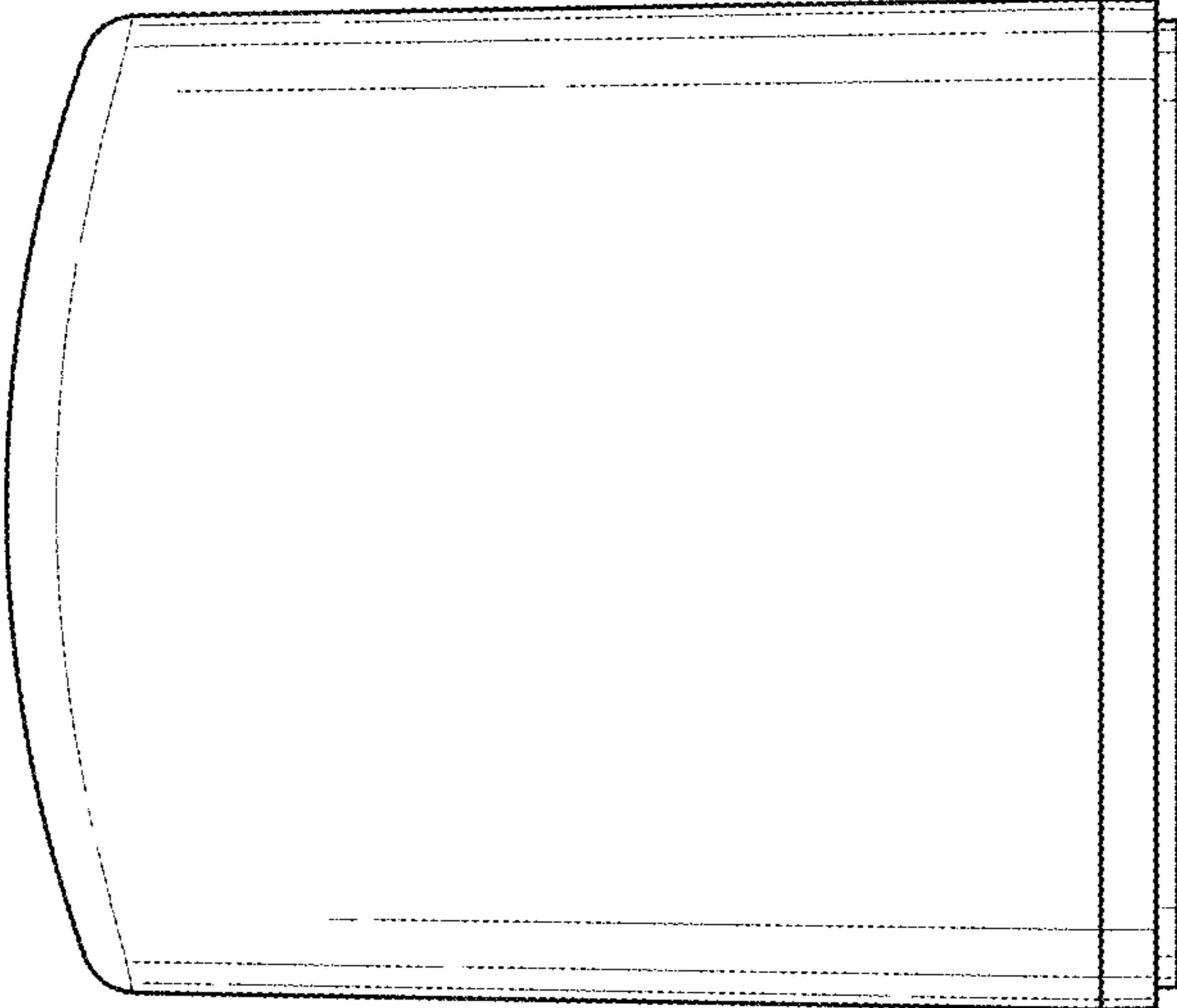


FIG. 5

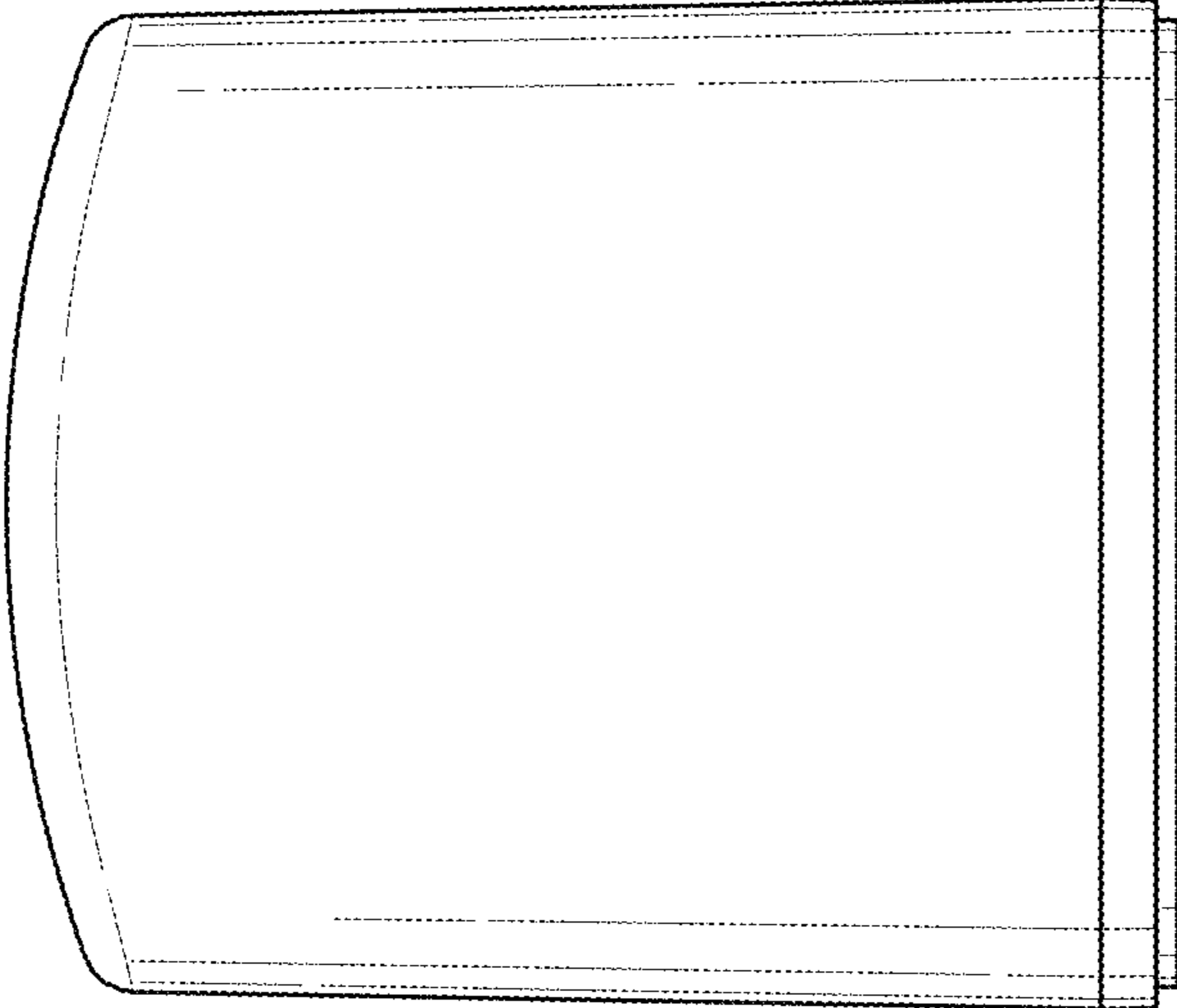


FIG. 4

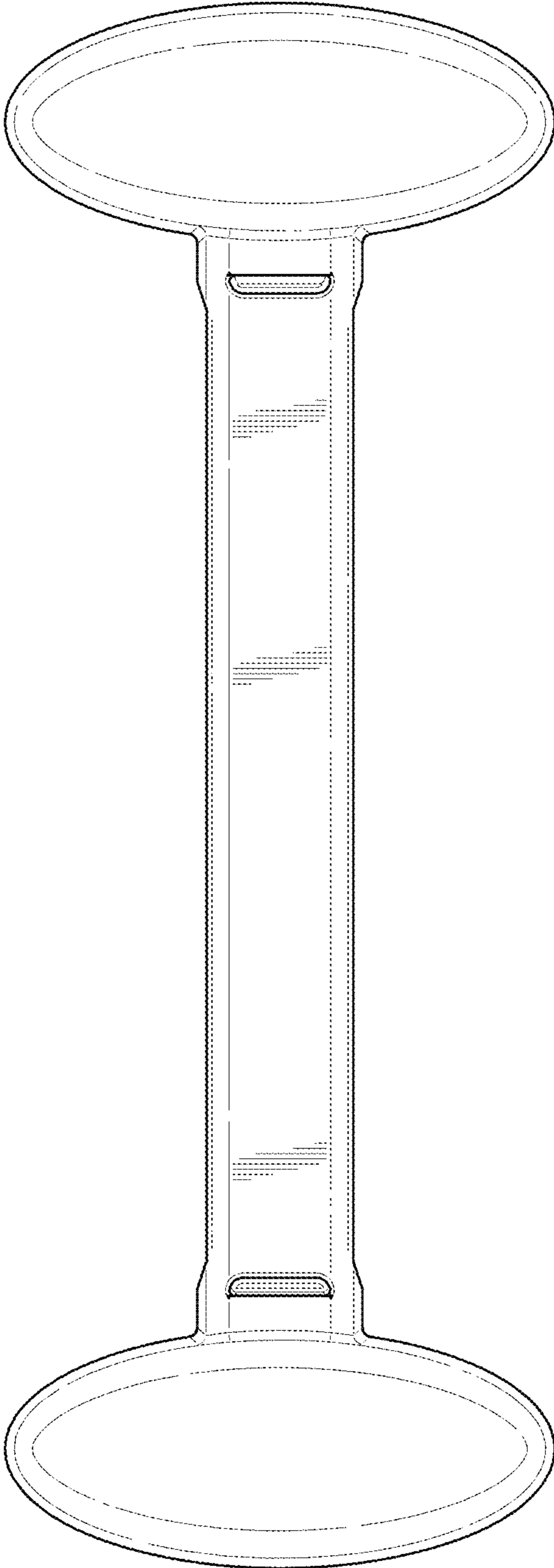


FIG. 6

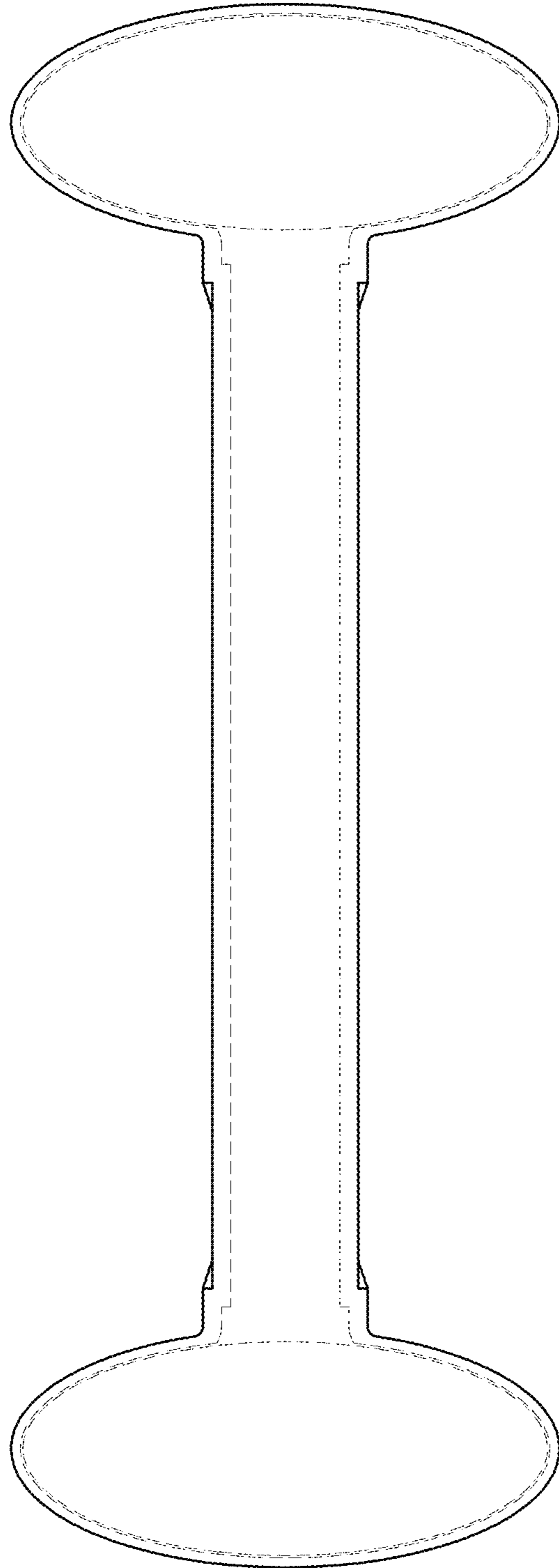


FIG. 7

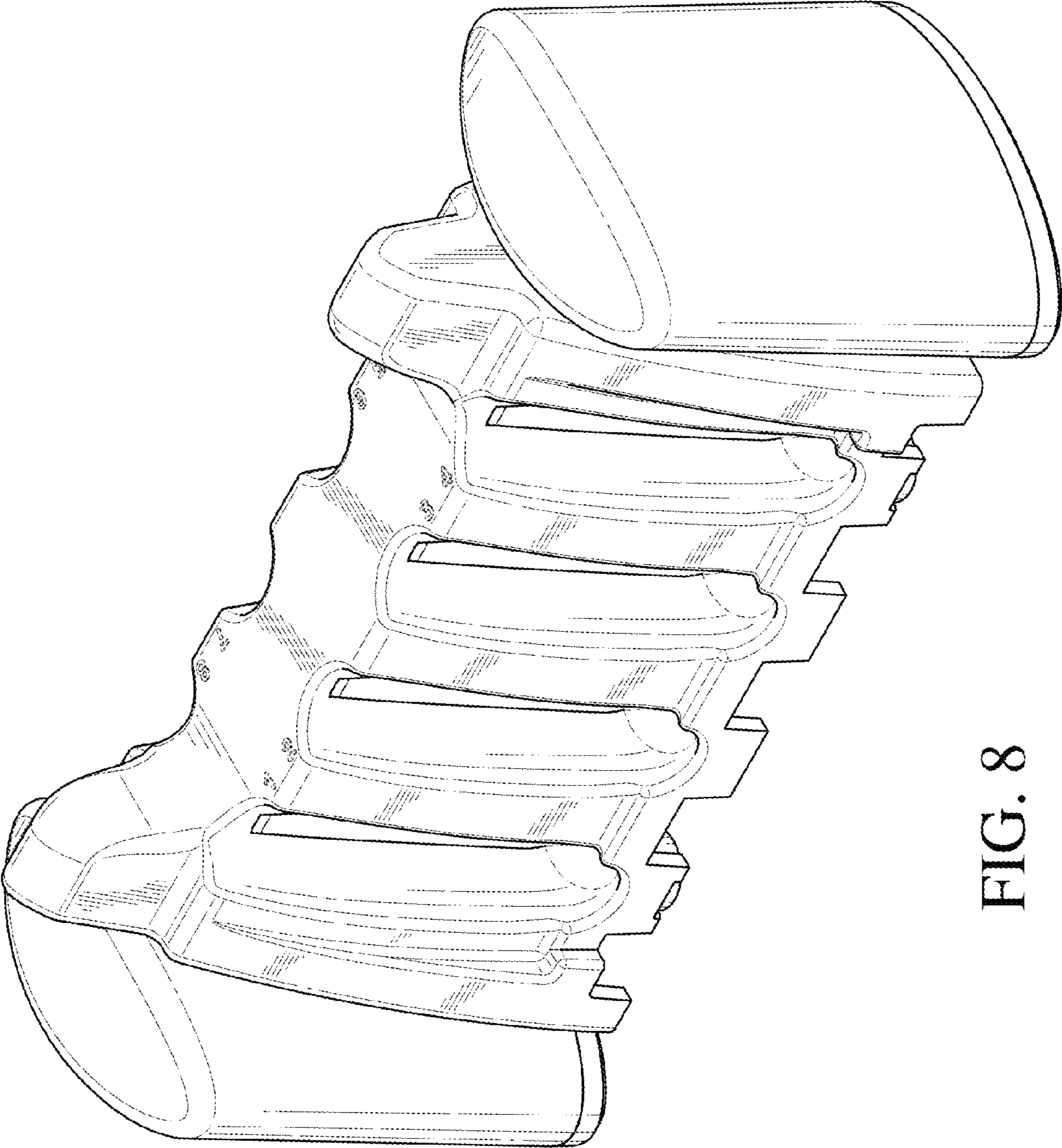


FIG. 8

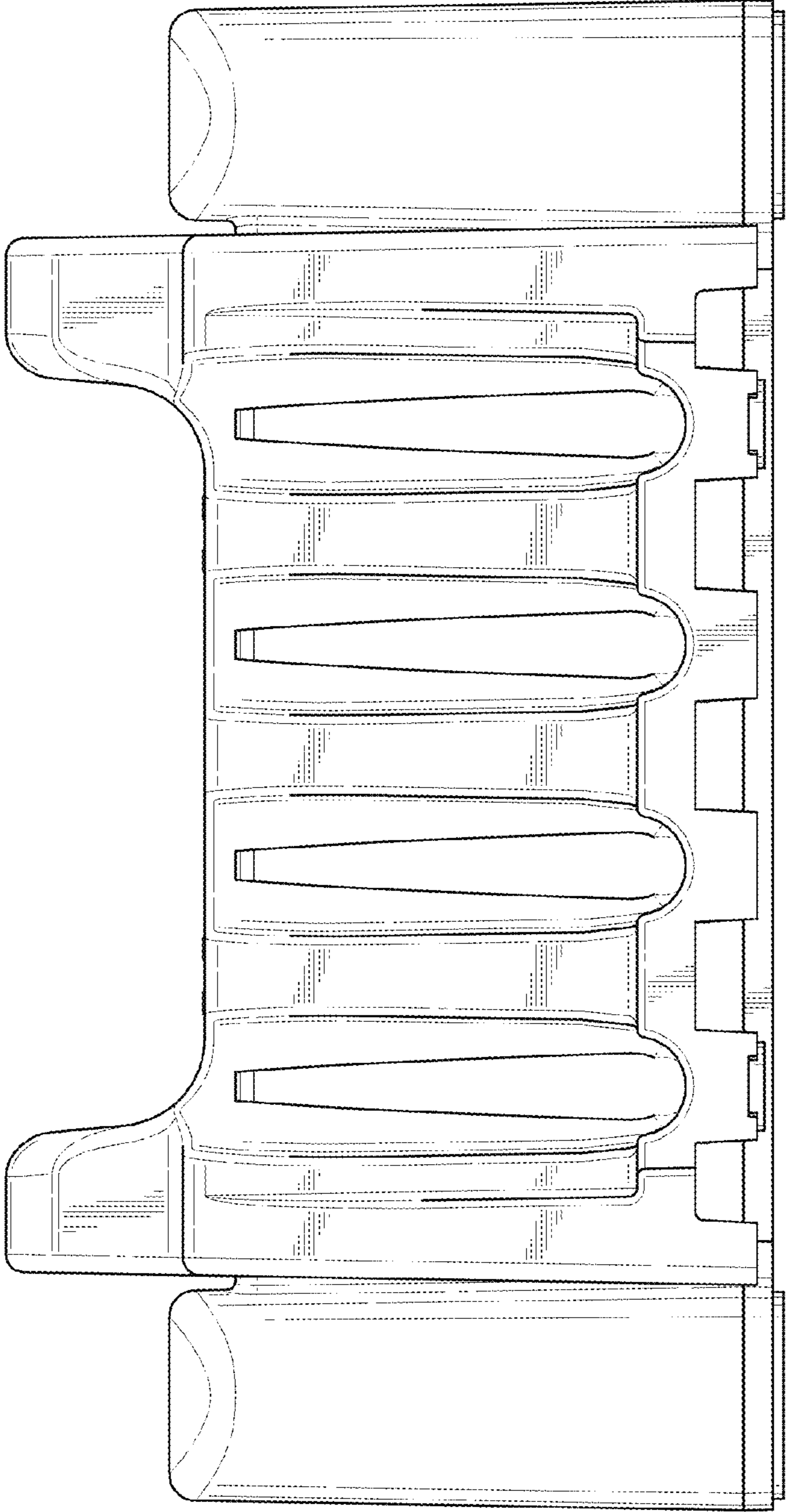


FIG. 9

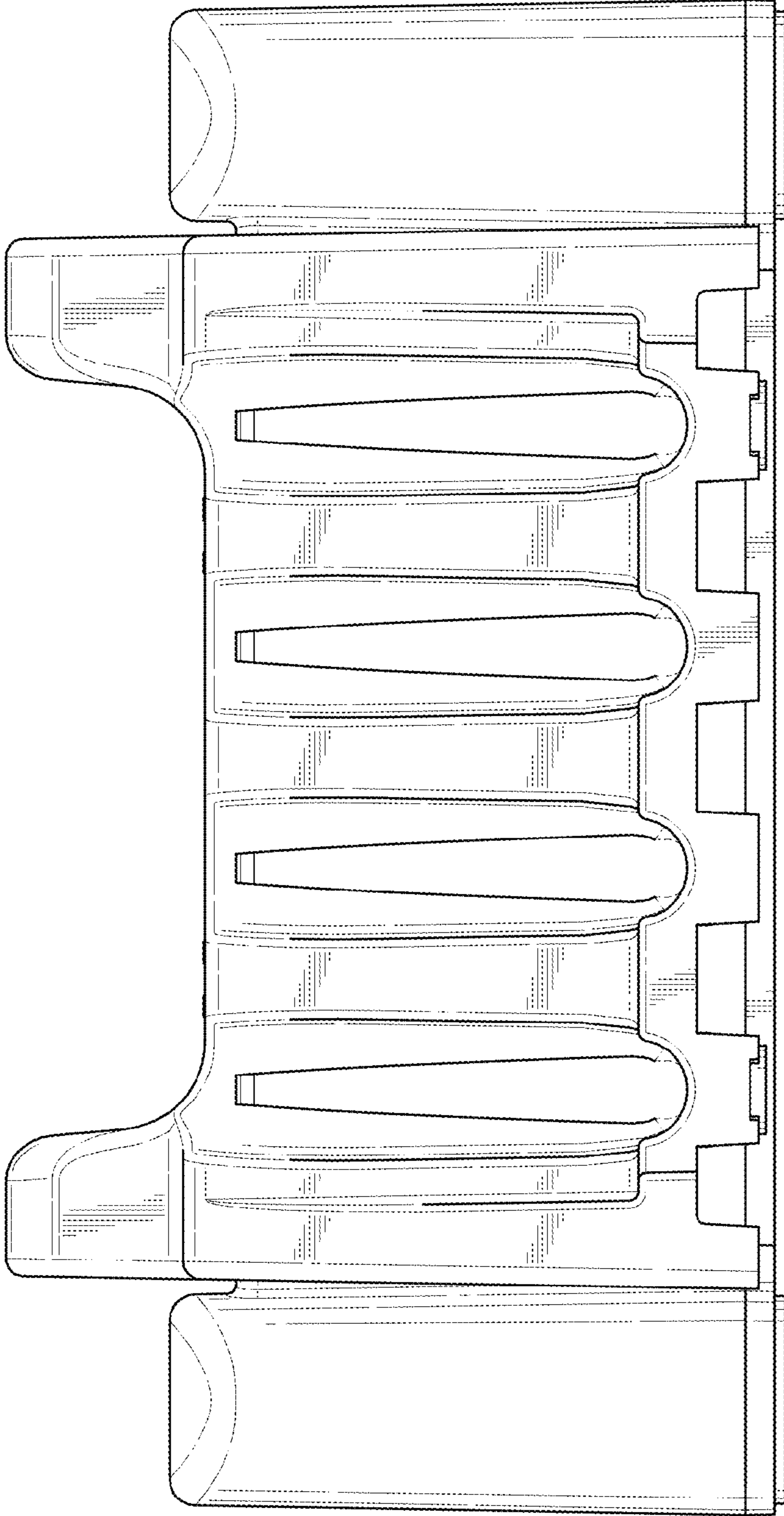


FIG. 10

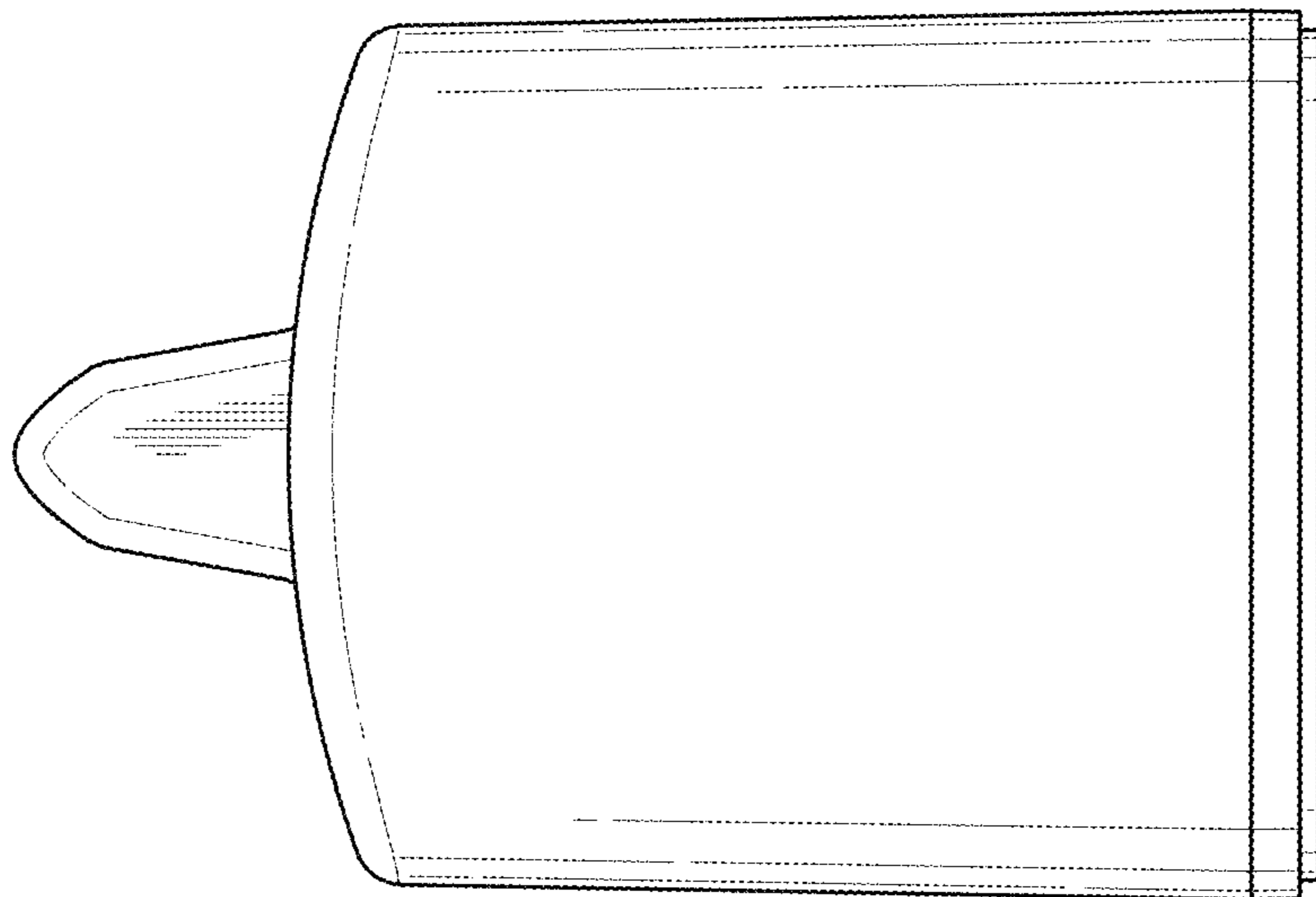


FIG. 11

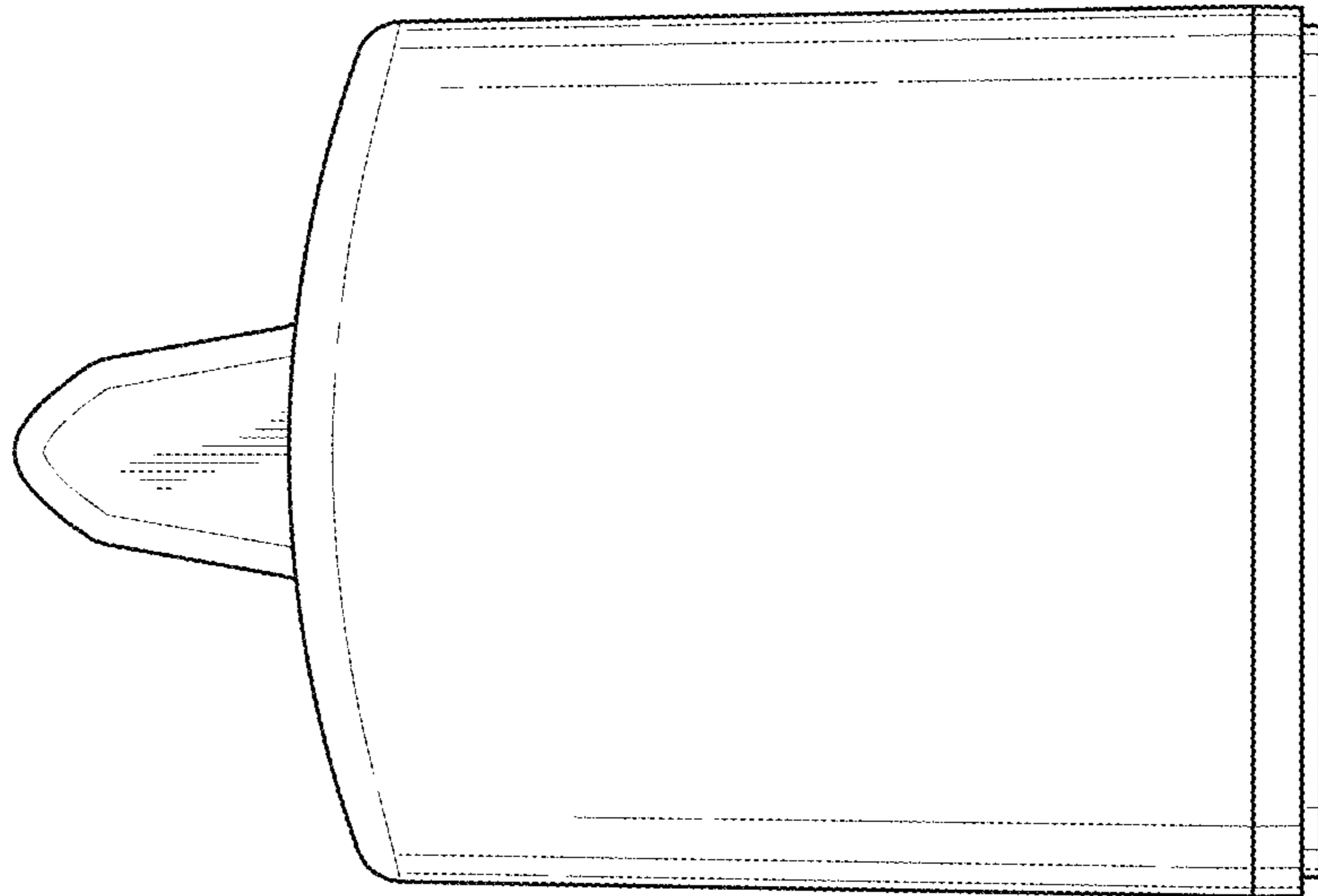


FIG. 12

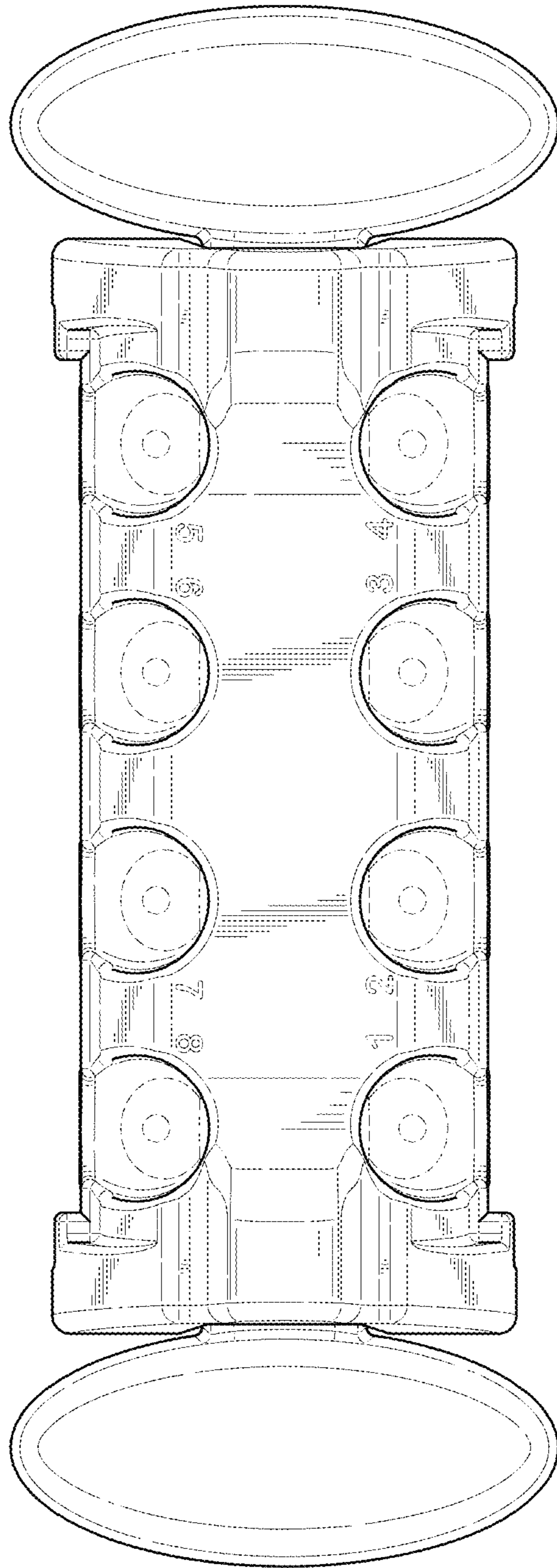


FIG. 13

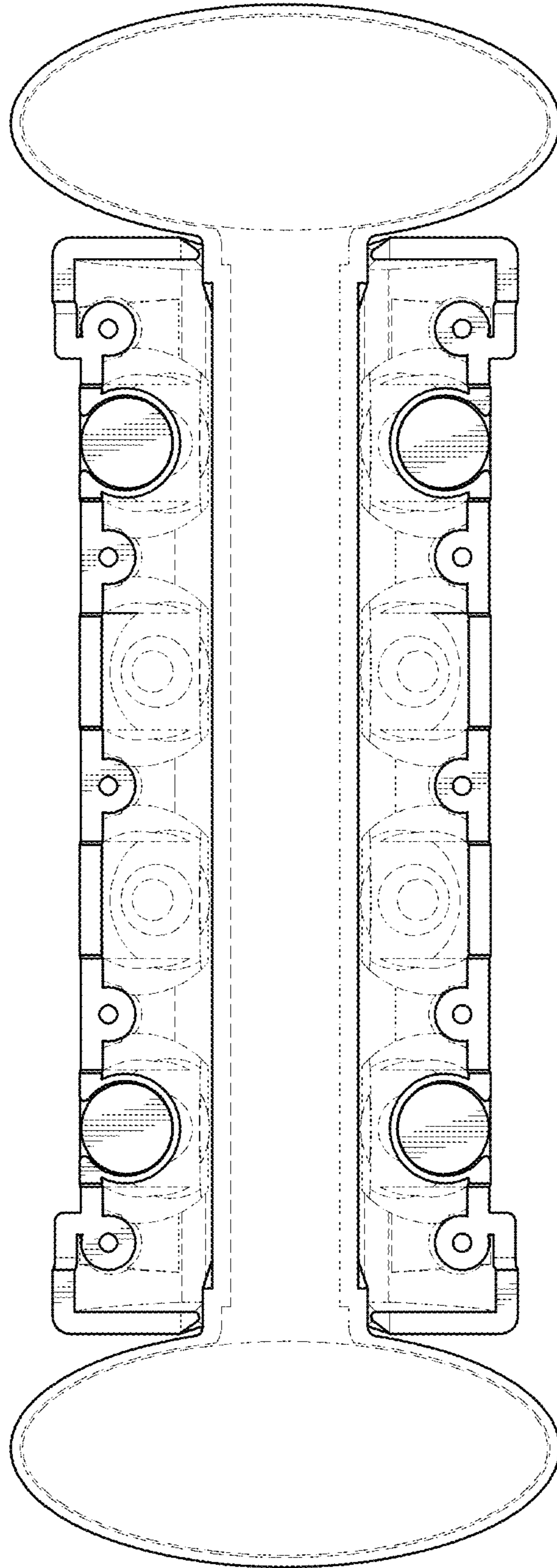


FIG. 14

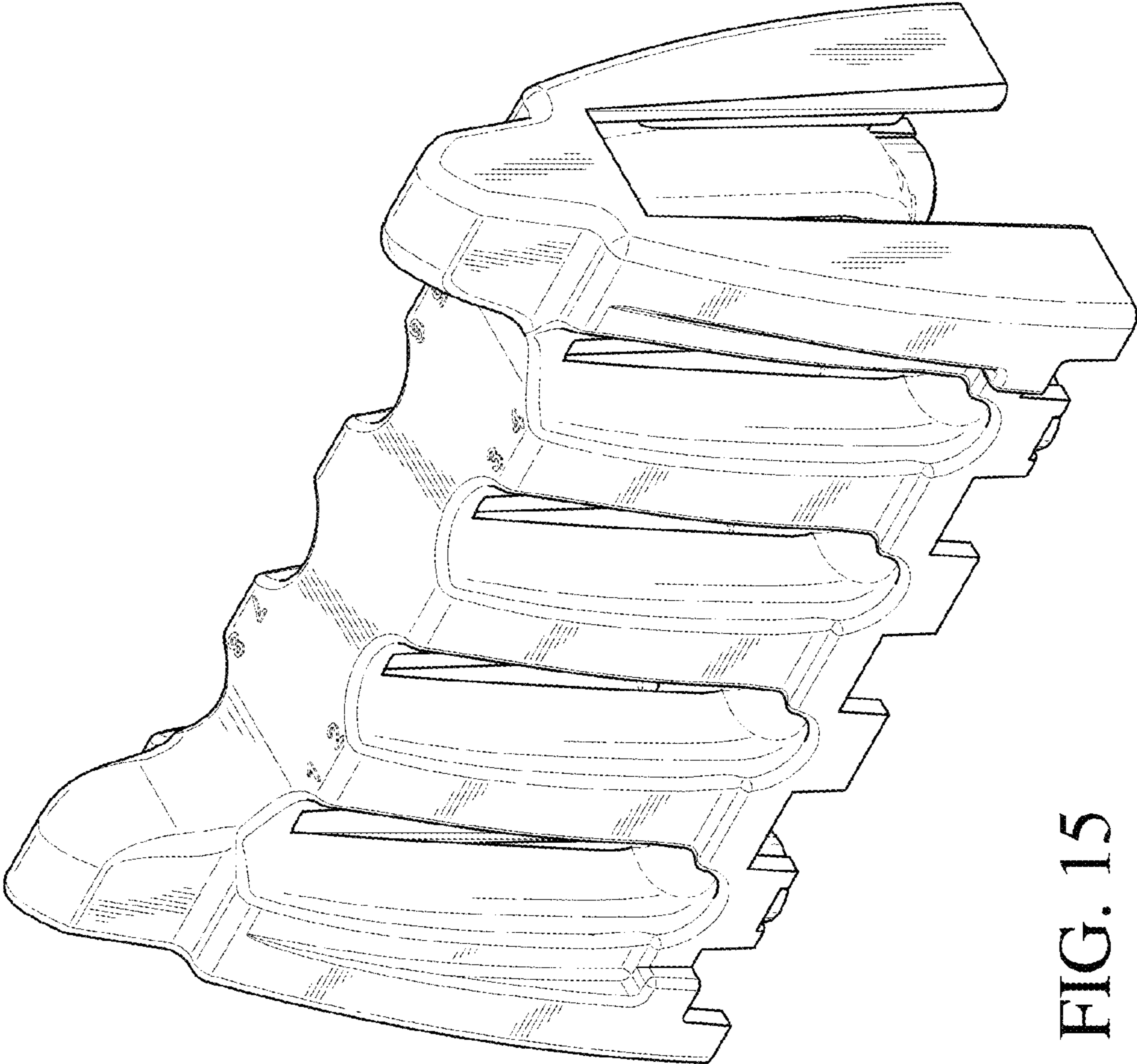


FIG. 15

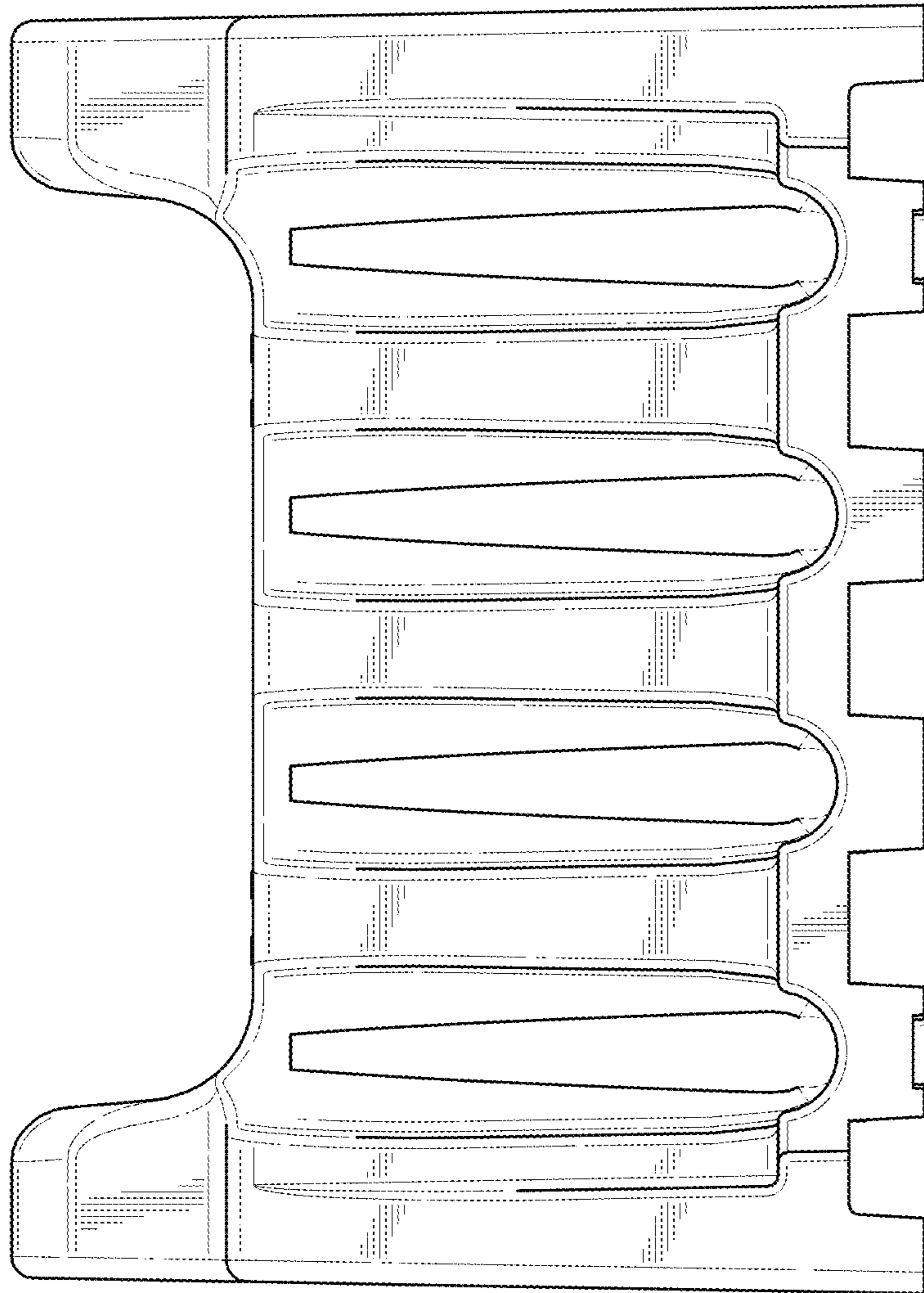


FIG. 16

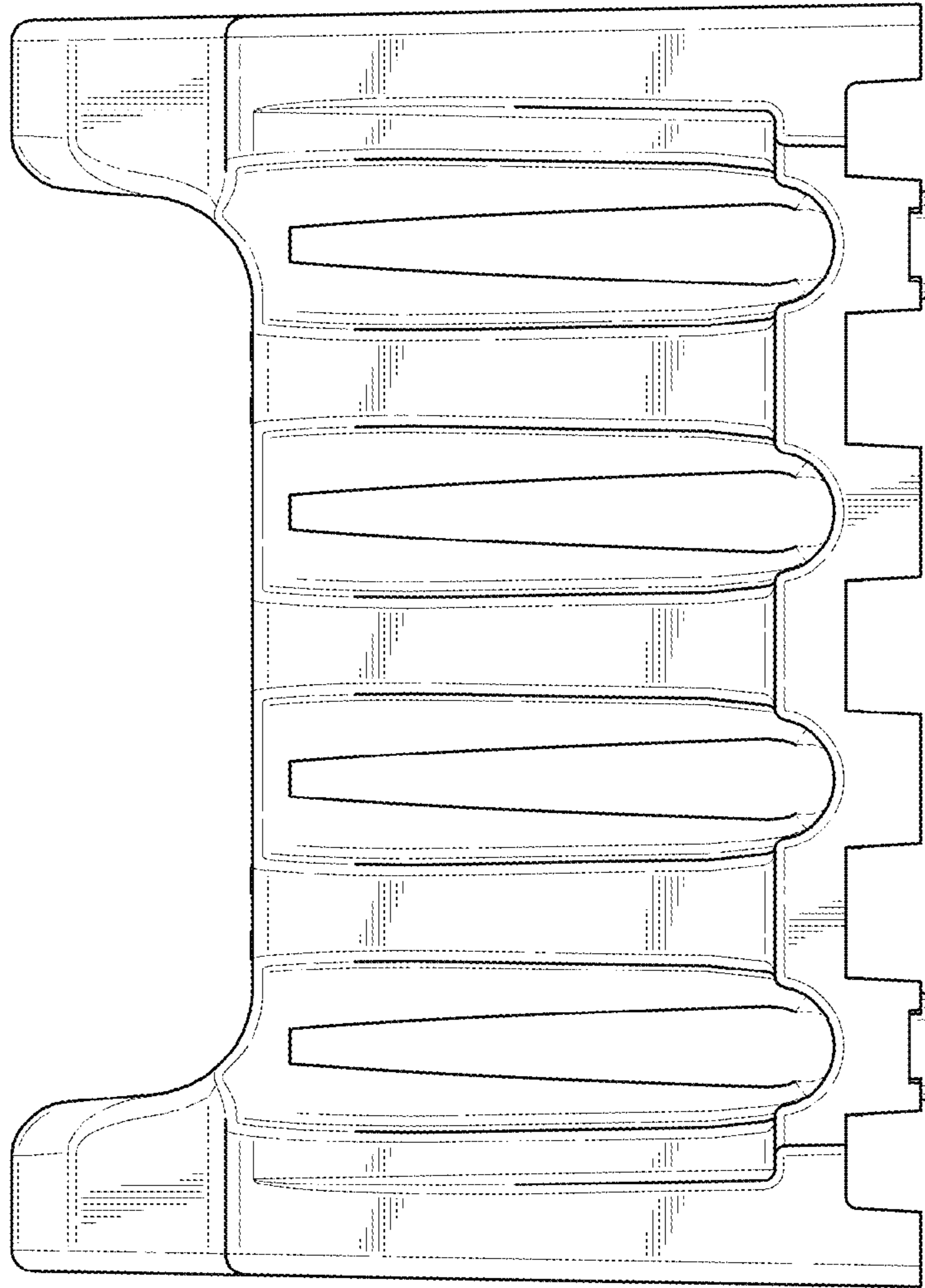


FIG. 17

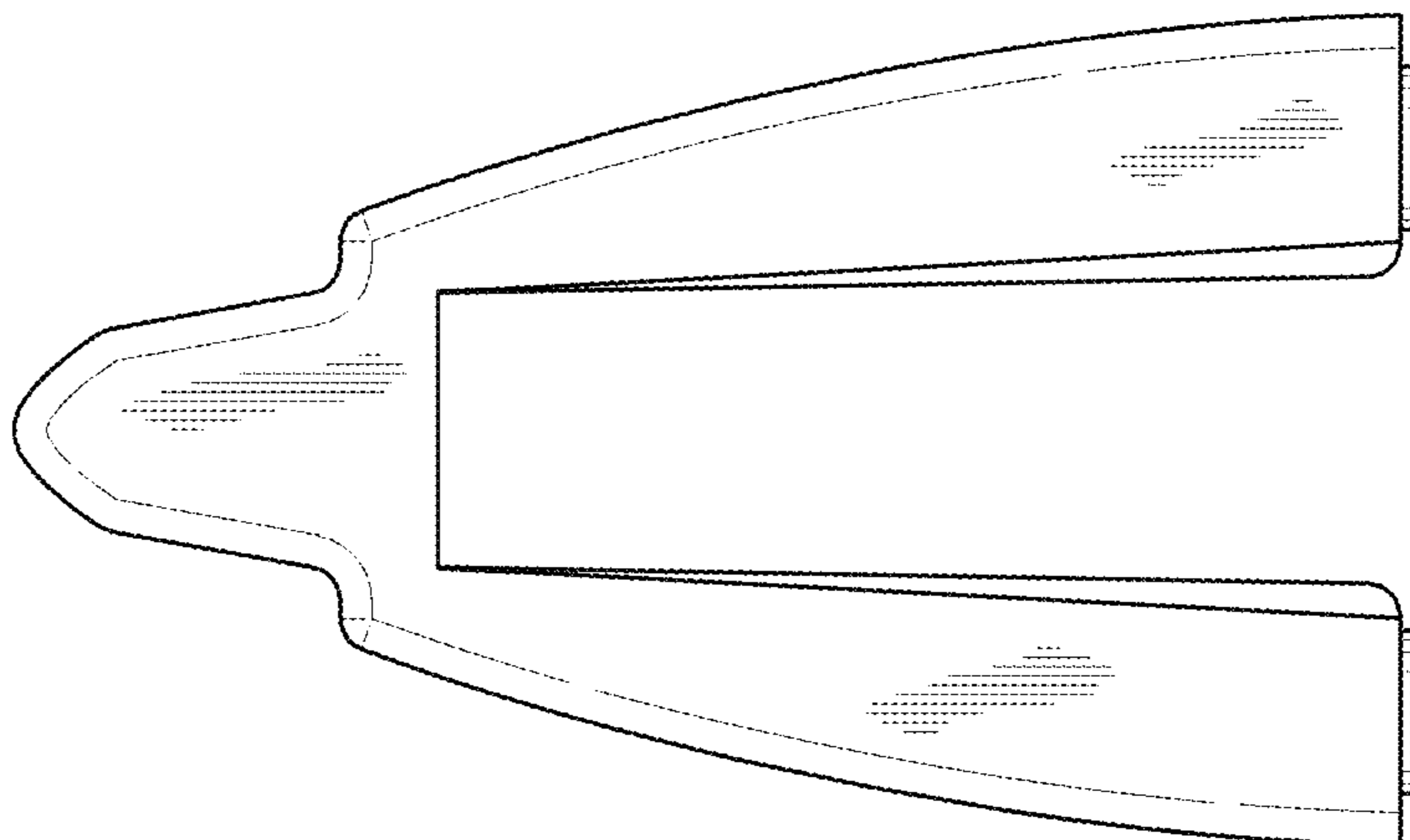


FIG. 19

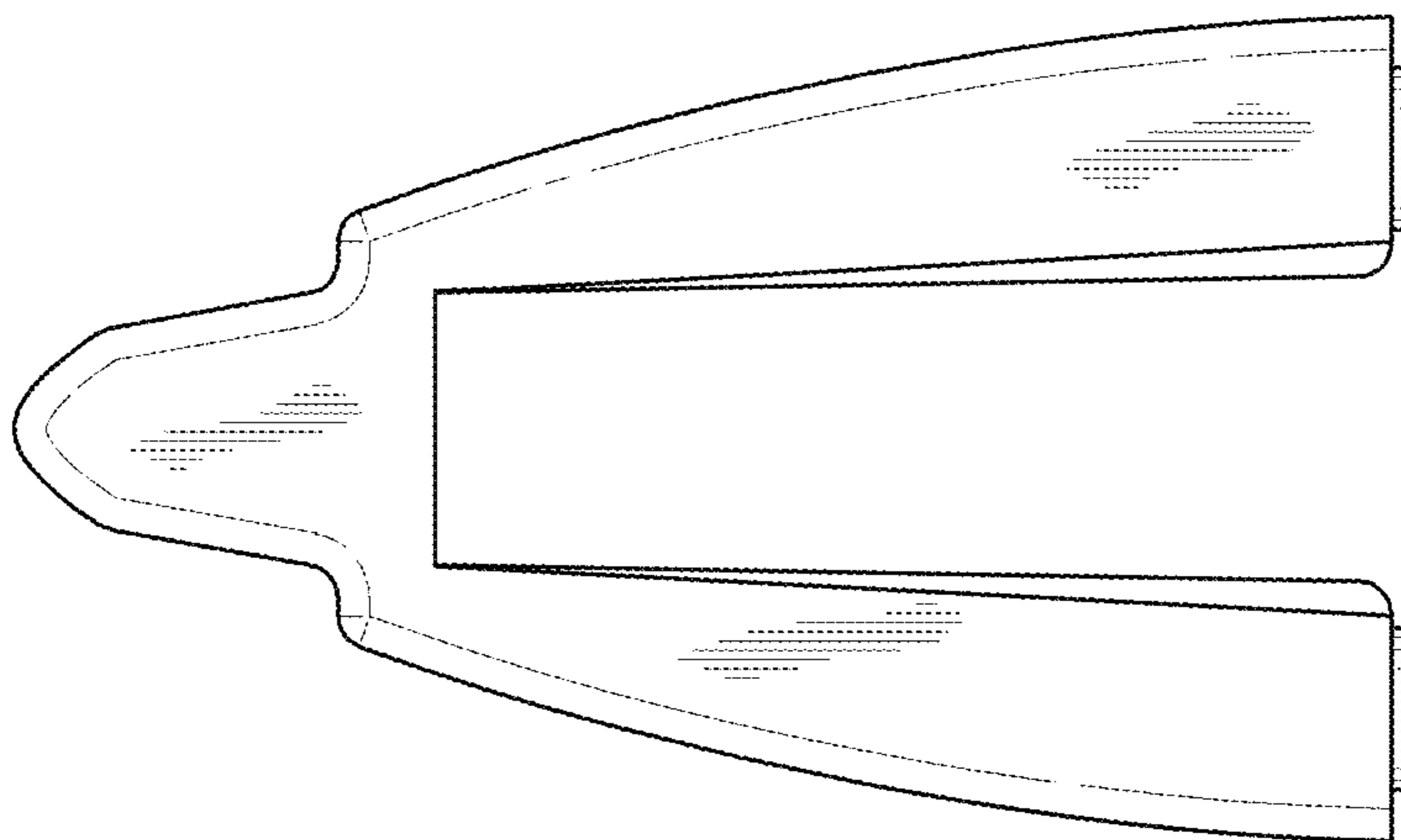


FIG. 18

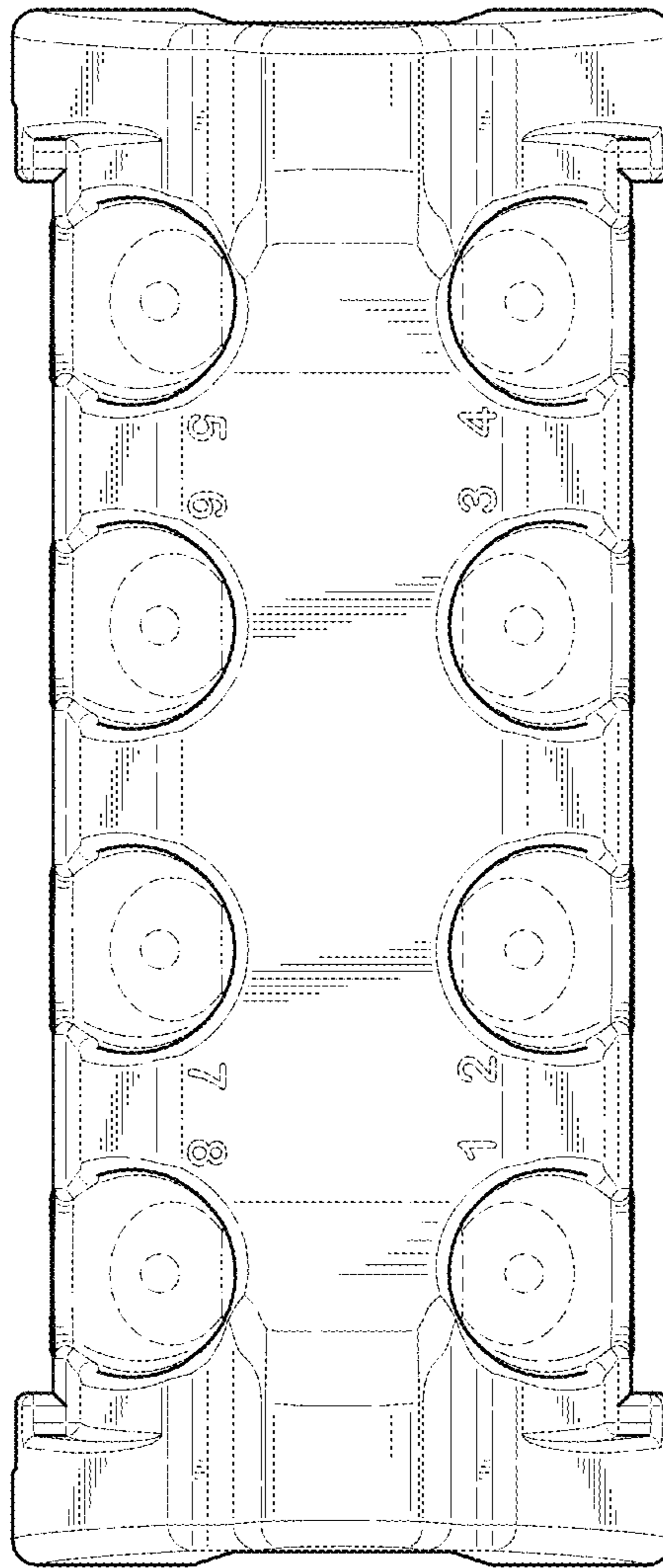


FIG. 20

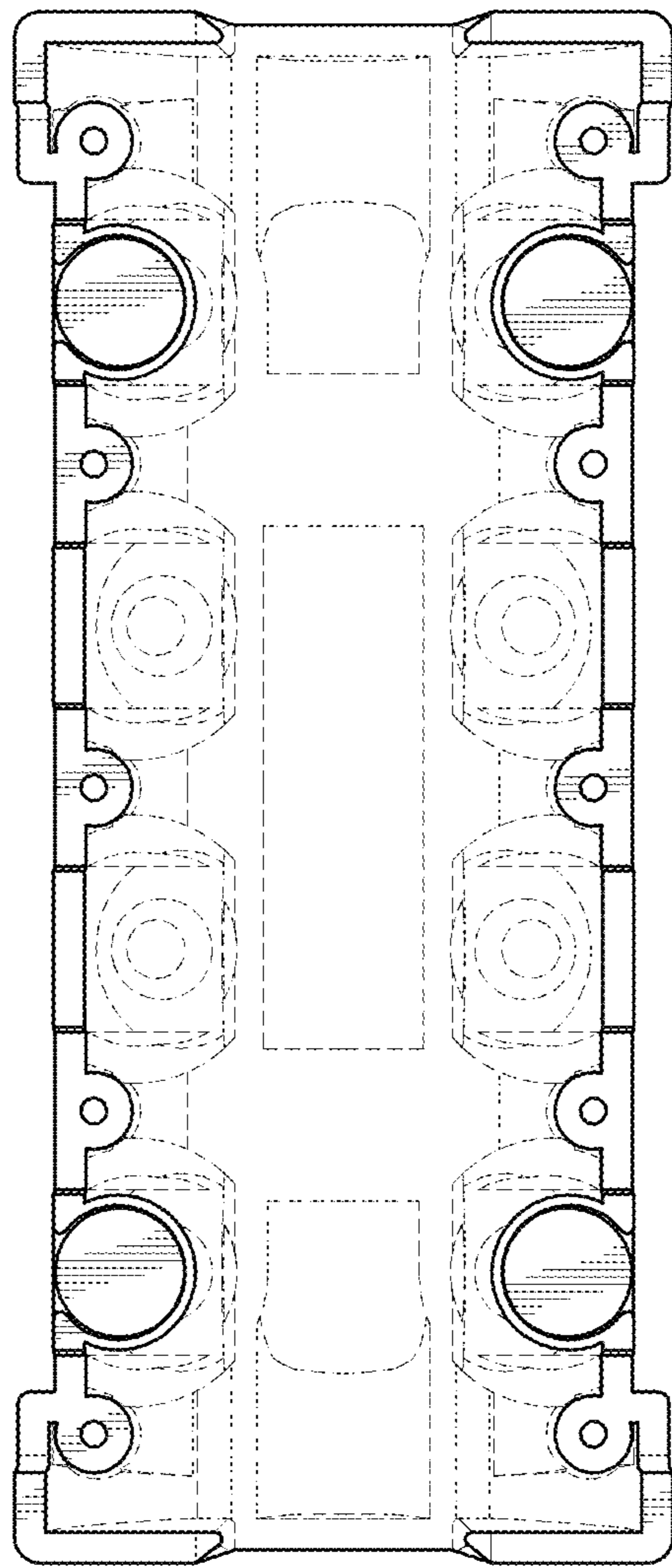


FIG. 21

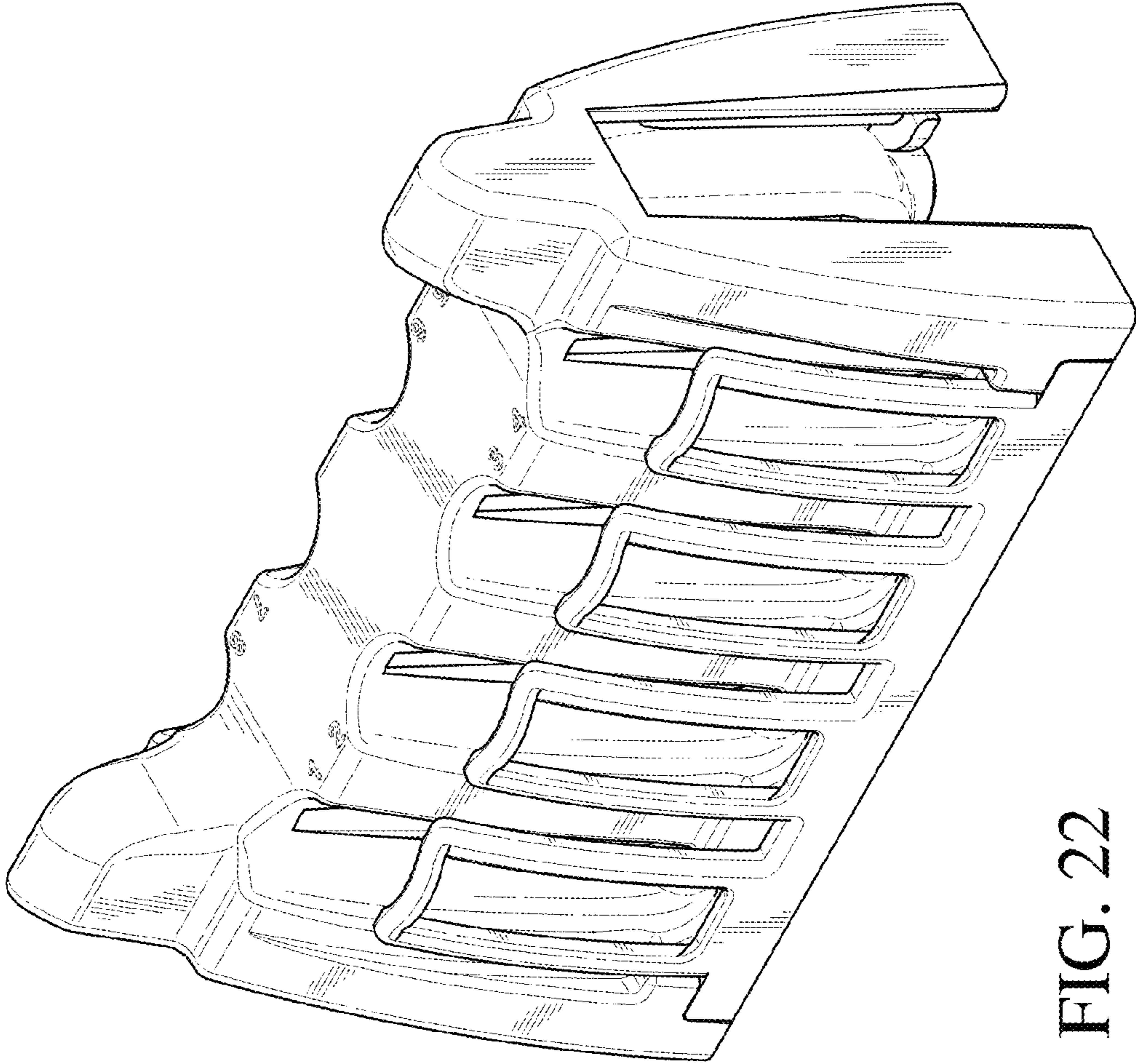


FIG. 22

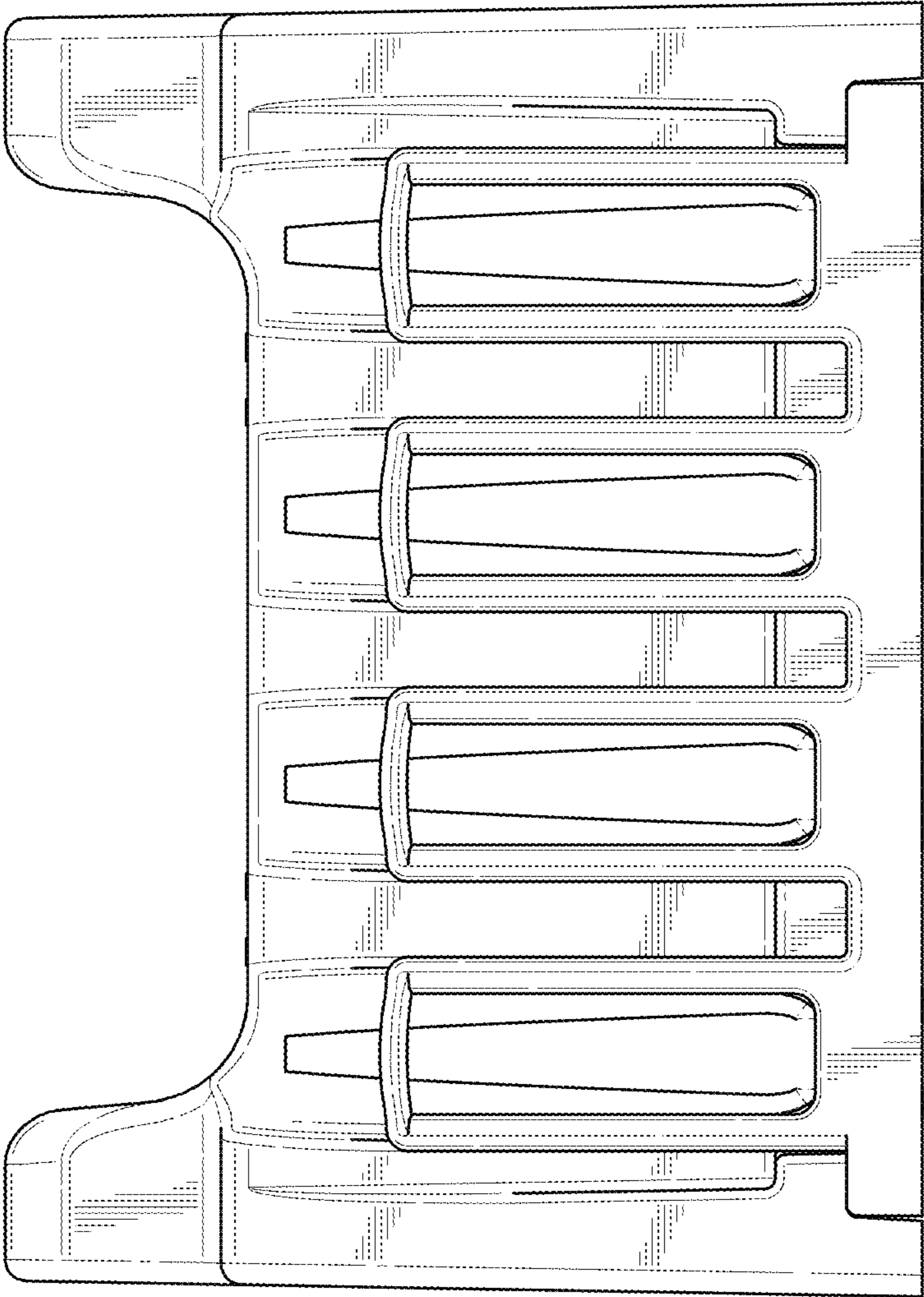


FIG. 23

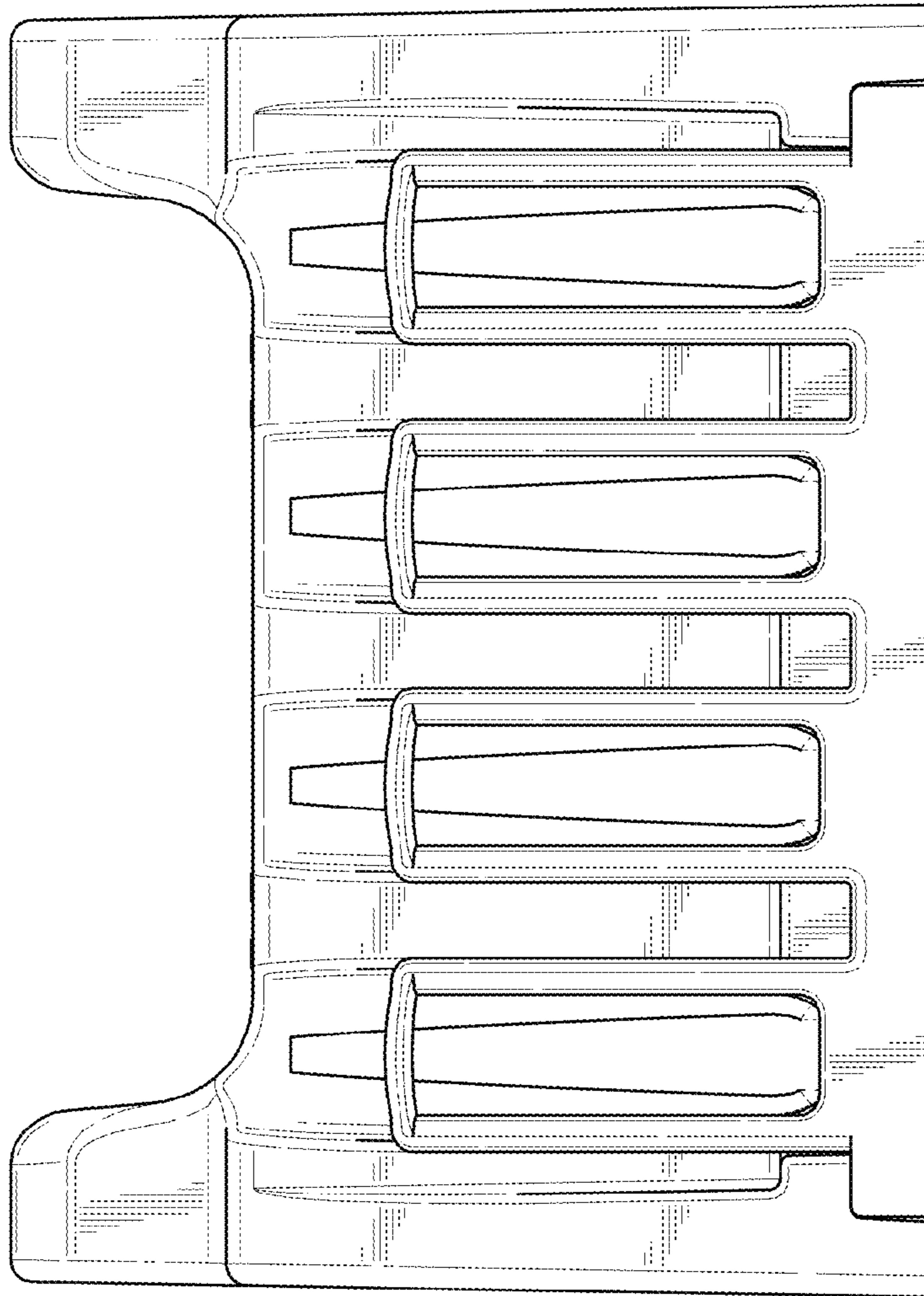


FIG. 24

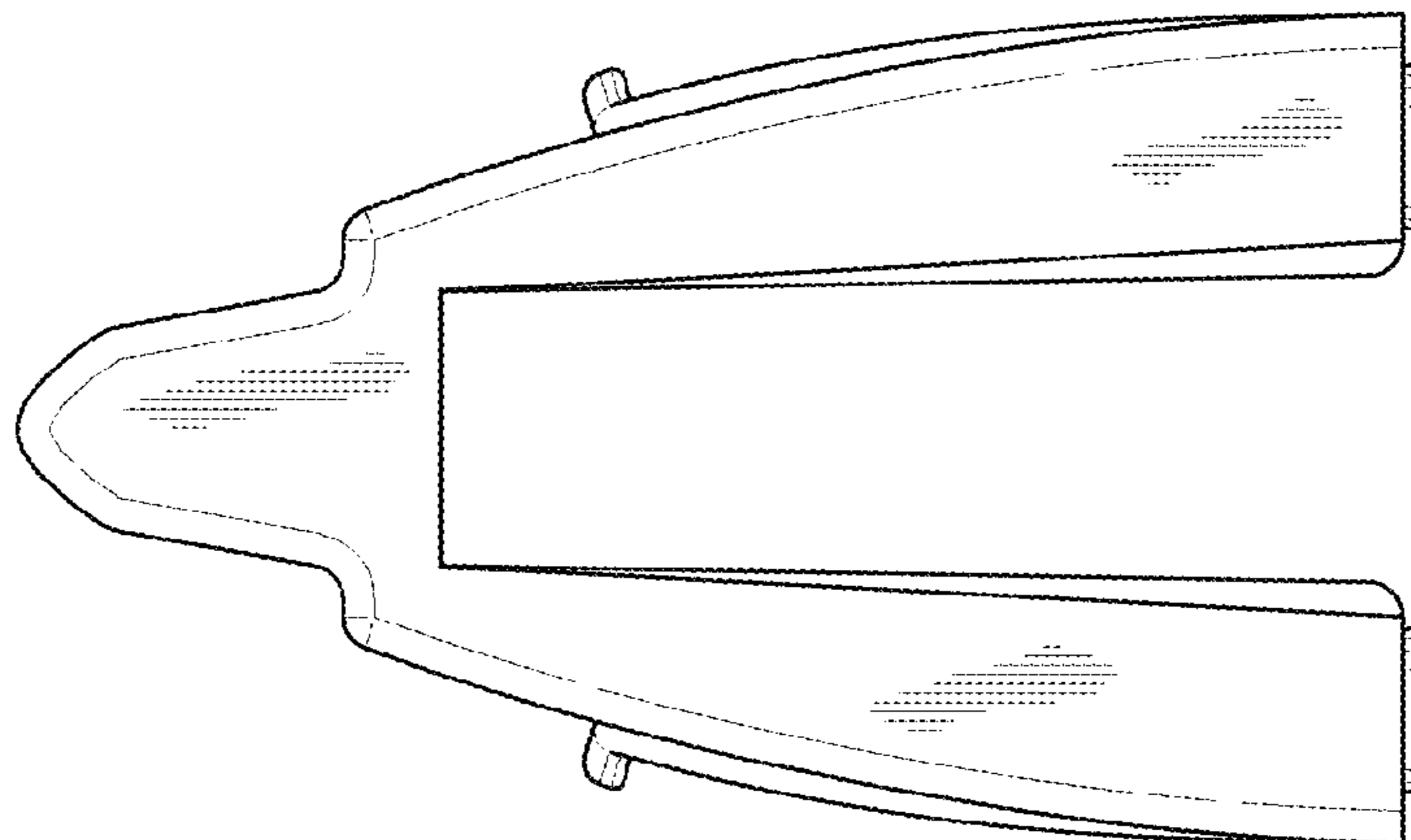


FIG. 26

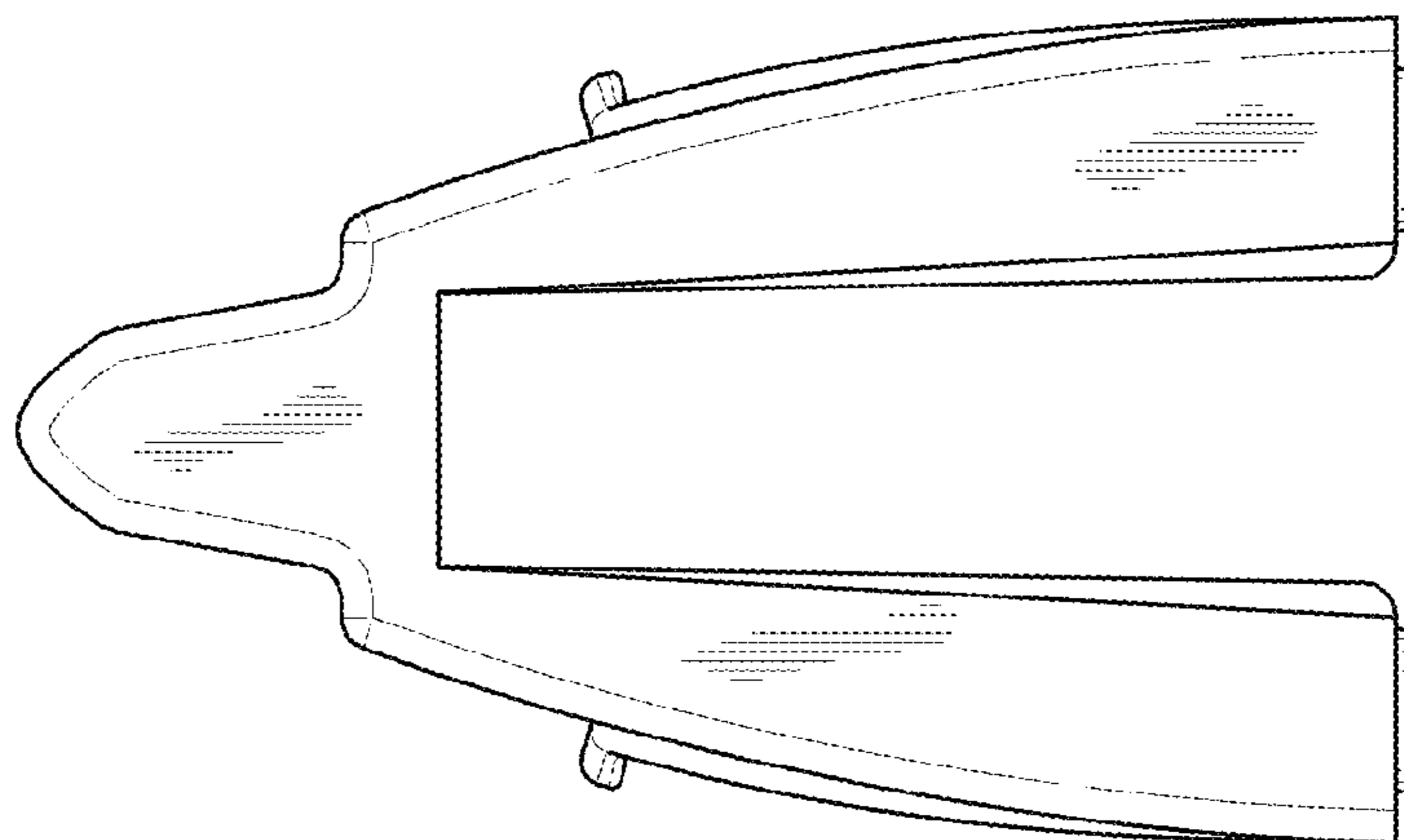


FIG. 25

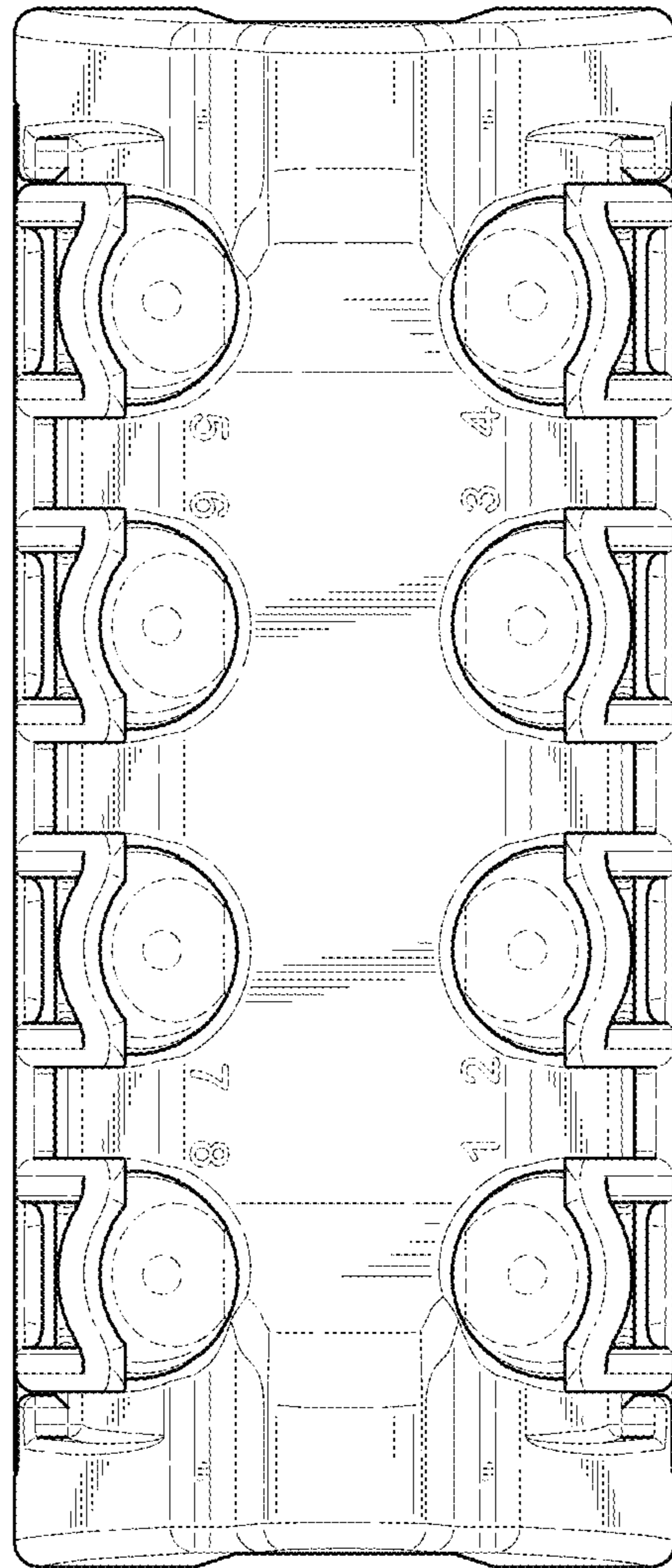


FIG. 27

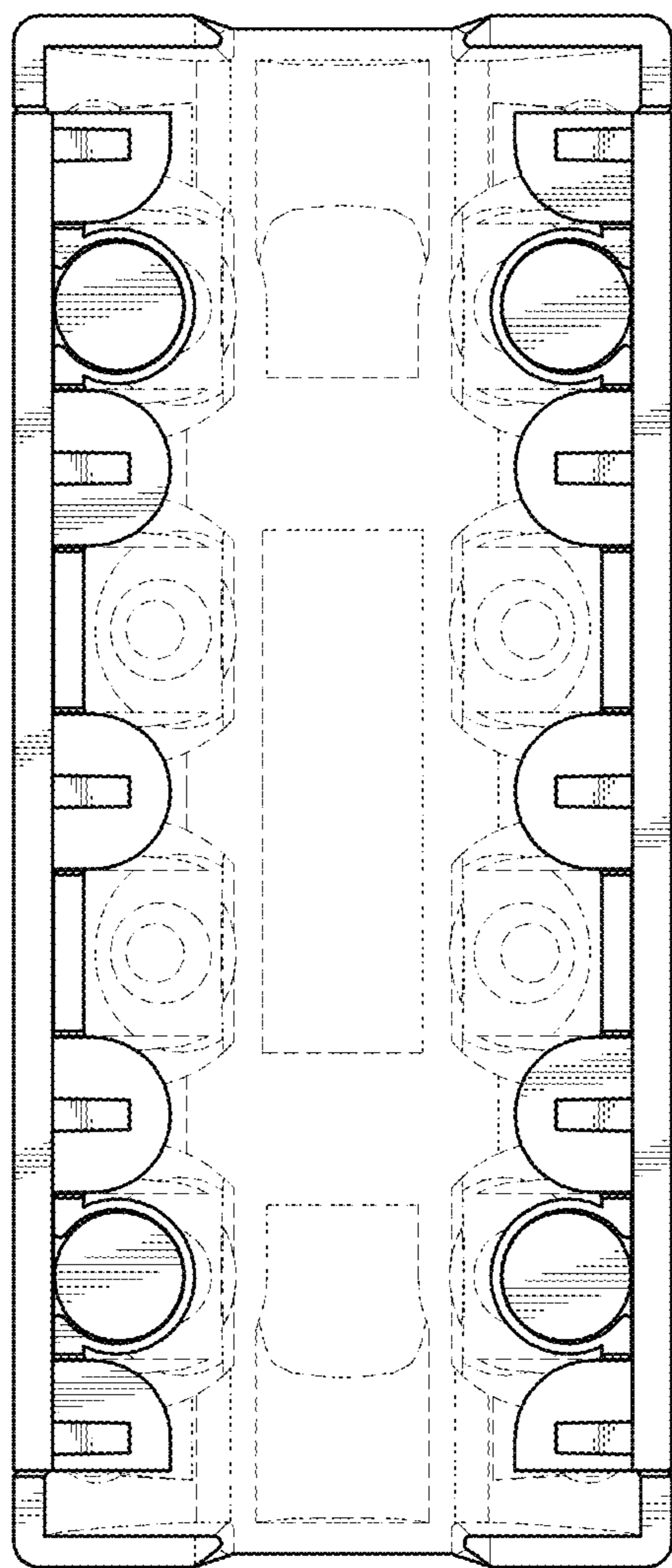


FIG. 28

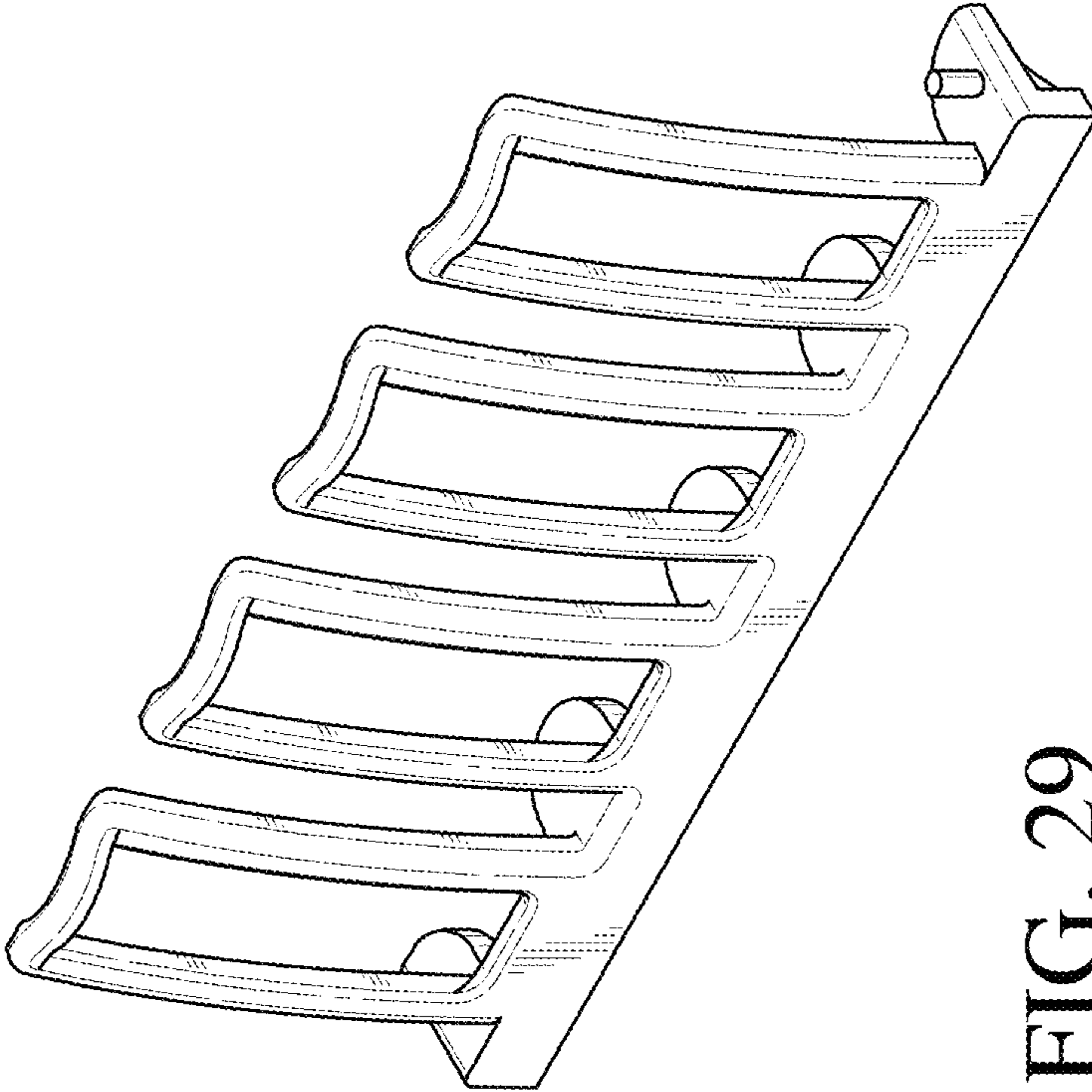


FIG. 29

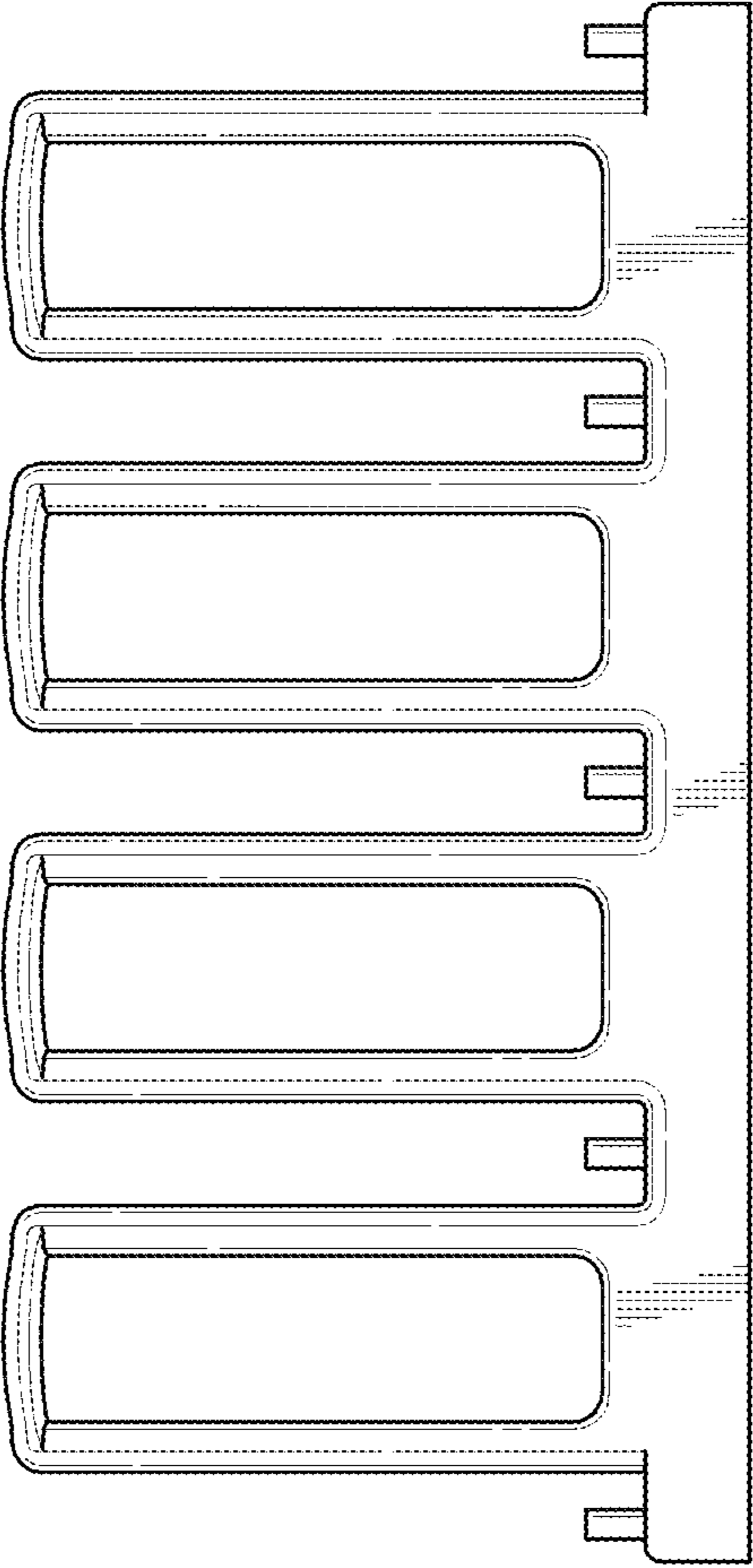


FIG. 30

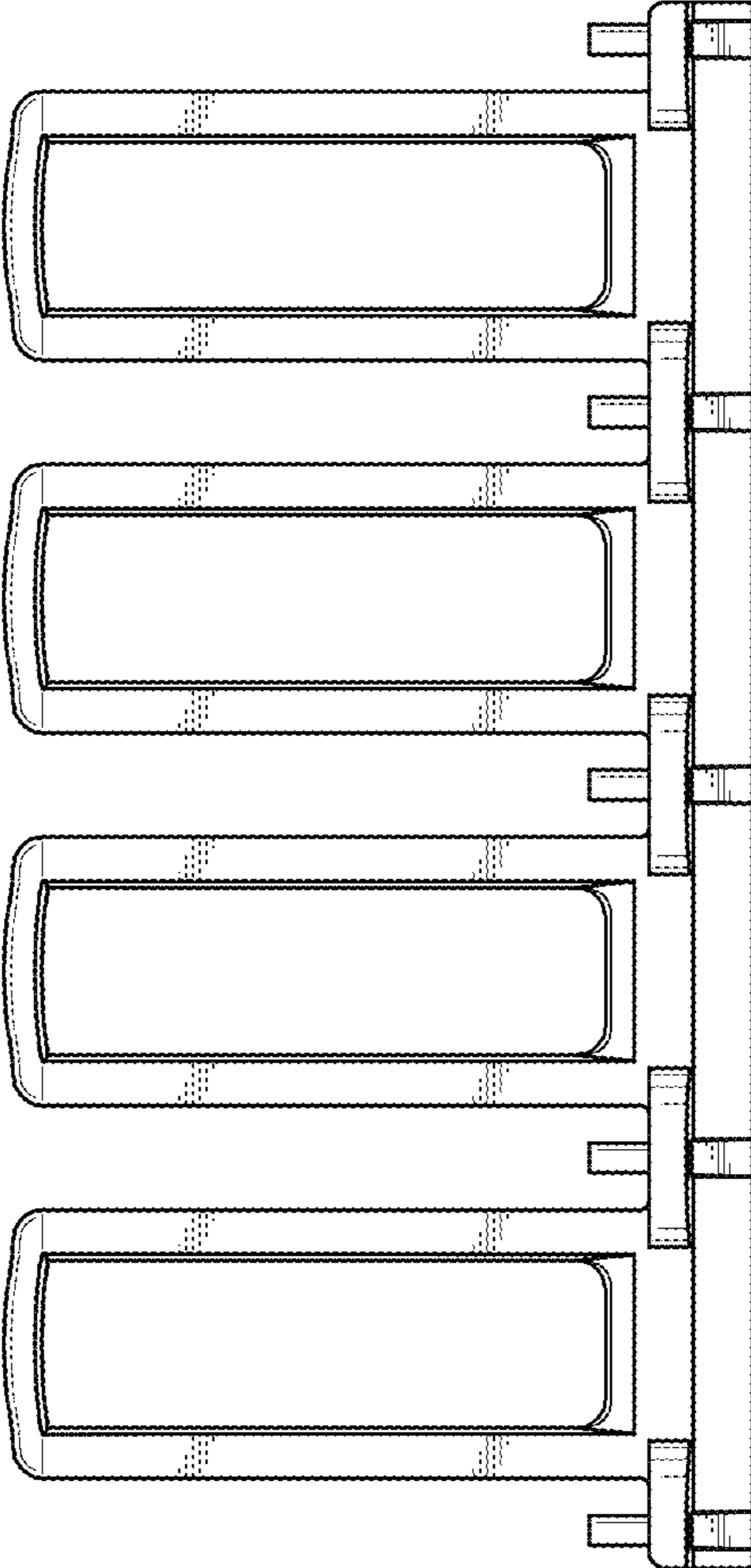


FIG. 31

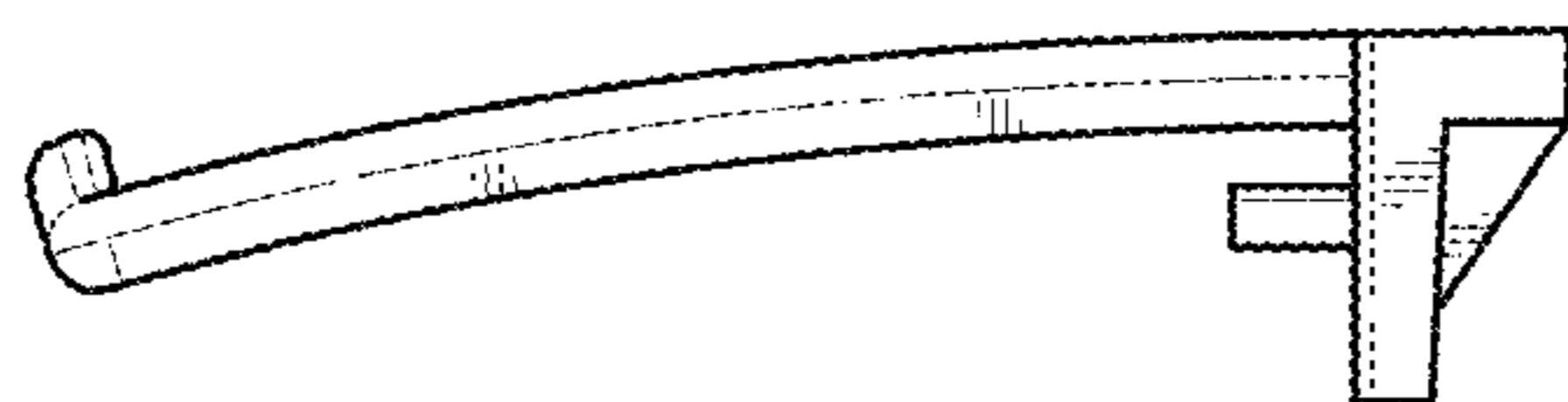


FIG. 32

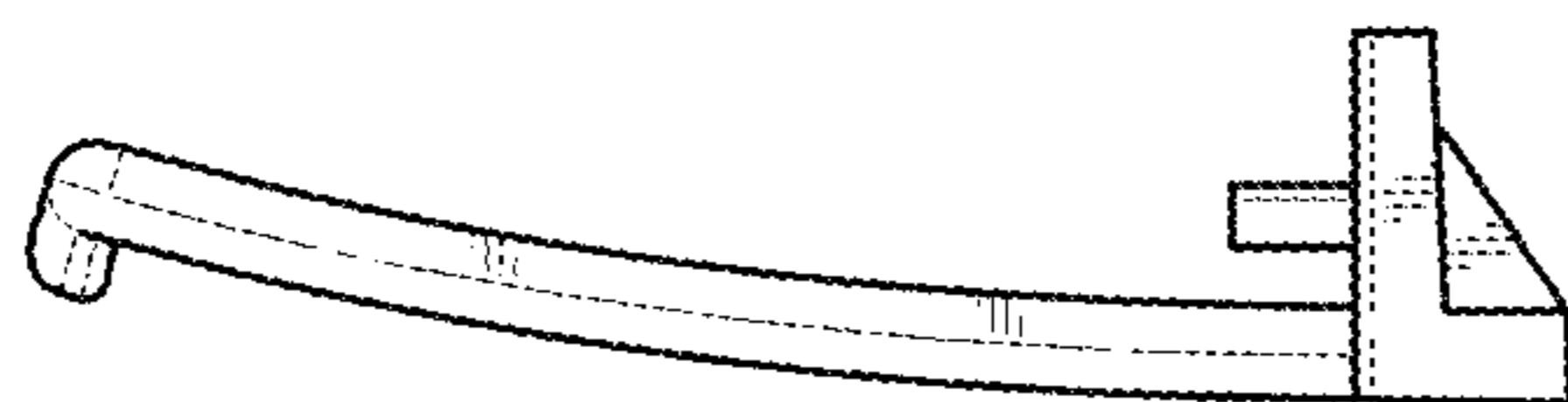


FIG. 33

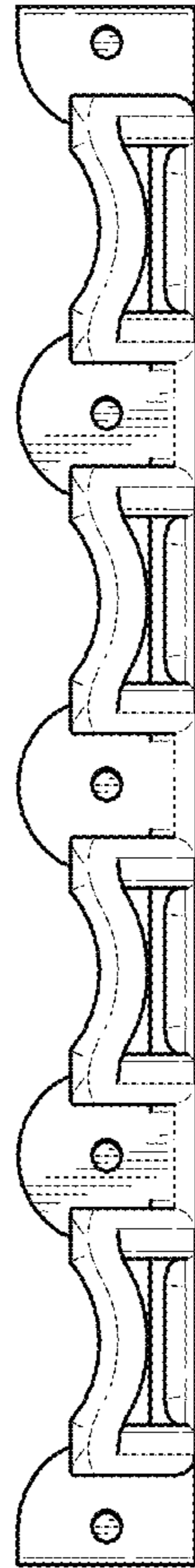


FIG. 34

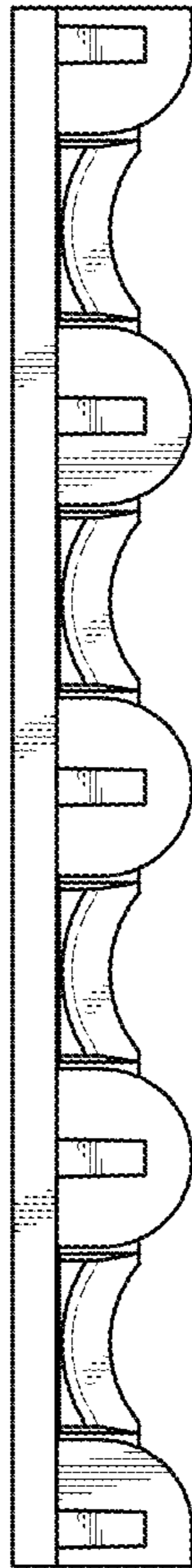


FIG. 35

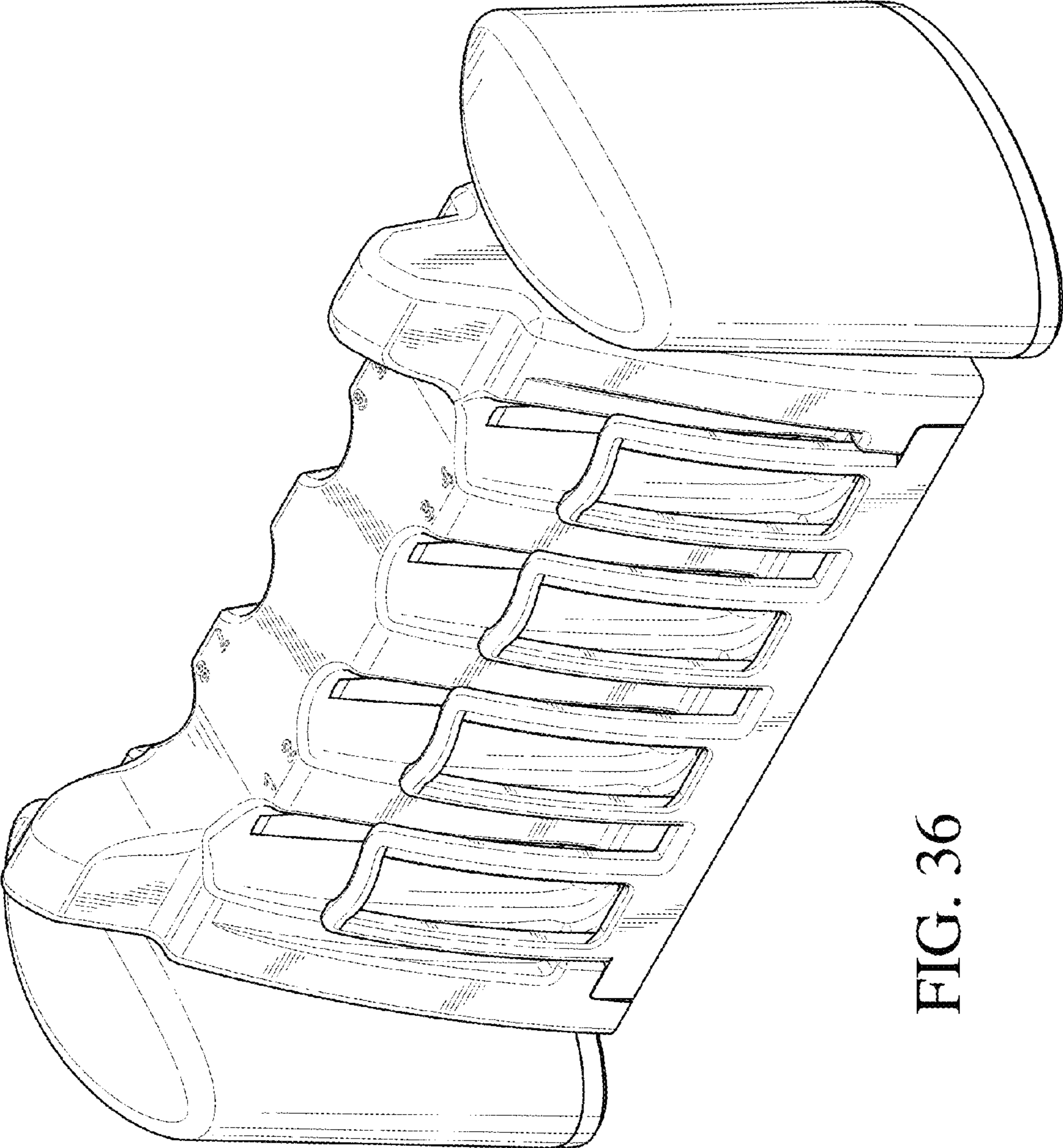


FIG. 36

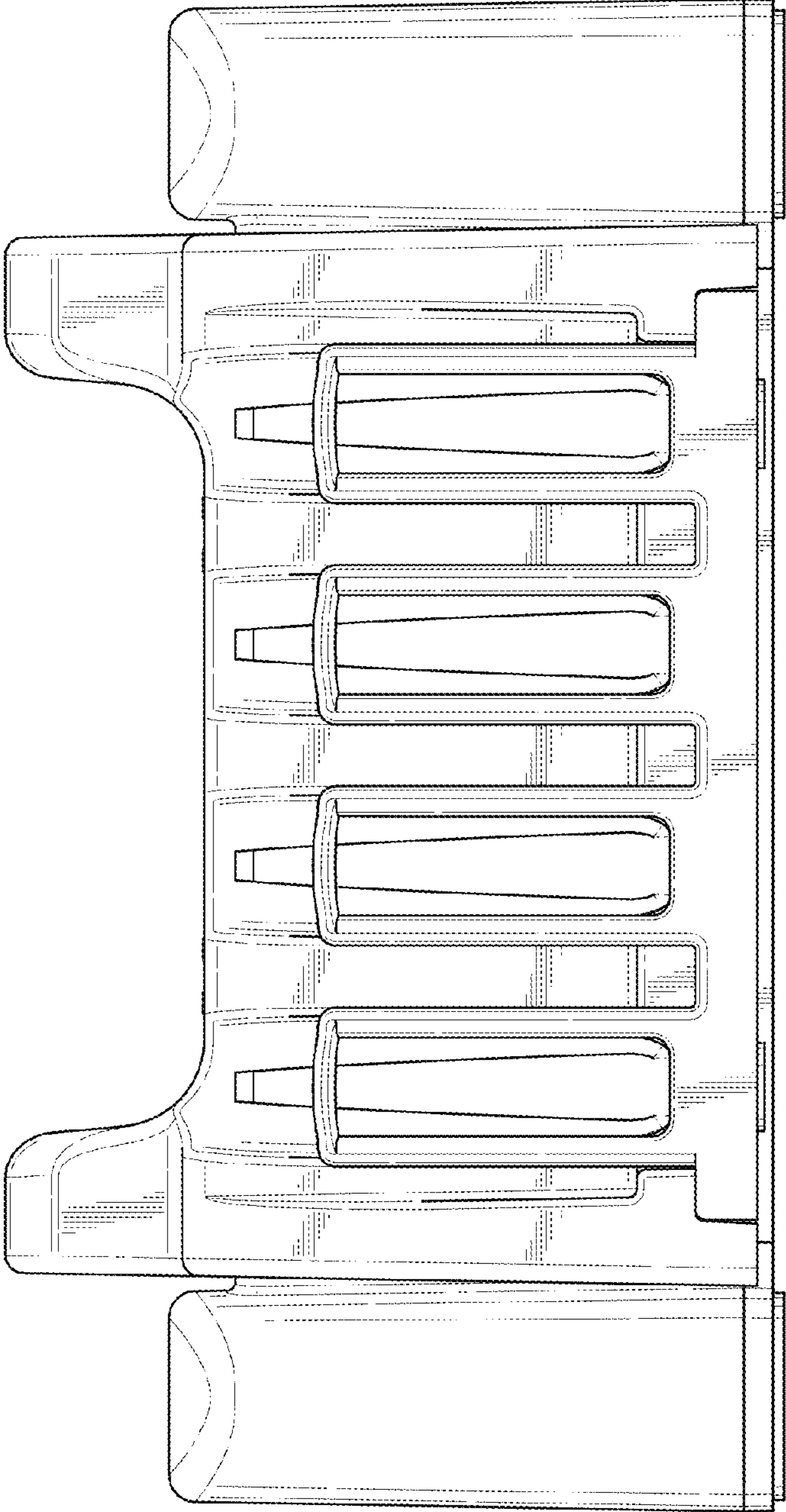


FIG. 37

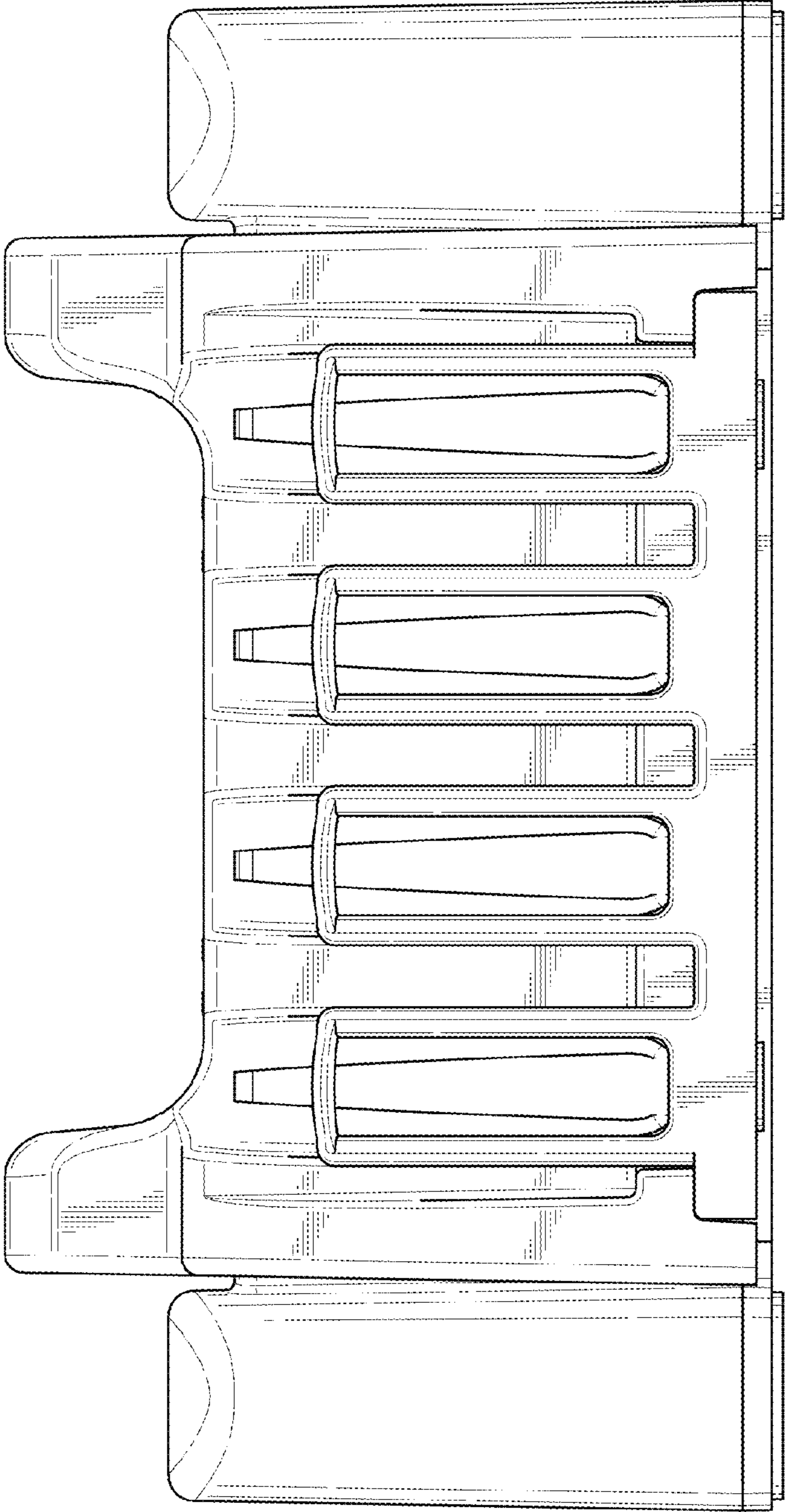


FIG. 38

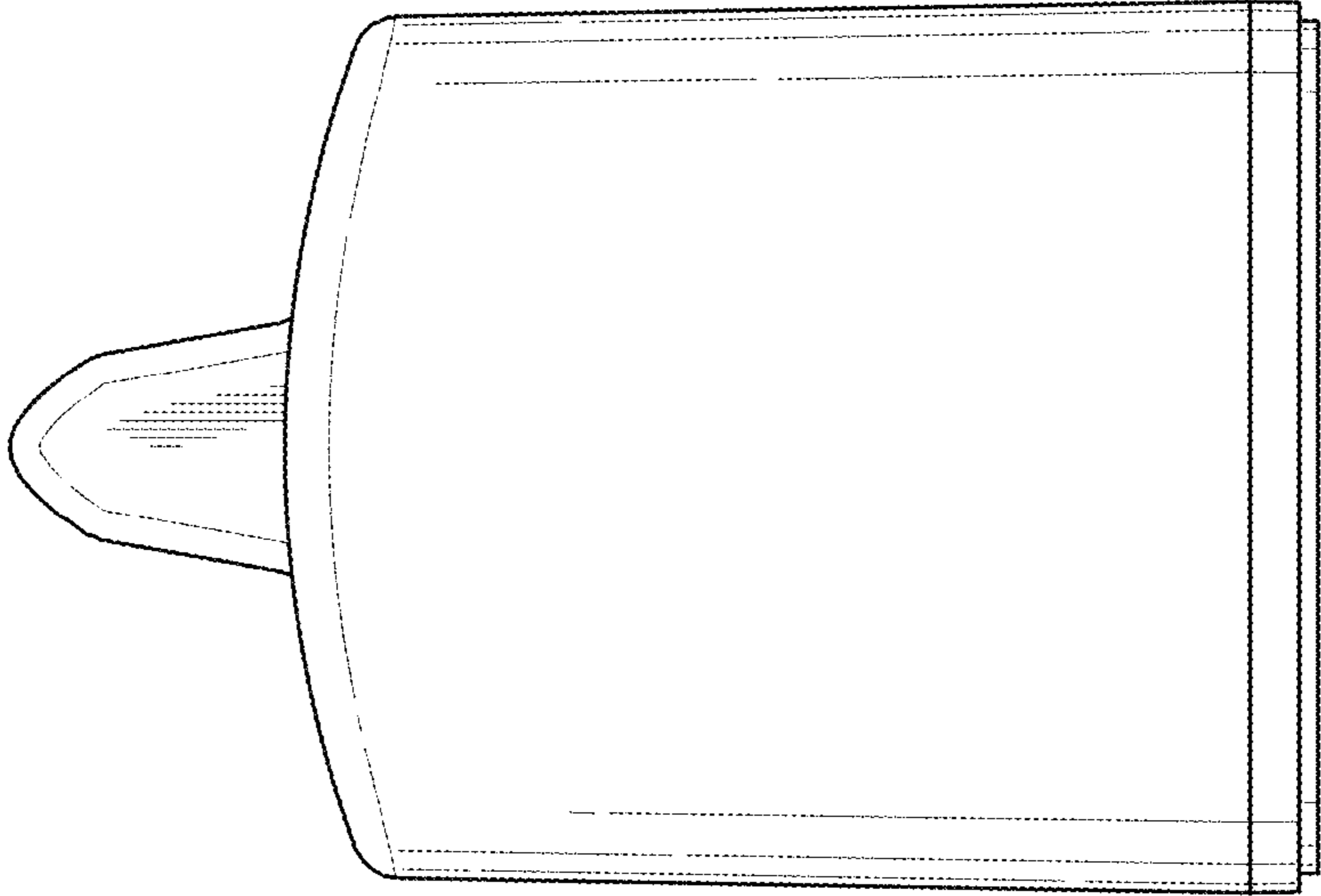


FIG. 39

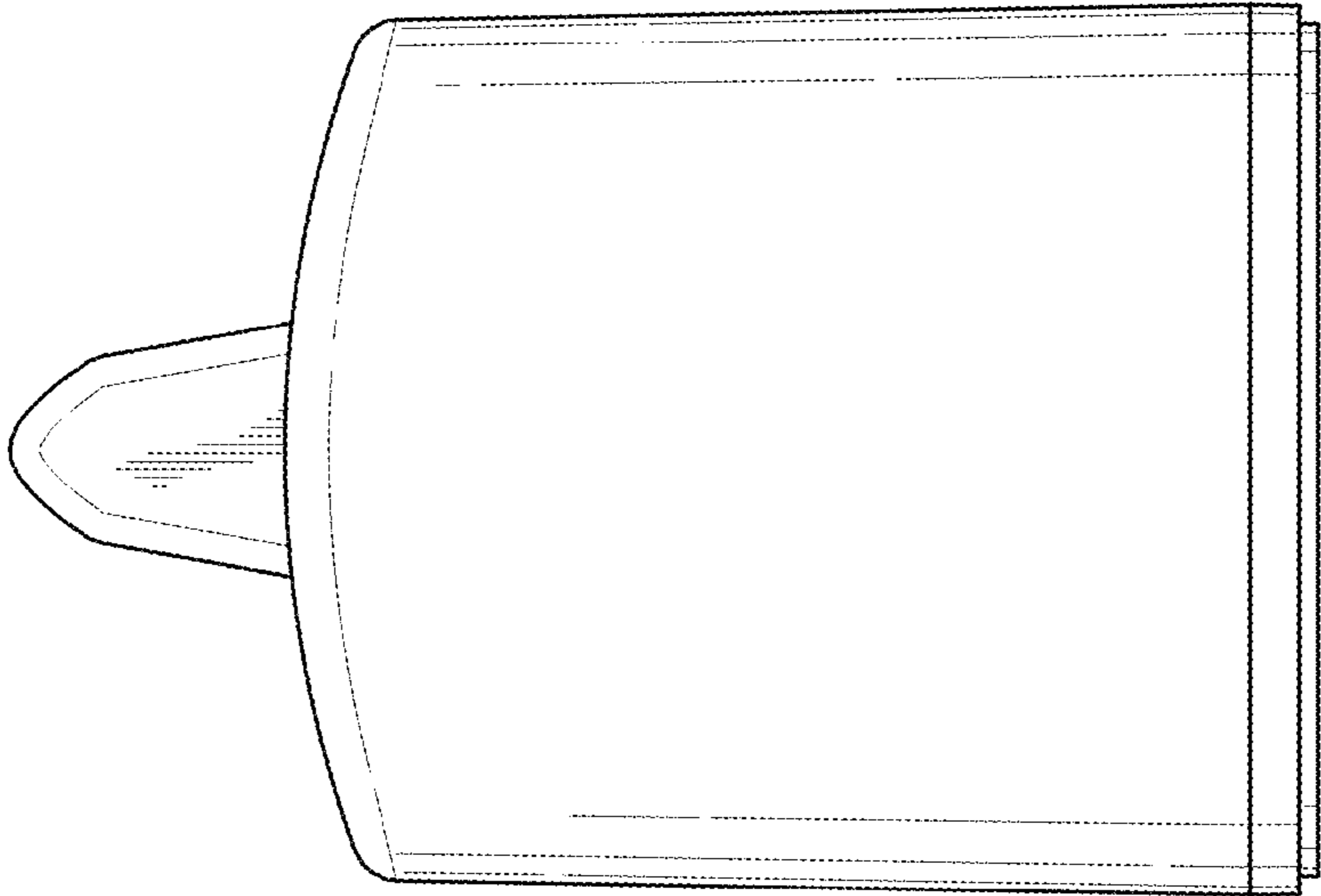


FIG. 40

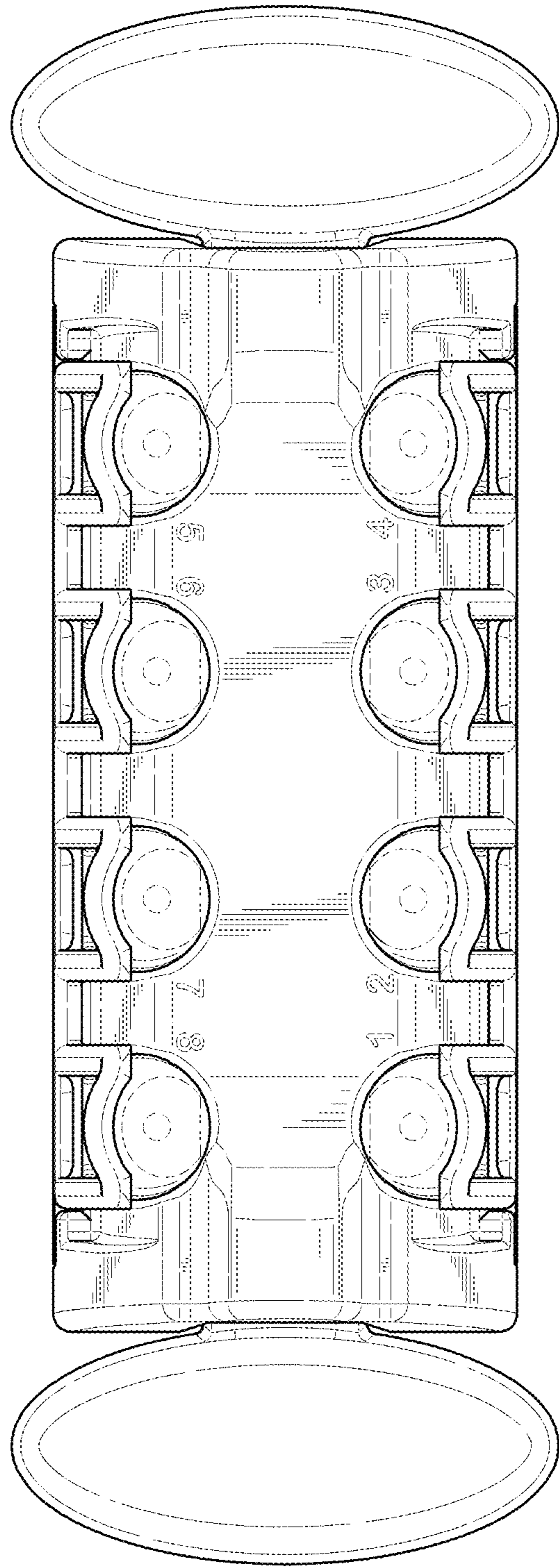


FIG. 41

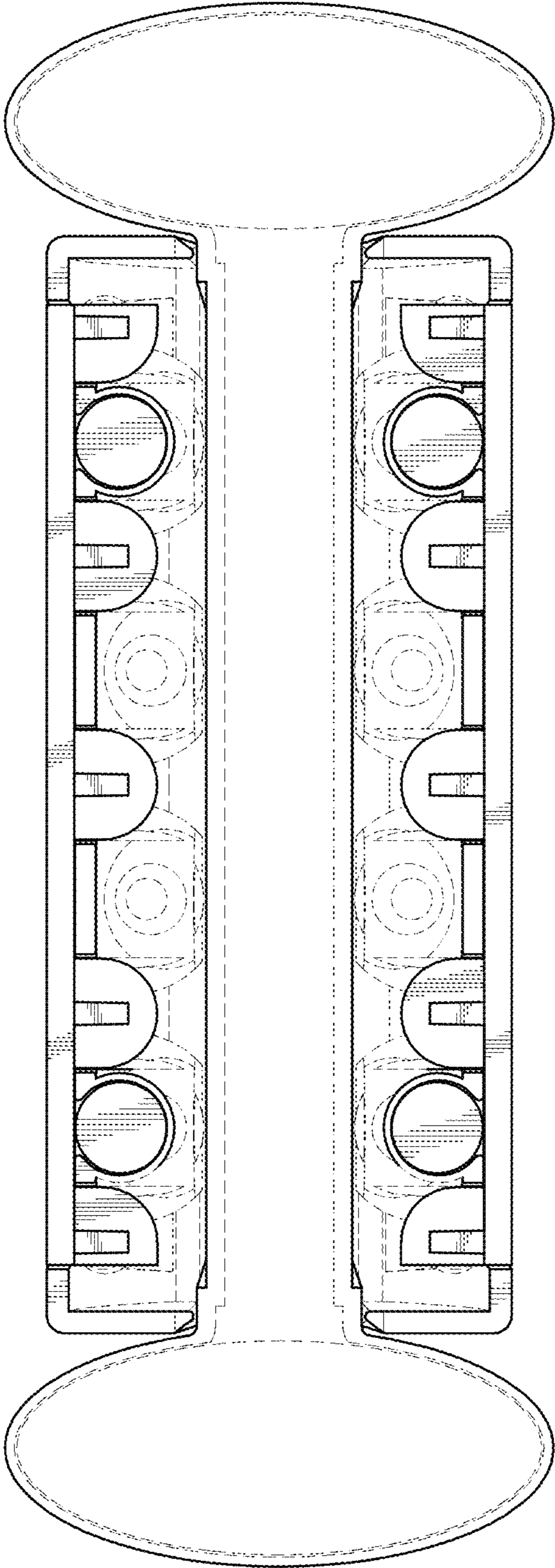


FIG. 42