



US00D733912S

(12) **United States Design Patent**
Ito et al.

(10) **Patent No.:** **US D733,912 S**
(45) **Date of Patent:** **** Jul. 7, 2015**

(54) **SUBSTRATE FOR SPECTROSCOPIC ANALYSIS**

- (71) Applicant: **HAMAMATSU PHOTONICS K.K.**, Hamamatsu-shi, Shizuoka (JP)
- (72) Inventors: **Masashi Ito**, Hamamatsu (JP); **Katsumi Shibayama**, Hamamatsu (JP); **Kazuto Ofuji**, Hamamatsu (JP); **Hiroki Oyama**, Hamamatsu (JP); **Yoshihiro Maruyama**, Hamamatsu (JP)
- (73) Assignee: **HAMAMATSU PHOTONICS K.K.**, Hamamatsu-shi, Shizuoka (JP)

- (**) Term: **14 Years**
- (21) Appl. No.: **29/477,940**
- (22) Filed: **Dec. 30, 2013**

- (30) **Foreign Application Priority Data**
Jul. 5, 2013 (JP) 2013-015412
- (51) **LOC (10) Cl.** **24-02**
- (52) **U.S. Cl.**
USPC **D24/225**
- (58) **Field of Classification Search**
USPC D24/216, 222-226, 231, 232, 169;
D10/80, 81; 422/99, 100, 102, 68.1,
422/69, 560-566; 435/288.1, 288.3, 289.1,
435/283.1; 436/165
See application file for complete search history.

- (56) **References Cited**
U.S. PATENT DOCUMENTS
4,761,381 A * 8/1988 Blatt et al. 436/165
D302,294 S * 7/1989 Hillman D24/223

- (Continued)
- FOREIGN PATENT DOCUMENTS**
WO WO-2013/062540 A1 5/2013
- OTHER PUBLICATIONS**
U.S. Appl. No. 29/477,934, Hamamatsu Photonics K.K.

(Continued)

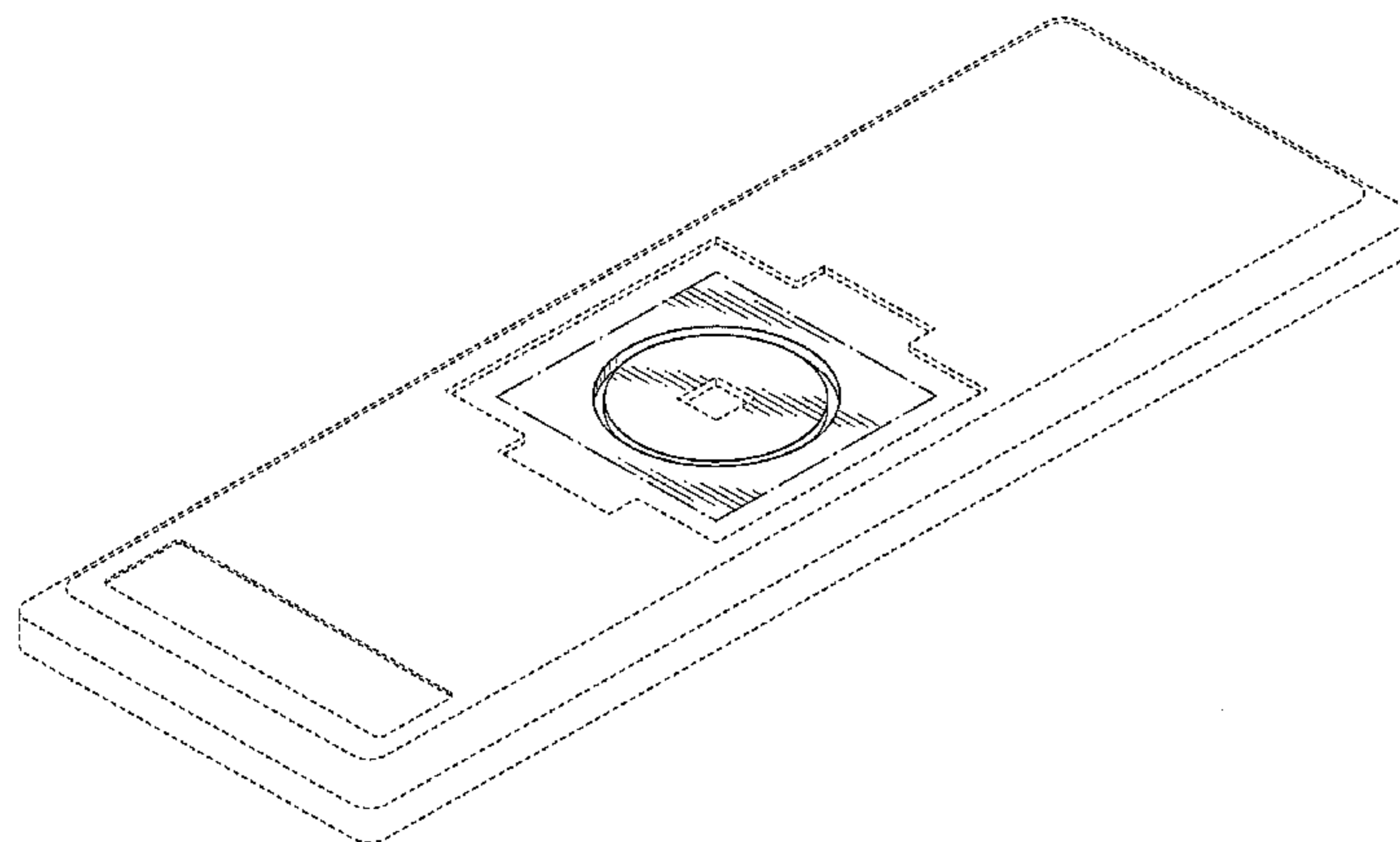
Primary Examiner — T. Chase Nelson
Assistant Examiner — Mark Cavanna
(74) *Attorney, Agent, or Firm* — Drinker Biddle & Reath LLP

(57) **CLAIM**
The ornamental design for a substrate for spectroscopic analysis, as shown and described.

DESCRIPTION

FIG. 1 is a front view of a substrate for spectroscopic analysis of our new design with the cap portion in place.
 FIG. 2 is a rear view of the substrate for spectroscopic analysis of FIG. 1.
 FIG. 3 is a top plan view of the substrate for spectroscopic analysis of FIG. 1.
 FIG. 4 is a bottom view of the substrate for spectroscopic analysis of FIG. 1.
 FIG. 5 is a right side view of the substrate for spectroscopic analysis of FIG. 1.
 FIG. 6 is a left side view of the substrate for spectroscopic analysis of FIG. 1.
 FIG. 7 is a perspective of the substrate for spectroscopic analysis of FIG. 1.
 FIG. 8 is a top plan view without the cover part of the substrate for spectroscopic analysis of FIG. 1.
 FIG. 9 is a perspective view without the cover part of the substrate for spectroscopic analysis of FIG. 1.
 FIG. 10 is a sectional view taken along the line 10-10 of the substrate for spectroscopic analysis of FIG. 3.
 FIG. 11 is a sectional view taken along the line 11-11 of the substrate for spectroscopic analysis of FIG. 1.
 FIG. 12 is a sectional view taken along the line 12-12 of the substrate for spectroscopic analysis of FIG. 8.
 FIG. 13 is an enlarged sectional view taken along the line 13-13 of the substrate for spectroscopic analysis of FIG. 10; and,
 FIG. 14 is a reference sectional view taken along the line 10-10 of the substrate for spectroscopic analysis of FIG. 3 in use, wherein an element is inserted in the recessed part for an element and a glass plate is set above the cover part.
 The features shown in dotted lines depict environmental subject matter only and form no part of the claimed design.
 The broken lines having alternating long and short segments define bounds of the claimed design and form no part thereof.

1 Claim, 14 Drawing Sheets



(56)

References Cited

U.S. PATENT DOCUMENTS

D320,269 S * 9/1991 Hammond D24/225
 D324,426 S * 3/1992 Fan et al. D24/226
 D328,135 S * 7/1992 Fan et al. D24/216
 D351,913 S * 10/1994 Hieb et al. D24/223
 D366,938 S * 2/1996 Shartle et al. D24/224
 D383,852 S * 9/1997 Shartle et al. D24/224
 D395,708 S * 6/1998 Shartle et al. D24/224
 D461,906 S * 8/2002 Pham D24/225
 D467,348 S * 12/2002 McMichael et al. D24/229
 D500,142 S * 12/2004 Crisanti et al. D24/224
 D512,512 S * 12/2005 Bell et al. D24/225
 D528,215 S * 9/2006 Malmsater D24/232
 D530,826 S * 10/2006 Rich et al. D24/225
 D531,321 S * 10/2006 Godfrey et al. D24/225
 D540,953 S * 4/2007 Ramel et al. D24/224
 D559,995 S * 1/2008 Handique et al. D24/232
 D621,060 S * 8/2010 Handique D24/225
 D636,893 S * 4/2011 Nicholls et al. D24/225
 D639,976 S * 6/2011 Francis et al. D24/225

D639,977 S * 6/2011 Francis et al. D24/225
 D640,389 S * 6/2011 Francis et al. D24/225
 D669,191 S * 10/2012 Handique D24/225
 8,330,951 B2 12/2012 Li et al.
 D676,145 S * 2/2013 Kouge et al. D24/225
 D679,024 S * 3/2013 Kouge et al. D24/225
 D692,578 S * 10/2013 Kikuhara et al. D24/216
 D700,711 S * 3/2014 Kikuhara et al. D24/216
 D702,364 S * 4/2014 Iqbal et al. D24/225
 8,709,787 B2 * 4/2014 Handique 435/283.1
 2011/0268630 A1 * 11/2011 Williams et al. 422/560

OTHER PUBLICATIONS

U.S. Appl. No. 29/477,936, Hamamatsu Photonics K.K.
 U.S. Appl. No. 29/477,937, Hamamatsu Photonics K.K.
 U.S. Appl. No. 29/477,946, Hamamatsu Photonics K.K.
 U.S. Appl. No. 29/477,957, Hamamatsu Photonics K.K.
 Leaflet "rSERS™ Raman Enhancing Media," Raman Systems, a wholly owned subsidiary of Agiltron, Inc., www.ramansystems.com.

* cited by examiner

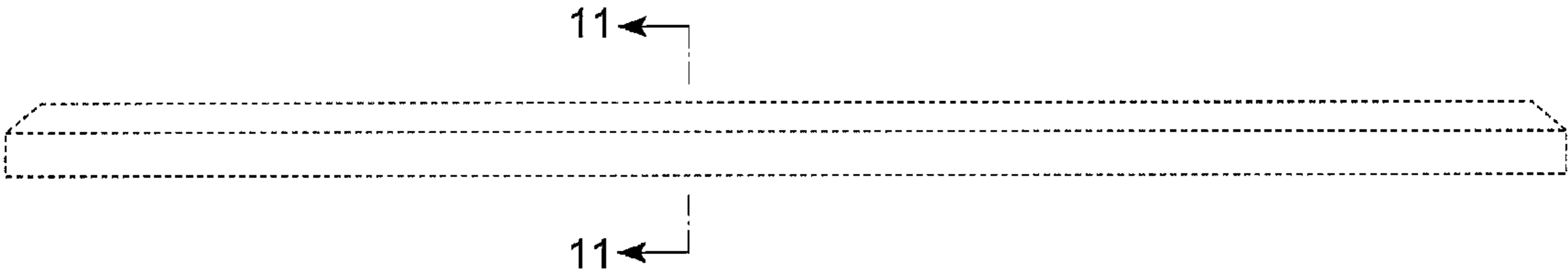


Fig.1

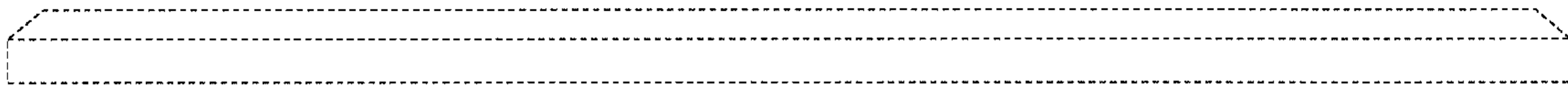


Fig.2

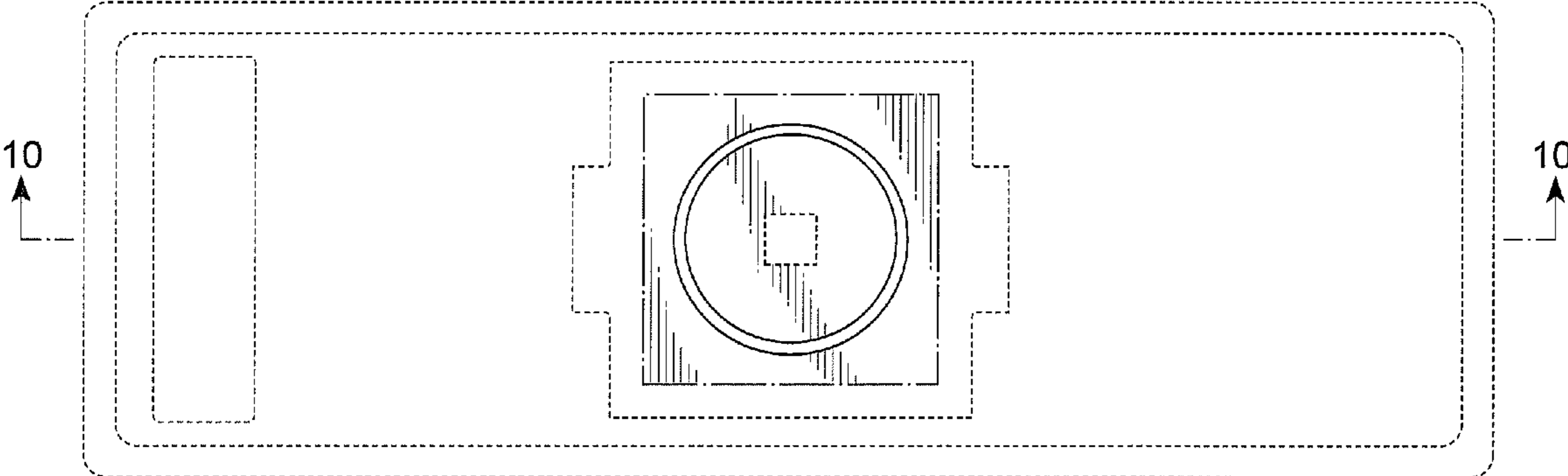


Fig.3

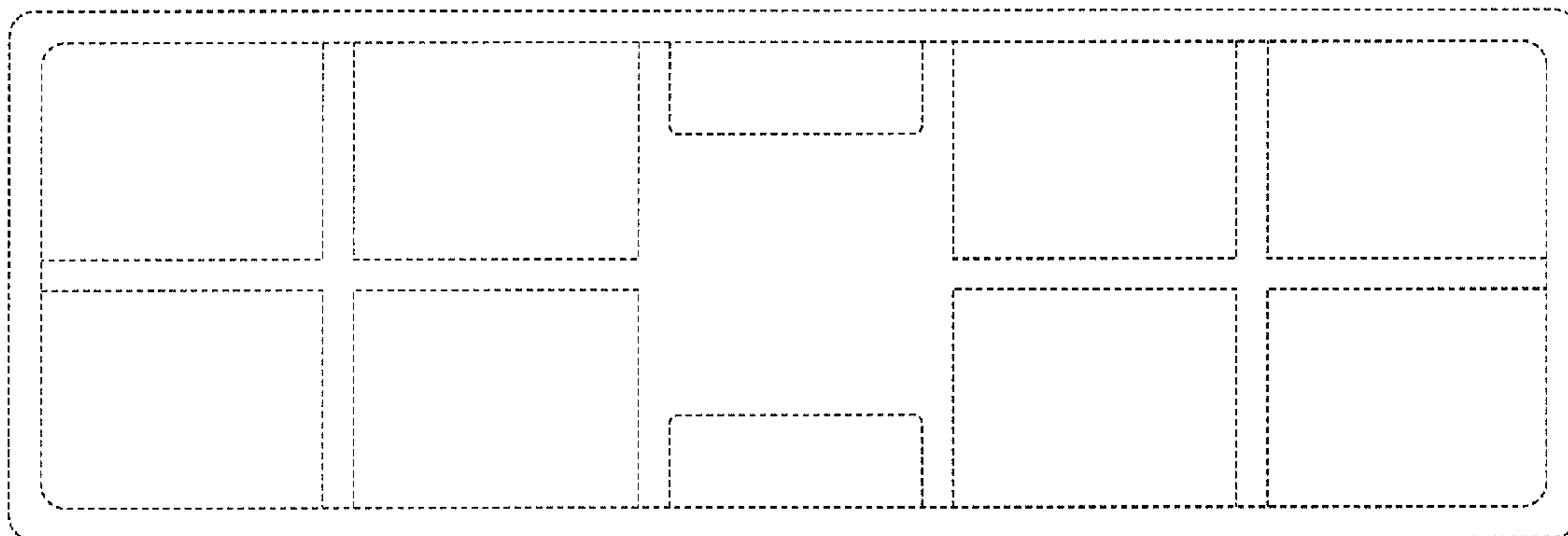


Fig.4

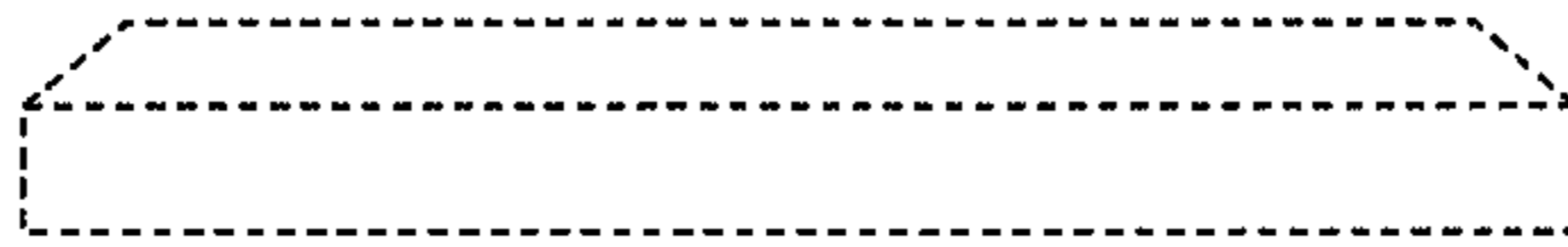


Fig.5

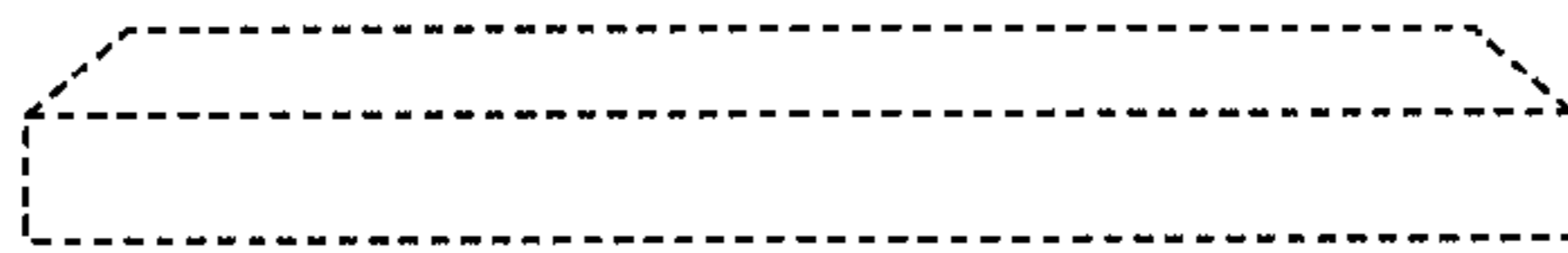


Fig.6

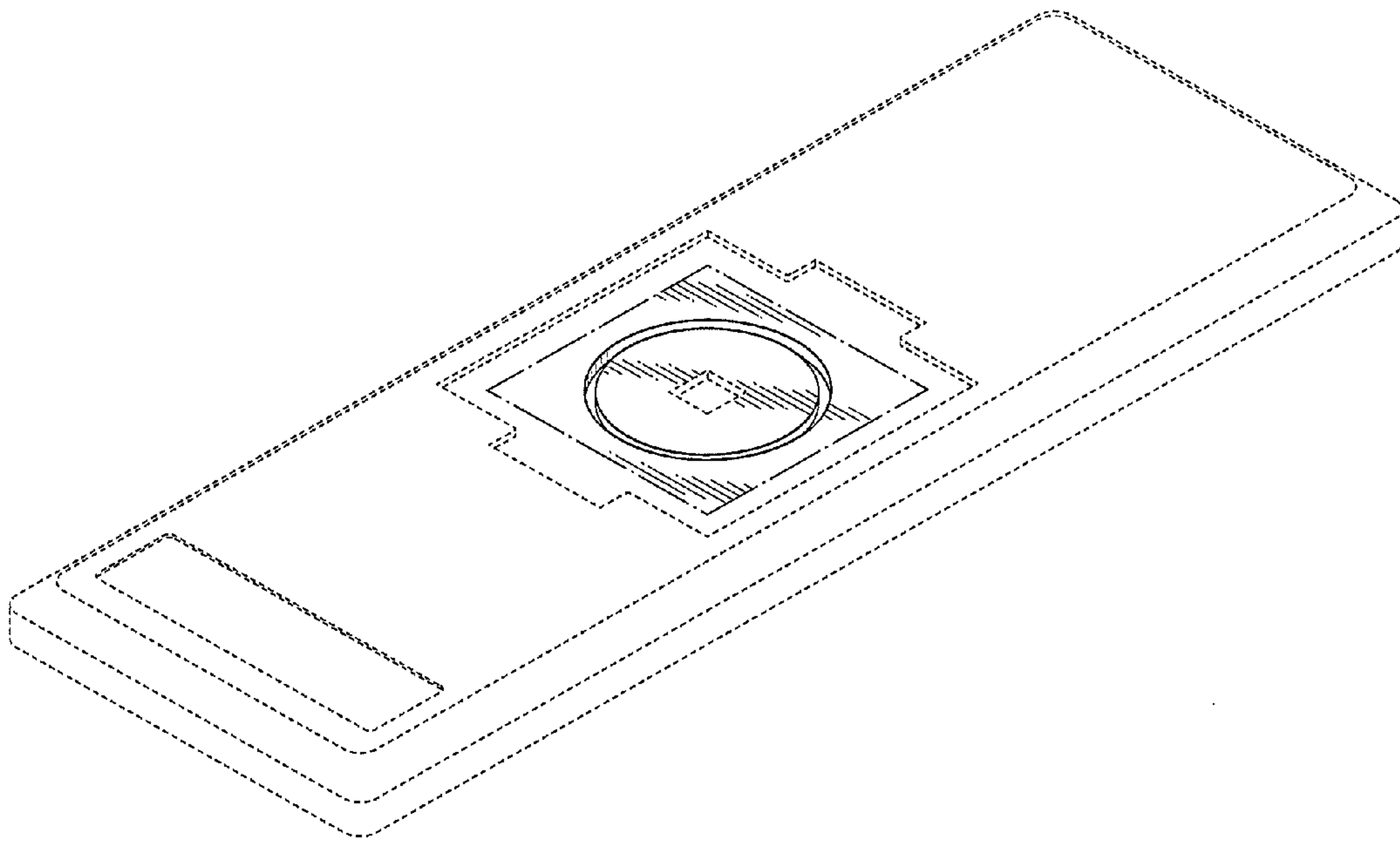


Fig.7

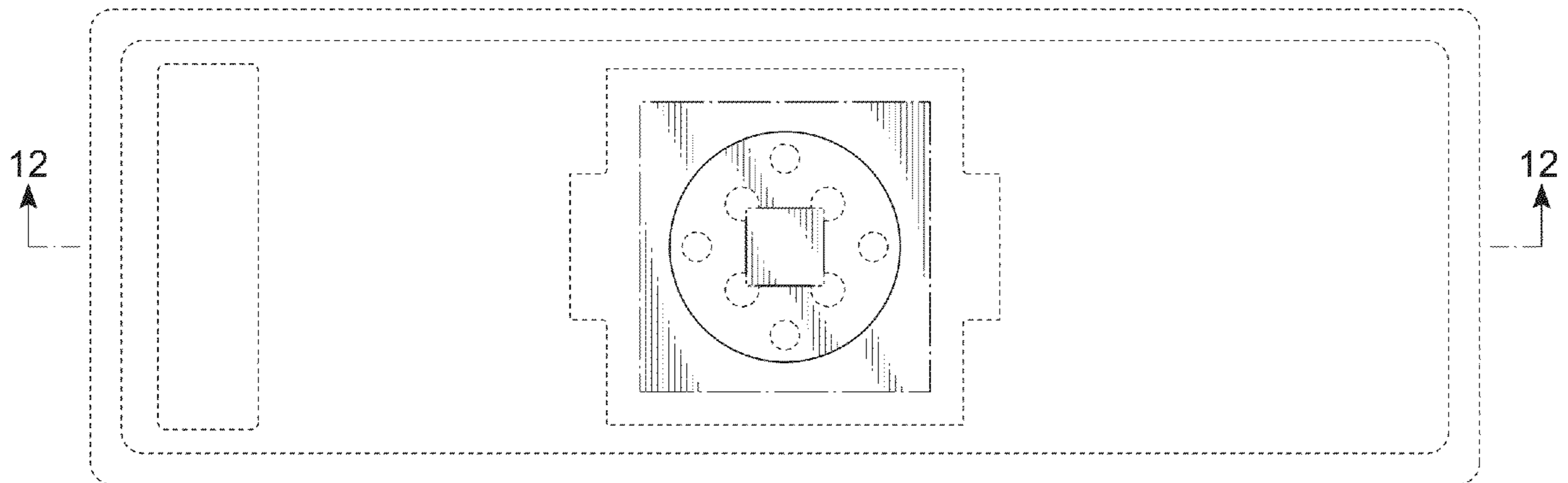


Fig.8

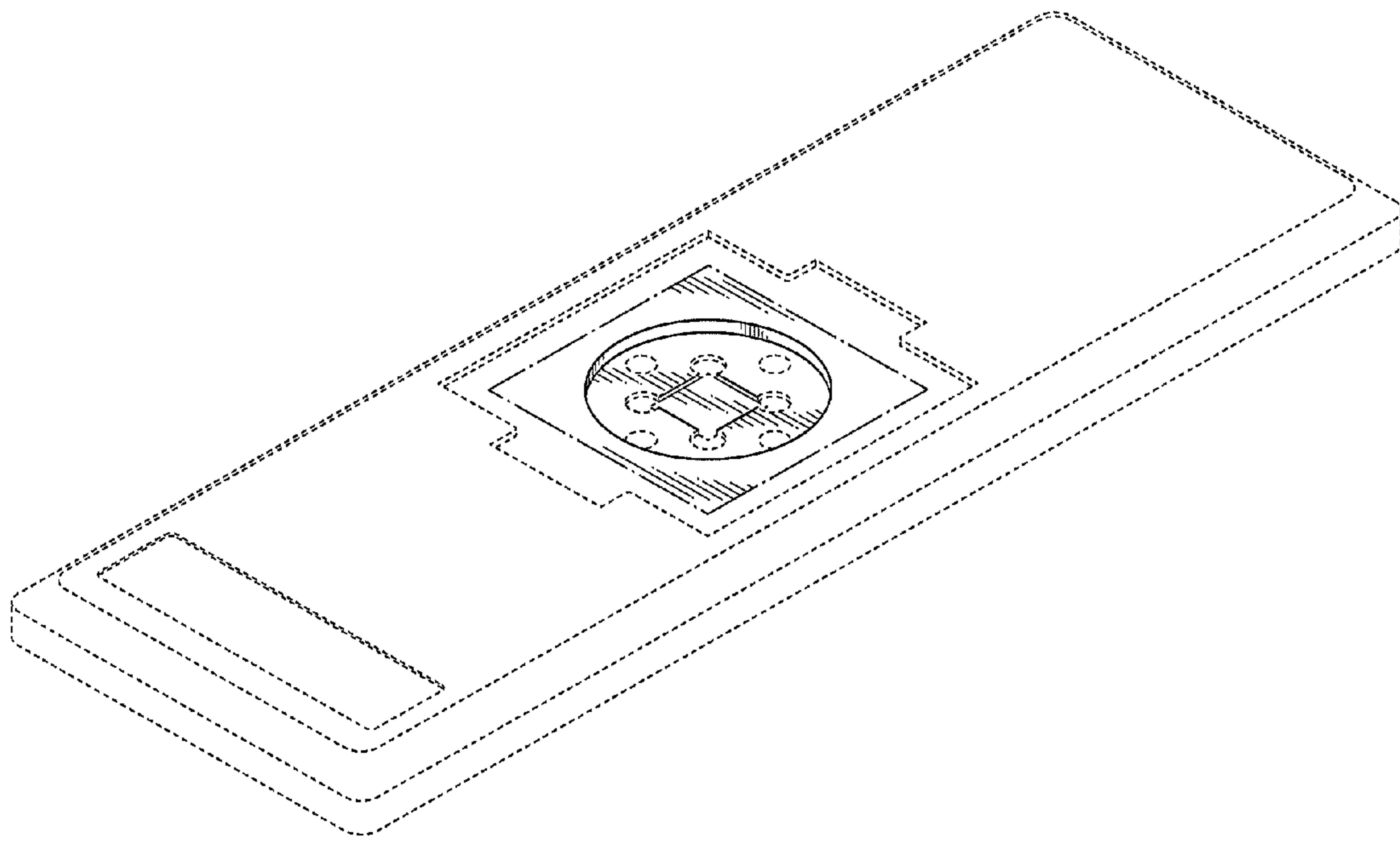


Fig.9

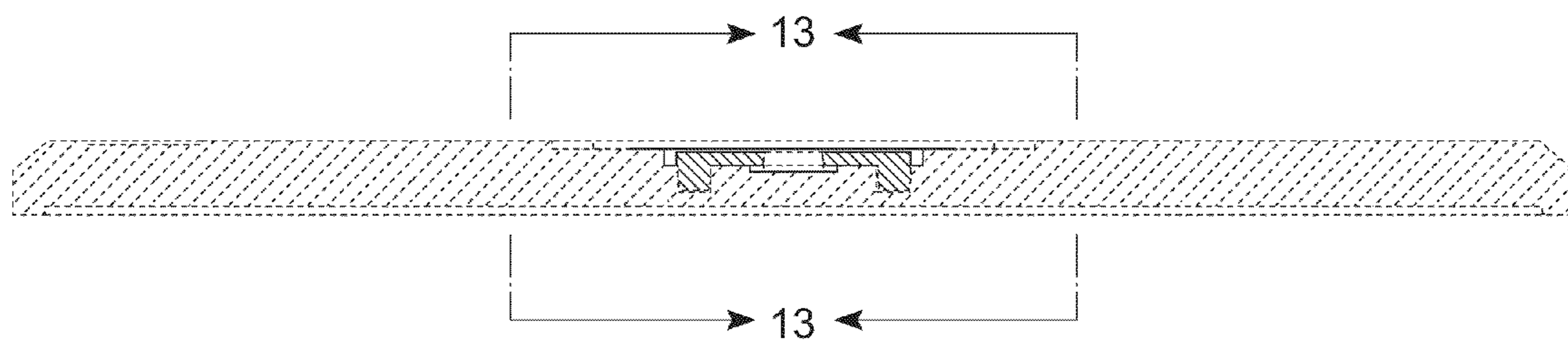


Fig.10

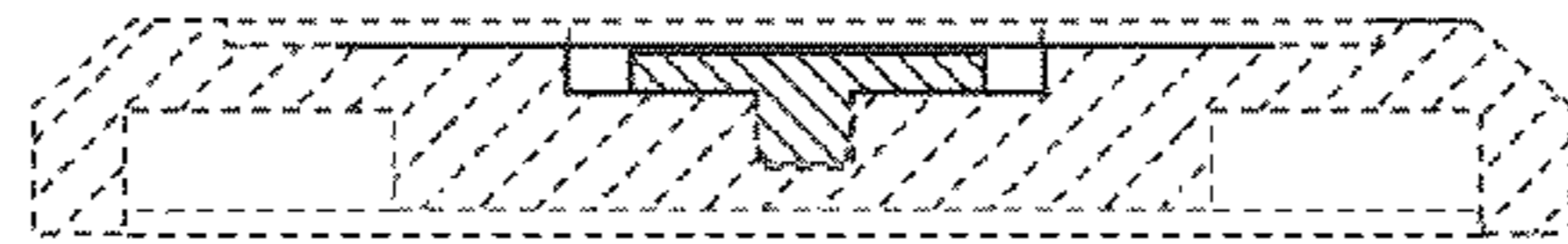


Fig.11



Fig.12

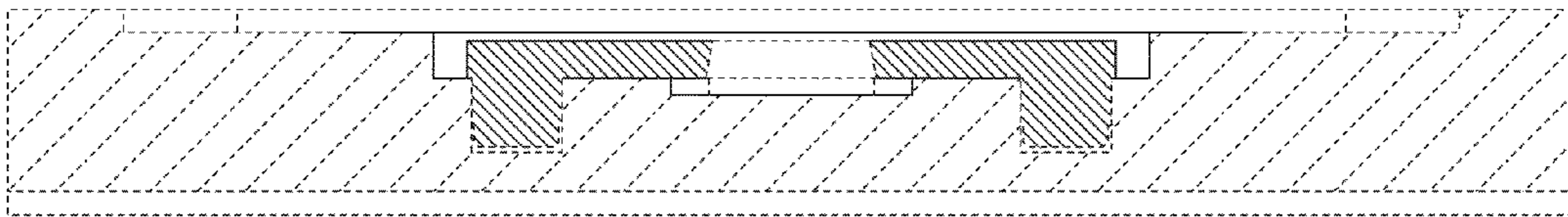


Fig.13

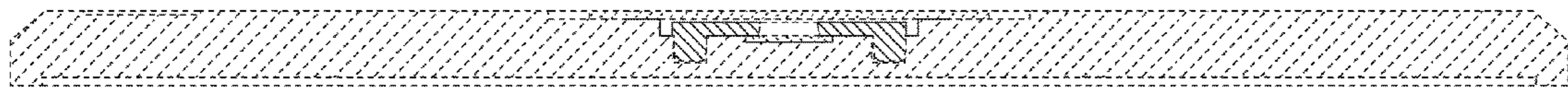


Fig.14