

US00D733910S

(12) **United States Design Patent**  
**Löhn**

(10) **Patent No.:** **US D733,910 S**  
(45) **Date of Patent:** **\*\* Jul. 7, 2015**

(54) **PIPETTE**

(71) Applicant: **Eppendorf AG**, Hamburg (DE)

(72) Inventor: **Jürgen Löhn**, Gross Meckelsen (DE)

(73) Assignee: **Eppendorf AG**, Hamburg (DE)

(\*\*) Term: **14 Years**

(21) Appl. No.: **29/484,902**

(22) Filed: **Mar. 13, 2014**

**Related U.S. Application Data**

(62) Division of application No. 29/411,111, filed on Jan. 17, 2012, now Pat. No. Des. 706,946.

(30) **Foreign Application Priority Data**

Dec. 22, 2011 (DE) ..... 40 2011 006 812  
Dec. 22, 2011 (DE) ..... 40 2011 006 818  
Dec. 22, 2011 (DE) ..... 40 2011 006 822  
Dec. 22, 2011 (DE) ..... 40 2011 006 826  
Dec. 22, 2011 (DE) ..... 40 2011 006 830

(51) **LOC (10) Cl.** ..... **24-02**

(52) **U.S. Cl.**  
USPC ..... **D24/222**

(58) **Field of Classification Search**  
USPC ..... D24/216, 222–226, 231, 232, 186, 169,  
D24/108, 112–115, 117, 121, 127, 130;  
D10/81; 422/521, 501–503; 73/863.32,  
73/864.01, 864.16, 864.17, 864.14,  
73/864.21; 436/180

See application file for complete search history.

(56) **References Cited**

U.S. PATENT DOCUMENTS

3,308,820 A 3/1967 Hubbard  
D229,748 S 1/1974 White  
4,108,175 A 8/1978 Orton  
D252,586 S \* 8/1979 Kovach ..... D24/222

(Continued)

*Primary Examiner* — Anhdao Doan

(74) *Attorney, Agent, or Firm* — White & Case LLP

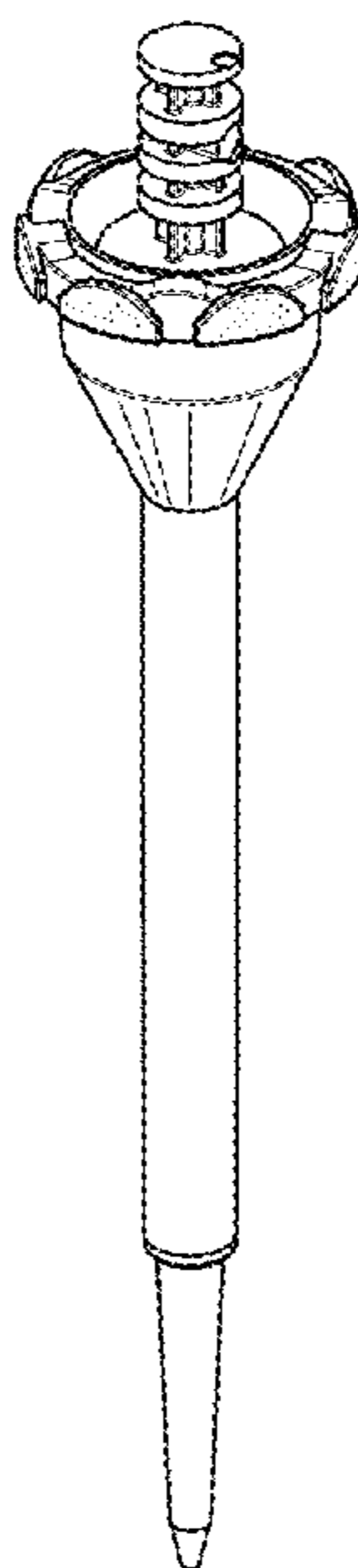
(57) **CLAIM**

The ornamental design for a pipette, as shown and described.

**DESCRIPTION**

FIG. 1 is a left side view of a first embodiment of a pipette showing my new design;  
FIG. 2 is a front side view of the design of FIG. 1;  
FIG. 3 is a right side perspective view of the design of FIG. 1;  
FIG. 4 is top perspective view of the design of FIG. 1;  
FIG. 5 is a left side view of the design of FIG. 1, showing the outer pipette cylinder and internal piston as separate components; and  
FIG. 6 is a top plan view of the design of FIG. 1;  
FIG. 7 is a bottom plan view of the design of FIG. 1;  
FIG. 8 is left side view of a second embodiment of a pipette showing my new design;  
FIG. 9 is a front side view of the design of FIG. 8;  
FIG. 10 is a right side perspective view of the design of FIG. 8;  
FIG. 11 is a top perspective view of the design of FIG. 8;  
FIG. 12 is a left side view of the design of FIG. 8, showing the outer pipette cylinder and internal piston as separate components;  
FIG. 13 is a top plan view of the design of FIG. 8; and,  
FIG. 14 is a bottom plan view of the design of FIG. 8.

**1 Claim, 12 Drawing Sheets**



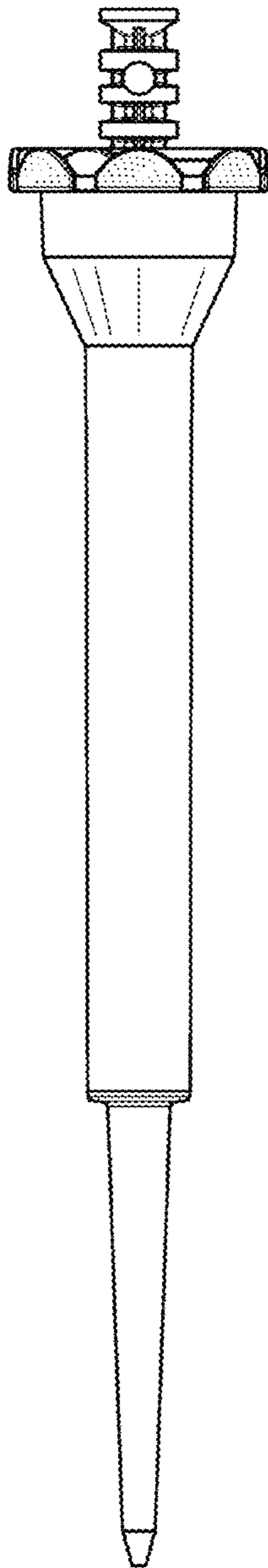
(56)

References Cited

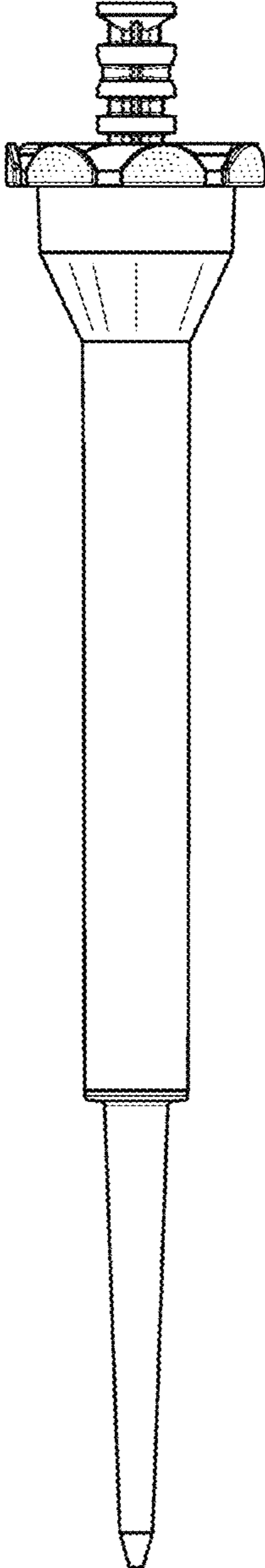
U.S. PATENT DOCUMENTS

4,164,870	A	8/1979	Scordato et al.	5,482,864	A	1/1996	Knobel
D254,445	S	3/1980	Boghosian	D384,162	S	9/1997	Husar et al.
D268,131	S	3/1983	St. Amand	D384,163	S	9/1997	Husar et al.
4,418,580	A	12/1983	Satchell et al.	D387,425	S	12/1997	Niedospial et al.
4,679,446	A	7/1987	Sheehan et al.	D387,426	S	12/1997	Husar et al.
D300,561	S	4/1989	Asa et al.	5,705,062	A	1/1998	Knobel
5,002,737	A	3/1991	Tervamaki	5,747,709	A	5/1998	Oshikubo
5,084,241	A	1/1992	Parker	5,770,159	A	6/1998	Marteau D'Autry
5,192,511	A	3/1993	Roach ..... 73/864.01	D437,797	S	2/2001	Bishop
5,406,856	A	4/1995	Kuhn	6,461,808	B1	10/2002	Bodner et al.
5,435,197	A	7/1995	Telimaa et al.	7,185,551	B2	3/2007	Schwartz
D365,146	S	12/1995	Olson	7,690,274	B2	4/2010	Telimaa et al.
				2008/0138249	A1	6/2008	Itoh
				2011/0263005	A1	10/2011	Chang et al.

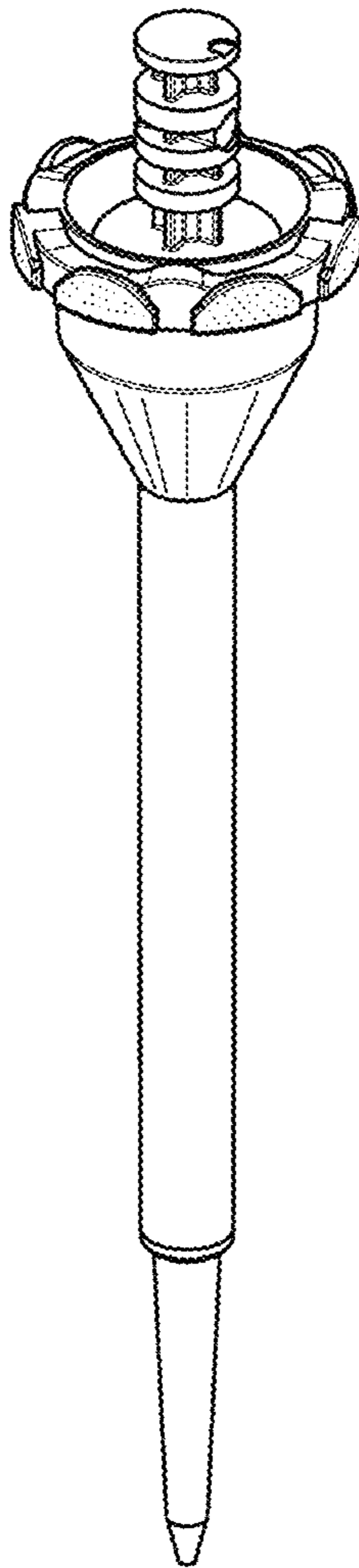
\* cited by examiner



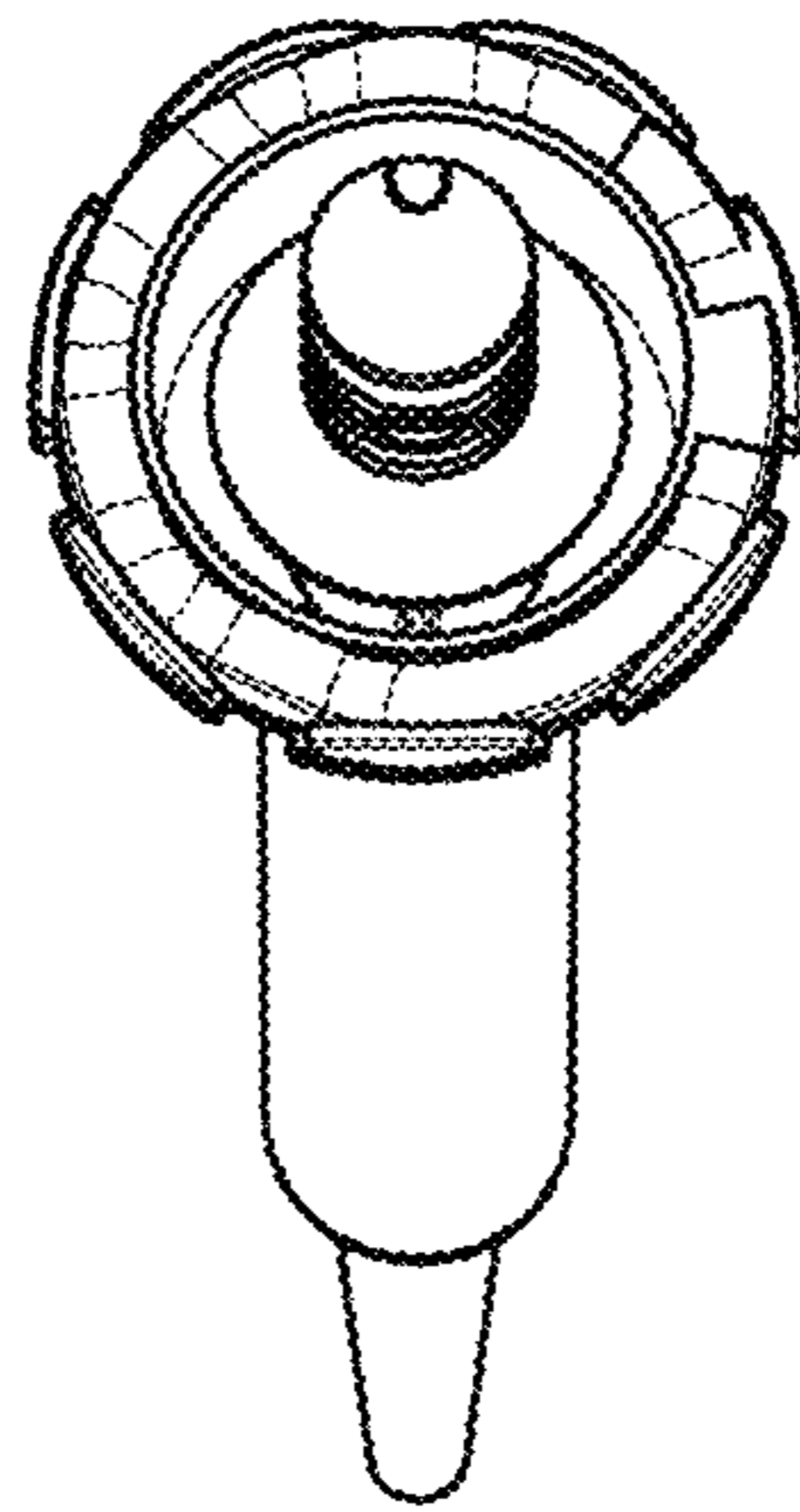
**Fig. 1**



**Fig. 2**

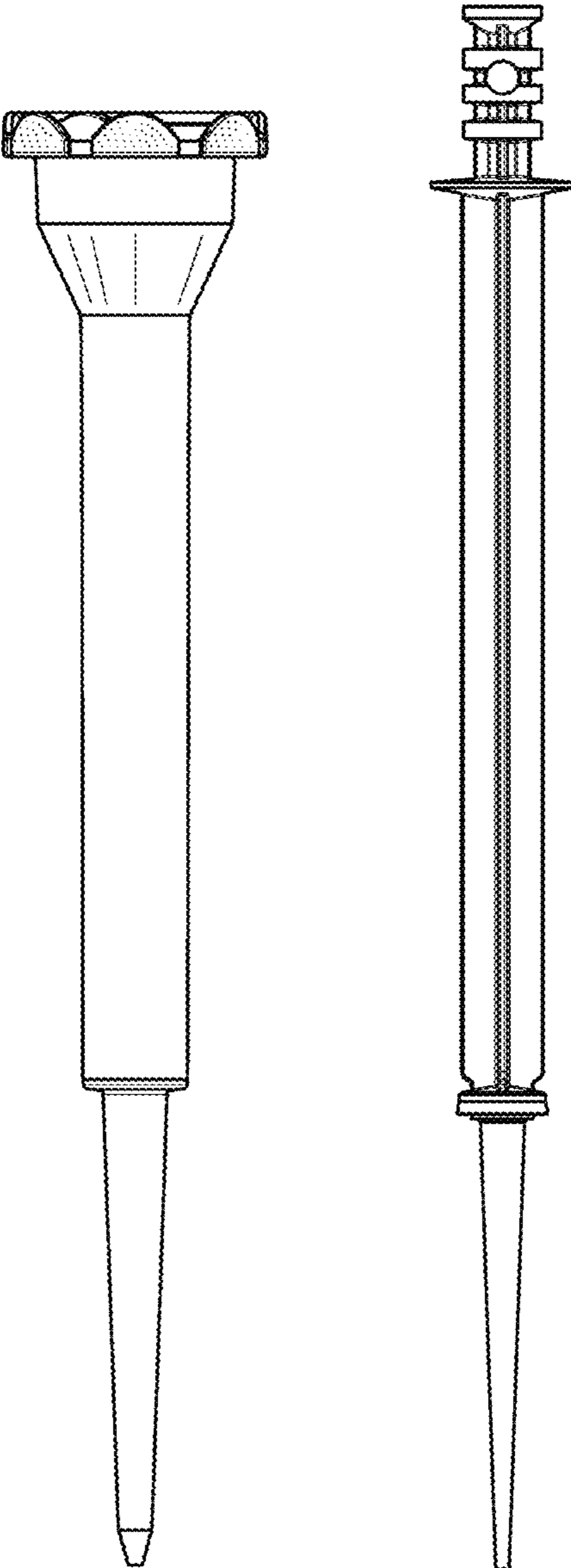


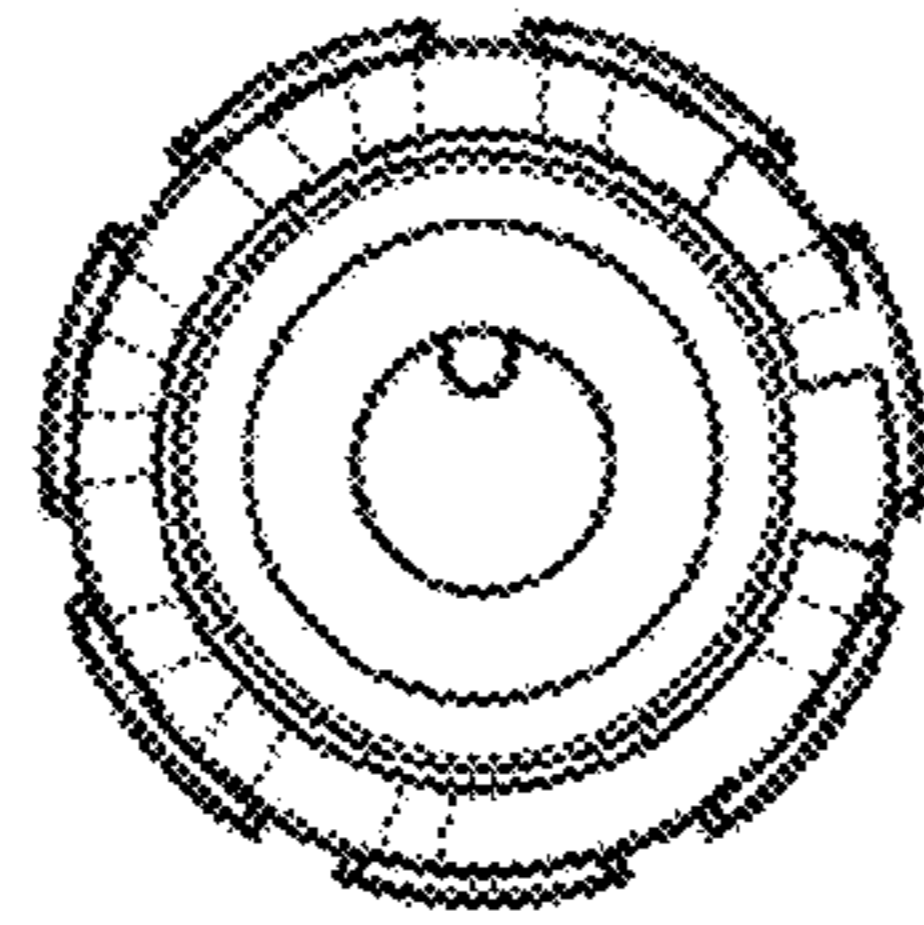
**Fig. 3**



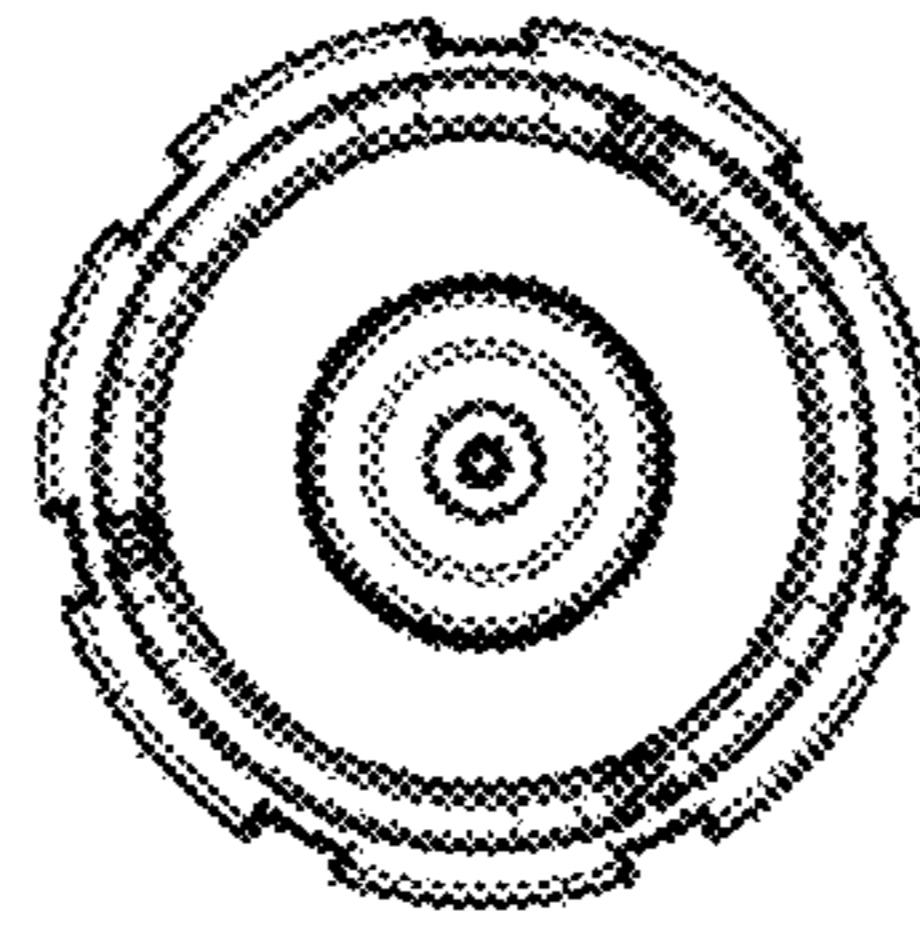
**Fig. 4**

**Fig. 5**



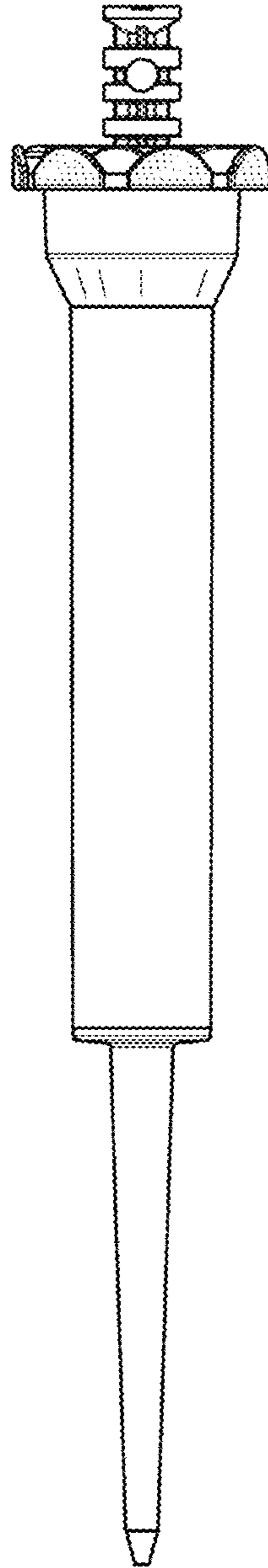


**Fig. 6**

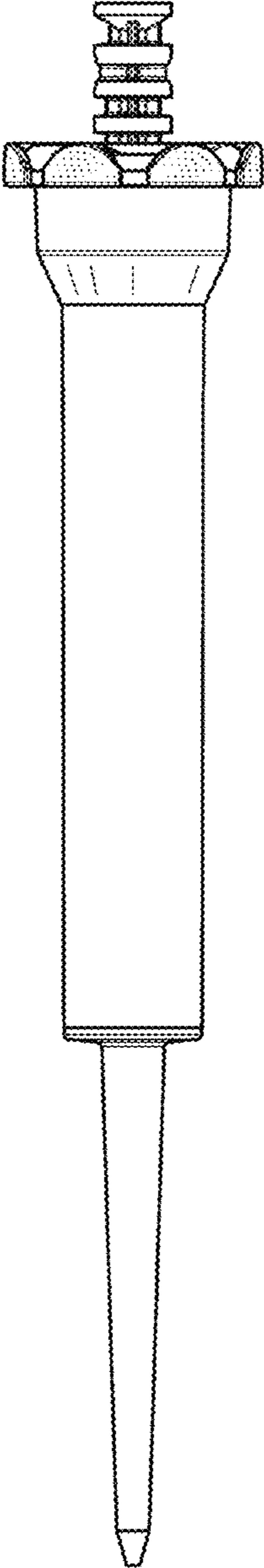


**Fig. 7**

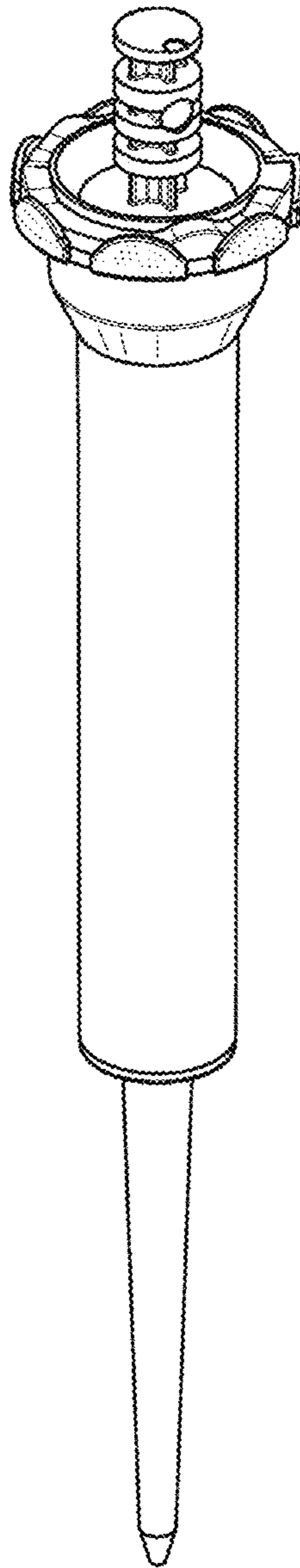




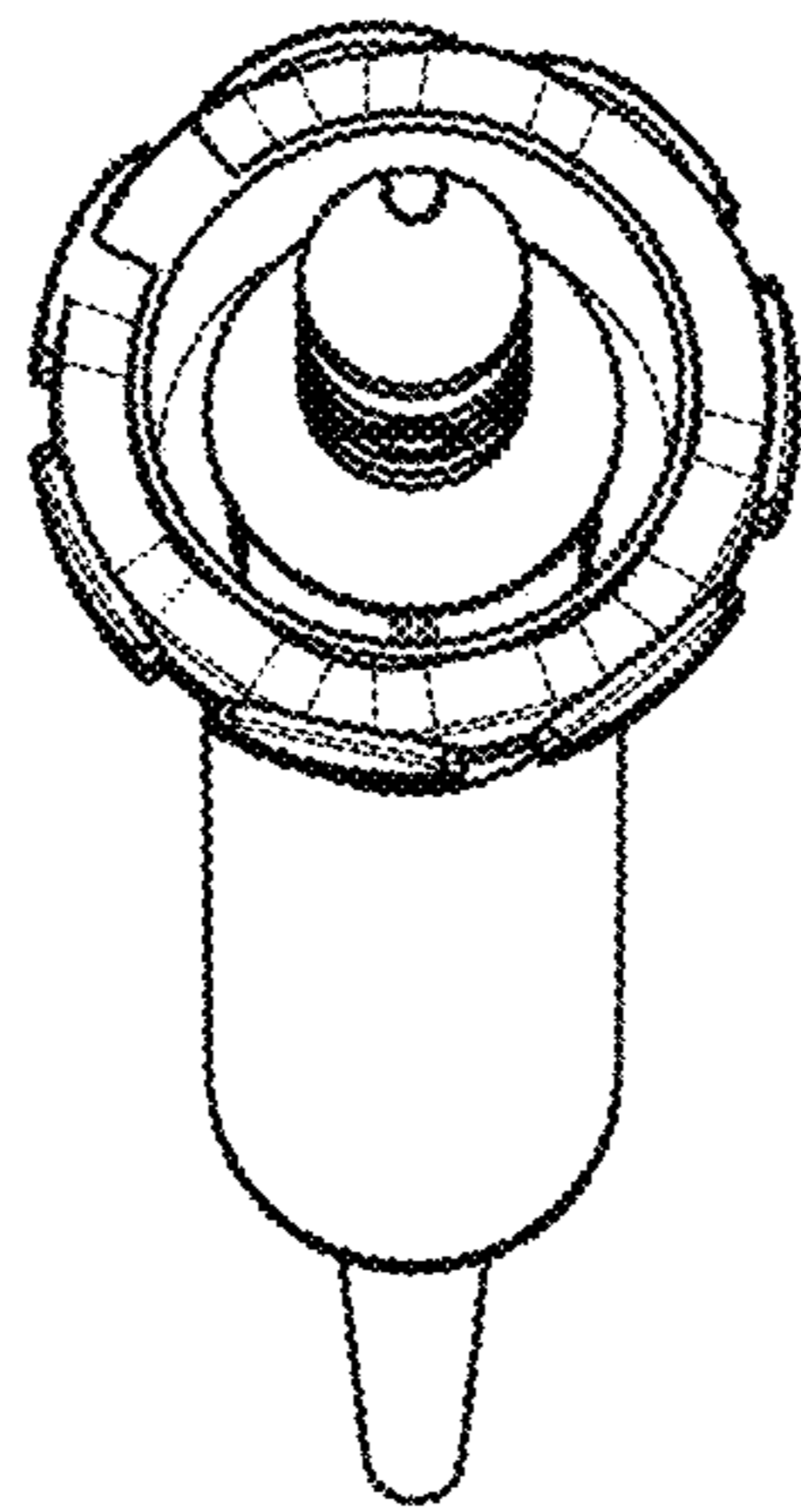
**Fig. 8**



**Fig. 9**

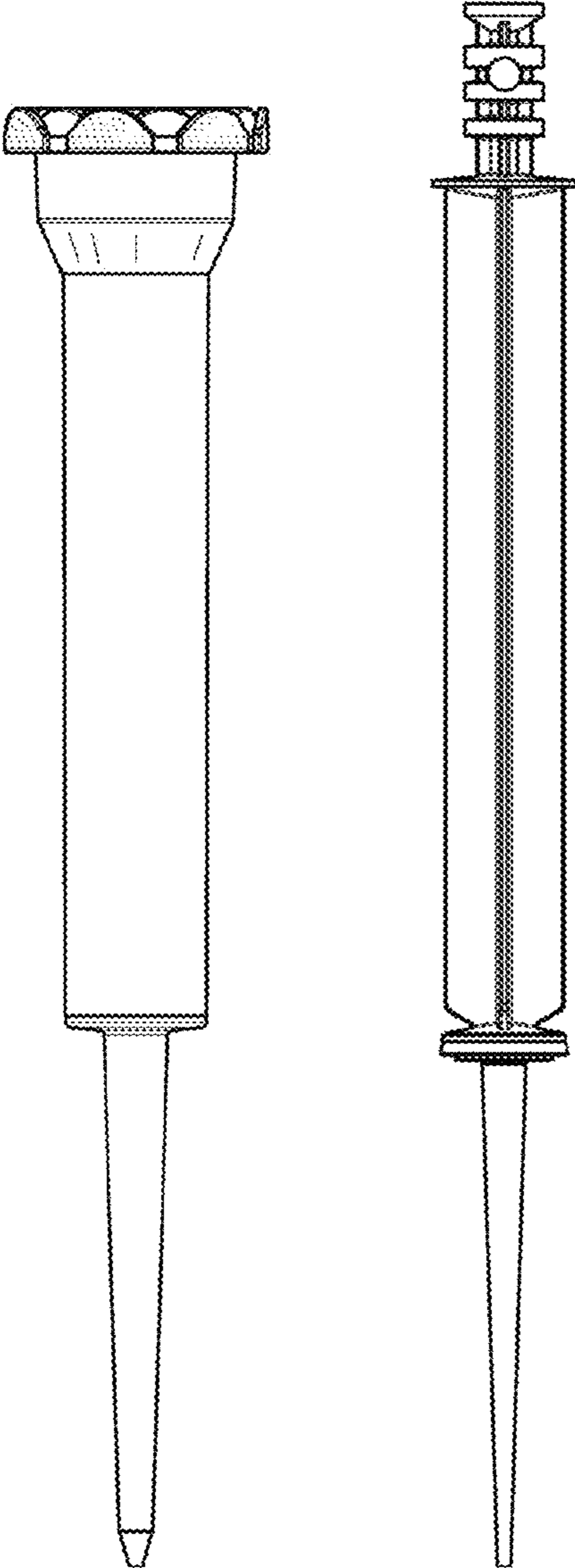


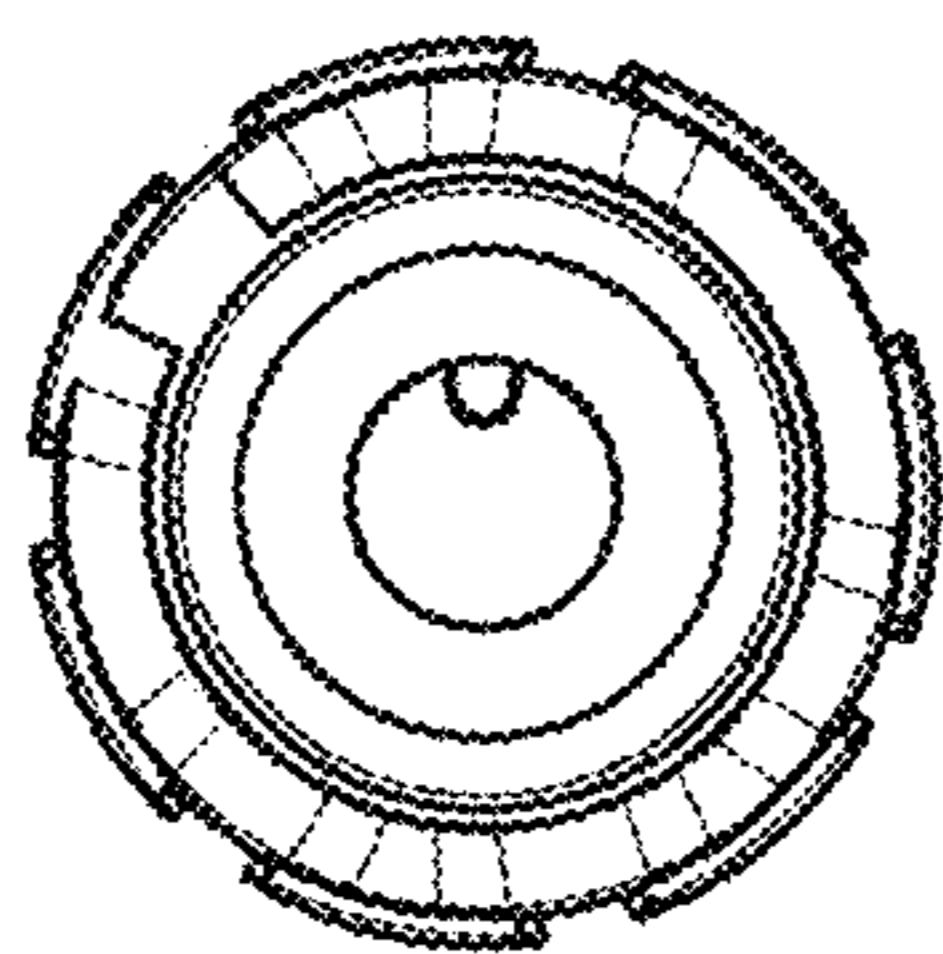
**Fig. 10**



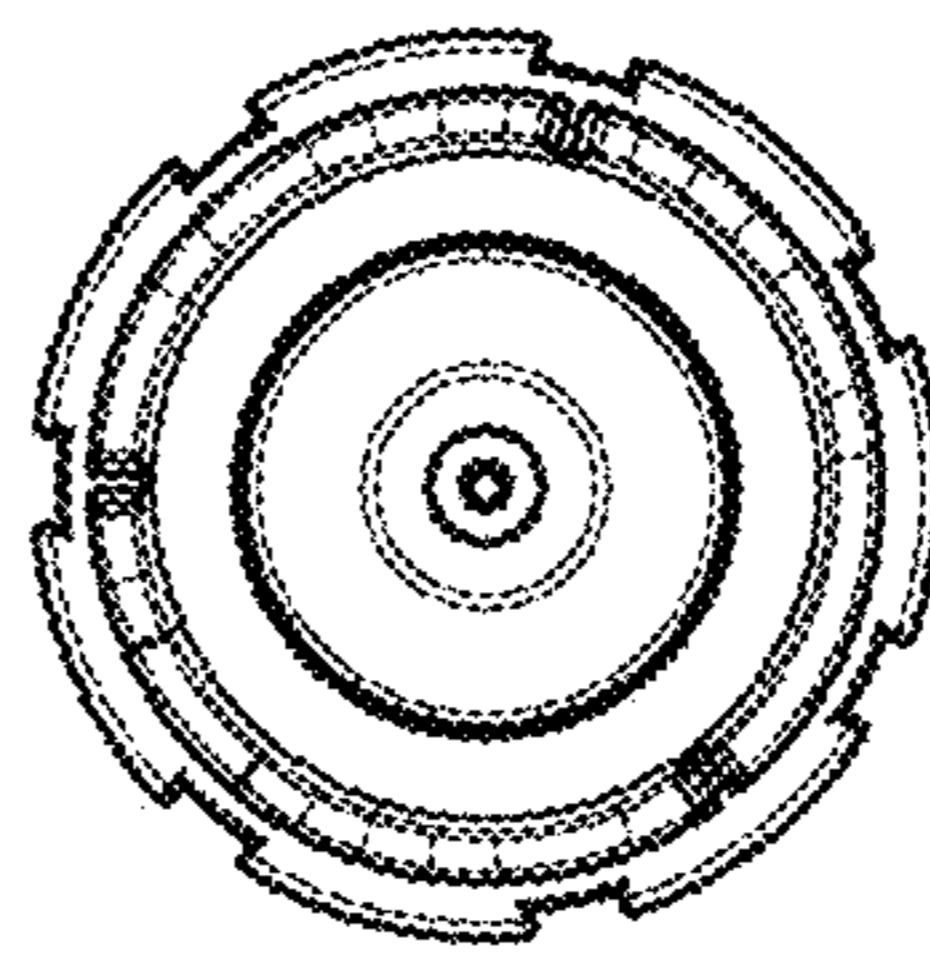
**Fig. 11**

Fig. 12





**Fig. 13**



**Fig. 14**