



US00D733909S

(12) **United States Design Patent**
Löhn

(10) **Patent No.:** **US D733,909 S**
(45) **Date of Patent:** **** Jul. 7, 2015**

(54) **PIPETTE**

(71) Applicant: **Eppendorf AG**, Hamburg (DE)

(72) Inventor: **Jürgen Löhn**, Gross Meckelsen (DE)

(73) Assignee: **Eppendorf AG**, Hamburg (DE)

(**) Term: **14 Years**

(21) Appl. No.: **29/484,896**

(22) Filed: **Mar. 13, 2014**

Related U.S. Application Data

(62) Division of application No. 29/411,111, filed on Jan. 17, 2012, now Pat. No. Des. 706,946.

(30) **Foreign Application Priority Data**

Dec. 22, 2011	(DE)	40 2011 006 812
Dec. 22, 2011	(DE)	40 2011 006 818
Dec. 22, 2011	(DE)	40 2011 006 822
Dec. 22, 2011	(DE)	40 2011 006 826
Dec. 22, 2011	(DE)	40 2011 006 830

(51) **LOC (10) Cl.** **24-02**

(52) **U.S. Cl.**
USPC **D24/222**

(58) **Field of Classification Search**
USPC D24/216, 222–226, 231, 232, 186, 169,
D24/108, 112–115, 117, 121, 127, 130;
D10/81; 422/521, 501–503; 73/863.32,
73/864.01, 864.16, 864.17, 864.14,
73/864.21; 436/180

See application file for complete search history.

(56) **References Cited**

U.S. PATENT DOCUMENTS

3,308,820	A	3/1967	Hubbard	
D229,748	S	1/1974	White	
4,108,175	A	8/1978	Orton	
D252,586	S	8/1979	Kovach D24/222

(Continued)

Primary Examiner — Anhdao Doan

(74) *Attorney, Agent, or Firm* — White & Case LLP

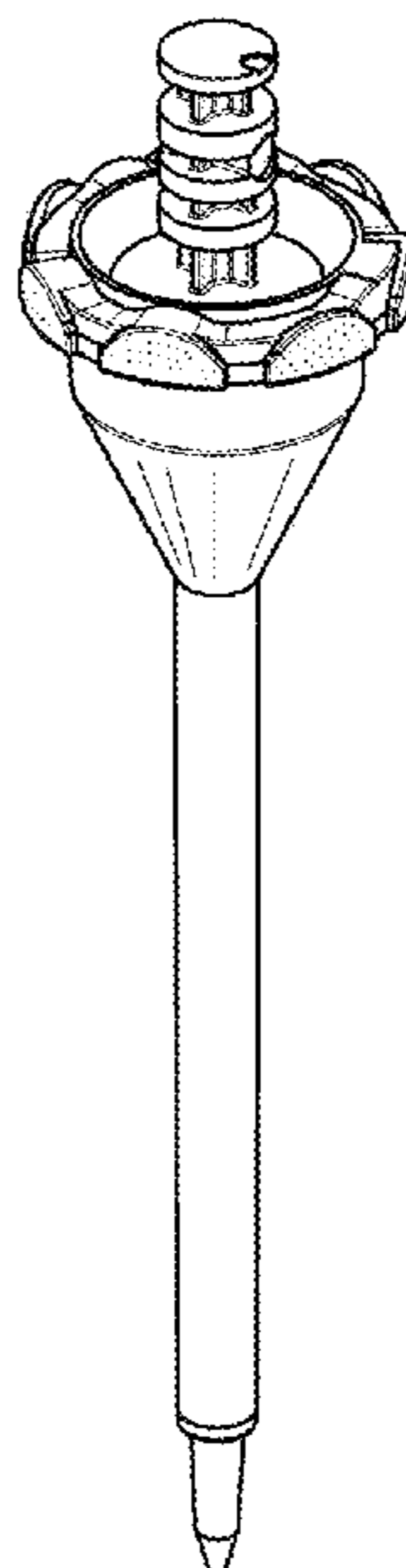
(57) **CLAIM**

The ornamental design for a pipette, as shown and described.

DESCRIPTION

FIG. 1 is a left side view of a first embodiment of a pipette showing my new design;
 FIG. 2 is a front side view of the design of FIG. 1;
 FIG. 3 is a right side perspective view of the design of FIG. 1;
 FIG. 4 is top perspective view of the design of FIG. 1;
 FIG. 5 is a left side view of the design of FIG. 1, showing the outer pipette cylinder and internal piston as separate components; and,
 FIG. 6 is a top plan view of the design of FIG. 1;
 FIG. 7 is a bottom plan view of the design of FIG. 1;
 FIG. 8 is left side view of a second embodiment of a pipette showing my new design;
 FIG. 9 is a front side view of the design of FIG. 8;
 FIG. 10 is a right side perspective view of the design of FIG. 8;
 FIG. 11 is a top perspective view of the design of FIG. 8;
 FIG. 12 is a left side view of the design of FIG. 8, showing the outer pipette cylinder and internal piston as separate components;
 FIG. 13 is a top plan view of the design of FIG. 8; and,
 FIG. 14 is a bottom plan view of the design of FIG. 8.

1 Claim, 12 Drawing Sheets



(56)

References Cited

U.S. PATENT DOCUMENTS

4,164,870 A	8/1979	Scordato et al.	5,482,864 A	1/1996	Knobel
D254,445 S	3/1980	Boghosian	D384,162 S	9/1997	Husar et al.
D268,131 S	3/1983	St. Amand	D384,163 S	9/1997	Husar et al.
4,418,580 A	12/1983	Satchell et al.	D387,425 S	12/1997	Niedospial et al.
4,679,446 A	7/1987	Sheehan et al.	D387,426 S	12/1997	Husar et al.
D300,561 S	4/1989	Asa et al.	5,705,062 A	1/1998	Knobel
5,002,737 A	3/1991	Tervamaki	5,747,709 A	5/1998	Oshikubo
5,084,241 A	1/1992	Parker	5,770,159 A	6/1998	Marteau D'Autry
5,192,511 A *	3/1993	Roach 73/864.01	D437,797 S	2/2001	Bishop
5,406,856 A	4/1995	Kuhn	6,461,808 B1	10/2002	Bodner et al.
5,435,197 A	7/1995	Telimaa et al.	7,185,551 B2	3/2007	Schwartz
D365,146 S	12/1995	Olson	7,690,274 B2	4/2010	Telimaa et al.
			2008/0138249 A1	6/2008	Itoh
			2011/0263005 A1	10/2011	Chang et al.

* cited by examiner

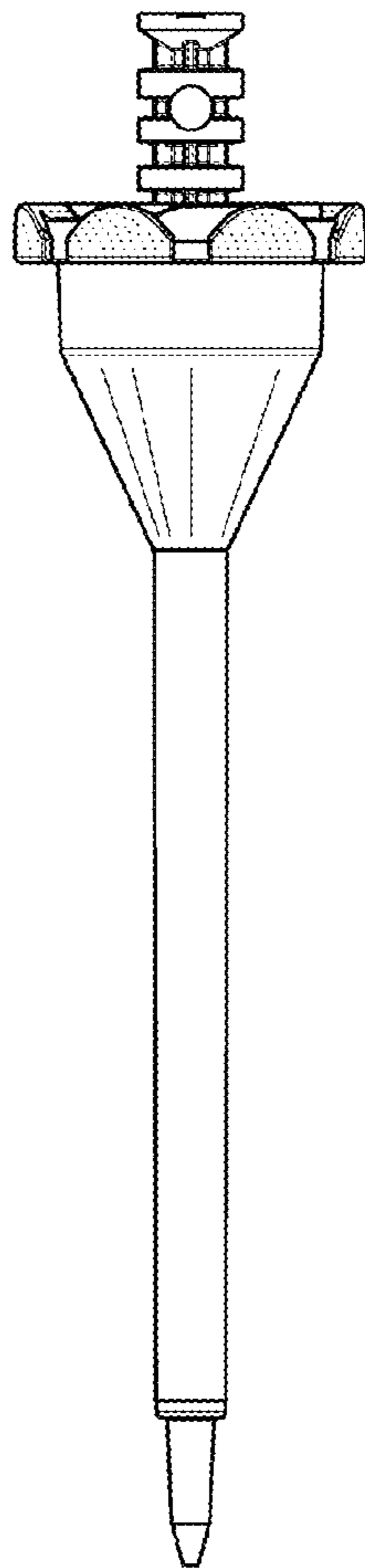


Fig. 1

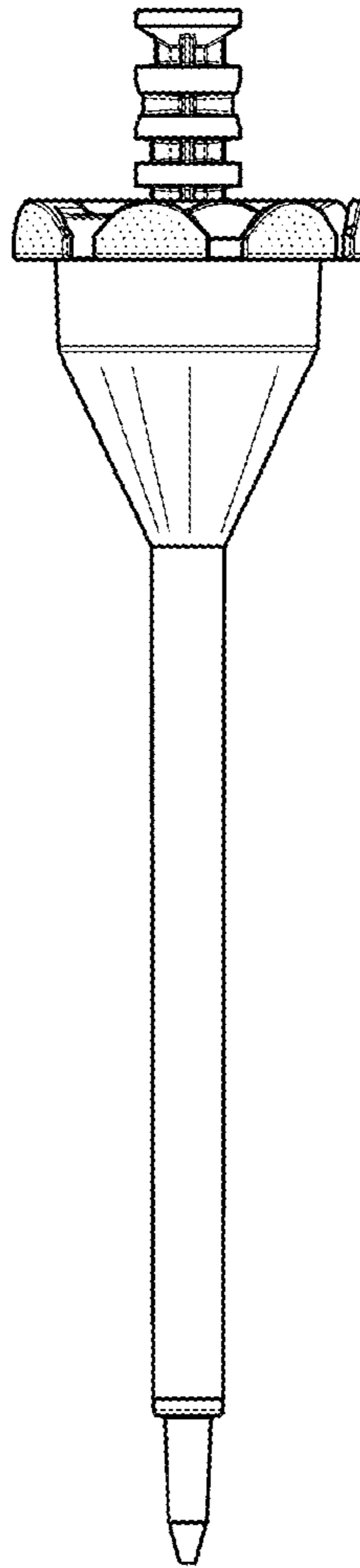


Fig. 2

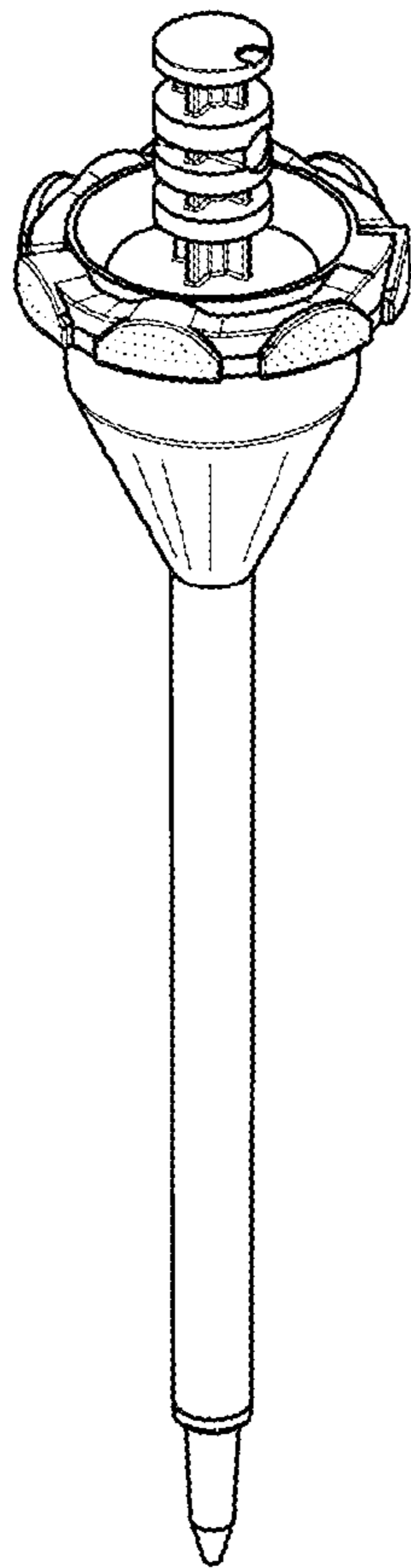


Fig. 3

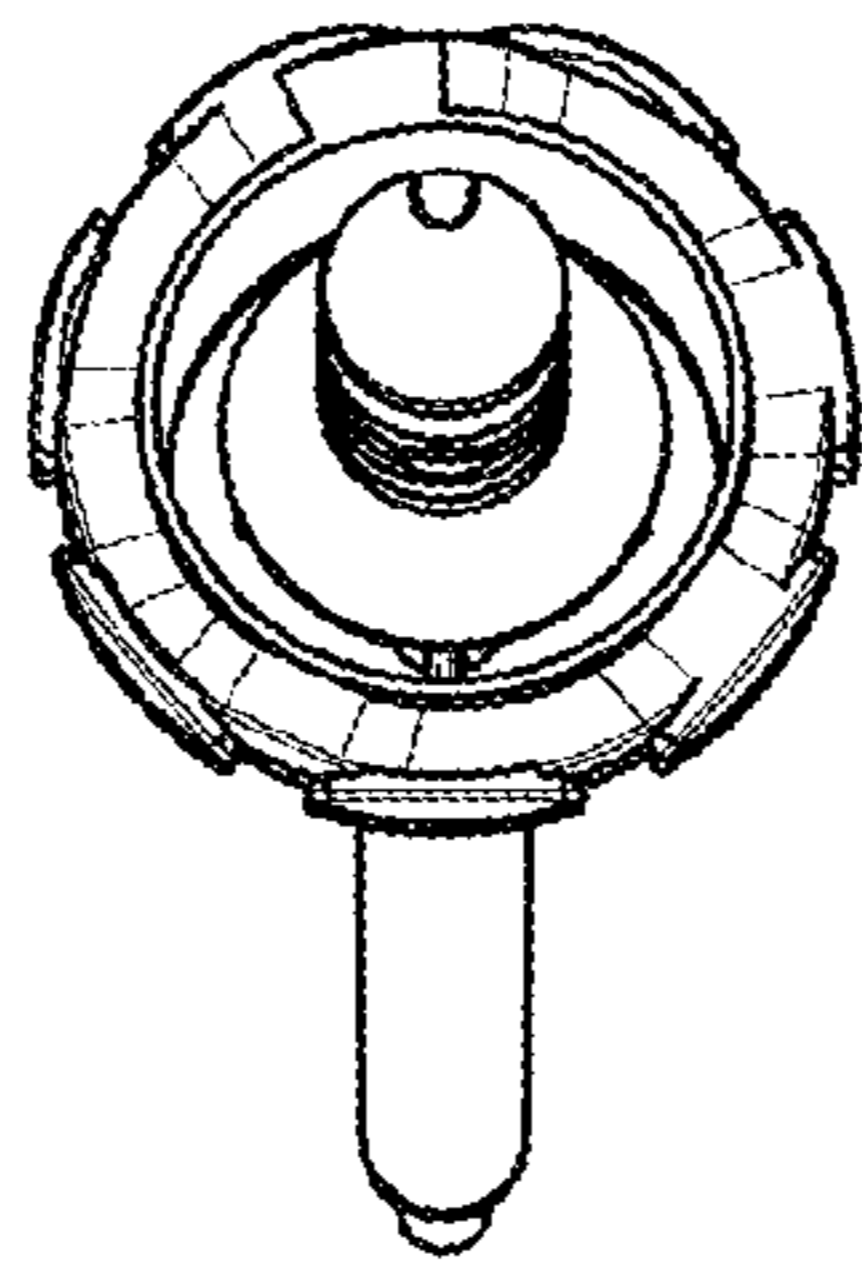
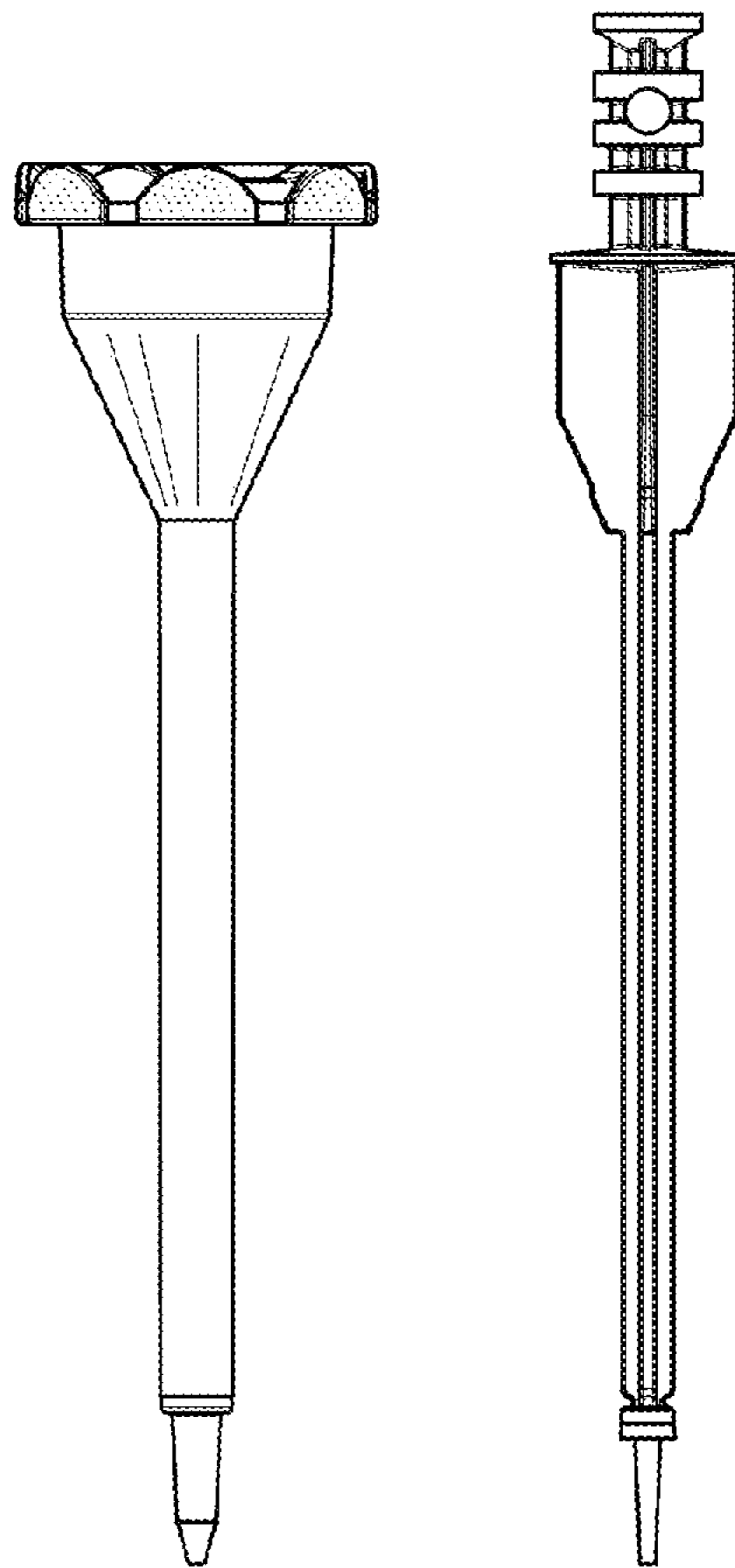


Fig. 4

Fig. 5



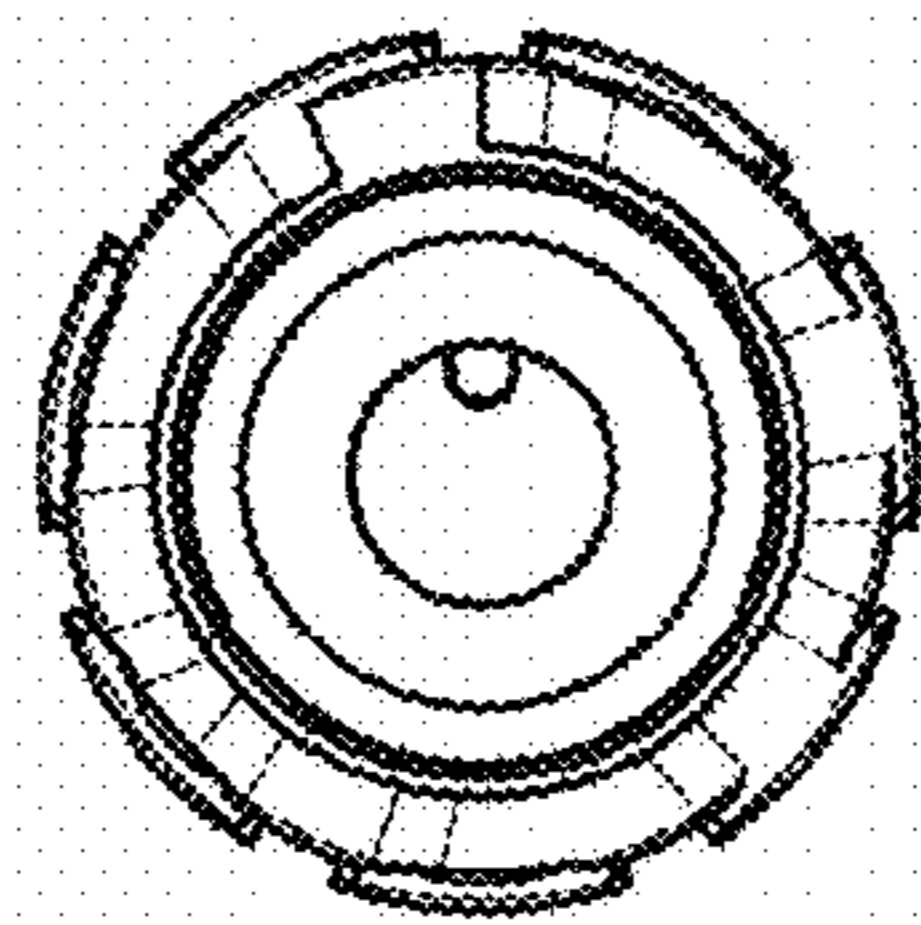


Fig. 6

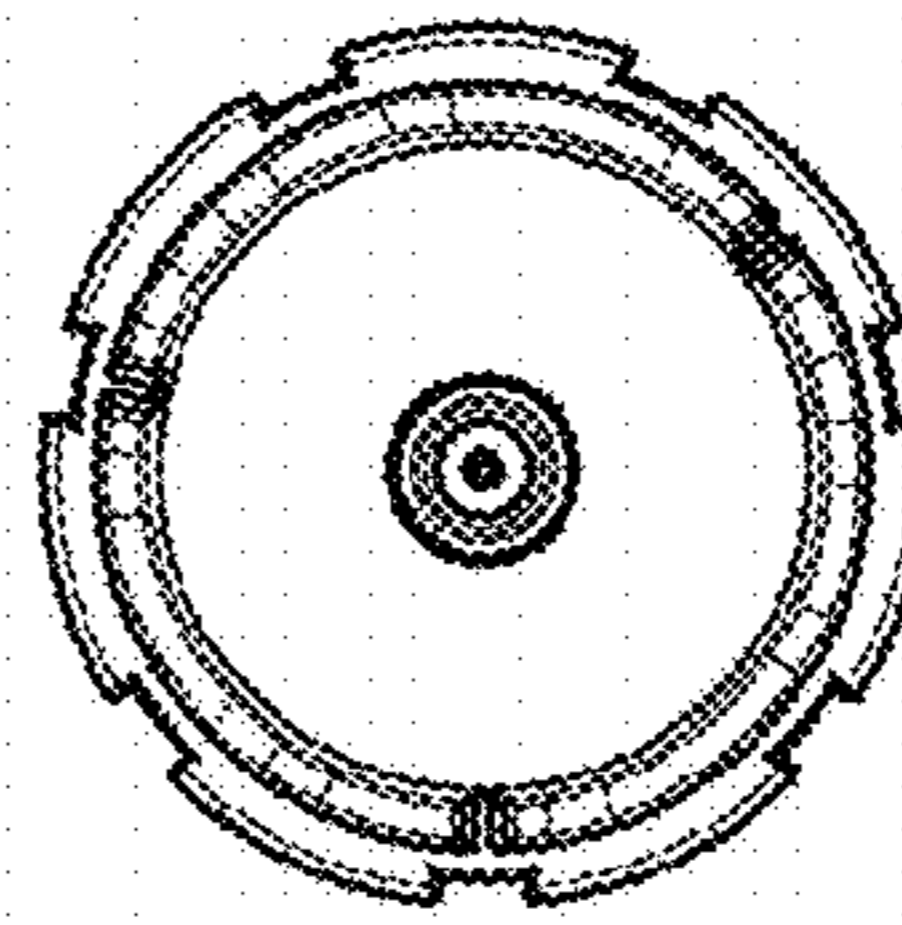


Fig. 7

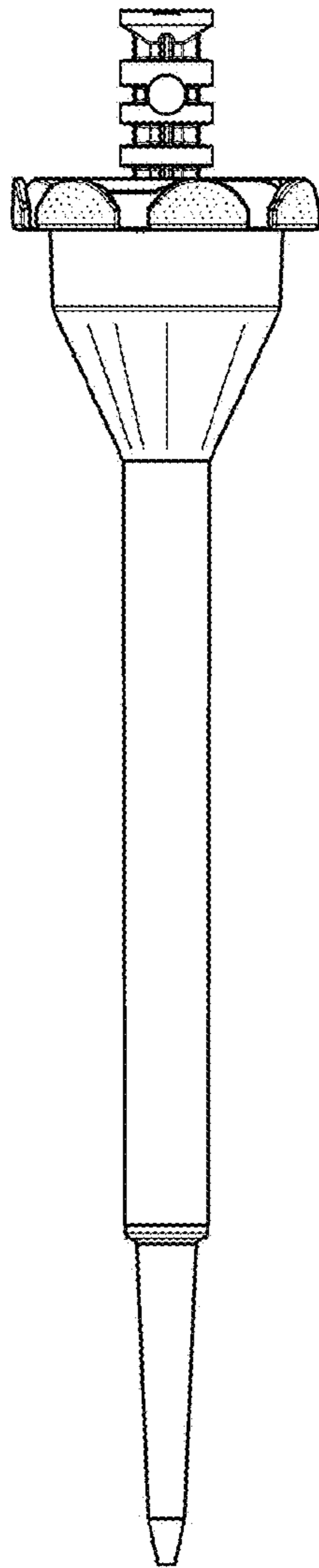


Fig. 8

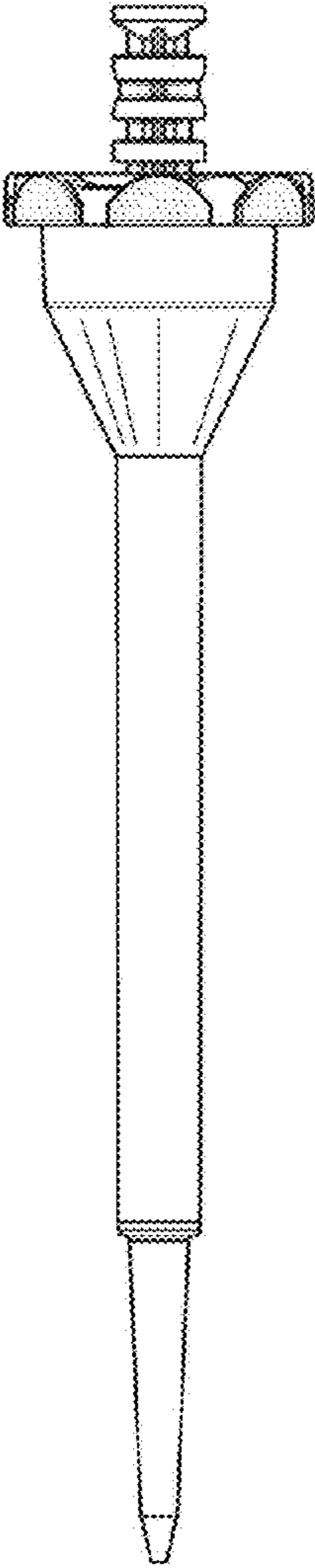


Fig. 9

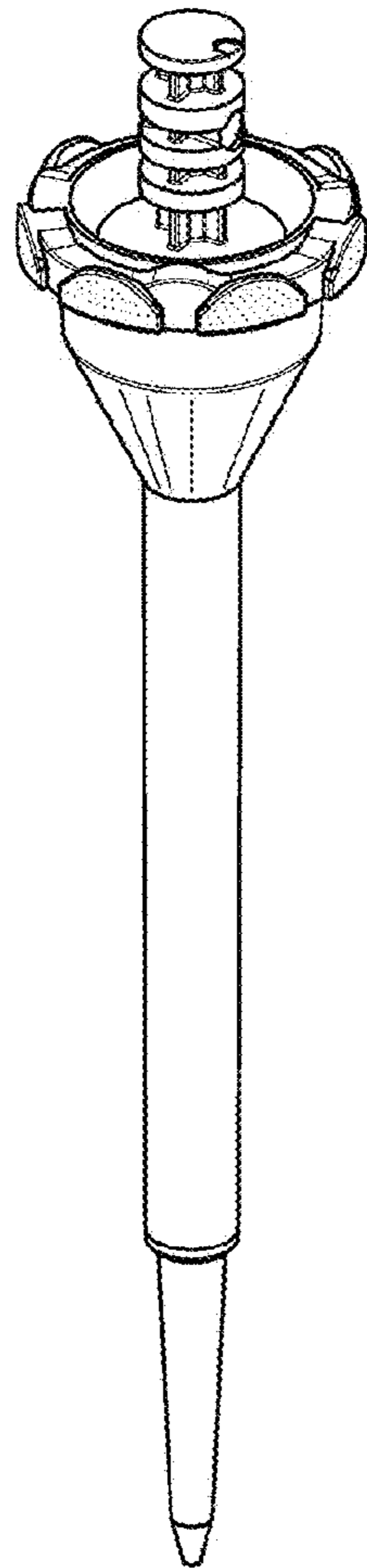


Fig. 10

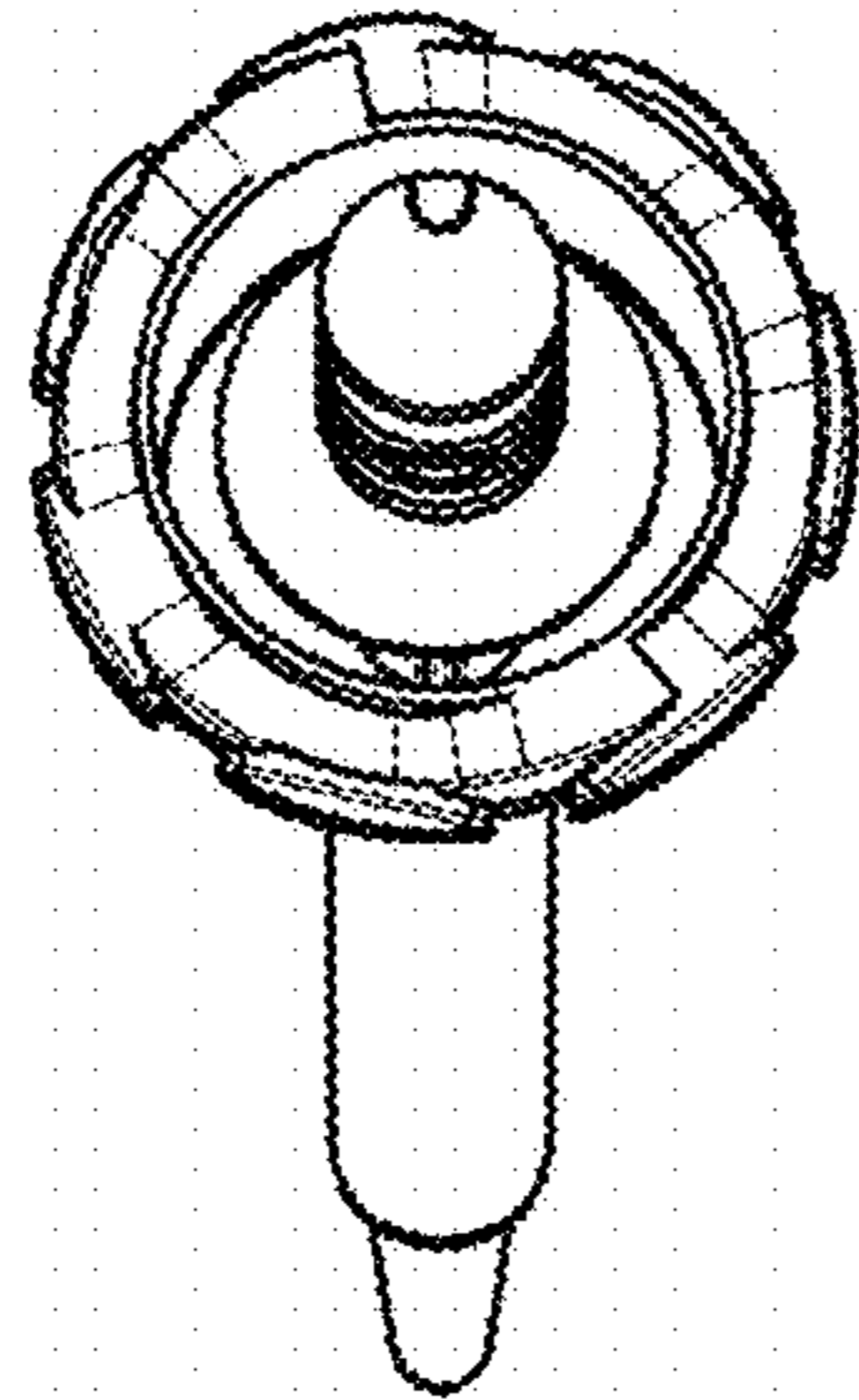


Fig. 11

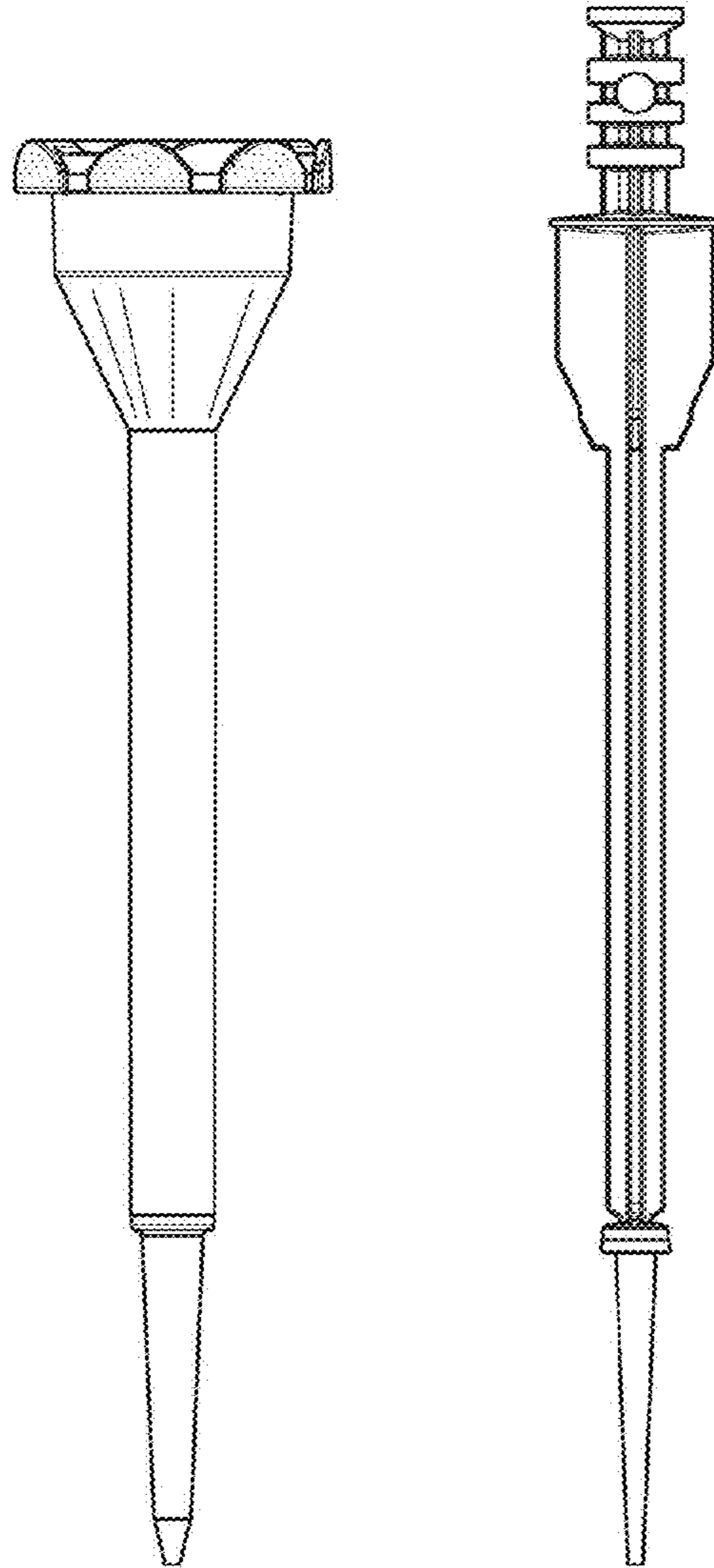


Fig. 12

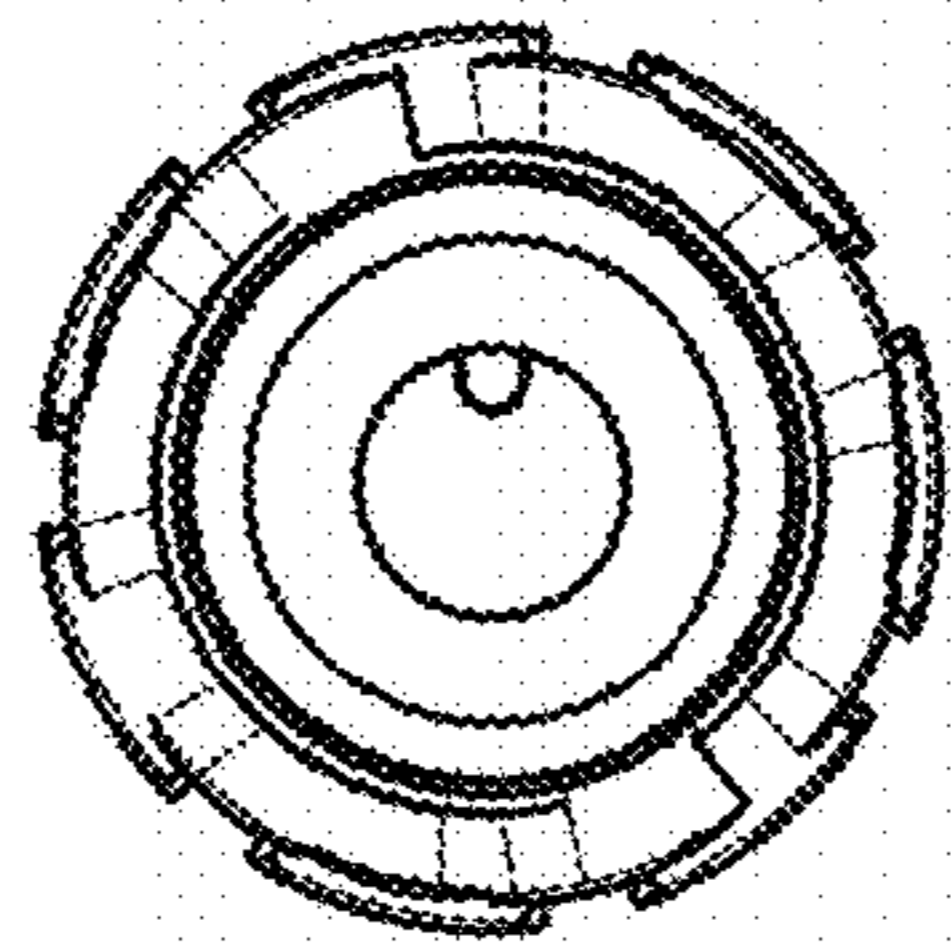


Fig. 13

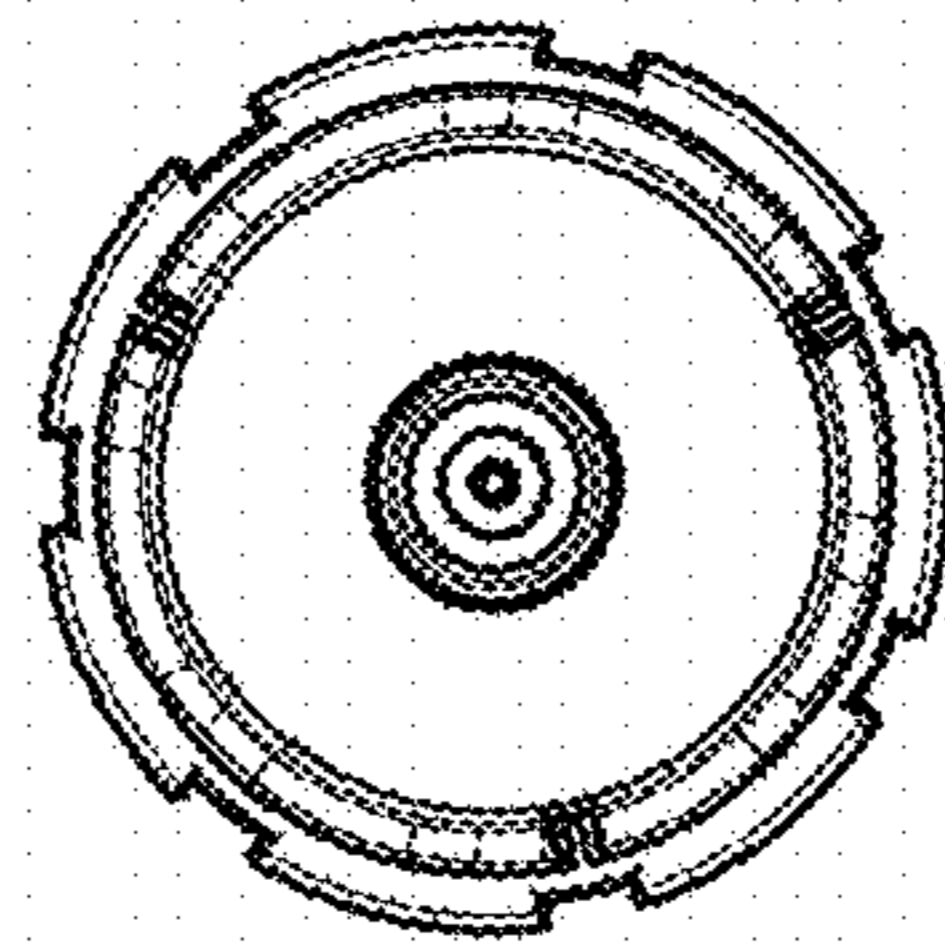


Fig. 14