

US00D733908S

(12) **United States Design Patent**
Eckstein et al.

(10) **Patent No.:** **US D733,908 S**
(45) **Date of Patent:** **** *Jul. 7, 2015**

(54) **MIXING TIP**

(71) Applicant: **3M INNOVATIVE PROPERTIES COMPANY**, St. Paul, MN (US)

(72) Inventors: **Stefan Eckstein**, München (DE);
Andreas Boehm, Reichling (DE); **Marc Peuker**, Schöndorf (DE)

(73) Assignee: **3M Innovative Properties Company**, St. Paul, MN (US)

(*) Notice: This patent is subject to a terminal disclaimer.

(**) Term: **14 Years**

(21) Appl. No.: **29/486,560**

(22) Filed: **Mar. 31, 2014**

(30) **Foreign Application Priority Data**

Oct. 3, 2013 (EP) 1385975

(51) **LOC (10) Cl.** **24-00**

(52) **U.S. Cl.**
USPC **D24/220**

(58) **Field of Classification Search**
USPC D24/220, 164, 221, 176, 180, 170, 187,
D24/64, 232, 216, 231; D7/376; D15/19;
433/90; 128/205.24; 222/145.5, 145.6;
366/181.4, 307, 318
See application file for complete search history.

(56) **References Cited**

U.S. PATENT DOCUMENTS

3,739,947 A * 6/1973 Baumann et al. 222/136
D287,877 S 1/1987 Holewinski
4,941,752 A * 7/1990 Yant et al. 366/307
5,324,273 A 6/1994 Discko, Jr.
5,392,904 A * 2/1995 Frick et al. 206/219
D419,236 S 1/2000 Carlson

D421,121 S 2/2000 Prasad
D472,323 S * 3/2003 Sand D24/220
6,884,071 B2 * 4/2005 Martin 433/90
7,562,792 B2 * 7/2009 Nisbet 222/137
D645,958 S 9/2011 Assmann
D672,873 S * 12/2012 An D24/156
D681,808 S 5/2013 Holaschke
D690,813 S * 10/2013 Bizzell et al. D24/162
D693,940 S * 11/2013 Walter et al. D24/220
D696,787 S * 12/2013 Walter et al. D24/220
D698,918 S 2/2014 Leiner
2010/0240004 A1 * 9/2010 Zalsman 433/90
2011/0056985 A1 * 3/2011 Bublewitz et al. 222/137
2013/0101955 A1 * 4/2013 Broyles et al. 433/90
2013/0260335 A1 * 10/2013 Peuker et al. 433/90

OTHER PUBLICATIONS

Tetric EvoCeram & Tetric EvoFlow®, Ivoclar Vivodent, Oct. 29, 2013, 10 pages.
Tetric EvoCeram® Bulk Fill, Nano-Hybrid Composite with Ivocerin, Ivoclar Vivodent©, 2013, 6 pages.

* cited by examiner

Primary Examiner — Holly Baynham
Assistant Examiner — Rhea Shields

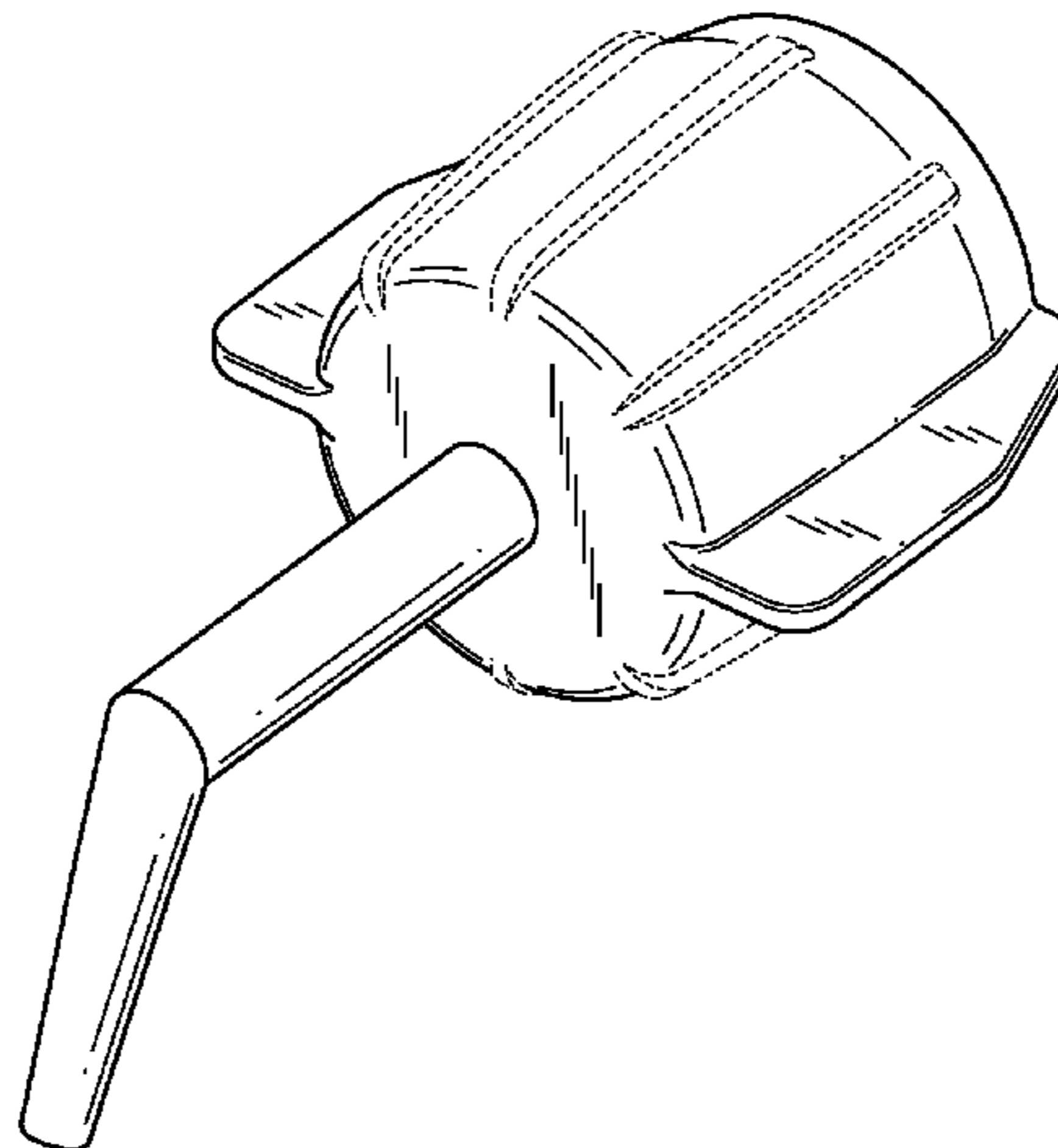
(57) **CLAIM**

The ornamental design for a mixing tip, as shown and described.

DESCRIPTION

FIG. 1 is a perspective view showing the new design for a mixing tip;
FIG. 2 is a right side view thereof;
FIG. 3 is a top view thereof;
FIG. 4 is a bottom view thereof;
FIG. 5 is a front view thereof; and,
FIG. 6 is a back view thereof.
The left side view is a mirror image of the right side view.
In the drawings, the broken lines depict environmental subject matter only and form no part of the claimed designs.

1 Claim, 2 Drawing Sheets



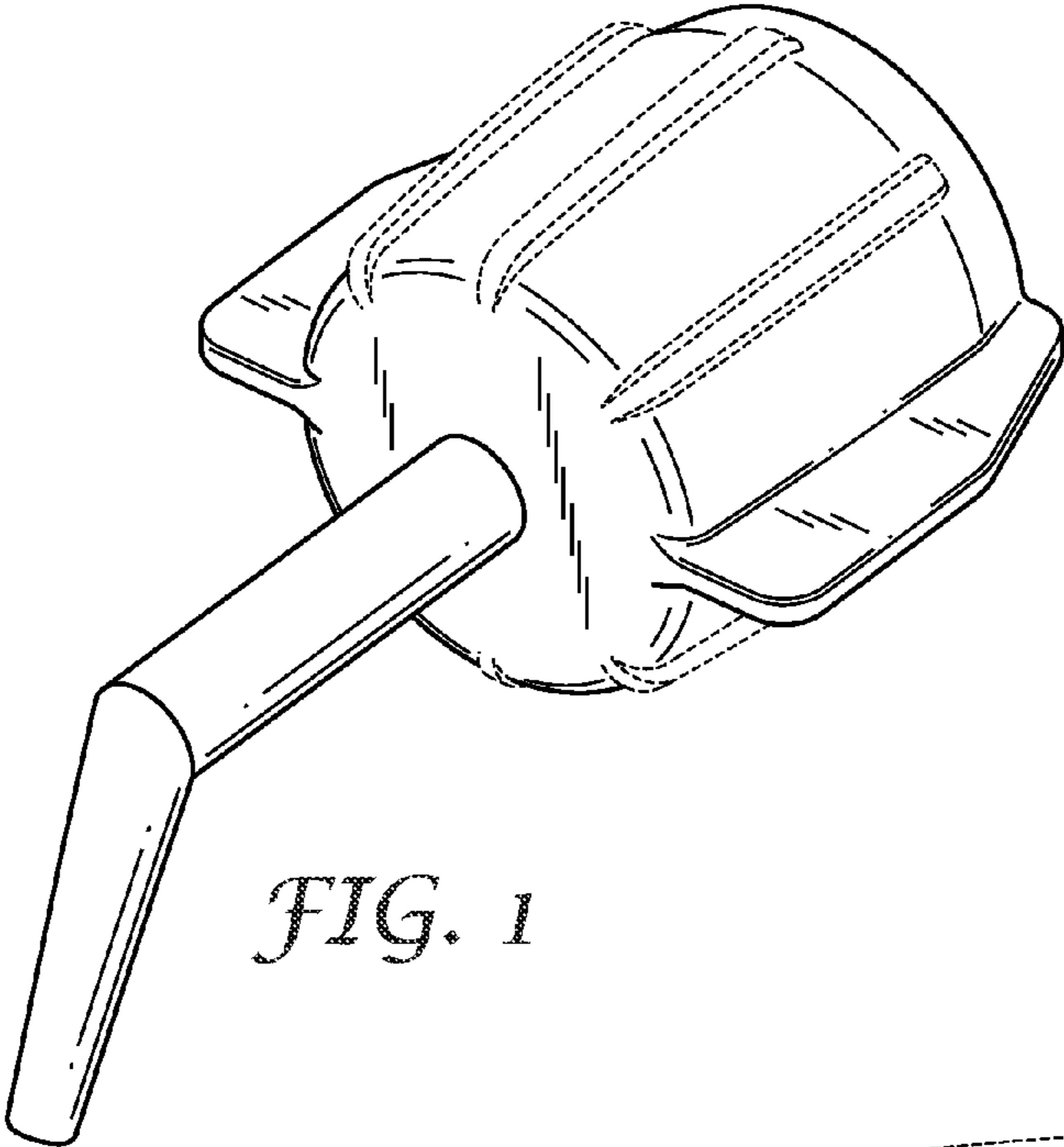


FIG. 1

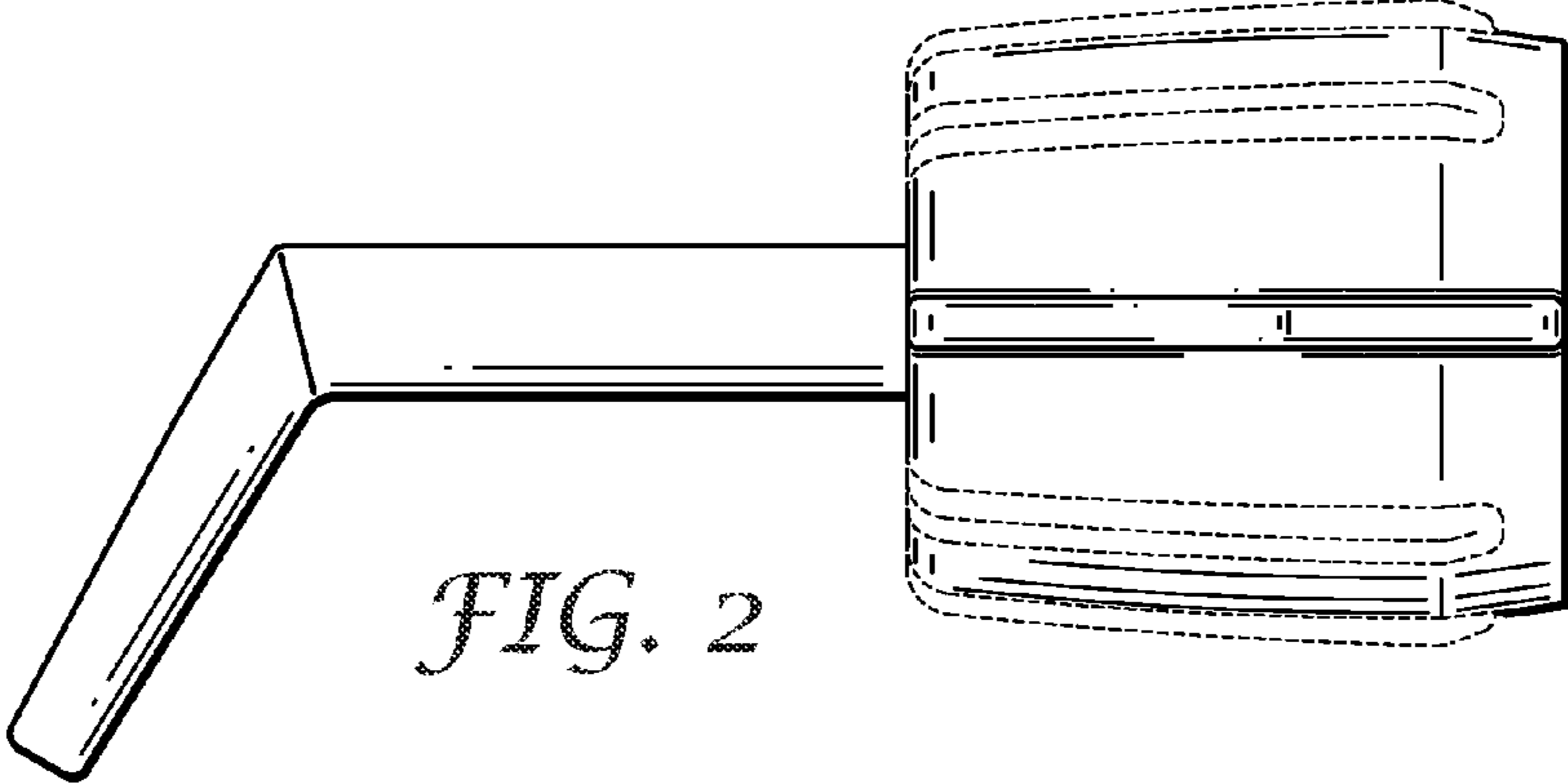


FIG. 2

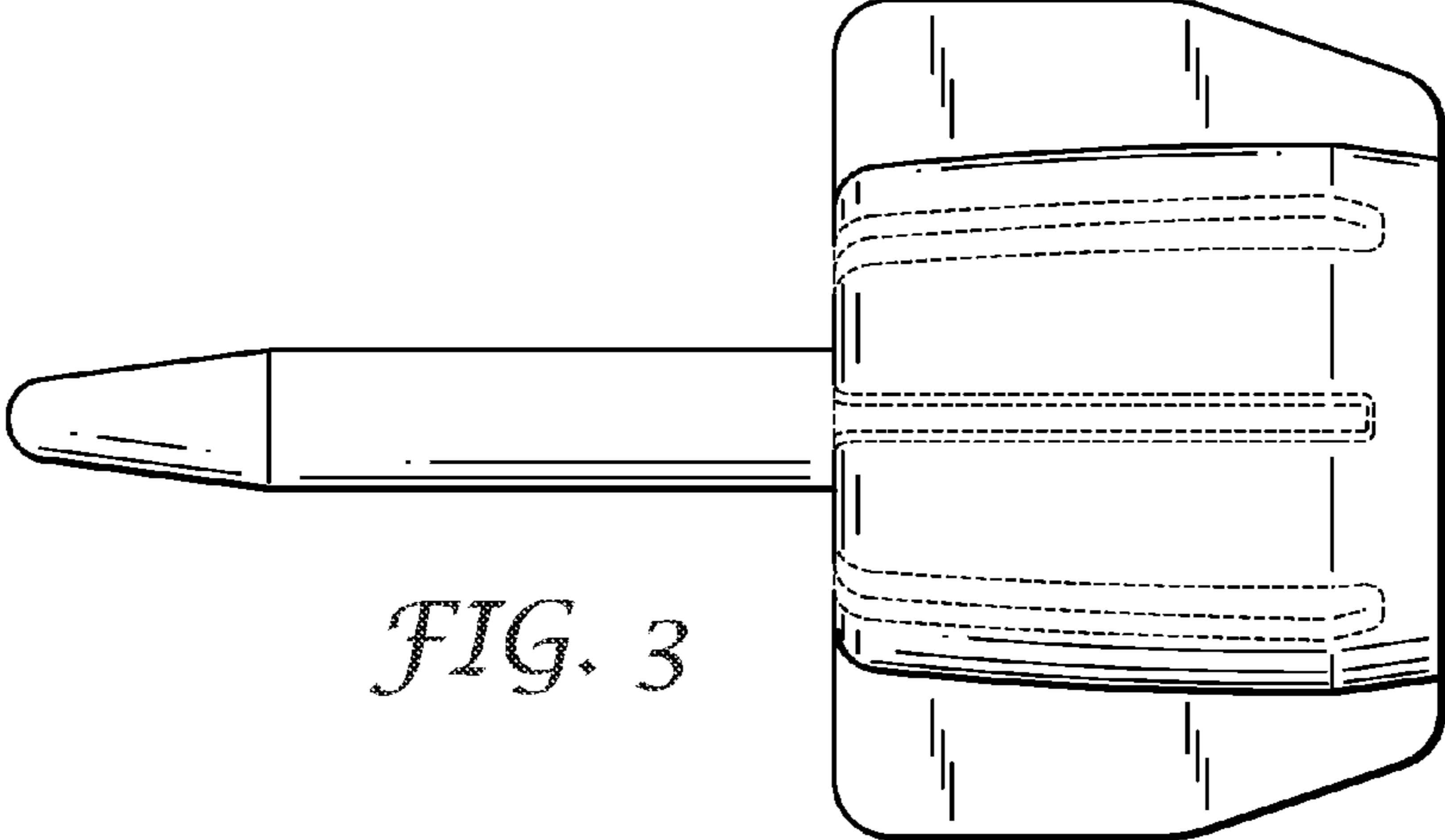


FIG. 3

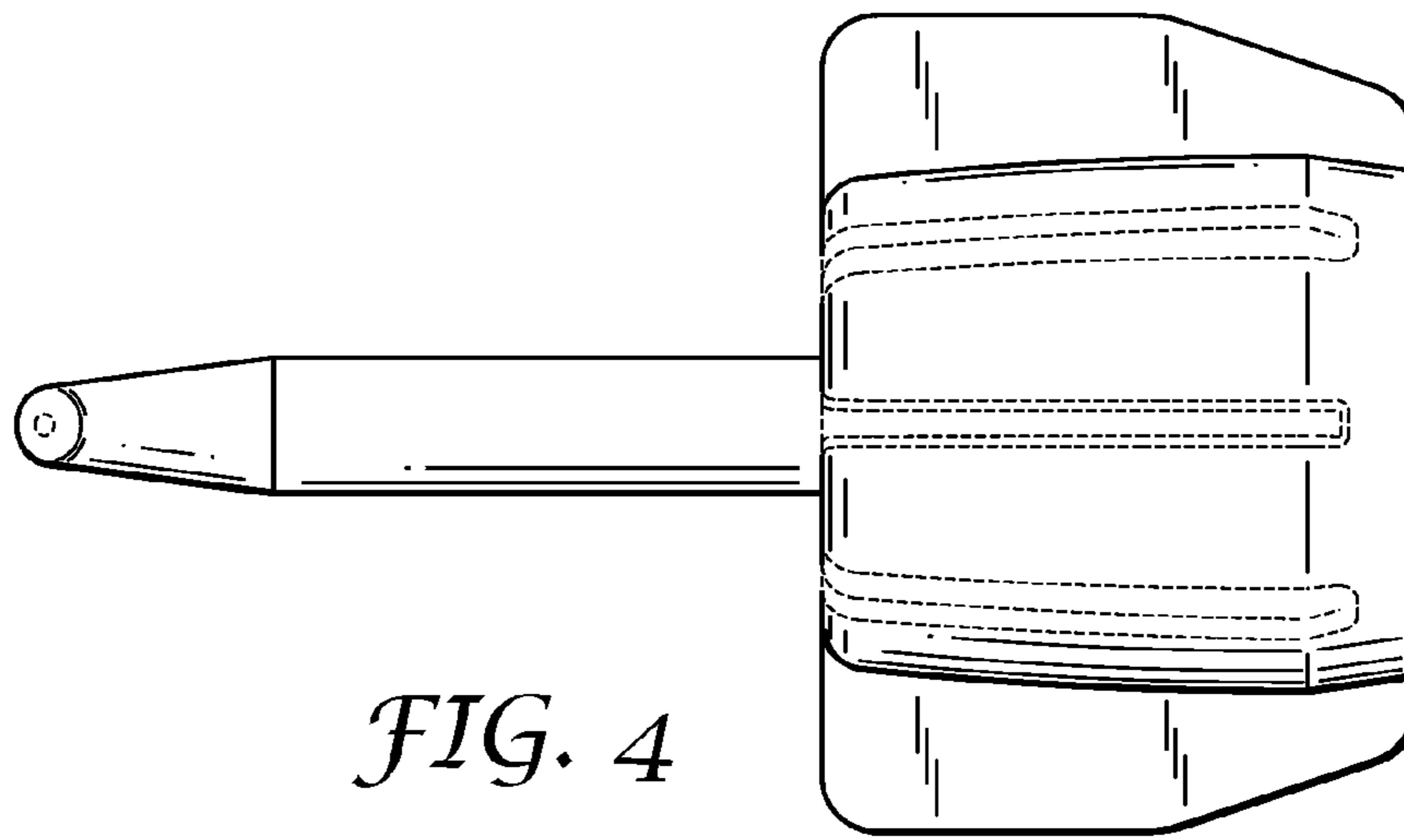


FIG. 4

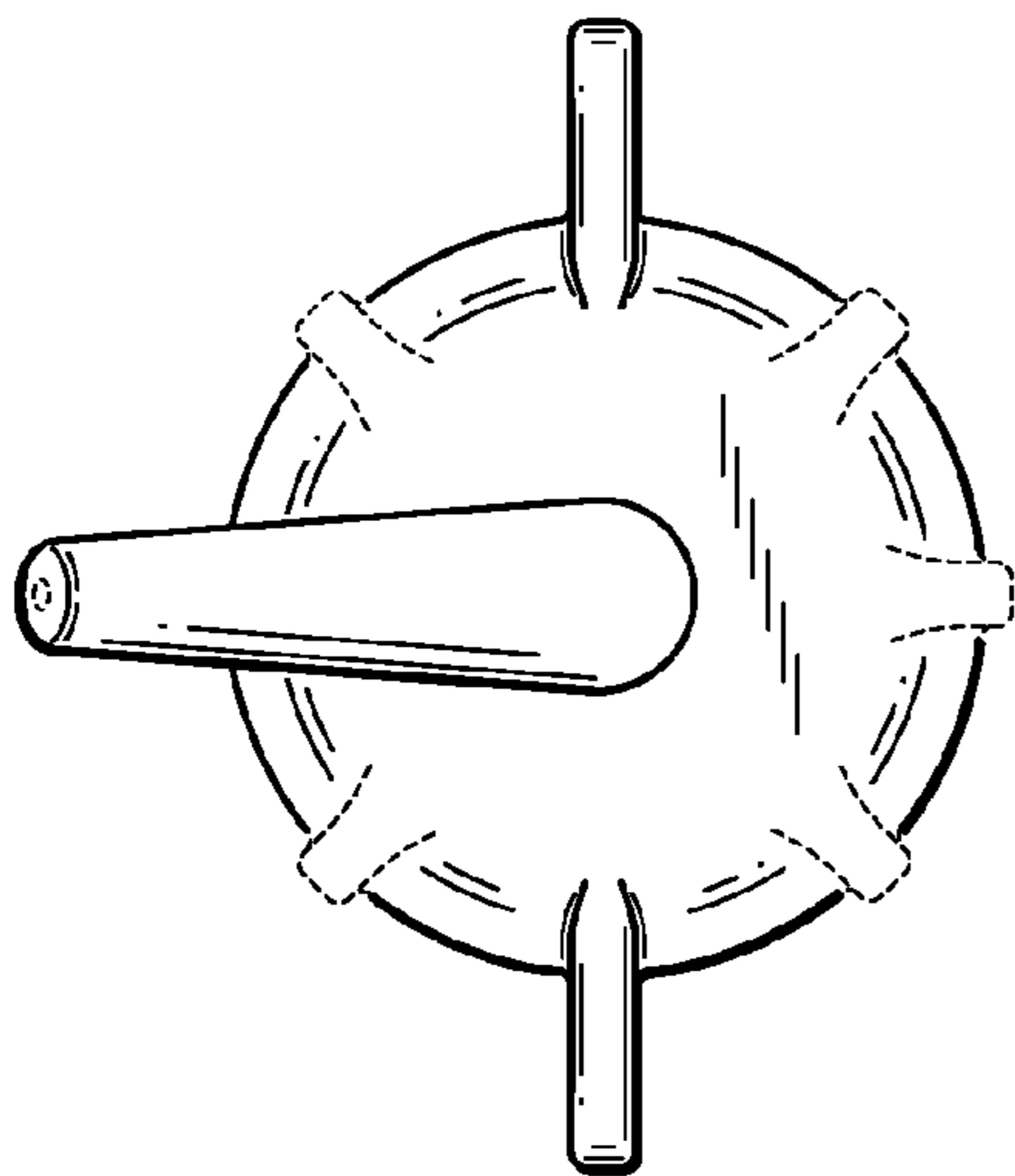


FIG. 5

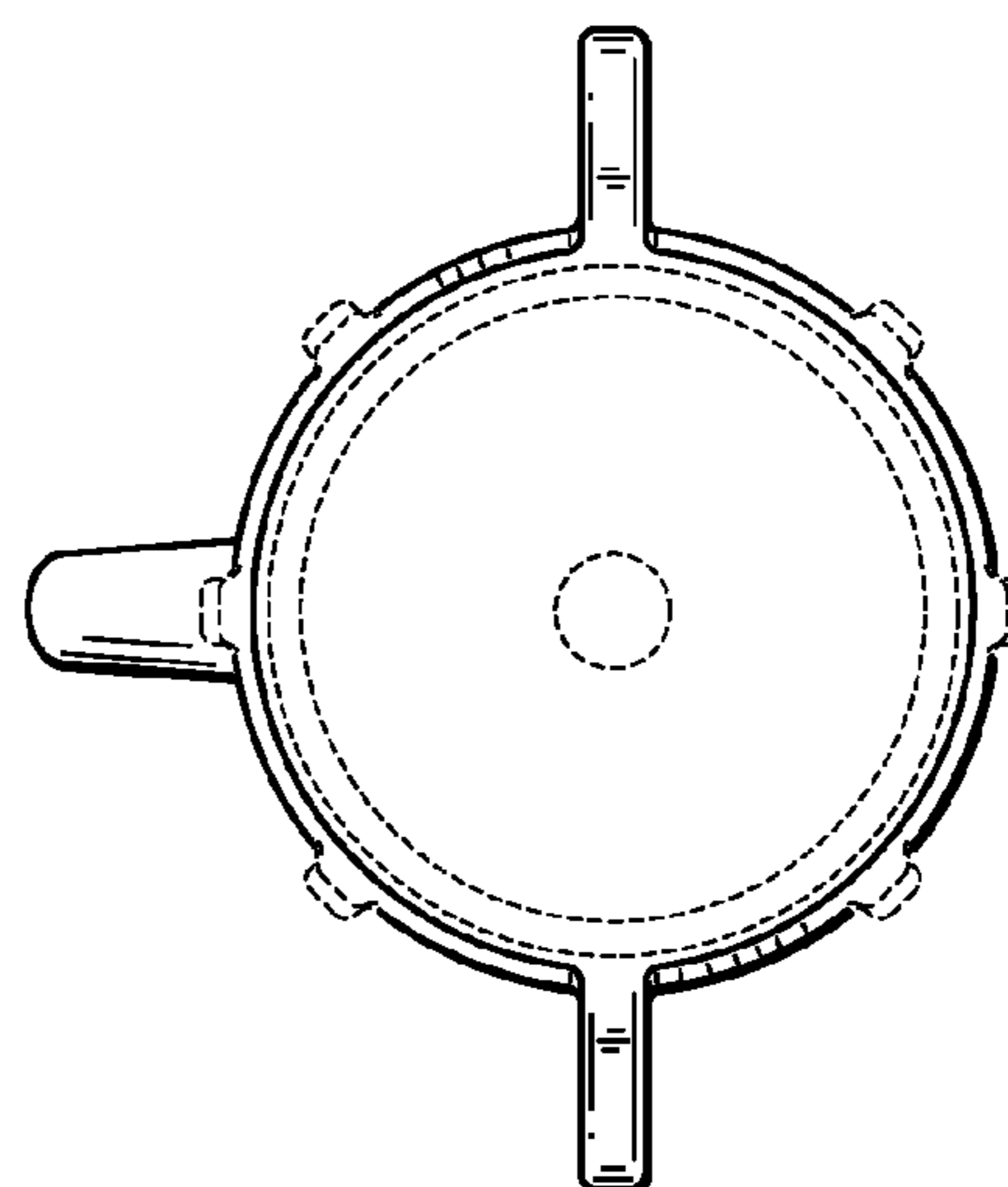


FIG. 6

UNITED STATES PATENT AND TRADEMARK OFFICE
CERTIFICATE OF CORRECTION

PATENT NO. : D733,908 S
APPLICATION NO. : 29/486560
DATED : July 7, 2015
INVENTOR(S) : Stefan Eckstein

Page 1 of 1

It is certified that error appears in the above-identified patent and that said Letters Patent is hereby corrected as shown below:

Title Page

Column 2, First Page, (Other Publications)

Line 1, delete "Vivodent," and insert -- Vivadent, --, therefor.

Column 2, First Page, (Other Publications)

Line 3, delete "Ivocerin," and insert -- Ivocerin, --, therefor.

Column 2, First Page, (Other Publications)

Line 4, delete "Vivodent©," and insert -- Vivadent©, --, therefor.

Signed and Sealed this
Twenty-second Day of March, 2016



Michelle K. Lee
Director of the United States Patent and Trademark Office