



US00D733906S

(12) **United States Design Patent**
Oonuma et al.

(10) **Patent No.:** **US D733,906 S**

(45) **Date of Patent:** **** Jul. 7, 2015**

(54) **SAMPLE TRANSPORTING APPARATUS**

(56) **References Cited**

(71) Applicant: **Hitachi High-Technologies Corporation**, Tokyo (JP)

U.S. PATENT DOCUMENTS

(72) Inventors: **Mitsuru Oonuma**, Tokyo (JP); **Yoko Sato**, Tokyo (JP); **Hiroyuki Noda**, Tokyo (JP); **Shinji Azuma**, Tokyo (JP); **Naoto Tsujimura**, Tokyo (JP)

3,881,990	A *	5/1975	Burton et al.	435/1.2
6,401,484	B2 *	6/2002	Gano, III	62/457.5
D470,594	S *	2/2003	Brassil et al.	D24/216
7,607,630	B2 *	10/2009	Jung et al.	248/440.1
D664,261	S *	7/2012	Kravitz et al.	D24/216
D671,653	S *	11/2012	Kravitz et al.	D24/216
D672,466	S *	12/2012	Kravitz et al.	D24/216
8,474,274	B2 *	7/2013	Schalla et al.	62/89
D705,943	S *	5/2014	Chang et al.	D24/216
2008/0149645	A1 *	6/2008	Shin	220/592.01
2012/0276620	A1 *	11/2012	Kravitz et al.	435/284.1

(73) Assignee: **HITACHI HIGH-TECHNOLOGIES CORPORATION**, Tokyo (JP)

* cited by examiner

(**) Term: **14 Years**

Primary Examiner — Anhdao Doan

(21) Appl. No.: **29/493,664**

(74) *Attorney, Agent, or Firm* — Baker Botts L.L.P.

(22) Filed: **Jun. 12, 2014**

(57) **CLAIM**

We claim the ornamental design for an a sample transporting apparatus, as shown.

(30) **Foreign Application Priority Data**

DESCRIPTION

Dec. 13, 2013 (JP) 2013-029248

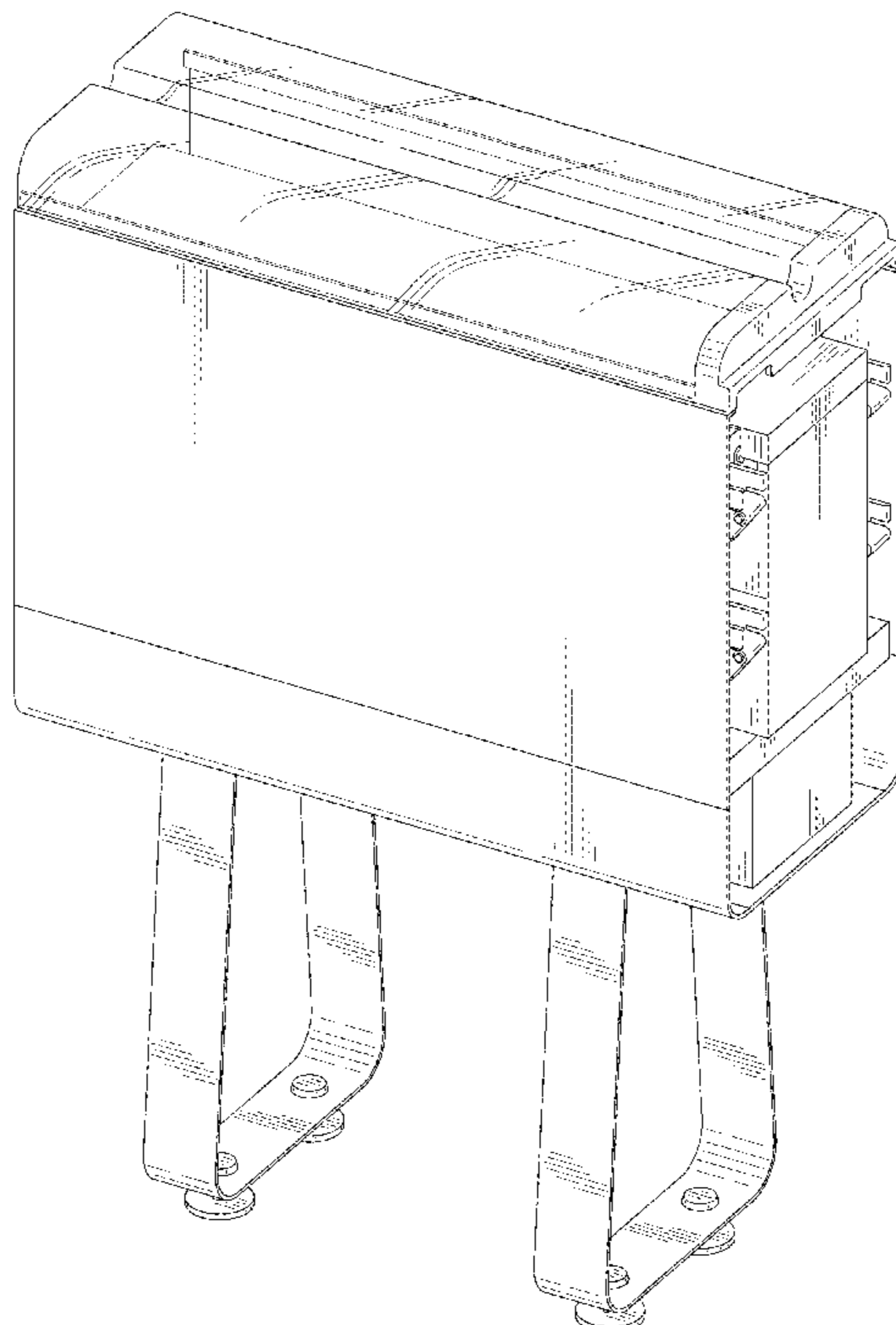
(51) **LOC (10) Cl.** **24-01**

(52) **U.S. Cl.**
USPC **D24/216**

(58) **Field of Classification Search**
USPC D24/216, 231, 232, 107; D34/19, 23;
D7/605; D15/81, 83; 62/78, 457.1,
62/457.2, 457.9; 435/1.1, 1.2, 1.3, 284.1
CPC .. A01N 1/0273; A01N 1/0247; A01N 1/0268
See application file for complete search history.

FIG. 1 is a front, top and right side perspective view of an a sample transporting apparatus showing our new design;
FIG. 2 is a front elevational view thereof;
FIG. 3 is a rear elevational view thereof;
FIG. 4 is a left side elevational view thereof;
FIG. 5 is a right side elevational view thereof;
FIG. 6 is a top plan view thereof;
FIG. 7 is a bottom plan view thereof;
FIG. 8 is a cross sectional view taken along the lines 8-8 of FIG. 2 thereof; and,
FIG. 9 is a cross sectional view taken along the lines 9-9 of FIG. 2 thereof.

1 Claim, 6 Drawing Sheets



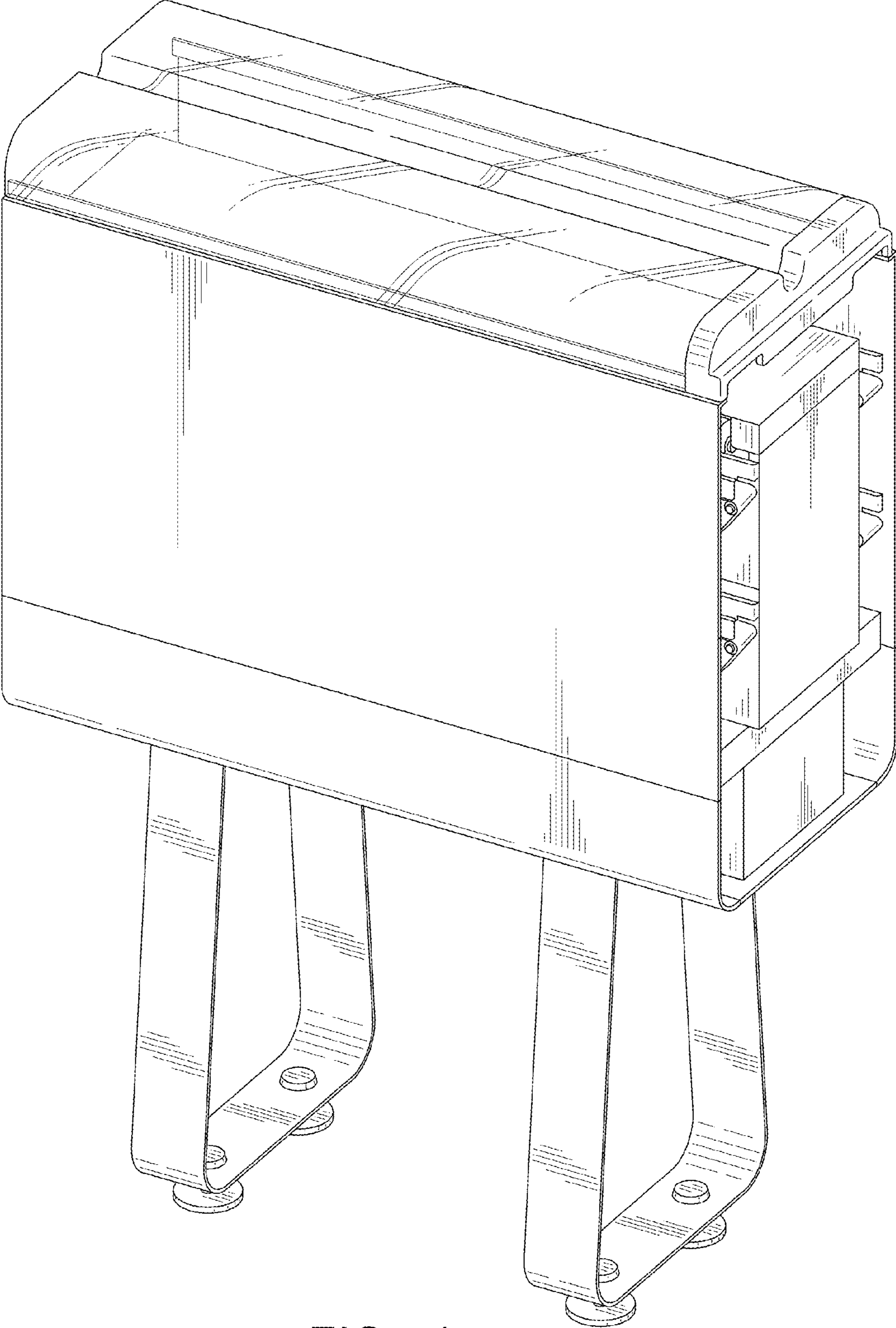


FIG. 1

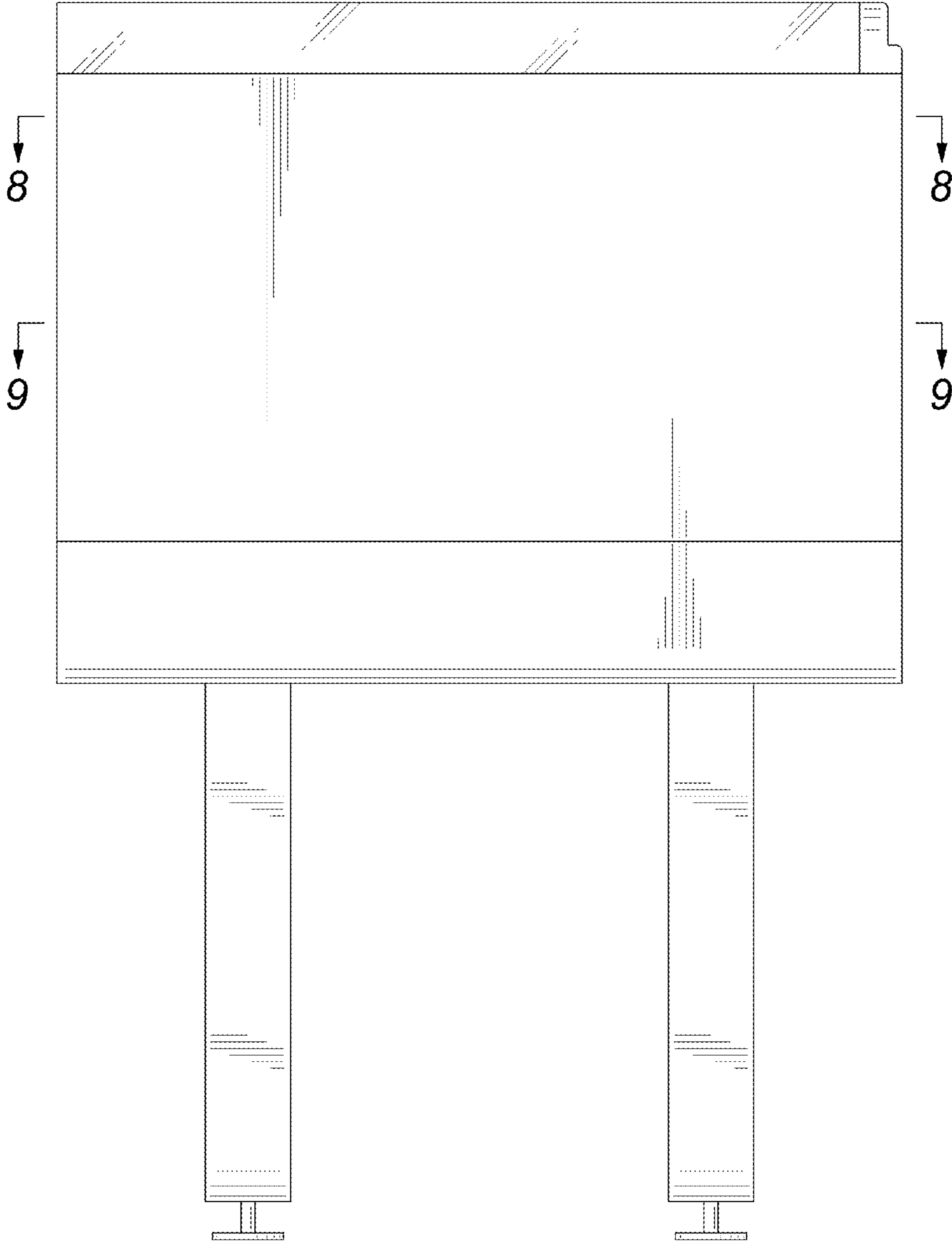


FIG. 2

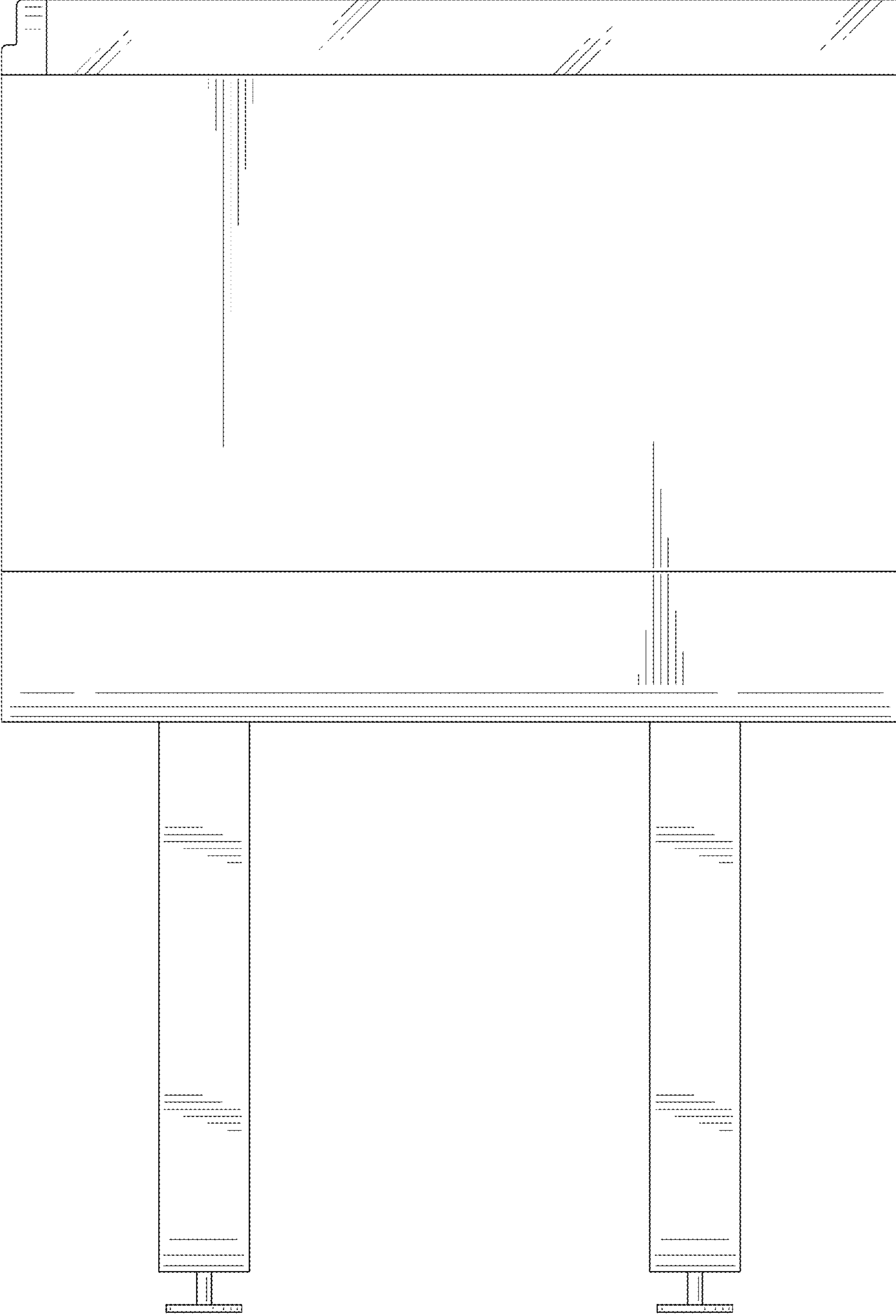


FIG. 3

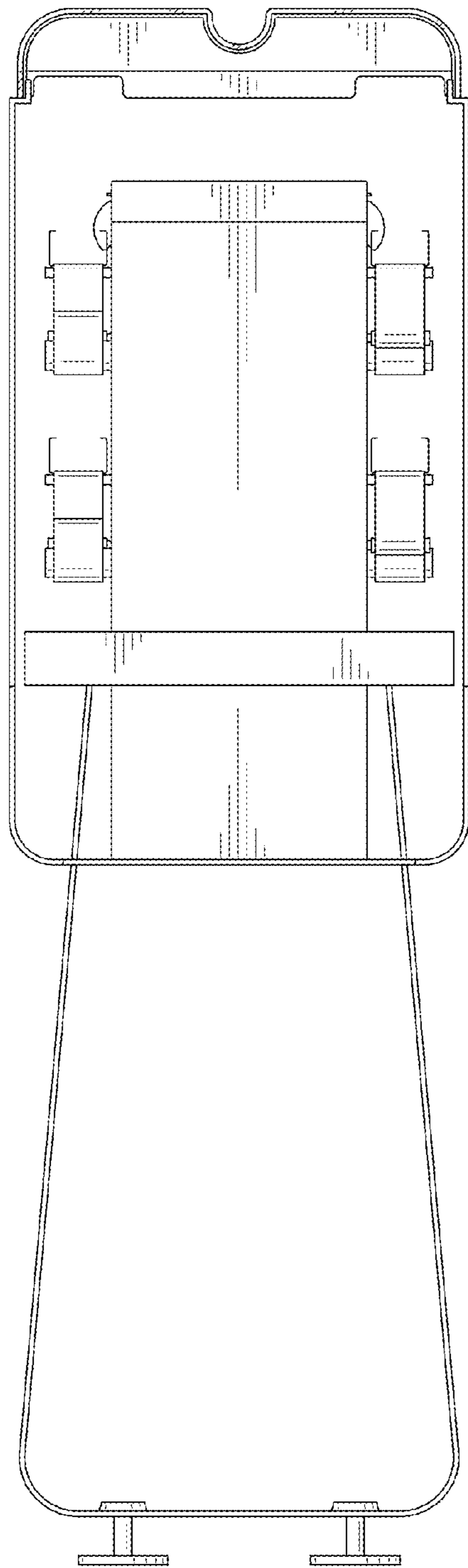


FIG. 4

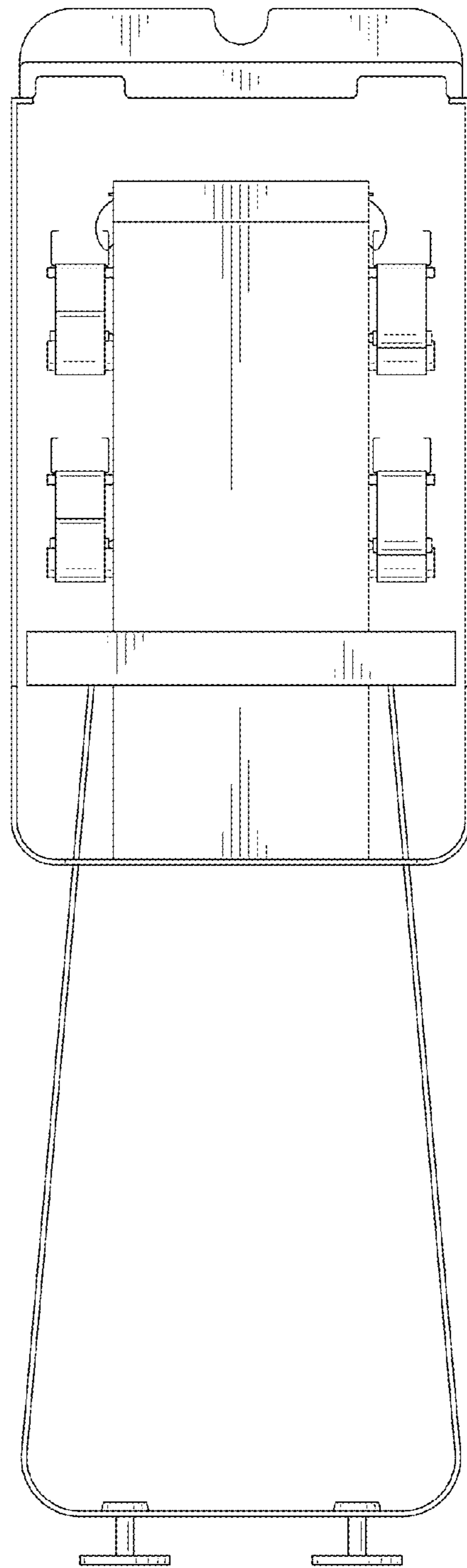


FIG. 5

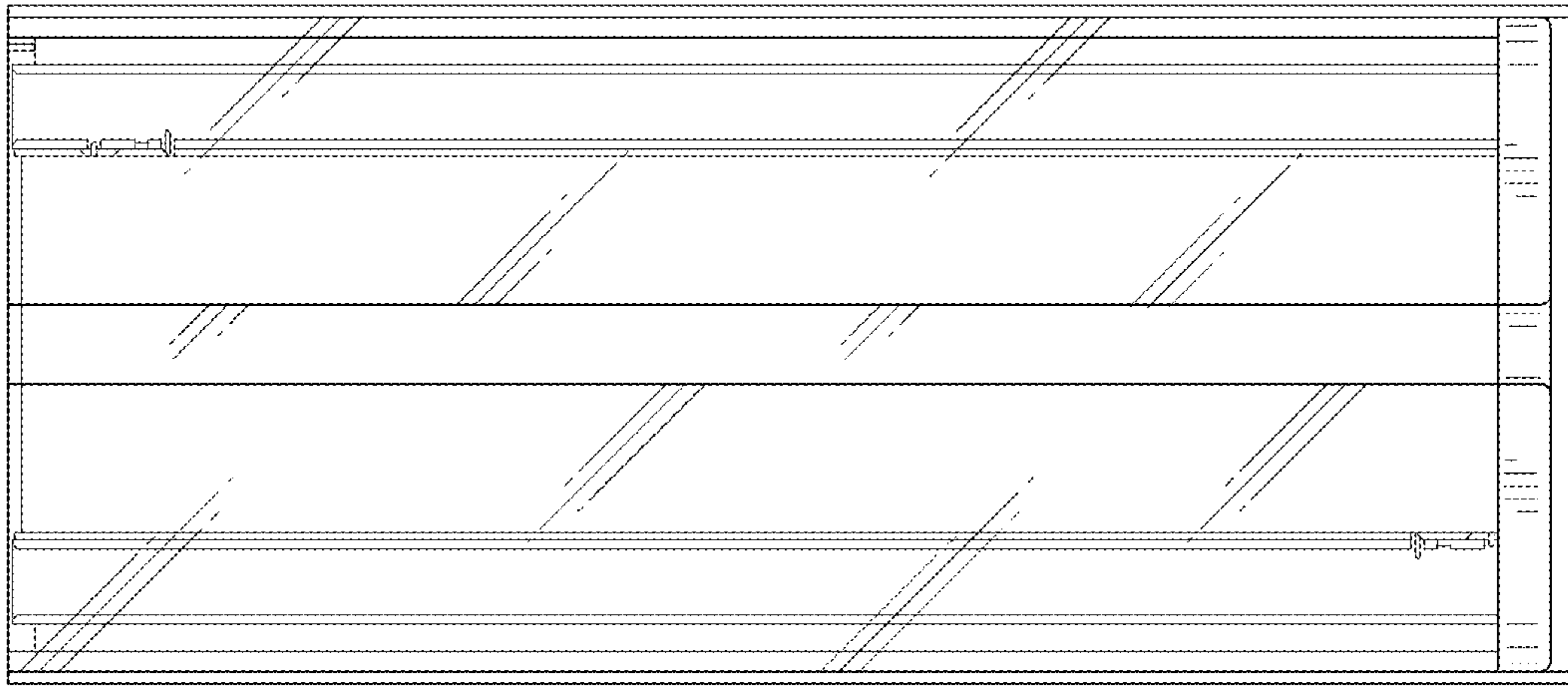


FIG. 6

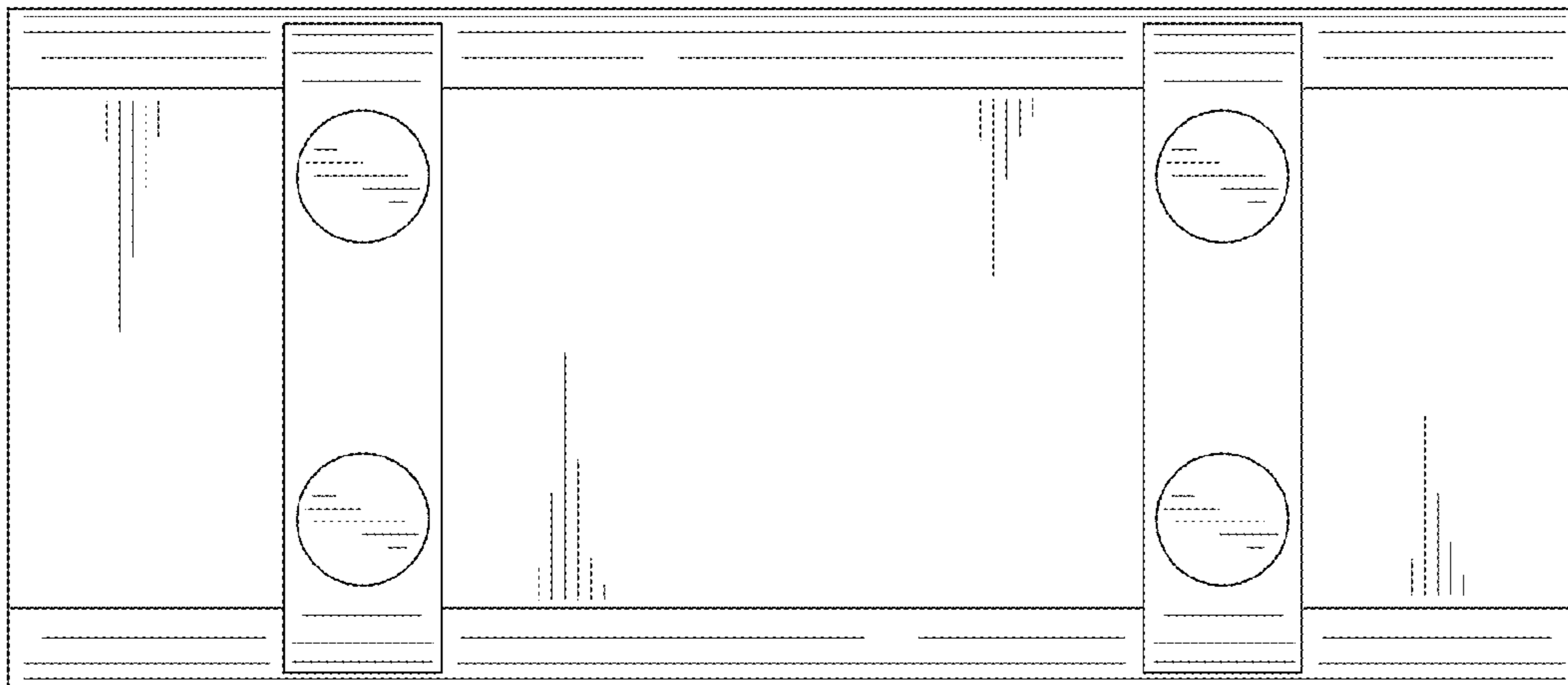


FIG. 7

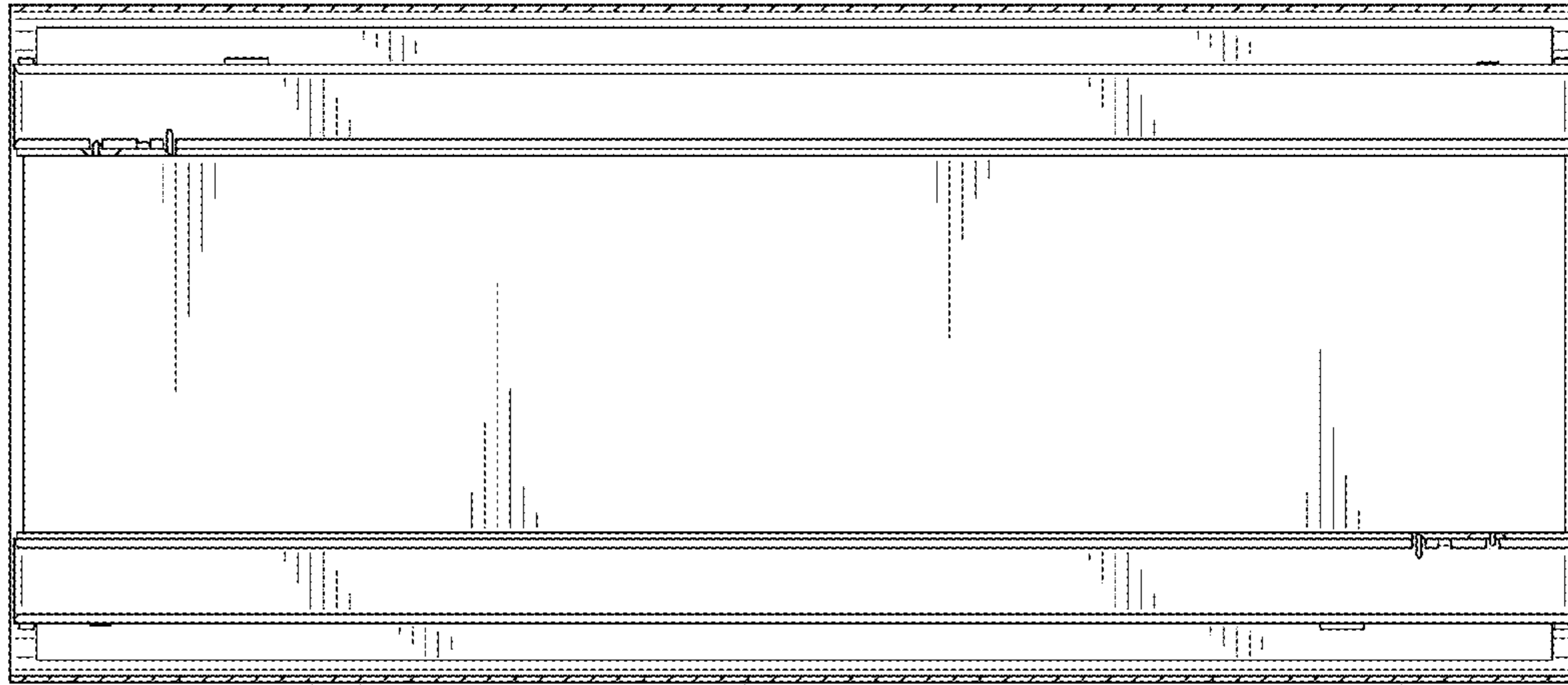


FIG. 8

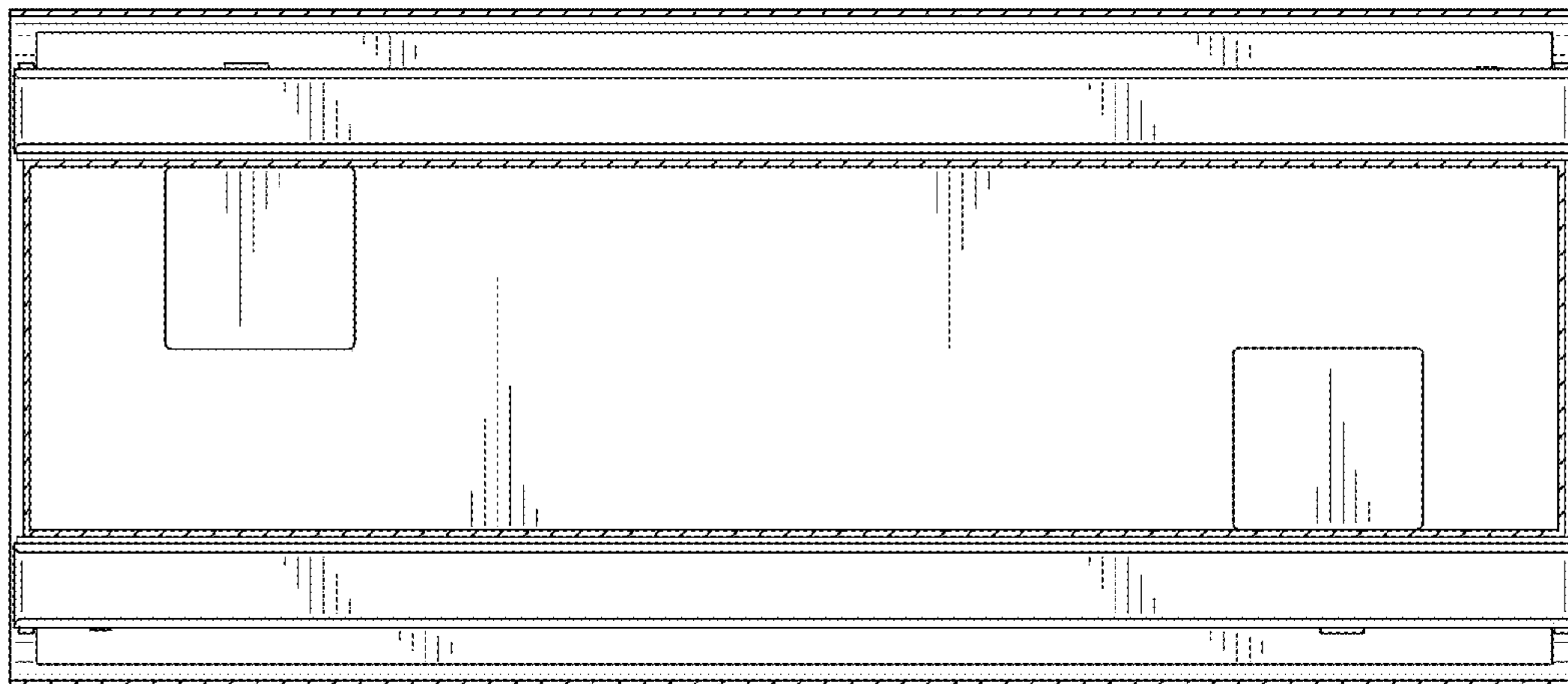


FIG. 9