



US00D733901S

(12) **United States Design Patent**  
**Steimle**

(10) **Patent No.:** **US D733,901 S**  
(45) **Date of Patent:** **\*\* Jul. 7, 2015**

- (54) **SPA AND POOL FACEPLATE**
- (71) Applicant: **CALIFORNIA POOLS**, Irvine, CA (US)
- (72) Inventor: **Vanz Mark Steimle**, Huntington Beach, CA (US)
- (73) Assignee: **California Pools**, West Covina, CA (US)
- (\*\*) Term: **14 Years**
- (21) Appl. No.: **29/434,817**
- (22) Filed: **Oct. 17, 2012**
- (51) **LOC (10) Cl.** ..... **23-02**
- (52) **U.S. Cl.**  
USPC ..... **D24/201**
- (58) **Field of Classification Search**  
USPC ..... D24/201, 204, 205; D23/277, 278, 276,  
D23/280.1-280.3; 4/541.1-541.6, 547,  
4/578.1, 579, 492; 601/154-158; 29/428  
See application file for complete search history.

D574,964 S *	8/2008	Holtsnider et al.	.....	D24/201
D655,820 S *	3/2012	Thomas	.....	D24/204
D675,330 S *	1/2013	Lee	.....	D24/201
D680,224 S *	4/2013	Wang	.....	D24/204
D690,429 S *	9/2013	Harder	.....	D24/204
D693,473 S *	11/2013	Steimle et al.	.....	D24/201
D698,032 S *	1/2014	Steimle	.....	D24/201
D700,972 S *	3/2014	Sears et al.	.....	D24/201
D703,338 S *	4/2014	Walsh et al.	.....	D24/201
2012/0131741 A1	5/2012	Steimle		

\* cited by examiner

*Primary Examiner* — David Muller

*Assistant Examiner* — Nathan Johnston

(74) *Attorney, Agent, or Firm* — Knobbe Martens Olson & Bear LLP

(57) **CLAIM**

The ornamental design for a spa and pool faceplate, as shown and described.

**DESCRIPTION**

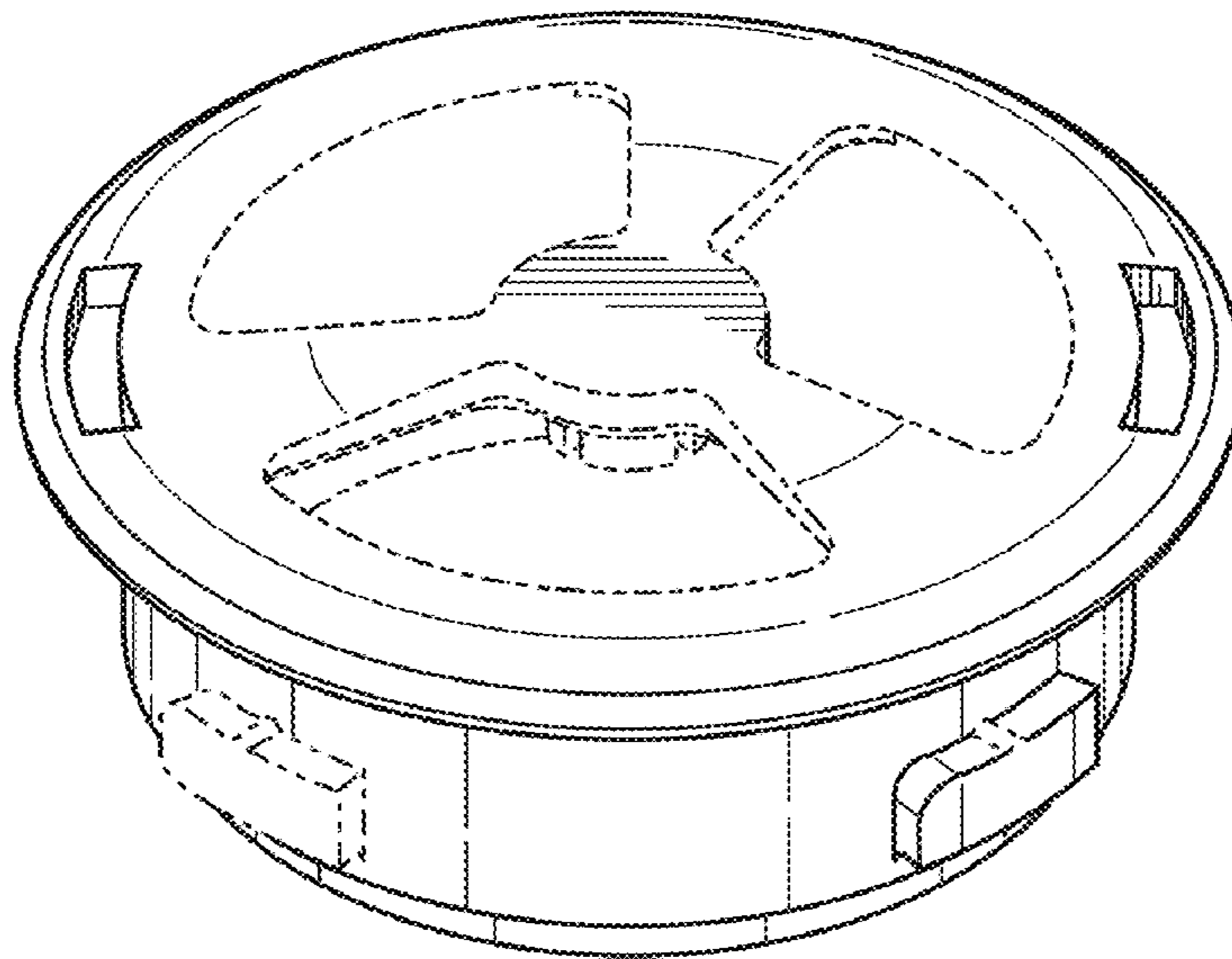
FIG. 1 is a top view of a spa and pool faceplate showing my new design;  
 FIG. 2 is a top perspective view thereof; and,  
 FIG. 3 is a side view of one side thereof.  
 The ornamental design, which is claimed, is shown in solid lines in the drawings.  
 The features shown in broken lines depict environmental subject matter only and form no part of the claimed design.

**1 Claim, 2 Drawing Sheets**

(56) **References Cited**

U.S. PATENT DOCUMENTS

4,303,201 A *	12/1981	Elkins et al.	.....	239/381
D367,710 S *	3/1996	Cumiskey	.....	D24/205
D531,730 S *	11/2006	Loyd	.....	D24/201
D574,501 S *	8/2008	Holtsnider et al.	.....	D24/201



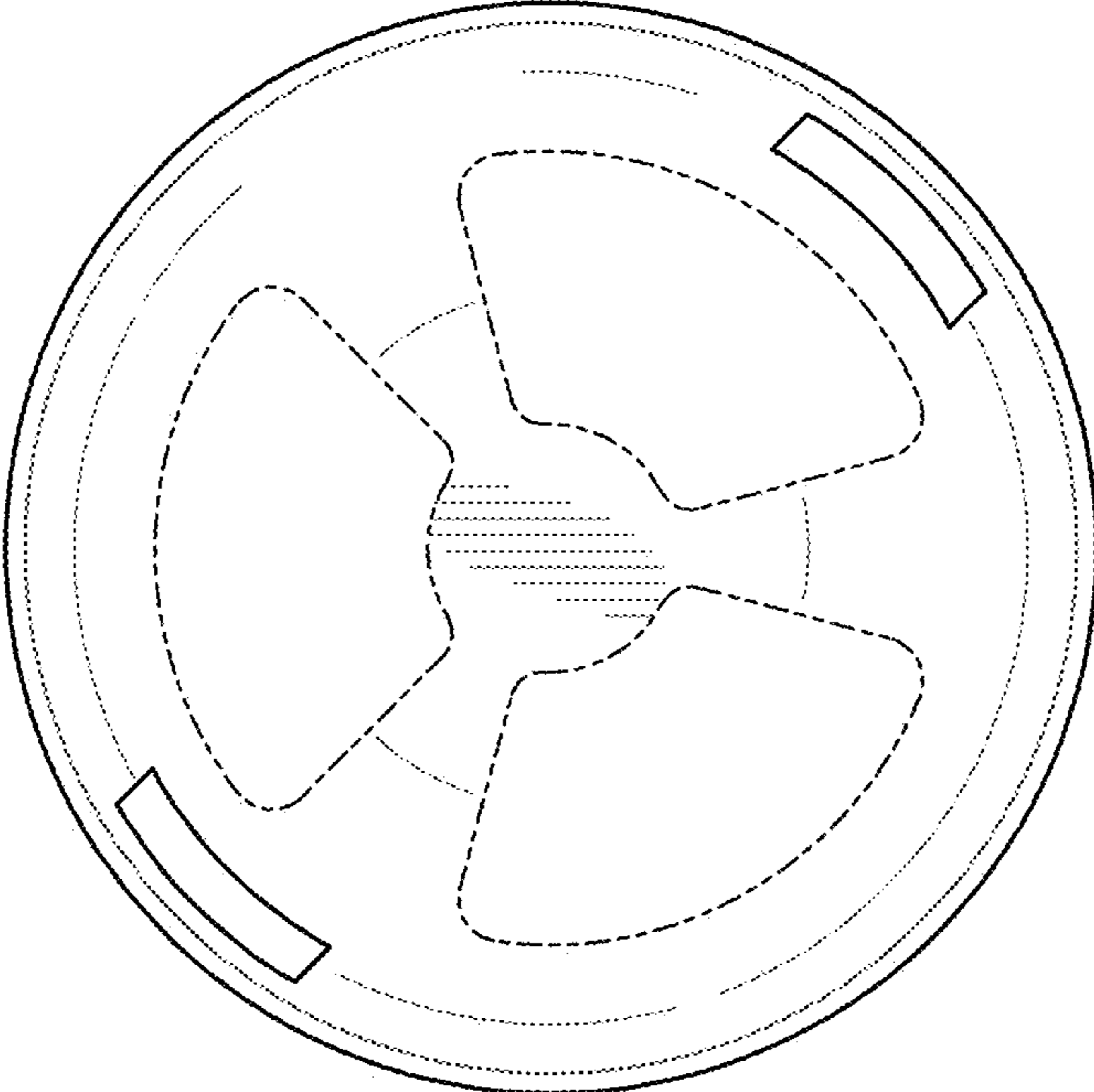


FIG. 1

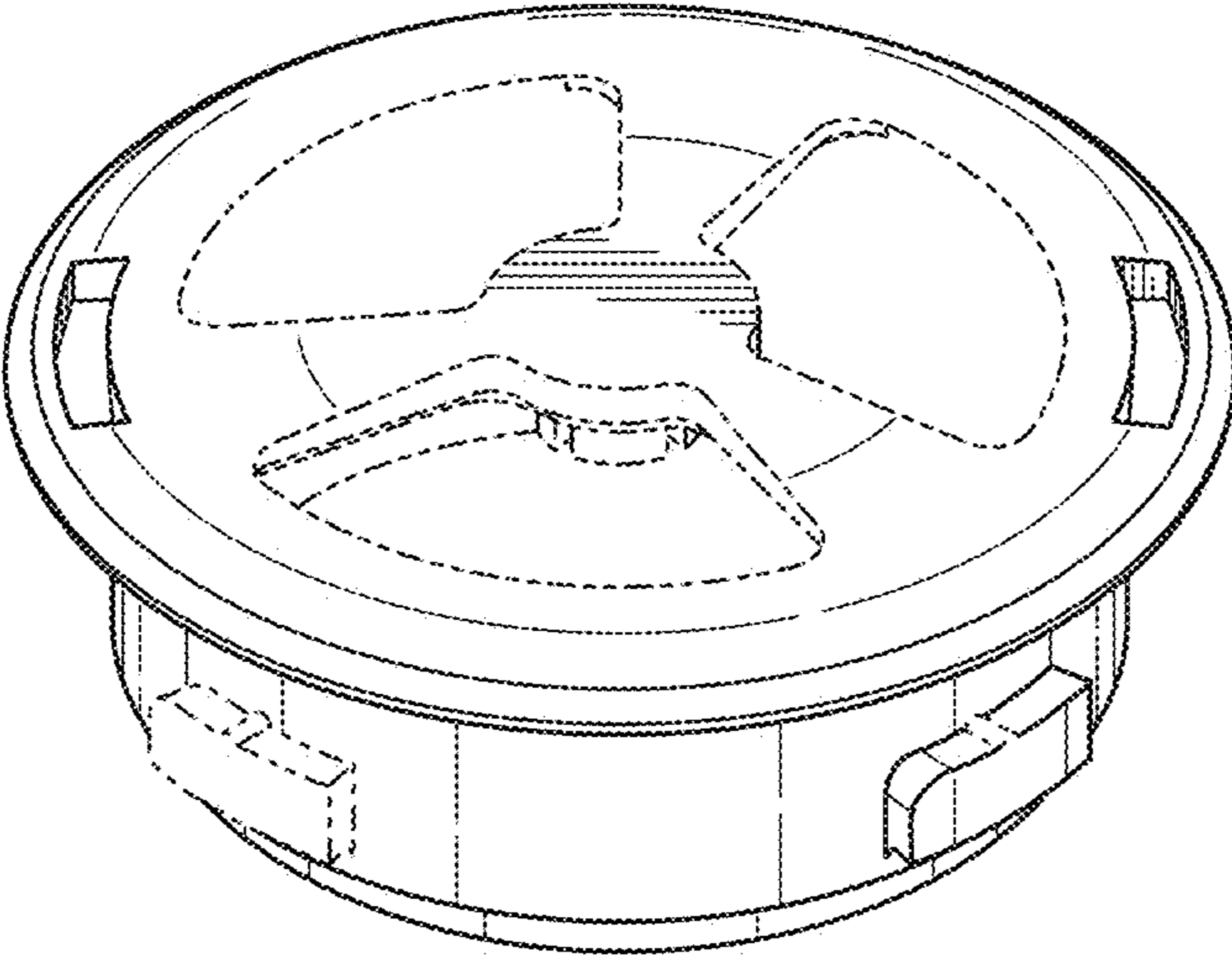


FIG. 2

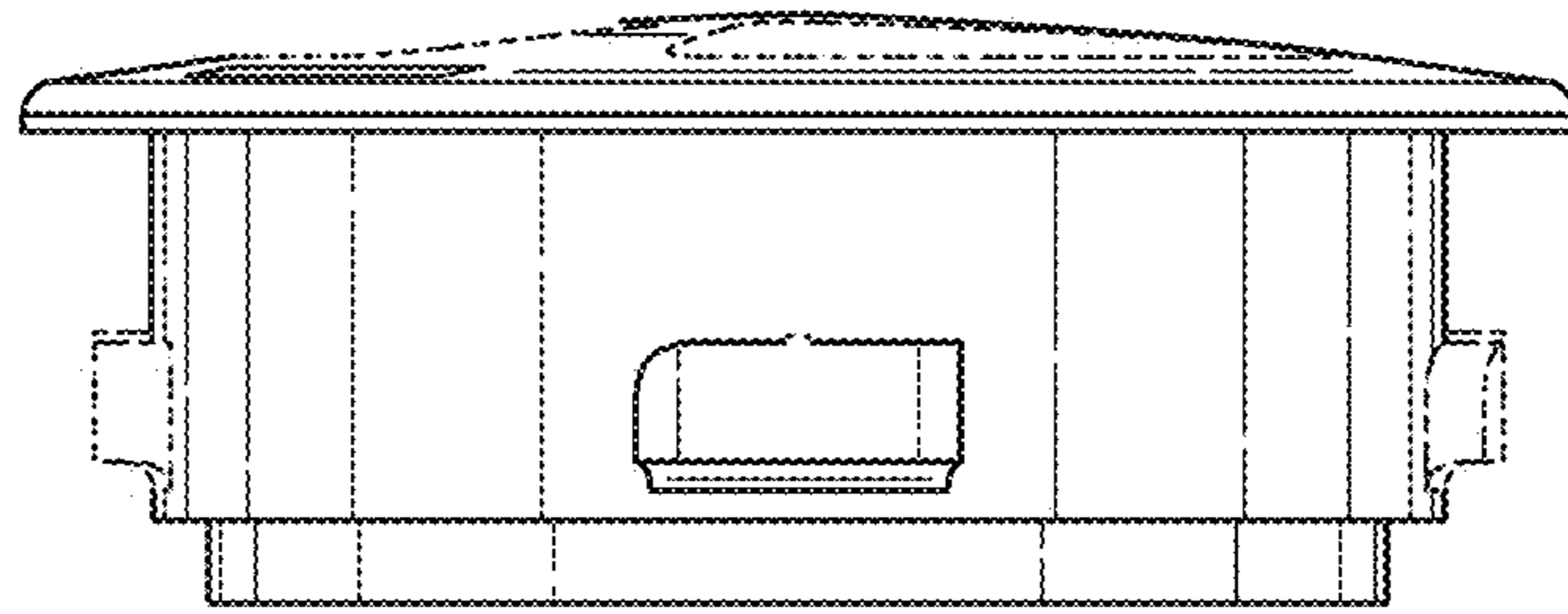


FIG. 3