



US00D733900S

(12) **United States Design Patent**  
**Hagege**

(10) **Patent No.:** **US D733,900 S**  
(45) **Date of Patent:** **\*\* Jul. 7, 2015**

(54) **PERINEAL REHABILITATION  
CONTROLLER**

(71) Applicant: **Fortava Holdings Ltd.**, Tortola (VG)  
(72) Inventor: **Edward Hagege**, Herzelya Pituach (IL)  
(73) Assignee: **Perinealis Ltd.**, Nicosia (CY)  
(\*\*) Term: **14 Years**

(21) Appl. No.: **29/447,818**  
(22) Filed: **Mar. 7, 2013**  
(51) **LOC (10) Cl.** ..... **24-01**  
(52) **U.S. Cl.**  
USPC ..... **D24/200**  
(58) **Field of Classification Search**  
USPC ..... D24/133, 188, 200, 206–215; D10/57;  
606/9, 33; 607/88–94; D13/108;  
D14/341, 346, 400–401  
CPC ..... A61H 33/12; A61H 33/06; A61H 33/063;  
A61H 2201/10; A61H 2201/00; A61H  
2201/005; A61H 2205/12; A61M 11/041;  
A61M 2011/065; A61M 2209/084; A61N  
5/0616; A61N 5/062; A61N 5/0613  
See application file for complete search history.

|           |      |         |                      |            |
|-----------|------|---------|----------------------|------------|
| 7,258,449 | B2 * | 8/2007  | Chong et al. ....    | 353/85     |
| D550,364  | S *  | 9/2007  | Glover et al. ....   | D24/186    |
| D558,755  | S *  | 1/2008  | Tanaka .....         | D14/341    |
| D586,466  | S *  | 2/2009  | Smith et al. ....    | D24/186    |
| D595,256  | S *  | 6/2009  | Mitchell et al. .... | D14/138 AD |
| D597,216  | S *  | 7/2009  | McGuigan et al. .... | D24/216    |
| D603,968  | S *  | 11/2009 | Brefka .....         | D24/186    |
| D603,971  | S *  | 11/2009 | Gonzales et al. .... | D24/200    |
| D611,853  | S *  | 3/2010  | Salter et al. ....   | D10/81     |
| D615,084  | S *  | 5/2010  | Burton et al. ....   | D14/341    |
| D621,515  | S *  | 8/2010  | Chua et al. ....     | D24/186    |
| D629,528  | S *  | 12/2010 | Adkisson .....       | D24/215    |
| D641,351  | S *  | 7/2011  | Arseneau et al. .... | D14/341    |
| D647,621  | S *  | 10/2011 | Lee et al. ....      | D24/186    |
| D686,188  | S *  | 7/2013  | Jeong et al. ....    | D14/203.7  |
| D696,223  | S *  | 12/2013 | Will et al. ....     | D14/155    |
| 8,634,920 | B2 * | 1/2014  | Hagege .....         | 607/41     |
| D700,000  | S *  | 2/2014  | Avery .....          | D14/341    |
| 8,702,624 | B2 * | 4/2014  | Alden .....          | 600/583    |
| D707,758  | S *  | 6/2014  | Norman et al. ....   | D21/566    |

\* cited by examiner

*Primary Examiner* — Karen E Kearney  
*Assistant Examiner* — John Reickel  
(74) *Attorney, Agent, or Firm* — Roach Brown McCarthy &  
Gruber, P.C.; Kevin D. McCarthy

(57) **CLAIM**  
The ornamental design for a perineal rehabilitation controller,  
as shown and described.

**DESCRIPTION**

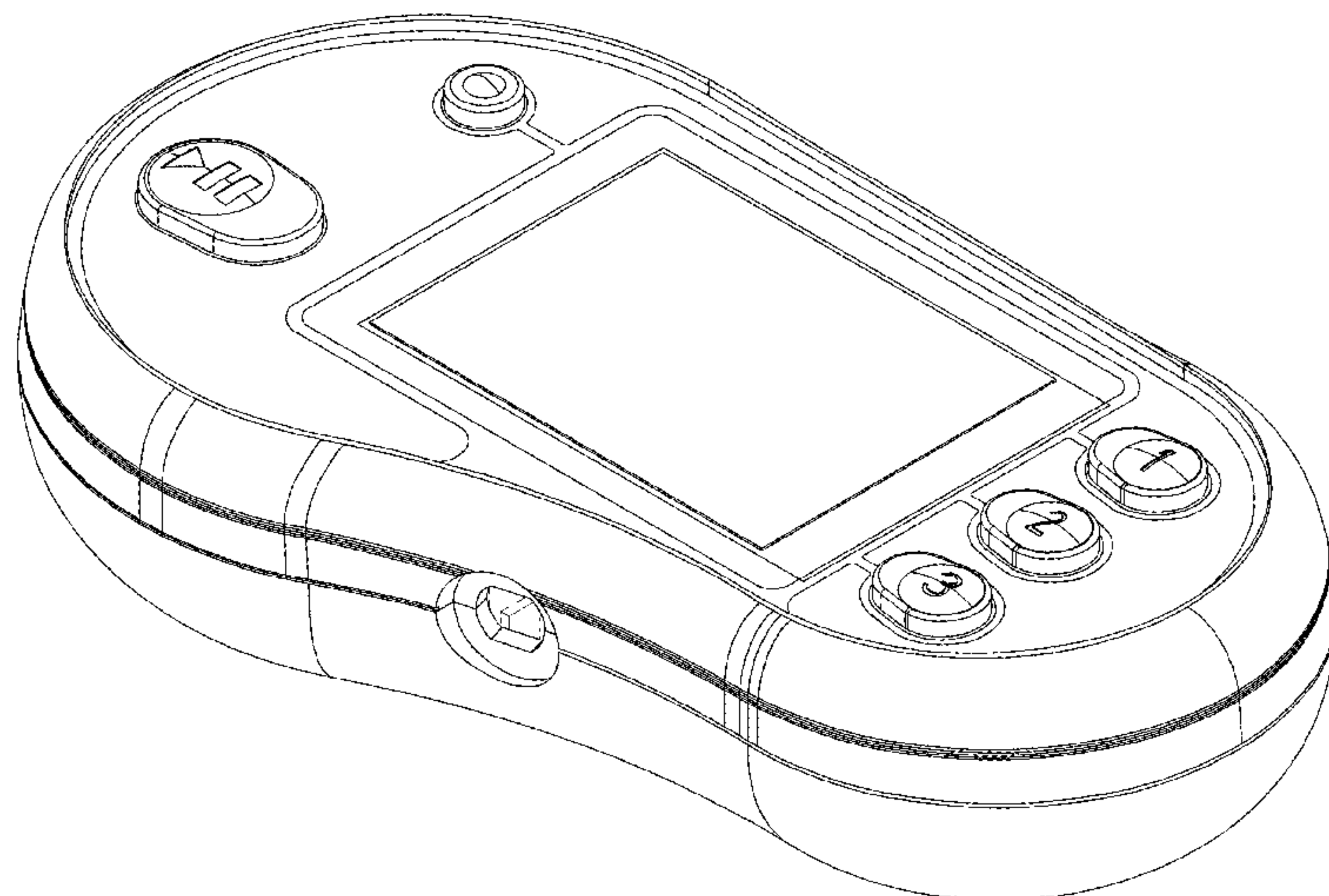
FIG. 1 is a perspective view of a perineal rehabilitation controller;  
FIG. 2 is a front side view thereof;  
FIG. 3 is a right side view thereof;  
FIG. 4 is a back side view thereof;  
FIG. 5 is a top view thereof;  
FIG. 6 is a left side view thereof; and,  
FIG. 7 is a bottom view thereof.  
The broken lines shown in FIGS. 1, 2, 4 and 7 represent  
portions of the article that are not included in the claimed  
design.

**1 Claim, 7 Drawing Sheets**

(56) **References Cited**

**U.S. PATENT DOCUMENTS**

|           |      |         |                        |         |
|-----------|------|---------|------------------------|---------|
| D323,893  | S *  | 2/1992  | Arioka .....           | D24/169 |
| D328,474  | S *  | 8/1992  | Chen .....             | D21/331 |
| 5,432,510 | A *  | 7/1995  | Matthews .....         | 341/20  |
| D371,198  | S *  | 6/1996  | Savage et al. ....     | D24/169 |
| D450,388  | S *  | 11/2001 | Nakanishi et al. ....  | D24/200 |
| 6,468,199 | B1 * | 10/2002 | Satou et al. ....      | 600/9   |
| D473,310  | S *  | 4/2003  | Schlagheck et al. .... | D24/169 |
| D477,880  | S *  | 7/2003  | Moretto .....          | D24/200 |
| D502,945  | S *  | 3/2005  | Huang et al. ....      | D14/341 |
| D522,656  | S *  | 6/2006  | Orr et al. ....        | D24/169 |
| D535,031  | S *  | 1/2007  | Barrett et al. ....    | D24/186 |
| D545,973  | S *  | 7/2007  | Powell et al. ....     | D24/209 |
| D549,350  | S *  | 8/2007  | Wu .....               | D24/215 |



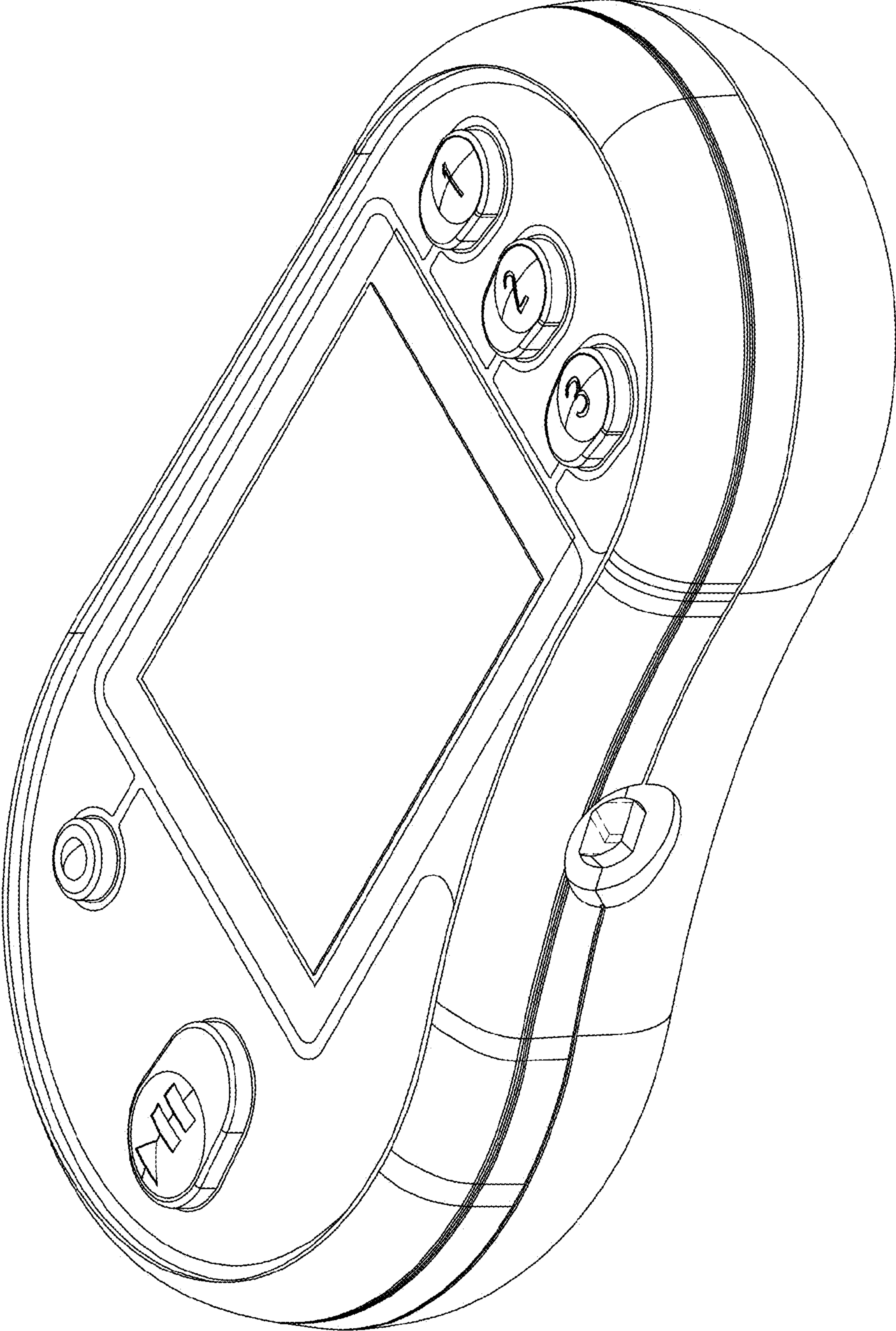


Figure 1

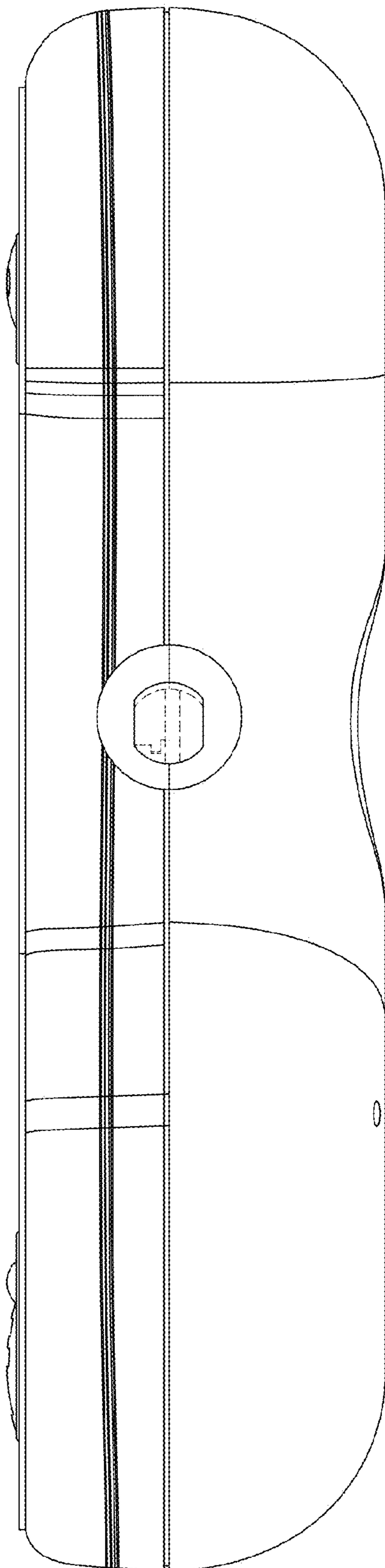


Figure 2



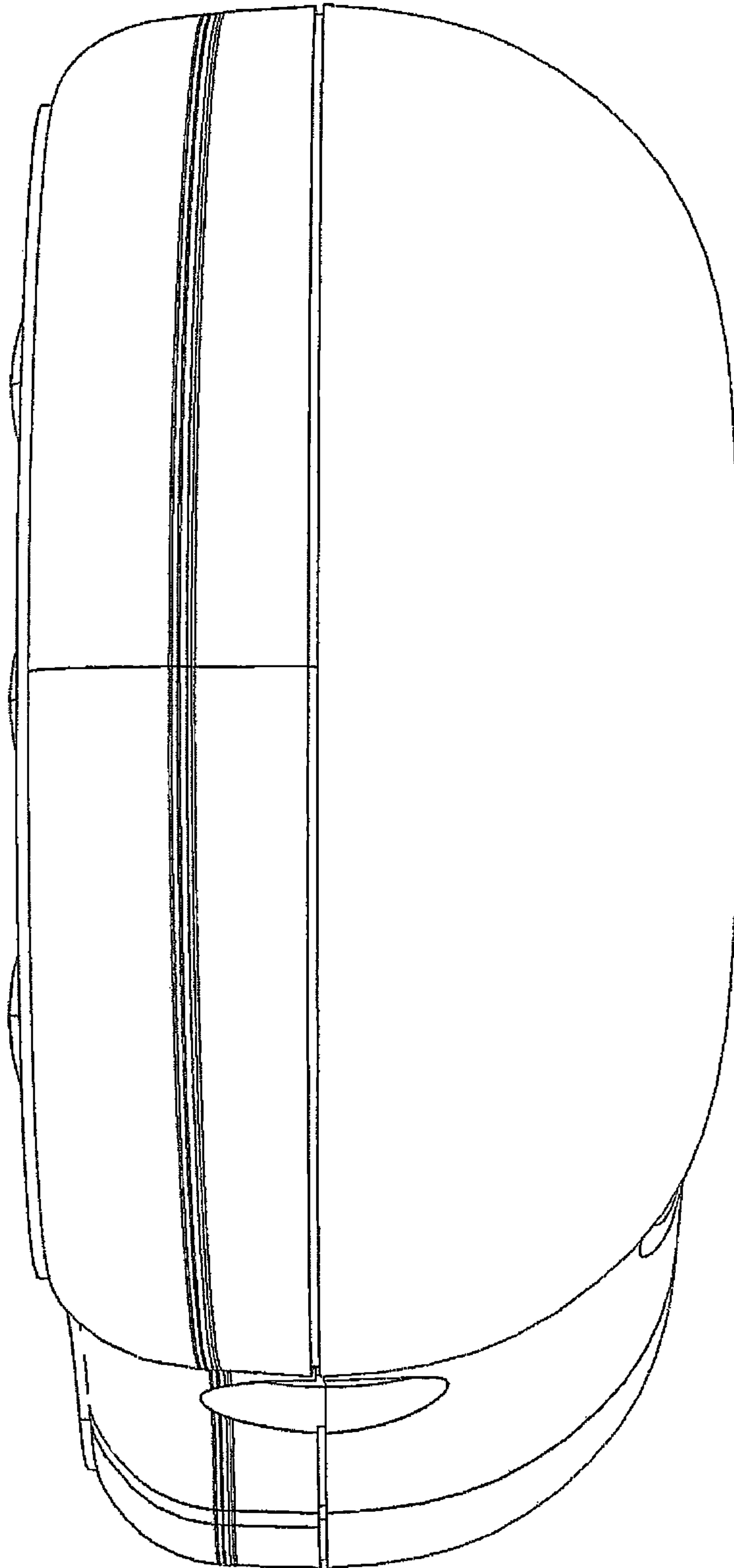


FIGURE 3

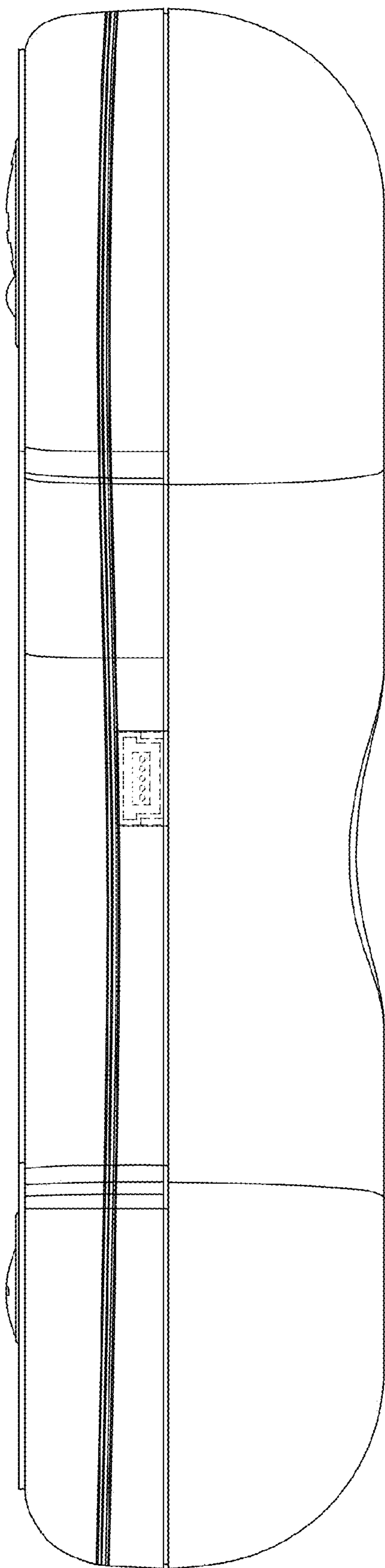


Figure 4

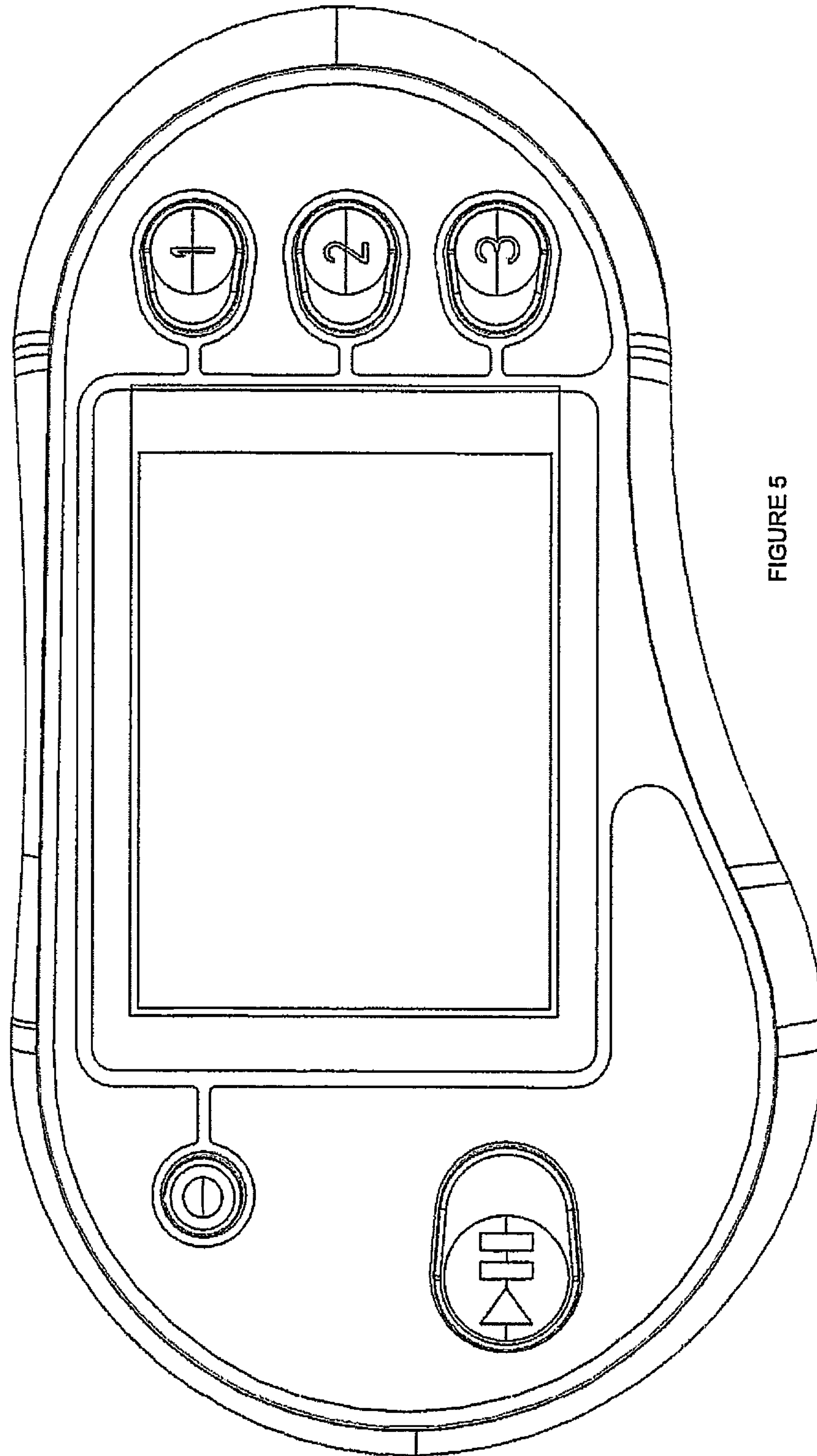


FIGURE 5

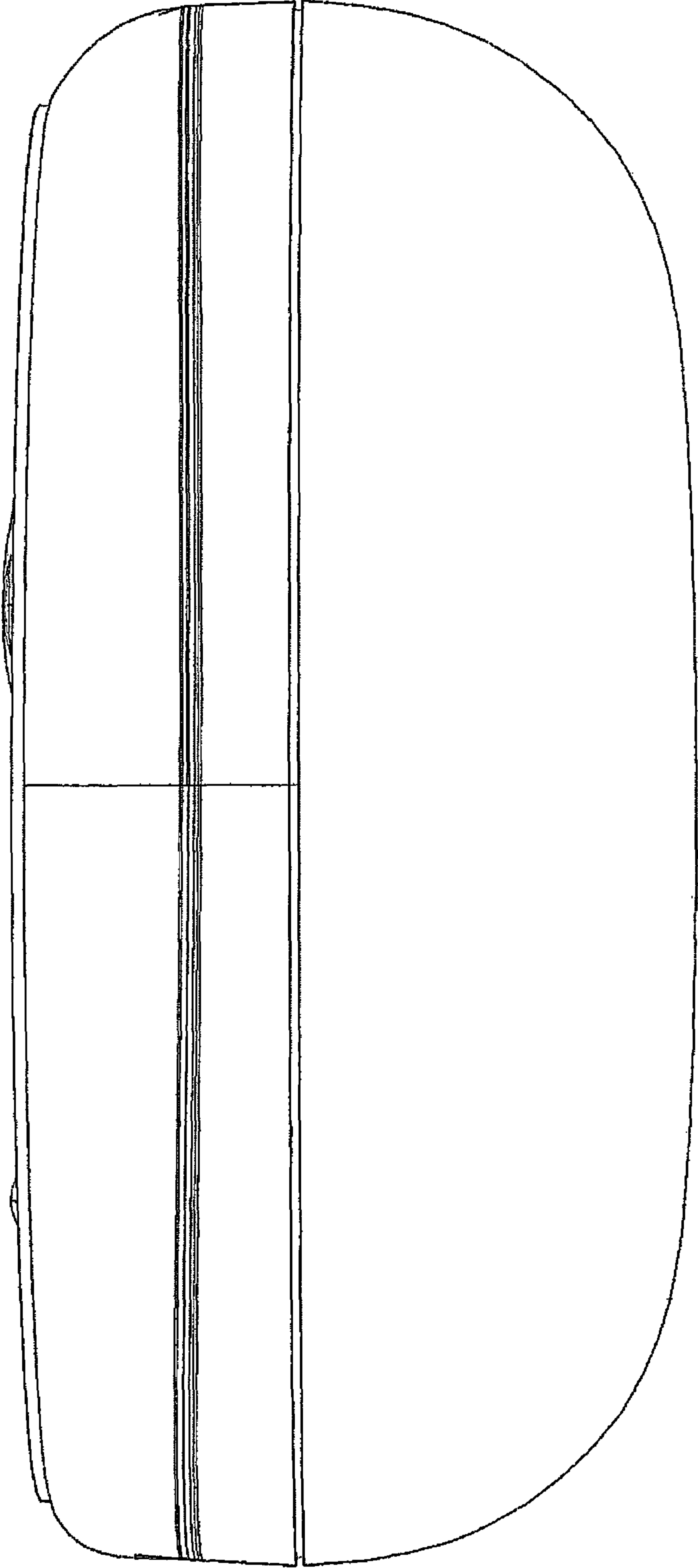


FIGURE 6

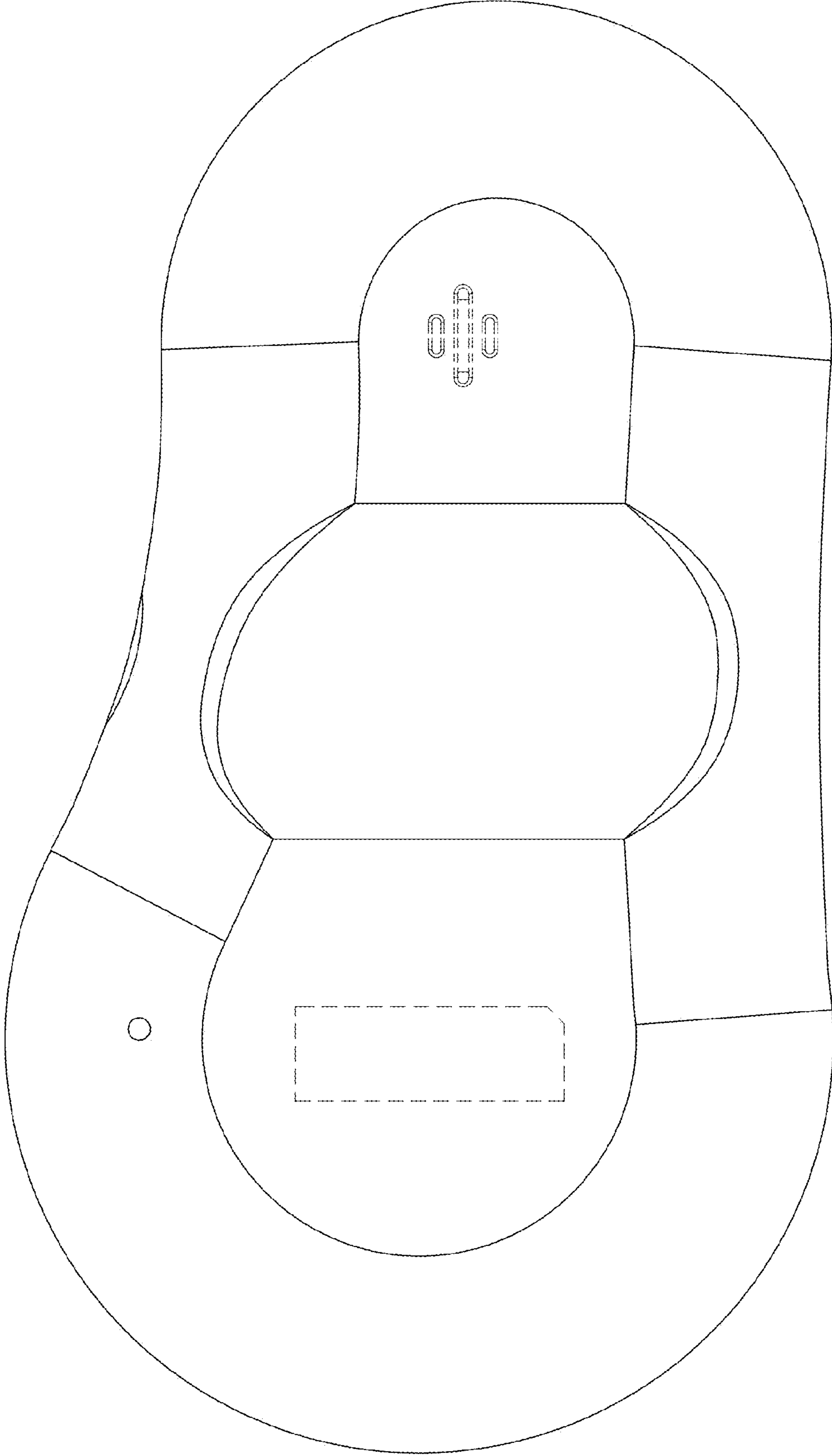


Figure 7