



US00D733898S

(12) **United States Design Patent**
Cloney

(10) **Patent No.:** **US D733,898 S**

(45) **Date of Patent:** **** Jul. 7, 2015**

(54) **BIB**

(76) Inventor: **Michelle Cloney**, Reston, VA (US)

(**) Term: **14 Years**

(21) Appl. No.: **29/423,717**

(22) Filed: **Jun. 4, 2012**

Related U.S. Application Data

(63) Continuation-in-part of application No. 29/369,445, filed on Sep. 8, 2010, now abandoned.

(51) **LOC (10) Cl.** **07-01**

(52) **U.S. Cl.**
USPC **D24/199**

(58) **Field of Classification Search**
USPC D24/127, 128, 129, 193, 196, 197, 198,
D24/199, 207; D9/444, 452; 220/227, 235,
220/694, 703, 714, 727, 745; 215/11.1,
215/11.2, 11.3, 11.4, 11.5, 11.6; D28/41;
D2/861, 994; 132/273, 275

See application file for complete search history.

(56) **References Cited**

U.S. PATENT DOCUMENTS

D315,036	S	*	2/1991	Leopold	D28/41
5,156,171	A	*	10/1992	Goodman	132/200
D355,974	S	*	2/1995	Jahn	D28/41
D382,800	S	*	8/1997	Dederling	D9/434
D393,156	S	*	4/1998	Degoede	D5/63
D396,128	S	*	7/1998	Fergusson	D28/41
D458,380	S	*	6/2002	Dutil	D24/197
6,585,711	B1	*	7/2003	Lohrasbi	604/385.07
7,614,523	B1	*	11/2009	Fixler et al.	220/738

D605,276	S	*	12/2009	Beardmore	D23/366
D643,160	S	*	8/2011	Welles	D30/152
8,132,682	B1	*	3/2012	Chackonal	215/11.6
2004/0055614	A1	*	3/2004	Cave	132/275

OTHER PUBLICATIONS

- "Le Bibble—Baby Bottle Bib". lebibble.com. Web. Dec. 21, 2010.*
- "Le Bibble Review and Giveaway". wahnresourcesite.com. Web. Jan. 26, 2011.*
- "Le Bibble—the baby bottle bib". babyology.com.au. Web. Feb. 16, 2011.*
- "Bobbie's Minute Buzz: Style Made by You". bobbie.com. Web. Jun. 3, 2011.*
- "Le Bibble Bottle Bibs Review and Giveaway". babymamaloves.blogspot.com. Web. Sep. 6, 2012.*

* cited by examiner

Primary Examiner — Robert M Spear

Assistant Examiner — Kendra L Hamilton

(74) *Attorney, Agent, or Firm* — Jordan IP Law, LLC; Todd A. Vaughn

(57) **CLAIM**

The ornamental design for a bib, as shown and described.

DESCRIPTION

FIG. 1 illustrates a top plan view of a bib.

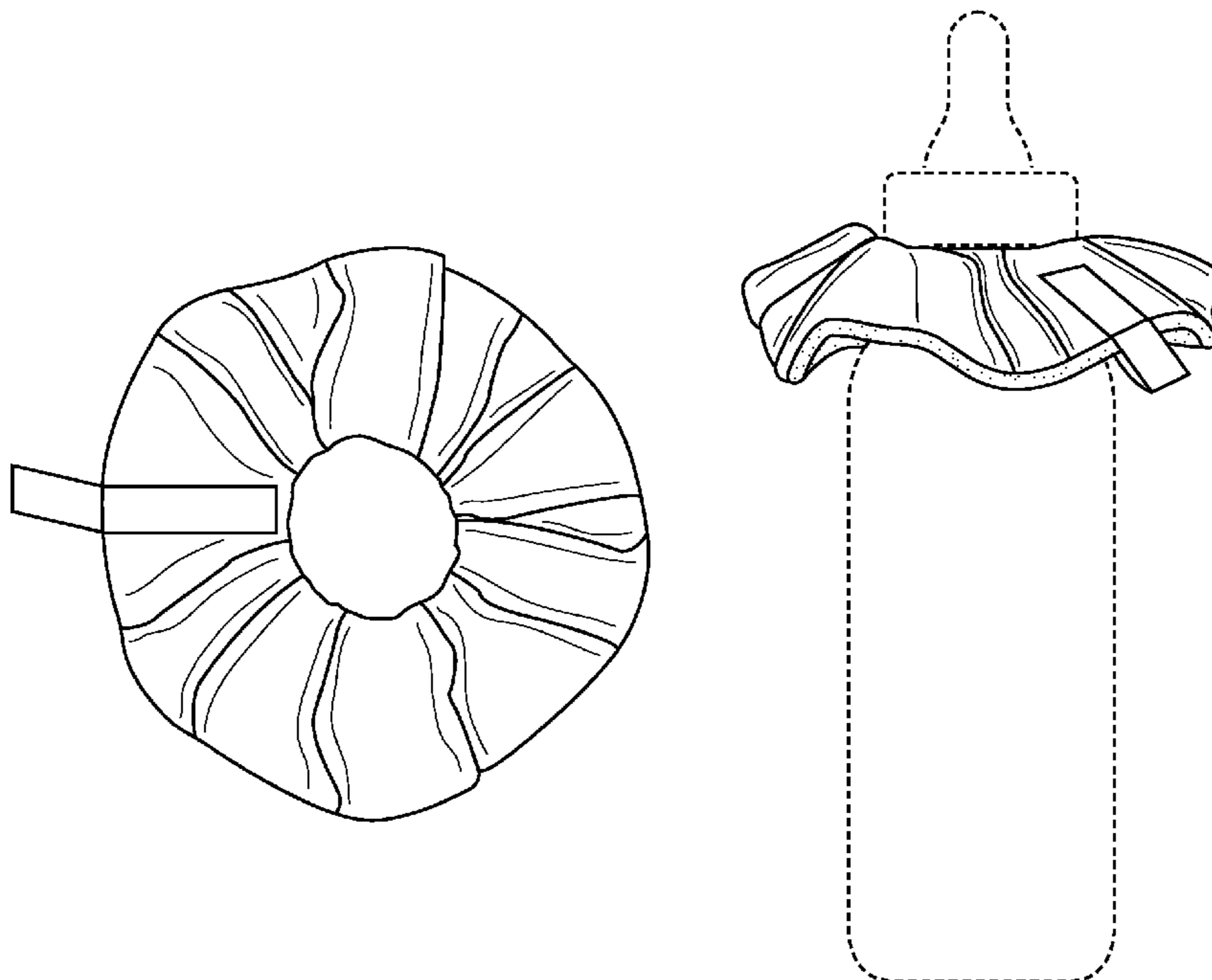
FIG. 2 illustrates a bottom plan view thereof.

FIG. 3 illustrates a side view of the bib placed on an unclaimed baby bottle; and,

FIG. 4 illustrates another side view of the bib placed on an unclaimed baby bottle.

The broken lines in the drawings represent unclaimed environmental subject matter and form no part of the claim.

1 Claim, 2 Drawing Sheets



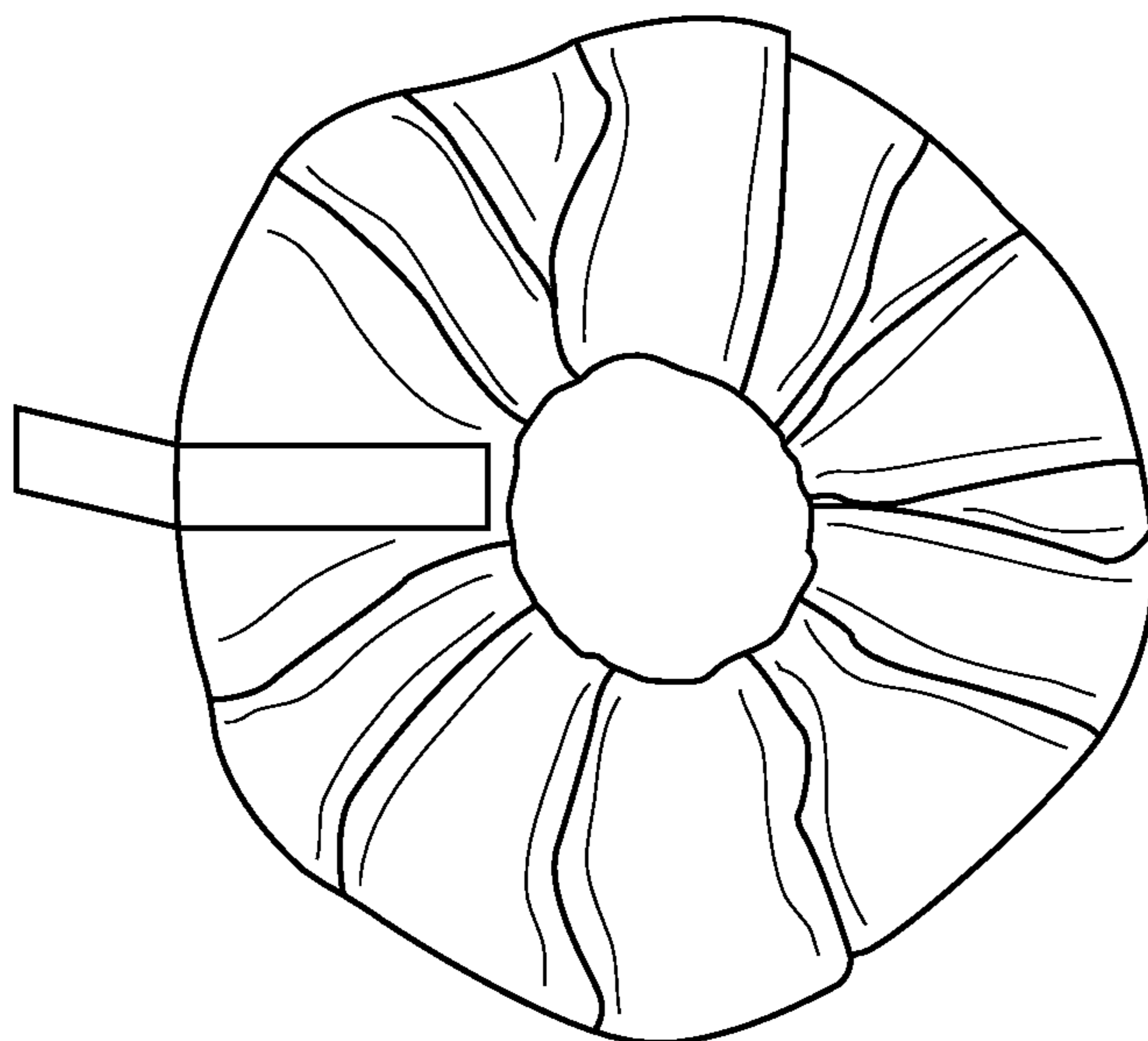


FIG.1

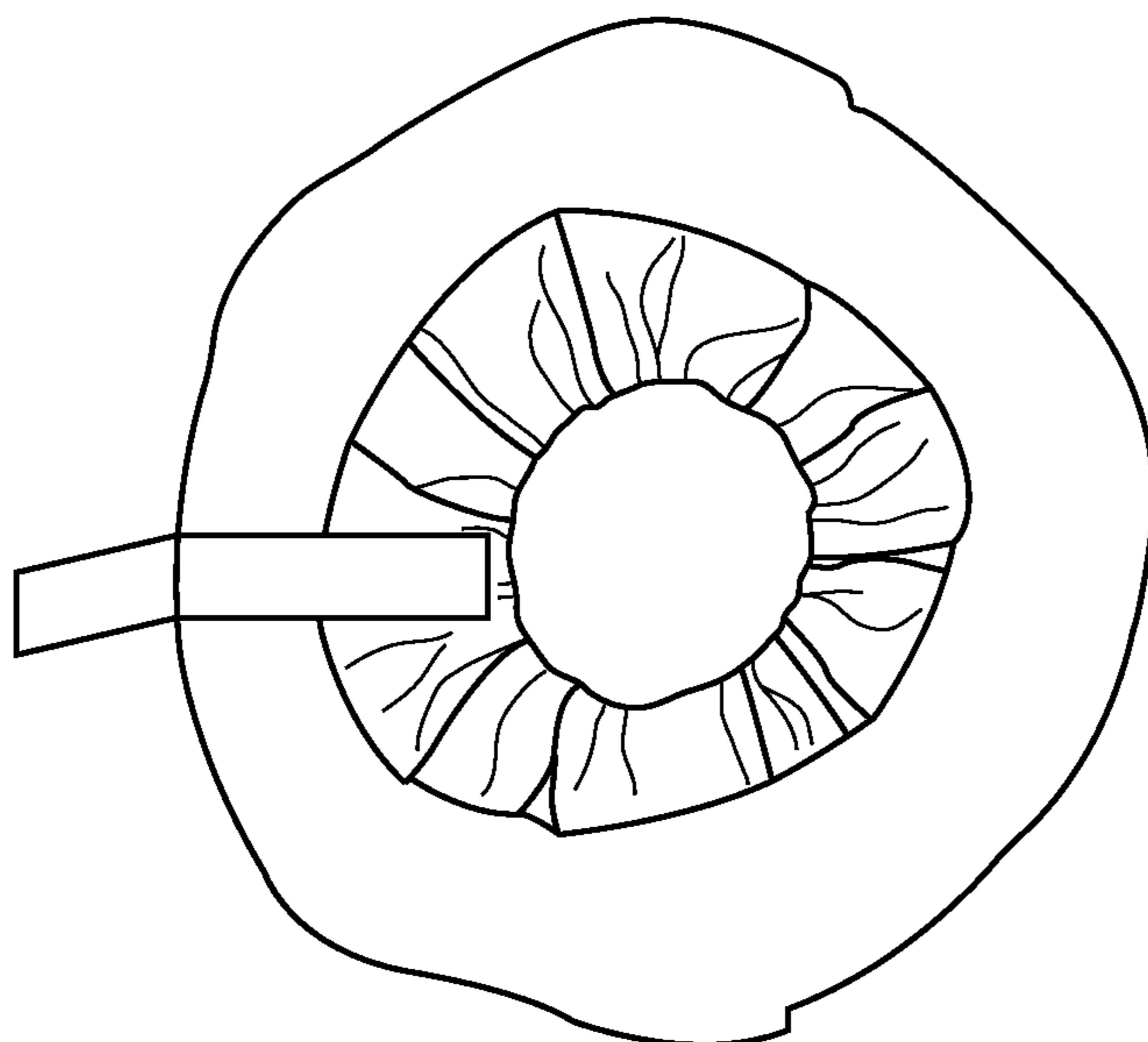


FIG.2

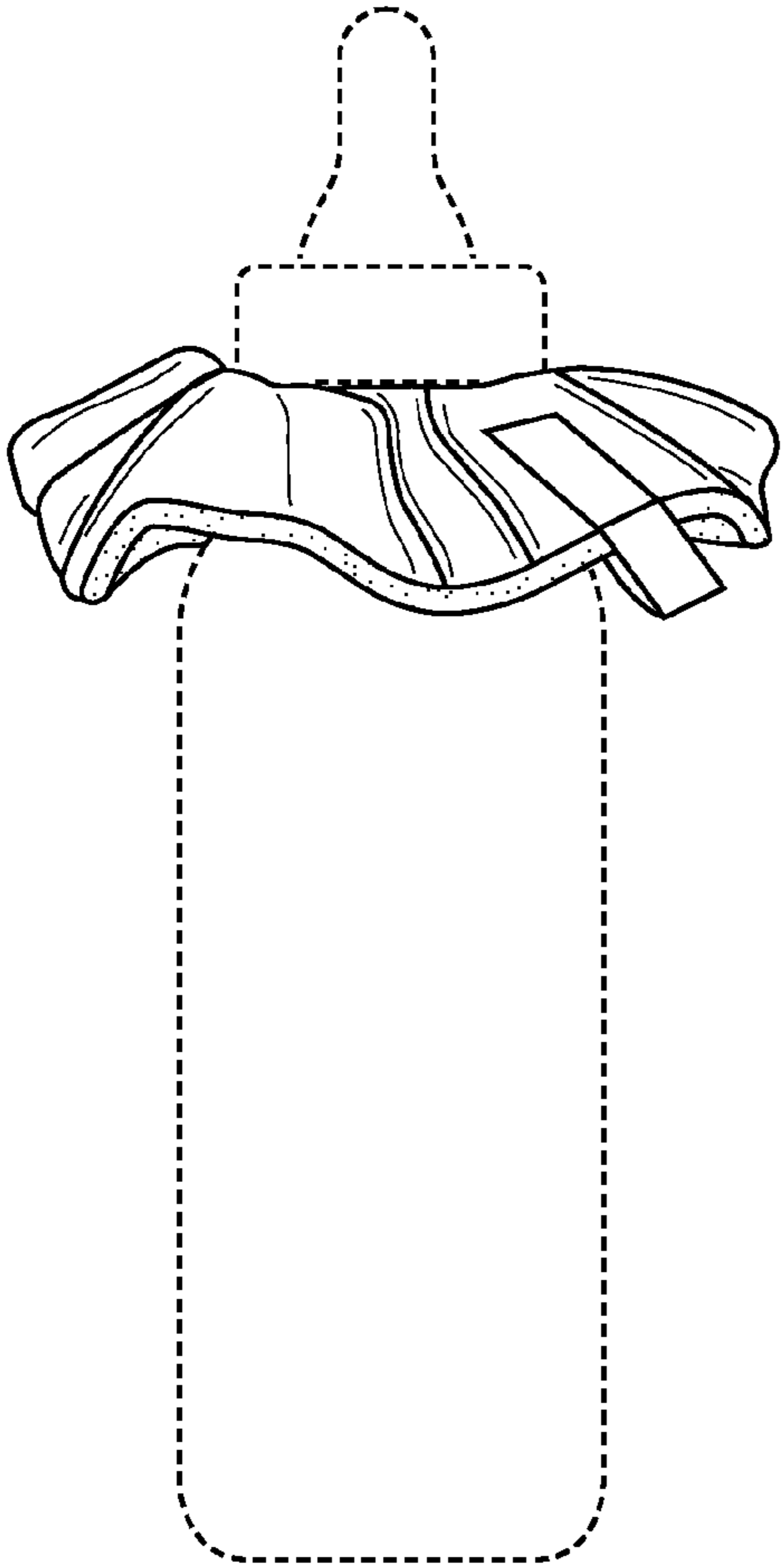


FIG.3

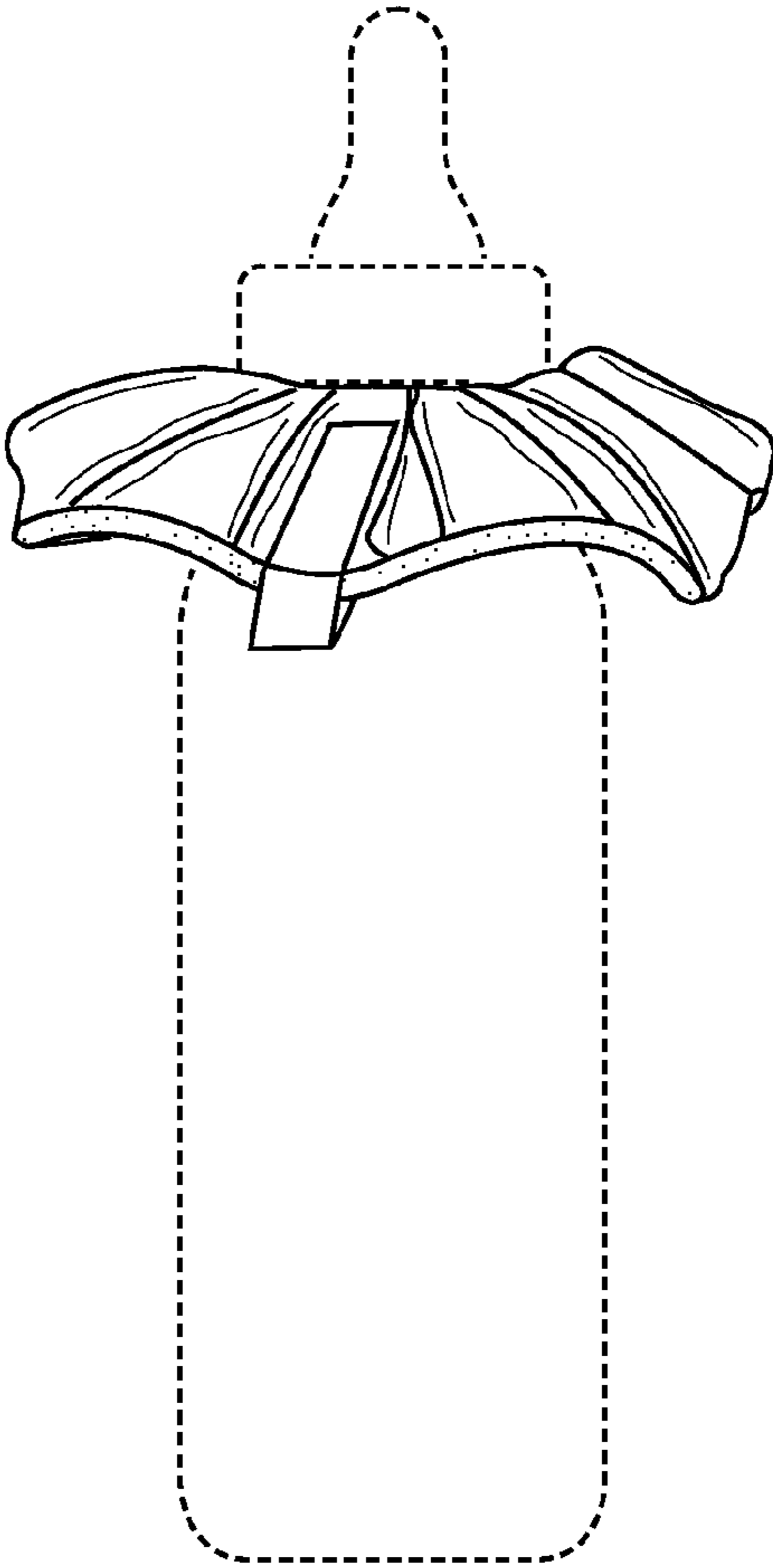


FIG.4