



US00D733897S

(12) **United States Design Patent**
Rossouw

(10) **Patent No.:** **US D733,897 S**
(45) **Date of Patent:** **** Jul. 7, 2015**

- (54) **ORTHOTIC SUPPORT**
- (71) Applicant: **Medicinae (Pty) Ltd**, Durban (ZA)
- (72) Inventor: **Rachel Cornelia Rossouw**, Durban (ZA)
- (73) Assignee: **Medicinae (Pty) Ltd**, Pretoria (ZA)
- (**) Term: **14 Years**
- (21) Appl. No.: **29/486,263**
- (22) Filed: **Mar. 27, 2014**
- (51) **LOC (10) Cl.** **24-04**
- (52) **U.S. Cl.**
USPC **D24/190; D24/184**
- (58) **Field of Classification Search**
USPC D24/183, 184, 190; 5/603, 632, 646, 5/648, 650; 602/1, 4, 5
CPC A47G 9/10; A47C 20/021; A47C 20/023; A47C 16/00; A47C 20/026; A47C 20/027; A61G 7/0755; A61G 13/121; A61G 7/075; A61G 13/1235
See application file for complete search history.

| | | | | |
|--------------|------|---------|---------------|---------|
| 7,017,215 | B1 * | 3/2006 | Singer et al. | 5/646 |
| 7,441,293 | B1 * | 10/2008 | Singer et al. | 5/646 |
| D598,106 | S * | 8/2009 | Goumas | D24/184 |
| D601,261 | S * | 9/2009 | Levan | D24/184 |
| D625,421 | S * | 10/2010 | Sharps et al. | D24/184 |
| D642,280 | S * | 7/2011 | Goumas | D24/190 |
| 8,273,041 | B2 * | 9/2012 | Goumas | 602/4 |
| 2003/0014820 | A1 * | 1/2003 | Fuhriman | 5/646 |

* cited by examiner

Primary Examiner — George D Kirschbaum
Assistant Examiner — Jennifer Watkins
(74) *Attorney, Agent, or Firm* — Alston & Bird LLP

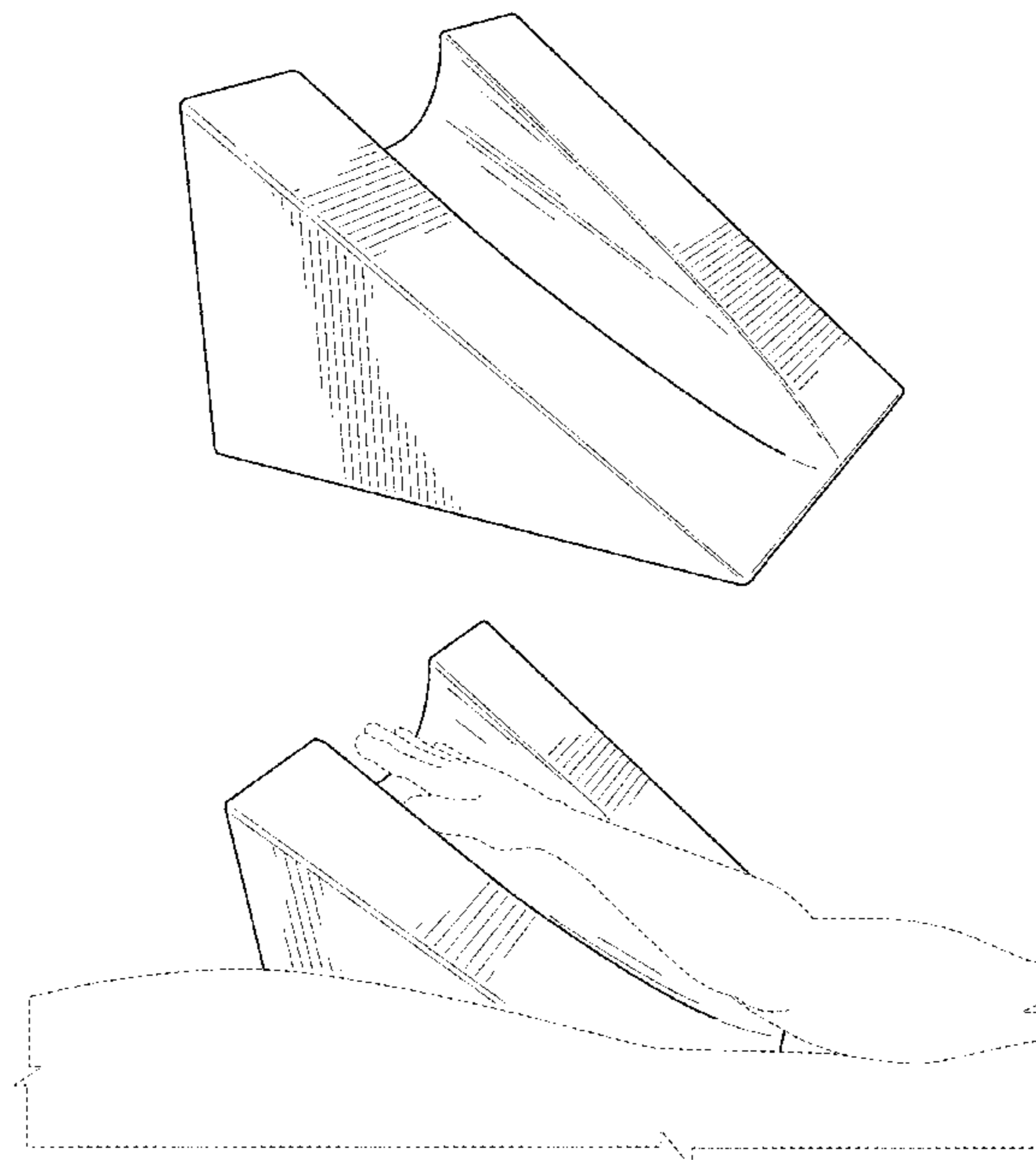
(57) **CLAIM**
I claim the ornamental design for an orthotic support, as shown and described.

DESCRIPTION

FIG. 1 is a perspective view of an orthotic support showing my new design;
FIG. 2 is another perspective view thereof;
FIG. 3 is a rear perspective view thereof;
FIG. 4 is a right perspective view thereof;
FIG. 5 is a top perspective view thereof;
FIG. 6 is yet another perspective view thereof, shown in a situation of use;
FIG. 7 is a front elevation view thereof;
FIG. 8 is a rear elevation view thereof;
FIG. 9 is a right side elevation view thereof, the left side elevation view being a mirror image thereof; and,
FIG. 10 is a top plan view thereof.
The broken lines in FIGS. 3 and 8 represent portions of the orthotic support that form no part of the claimed design. The broken lines showing a human form in FIG. 6 represent environment and form no part of the claimed design.

1 Claim, 5 Drawing Sheets

- (56) **References Cited**
U.S. PATENT DOCUMENTS
- | | | | | |
|-----------|-----|---------|-----------------|---------|
| 4,270,235 | A * | 6/1981 | Gutmann | 5/646 |
| D321,562 | S * | 11/1991 | Ljungvall | D24/183 |
| D345,797 | S * | 4/1994 | Gardner | D24/183 |
| D359,804 | S * | 6/1995 | Carter | D24/183 |
| D387,167 | S * | 12/1997 | Klein | D24/183 |
| D413,982 | S * | 9/1999 | Swedberg et al. | D24/190 |
| D415,281 | S * | 10/1999 | Swedberg et al. | D24/190 |
| D422,362 | S * | 4/2000 | Ames | D24/183 |
| D424,698 | S * | 5/2000 | Ames | D24/183 |
| D426,307 | S * | 6/2000 | Swedberg et al. | D24/183 |
| D447,568 | S * | 9/2001 | Hall et al. | D24/183 |



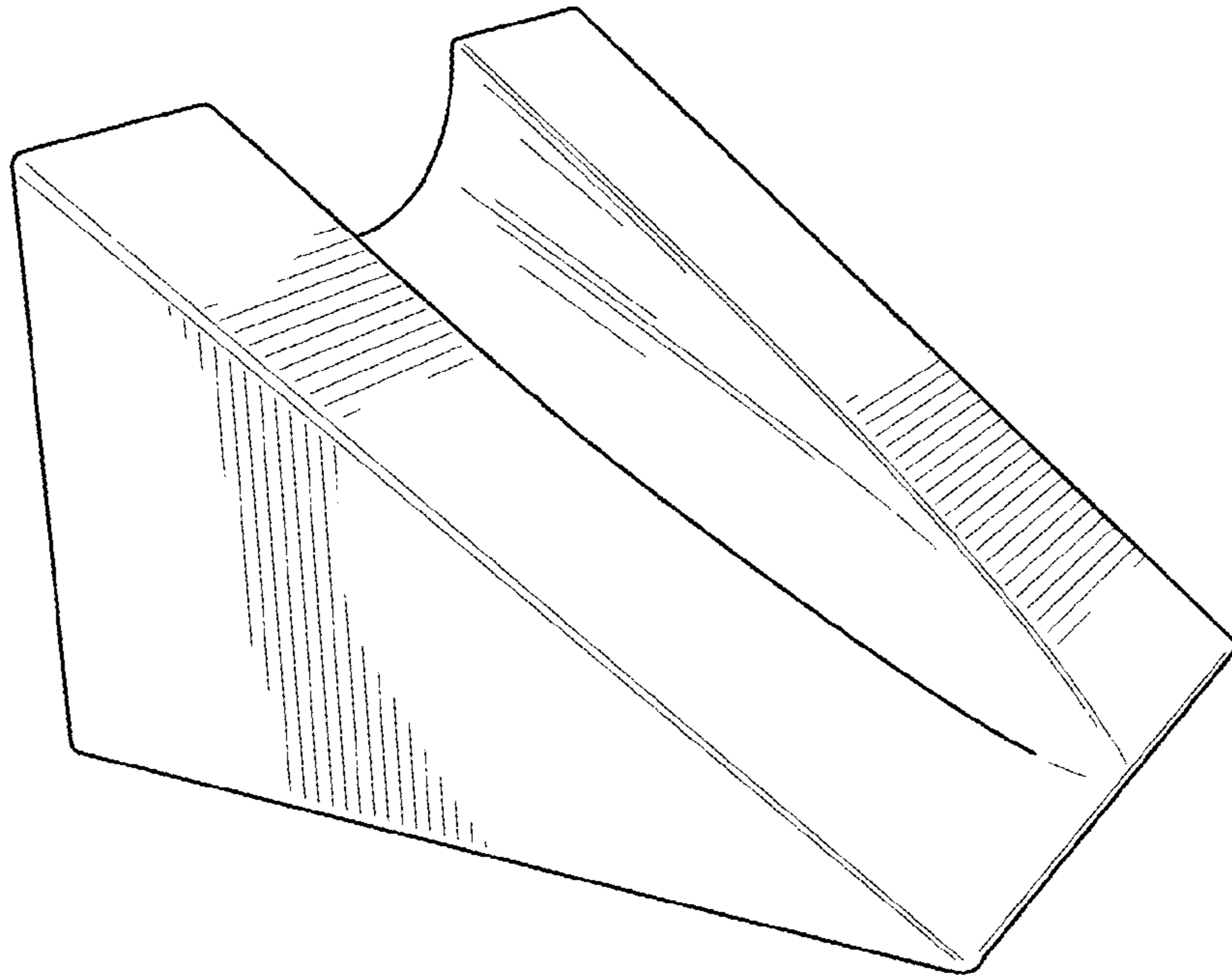


FIG. 1

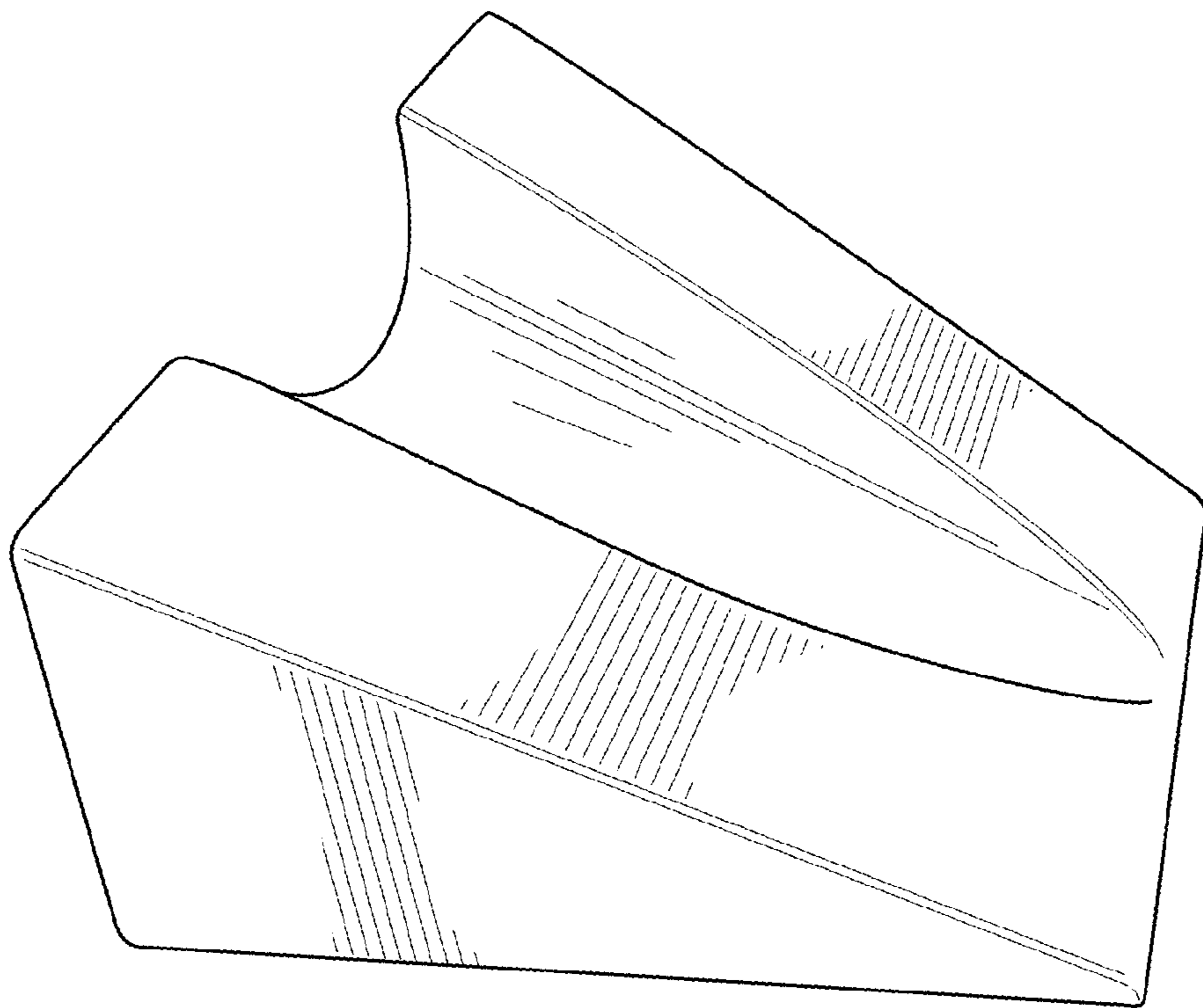


FIG. 2

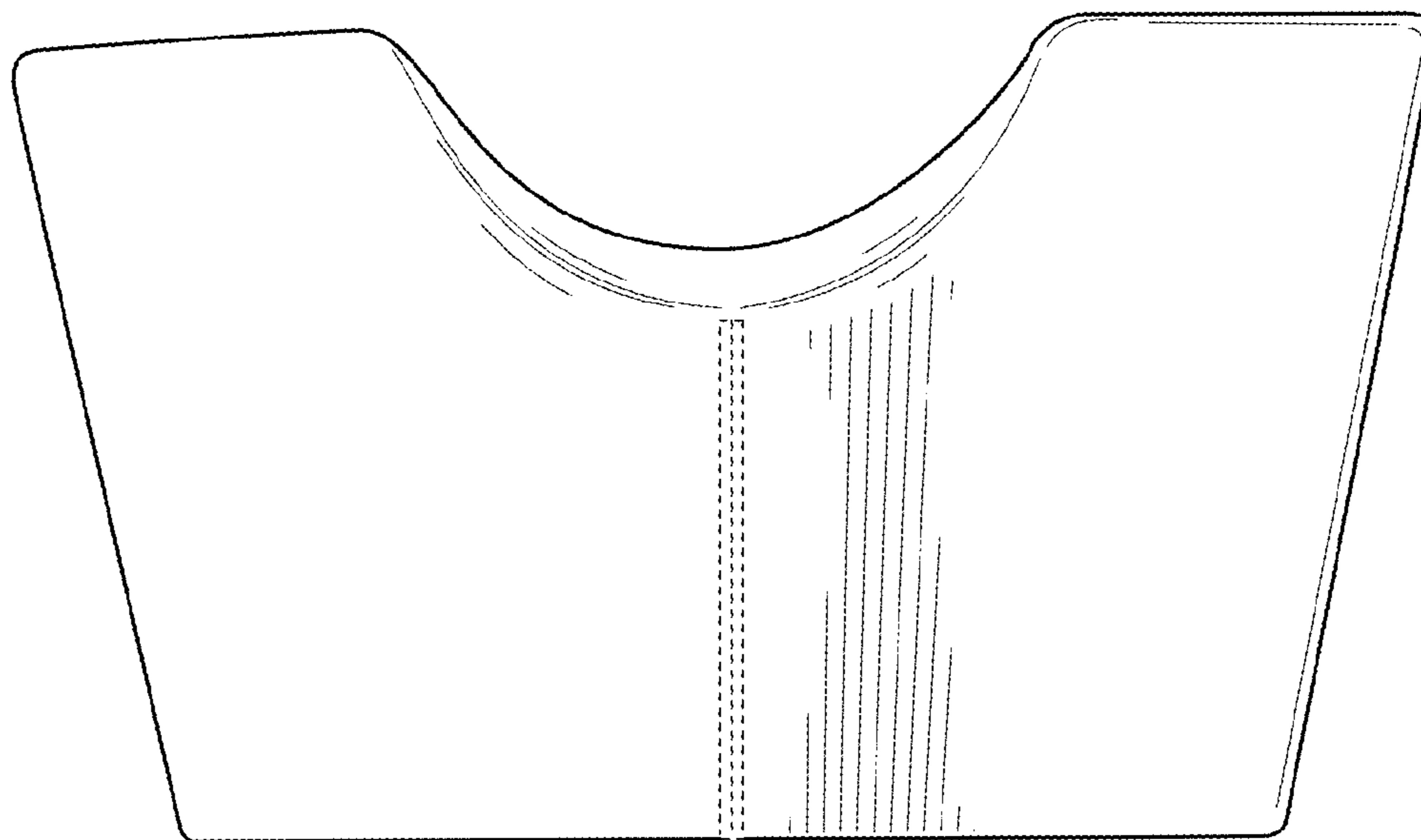


FIG. 3

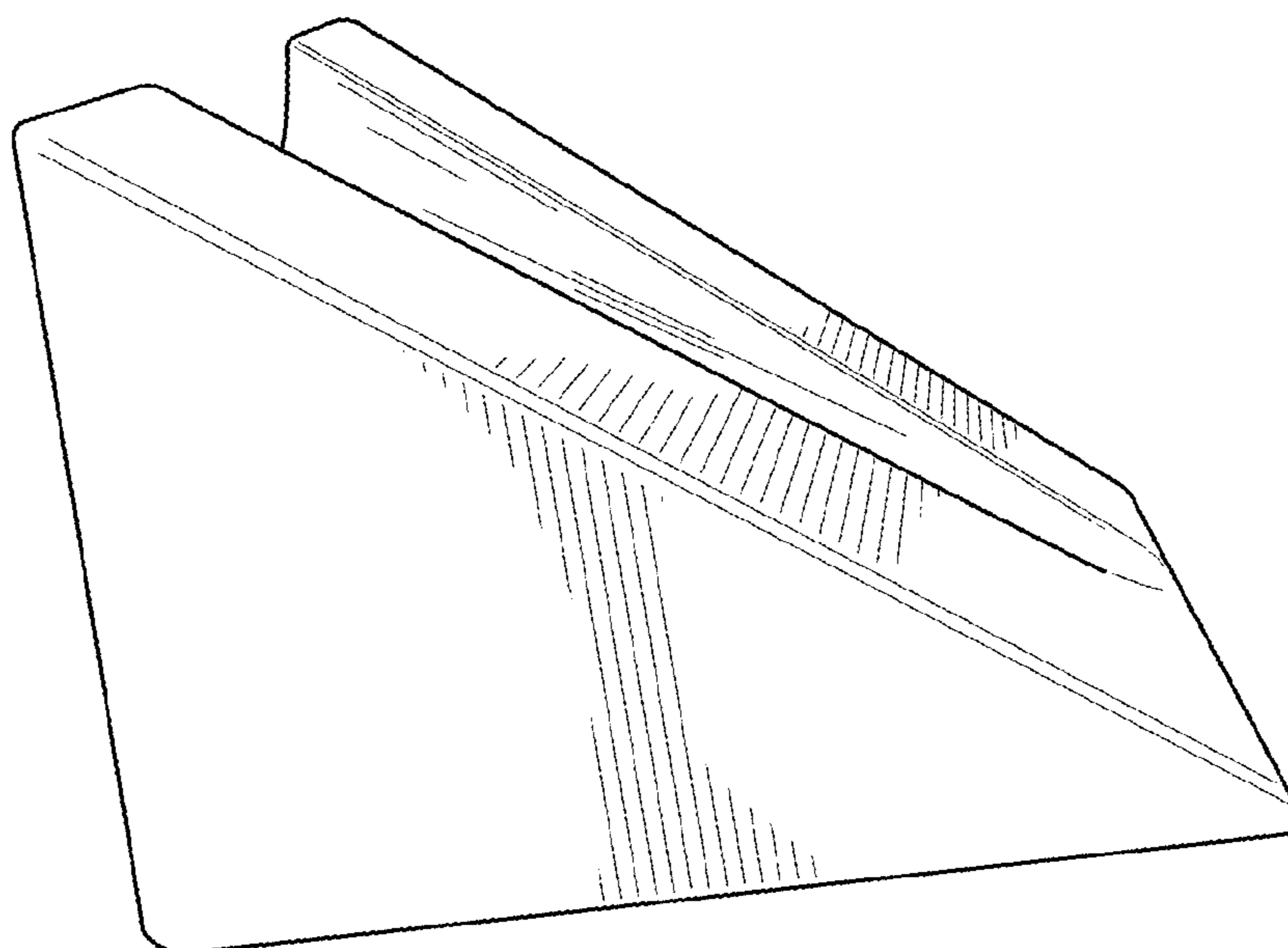


FIG. 4

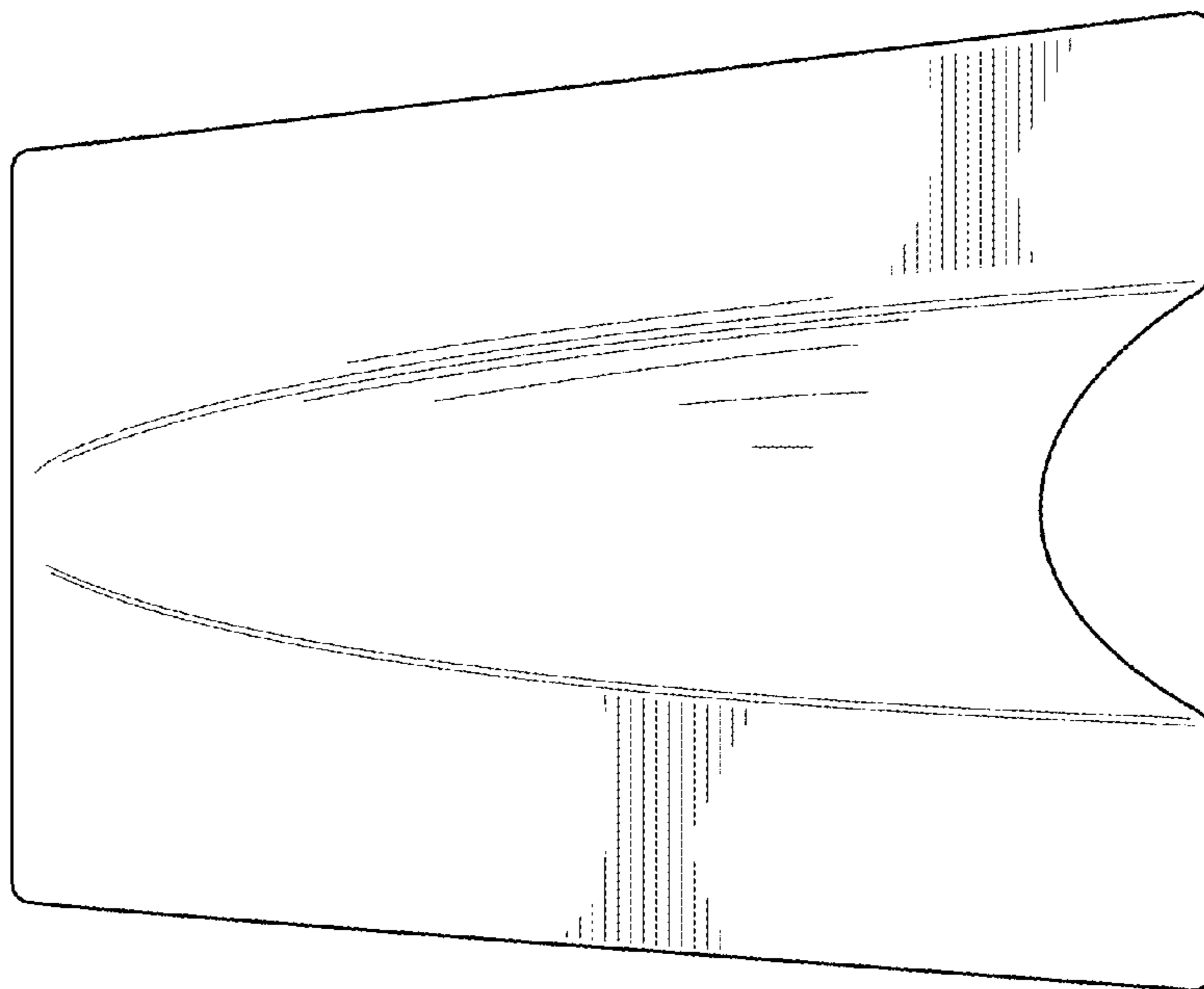


FIG. 5

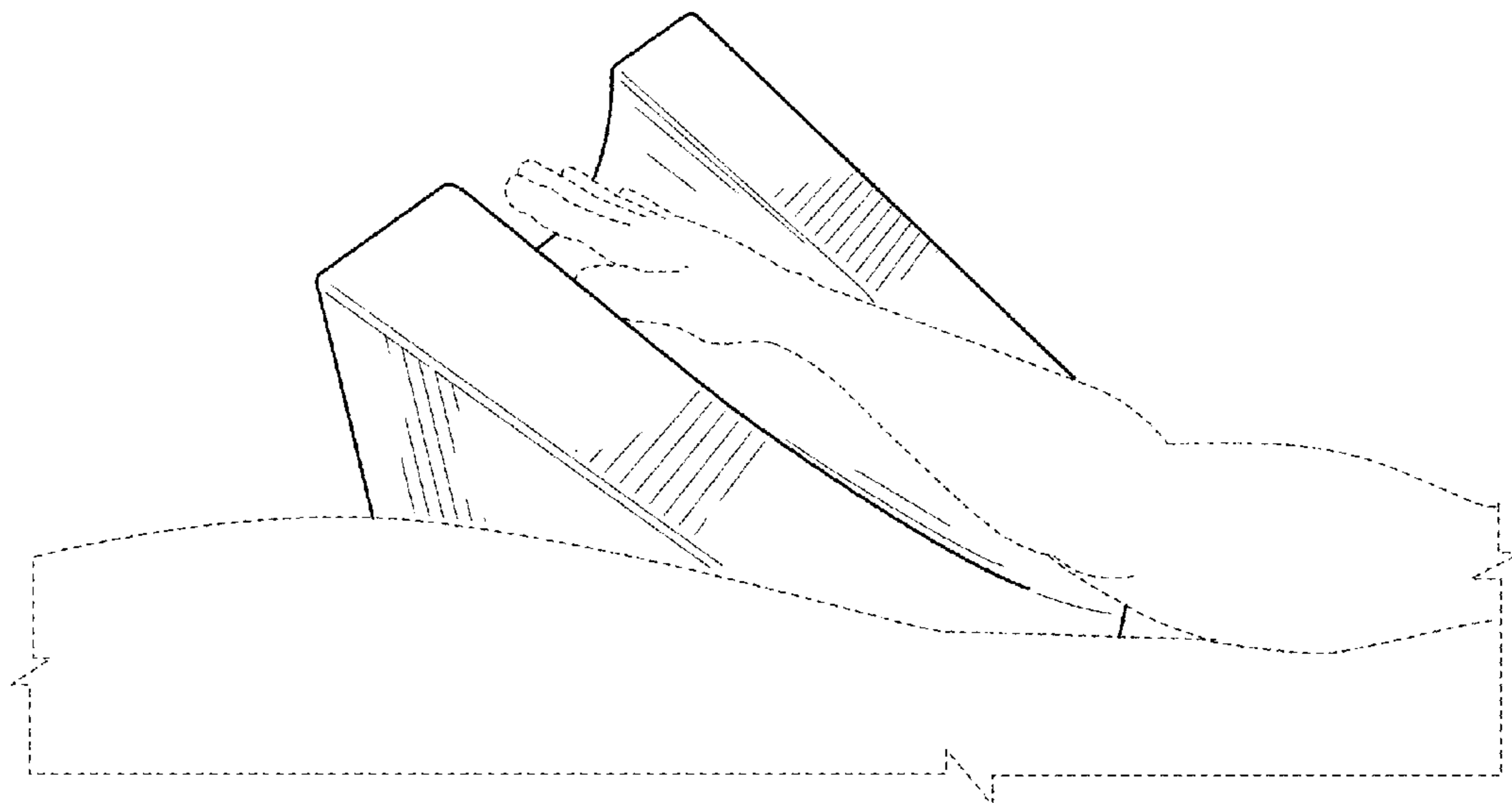


FIG. 6

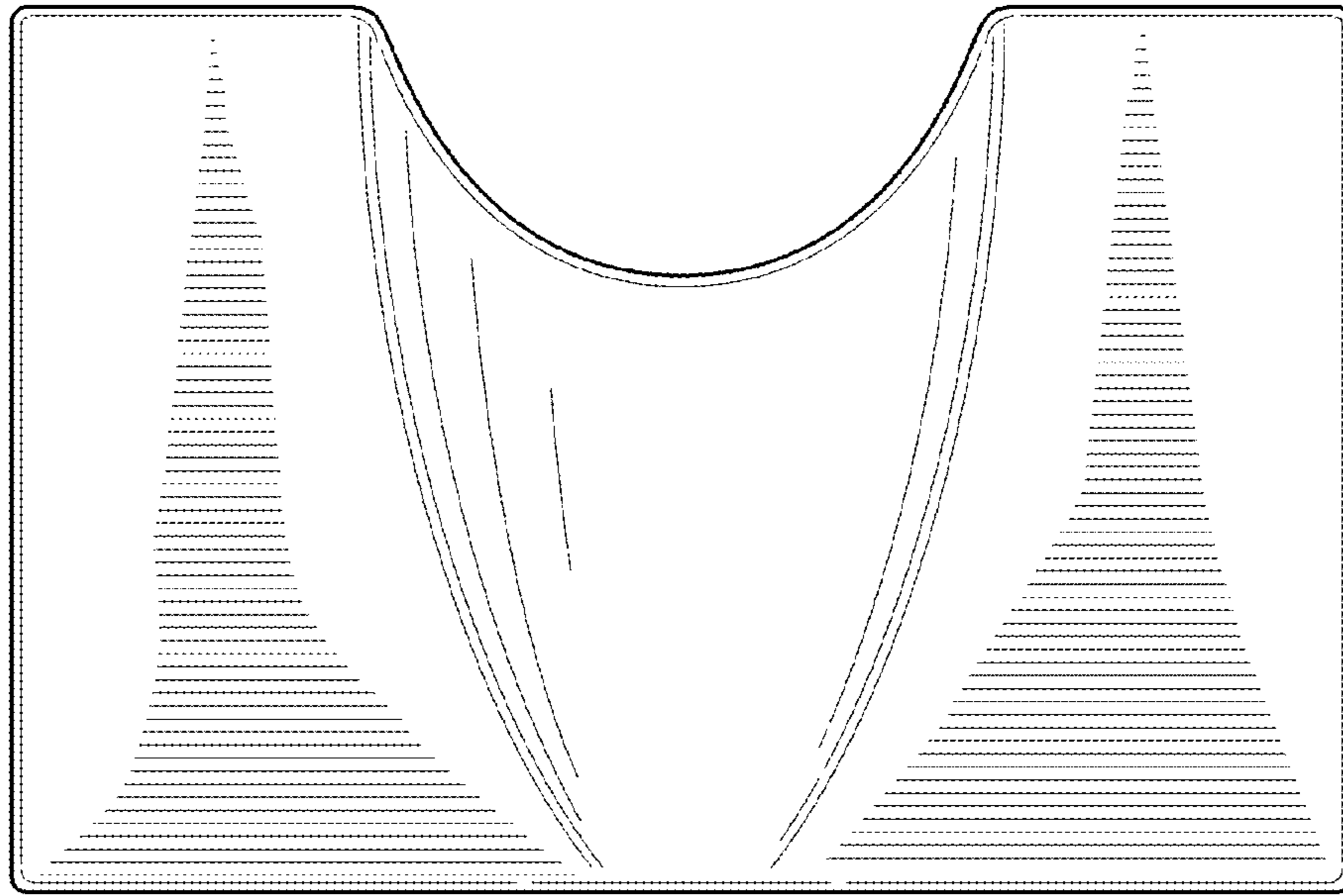


FIG. 7

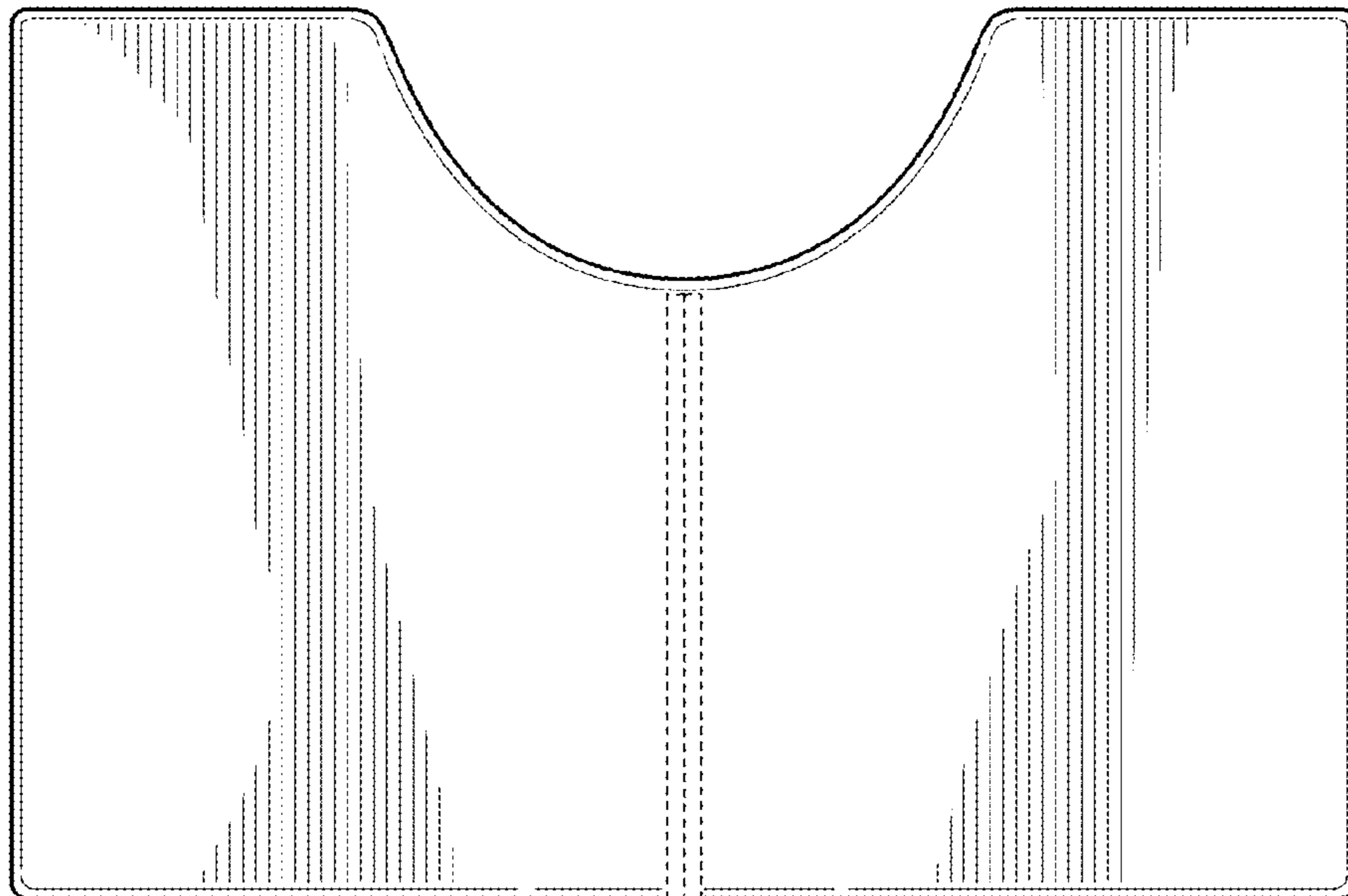


FIG. 8

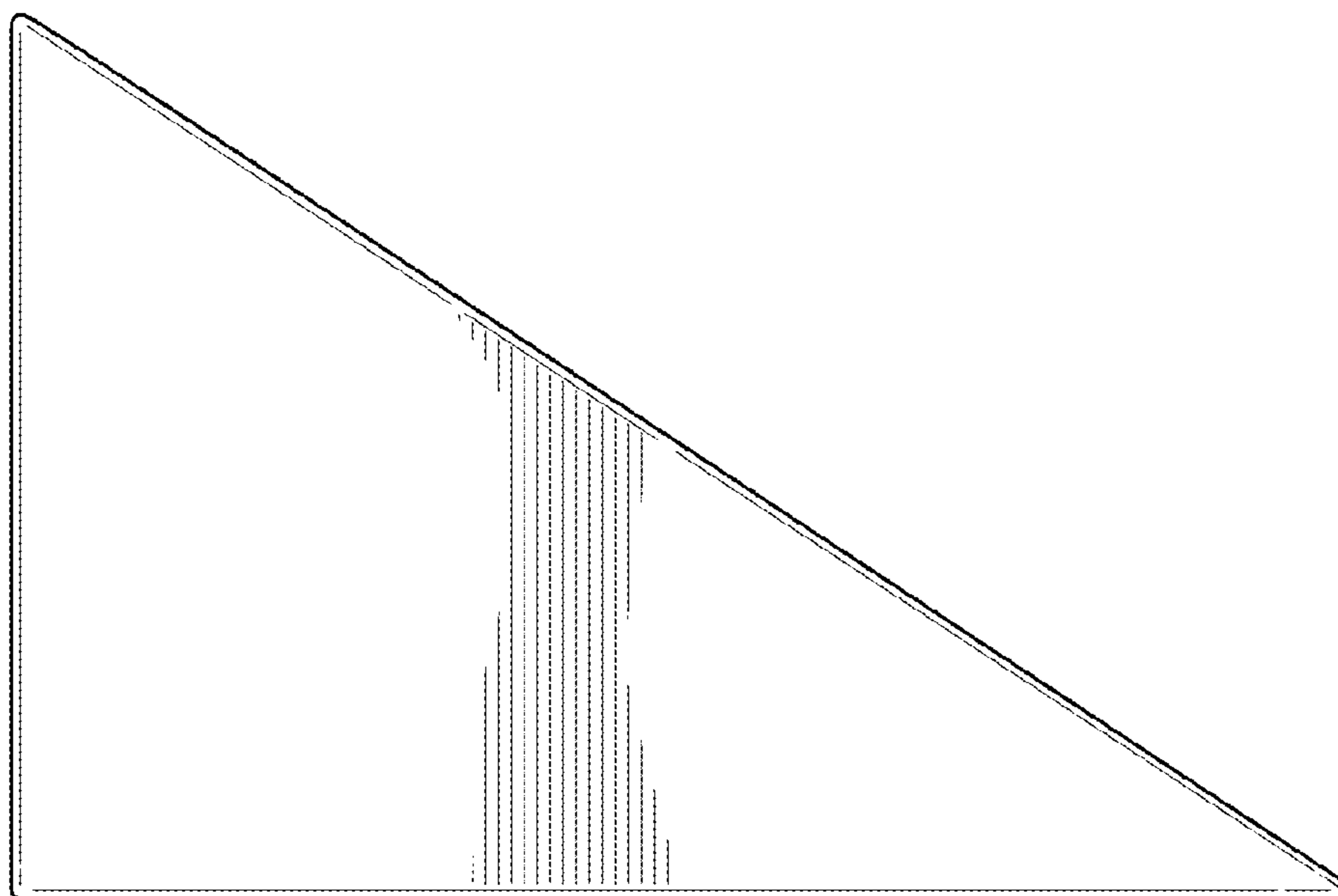


FIG. 9

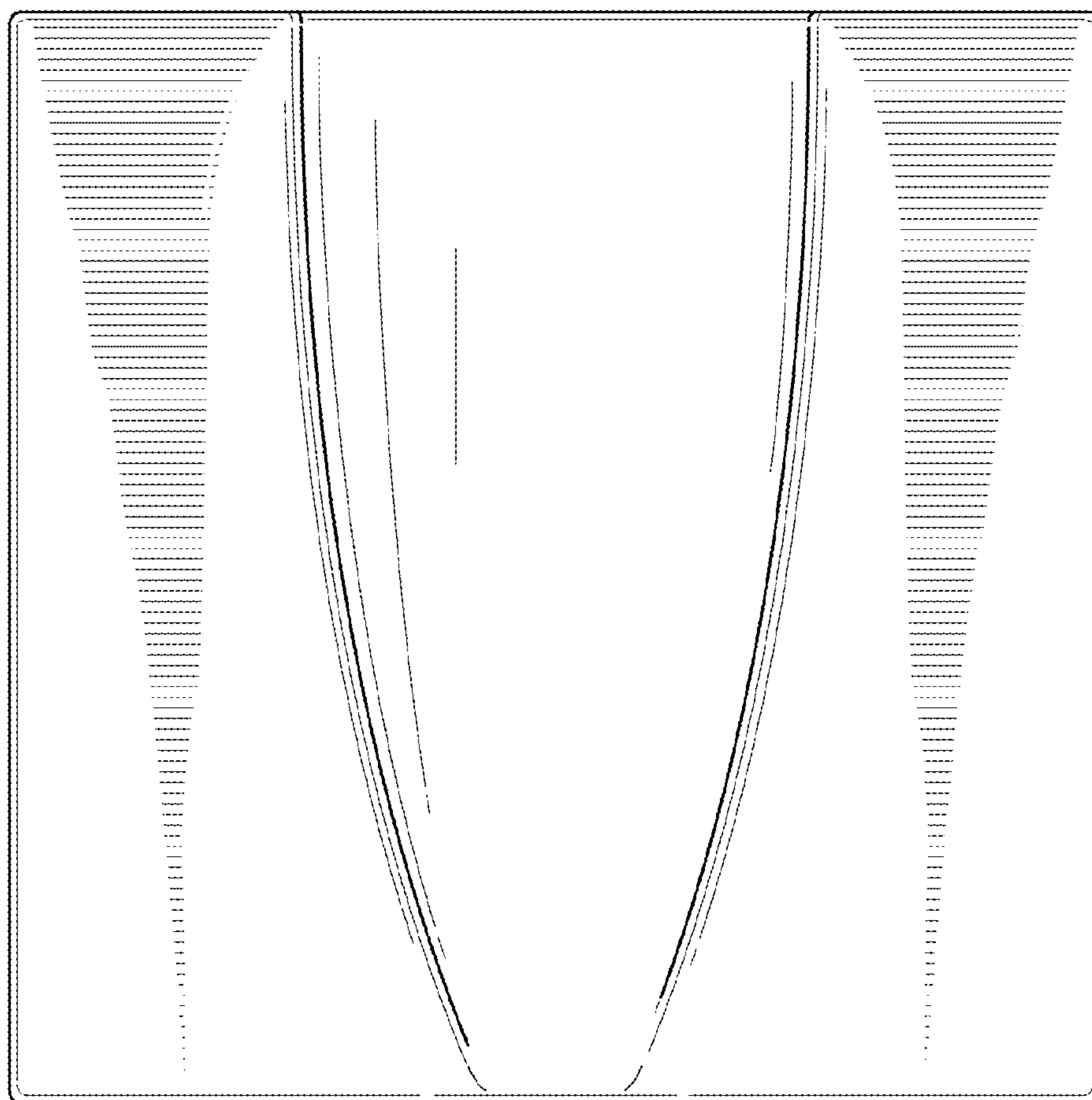


FIG. 10