



US00D733896S

(12) **United States Design Patent**
Hardman et al.

(10) **Patent No.:** **US D733,896 S**
(45) **Date of Patent:** **** Jul. 7, 2015**

- (54) **ABDOMINAL DRESSING**
- (71) Applicant: **GENADYNE BIOTECHNOLOGIES, INC.**, Hicksville, NY (US)
- (72) Inventors: **Ian James Hardman**, Bournemouth (GB); **Keith Patrick Heaton**, Poole (GB)
- (73) Assignee: **Genadyne Biotechnologies, Inc.**, Hicksville, NY (US)
- (**) Term: **14 Years**
- (21) Appl. No.: **29/479,309**
- (22) Filed: **Jan. 14, 2014**

6,355,858	B1 *	3/2002	Gibbins	602/41
6,553,998	B2	4/2003	Heaton et al.		
D493,230	S *	7/2004	Liedtke et al.	D24/189
6,936,037	B2	8/2005	Bubb et al.		
7,070,584	B2	7/2006	Johnson et al.		
7,216,651	B2	5/2007	Argenta et al.		

(Continued)

FOREIGN PATENT DOCUMENTS

WO	0185248	A1	11/2001
WO	2004060148	A2	7/2004

(Continued)

OTHER PUBLICATIONS

KCI Trackpad <http://www.kci1.com/KCI1/accessories-tracpad>; Earliest known publication Oct. 4, 2012.

(Continued)

Related U.S. Application Data

- (63) Continuation-in-part of application No. 29/420,108, filed on May 4, 2012, now abandoned.
- (51) **LOC (10) Cl.** **24-01**
- (52) **U.S. Cl.**
USPC **D24/190**; D24/189
- (58) **Field of Classification Search**
USPC D24/128, 189, 190; 602/41, 43, 44, 46, 602/48, 49, 53, 55, 58; 604/289, 305, 313, 604/319, 327, 365, 368, 372, 397, 543; 424/404, 445; 607/194; 128/897
CPC .. A61M 1/0088; A61M 1/0023; A61M 27/00
See application file for complete search history.

Primary Examiner — George D Kirschbaum
Assistant Examiner — Jennifer Watkins
(74) *Attorney, Agent, or Firm* — Collard & Roe, P.C.

(57) **CLAIM**

The ornamental design for an abdominal dressing, as shown and described.

DESCRIPTION

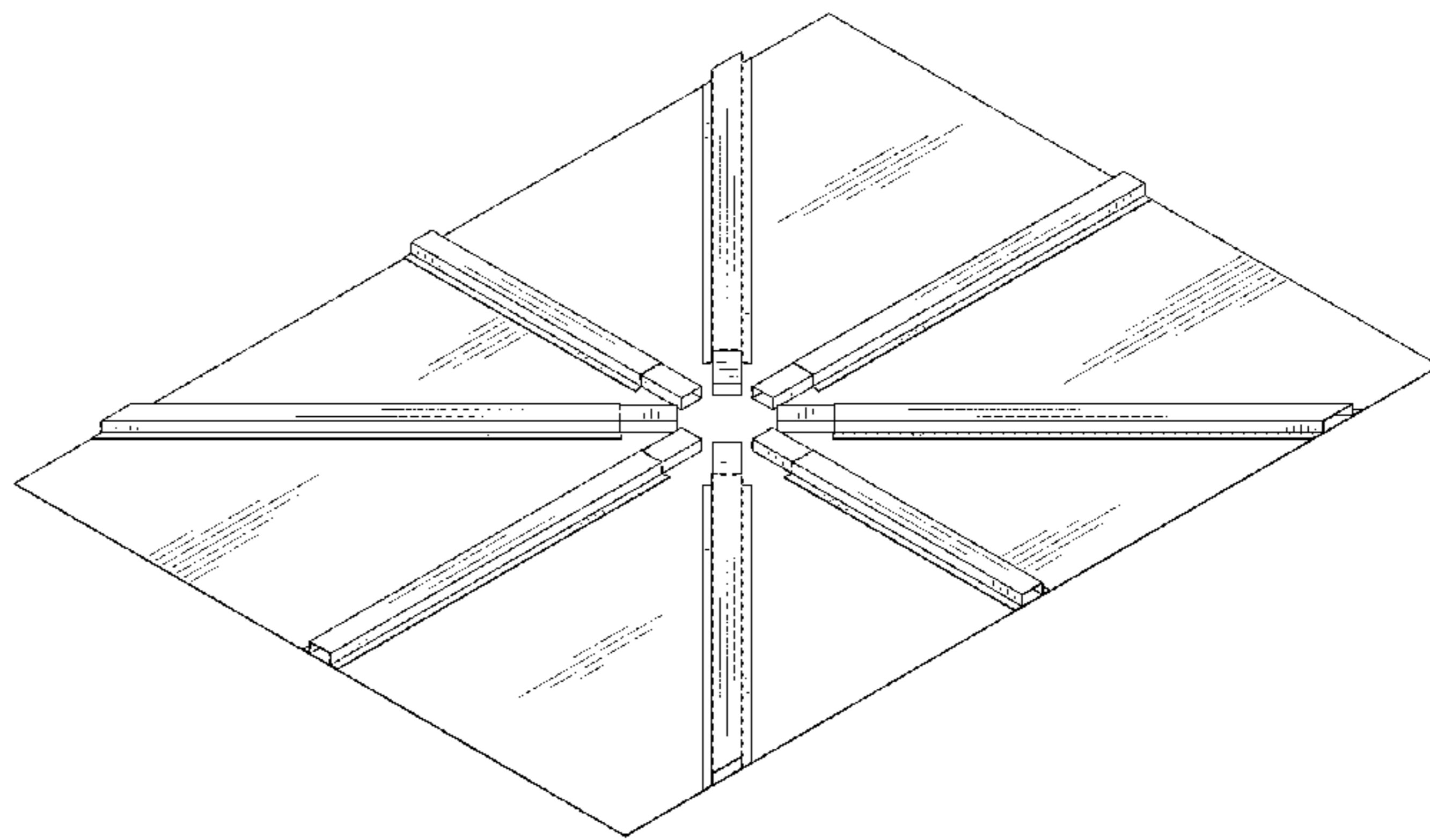
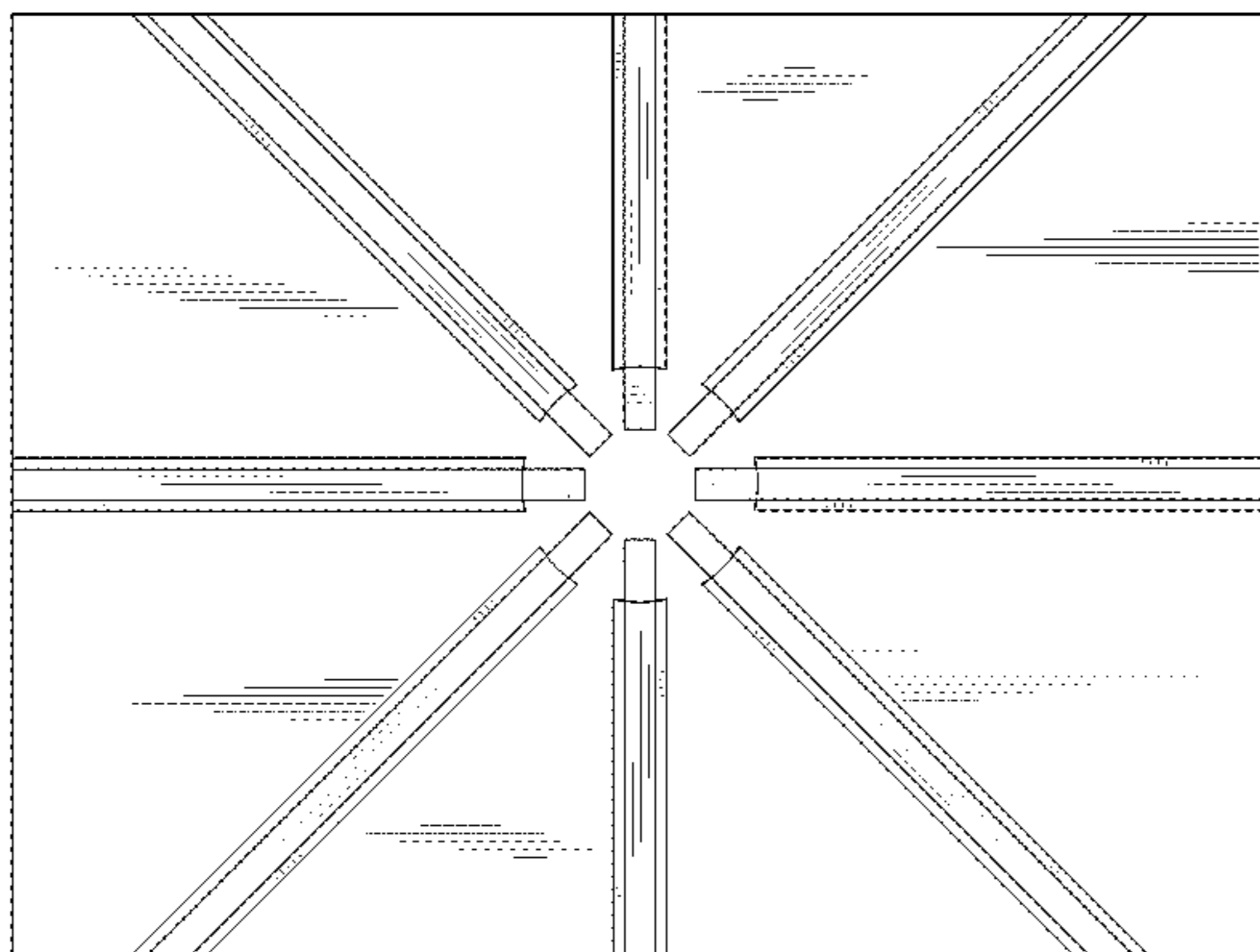
FIG. 1 is a front view of an abdominal dressing showing our new design;
FIG. 2 is a first side view taken along the longest side thereof with the opposite side being identical;
FIG. 3 is a second side view taken along the shorter side with the opposite side being identical;
FIG. 4 is a top-front-right perspective view of FIG. 1;
FIG. 5 is a top-front-left perspective view of FIG. 1; and
FIG. 6 is a bottom view thereof.

(56) **References Cited**

U.S. PATENT DOCUMENTS

4,773,408	A *	9/1988	Cilento et al.	602/49
5,437,623	A *	8/1995	McClees et al.	602/59
5,645,081	A	7/1997	Argenta et al.		
5,690,610	A *	11/1997	Ito et al.	602/53

1 Claim, 5 Drawing Sheets



(56)

References Cited

U.S. PATENT DOCUMENTS

7,381,859 B2 6/2008 Hunt et al.
 7,488,864 B2 * 2/2009 Sigurjonsson et al. 602/46
 7,722,582 B2 5/2010 Lina et al.
 7,732,655 B2 6/2010 Cullen et al.
 7,763,769 B2 7/2010 Johnson et al.
 7,772,454 B2 8/2010 Addison et al.
 7,951,100 B2 5/2011 Hunt et al.
 7,976,519 B2 7/2011 Bubb et al.
 8,058,499 B2 11/2011 Silcock et al.
 8,084,663 B2 12/2011 Watson, Jr.
 8,084,664 B2 12/2011 Johnson et al.
 8,097,272 B2 1/2012 Addison
 8,187,210 B2 5/2012 Hunt et al.
 8,246,592 B2 8/2012 Lockwood et al.
 8,350,116 B2 1/2013 Lockwood et al.
 8,409,156 B2 4/2013 Kazala, Jr. et al.
 8,444,611 B2 5/2013 Wilkes et al.
 8,460,257 B2 6/2013 Locke et al.
 D701,609 S * 3/2014 Traboulsi et al. D24/189
 8,710,290 B2 * 4/2014 Boehringer et al. 602/43
 8,721,629 B2 * 5/2014 Hardman et al. 604/543
 8,926,574 B2 * 1/2015 Croizat et al. 604/313
 2001/0025166 A1 * 9/2001 Campbell 604/397
 2003/0203015 A1 * 10/2003 Aledo et al. 424/445
 2004/0162512 A1 * 8/2004 Liedtke et al. 602/59
 2006/0142687 A1 * 6/2006 Liedtke et al. 602/58
 2011/0027344 A1 * 2/2011 Lee et al. 424/445
 2011/0224631 A1 9/2011 Simmons et al.
 2012/0136326 A1 * 5/2012 Croizat et al. 604/319
 2012/0220963 A1 8/2012 Hunt et al.
 2012/0310132 A1 * 12/2012 Hirashima 602/43
 2013/0144230 A1 * 6/2013 Wu et al. 604/319

2013/0245582 A1 * 9/2013 Croizat et al. 604/319
 2014/0228791 A1 * 8/2014 Hartwell 604/319
 2014/0303541 A1 * 10/2014 Vachon 602/48

FOREIGN PATENT DOCUMENTS

WO 2005009488 A2 2/2005
 WO 2009158129 A1 12/2009
 WO 2009158131 A1 12/2009
 WO 2010033574 A1 3/2010
 WO 2010033613 A1 3/2010
 WO 2010053870 A1 5/2010
 WO 2010120776 A1 10/2010
 WO 2010128281 A2 11/2010
 WO 2010142959 A2 12/2010
 WO 2011112724 A1 9/2011
 WO 2011127188 A2 10/2011
 WO 2012028842 A1 3/2012
 WO 2012078556 A2 6/2012
 WO 2012104584 A1 8/2012
 WO 2012149242 A1 11/2012
 WO 2013019438 A1 2/2013
 WO 2013022498 A1 2/2013
 WO 2013071243 A2 5/2013
 WO 2013071253 A1 5/2013
 WO 2013074825 A1 5/2013
 WO 2013116552 A1 8/2013

OTHER PUBLICATIONS

KCI Abdominal Dressing <http://www.kci1.com/KCI1/vac-abdominal-dressing-system> 2 pages; Earliest known publication Oct. 4, 2012.

* cited by examiner

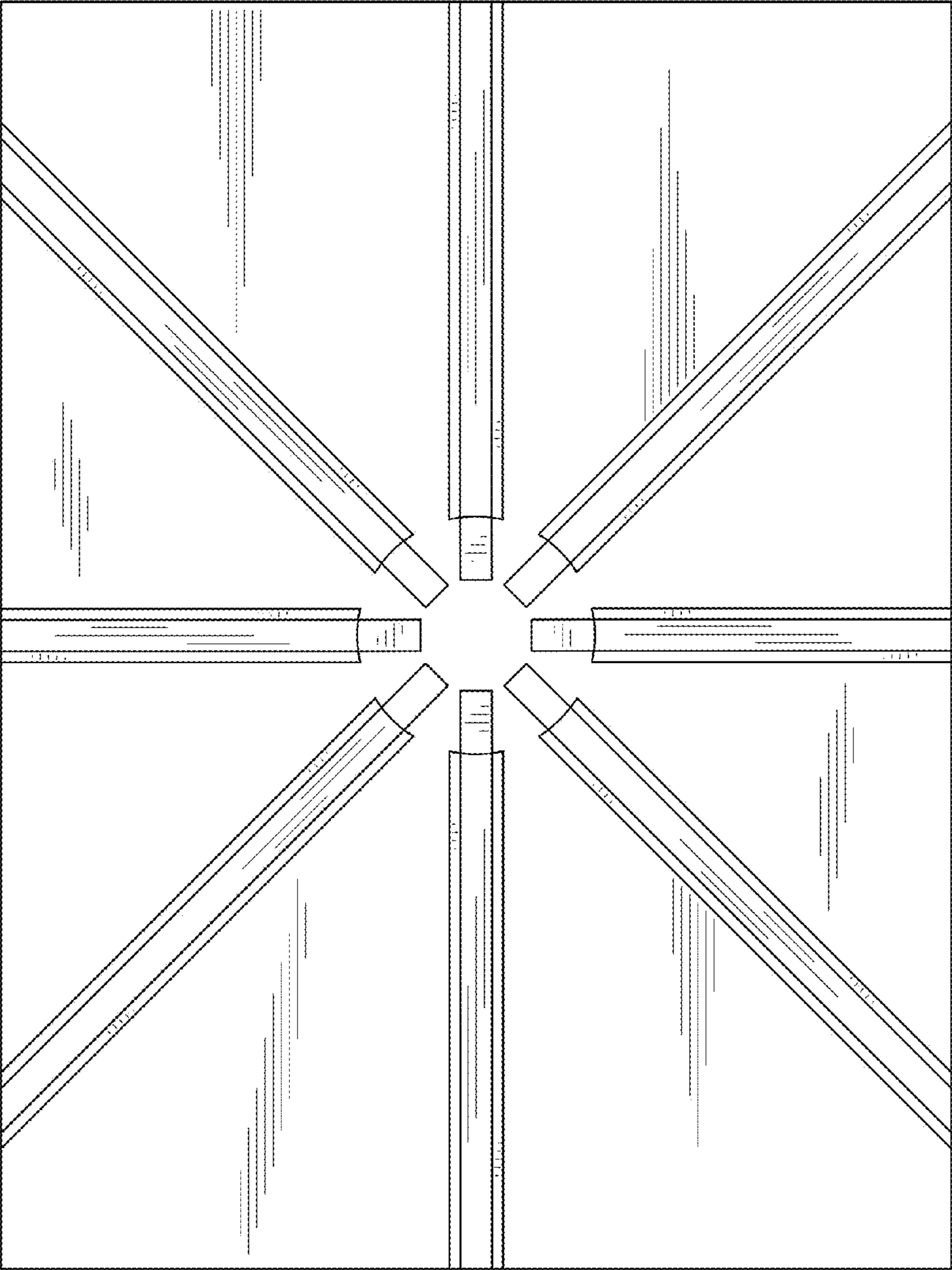


FIG. 1



FIG. 2



FIG. 3

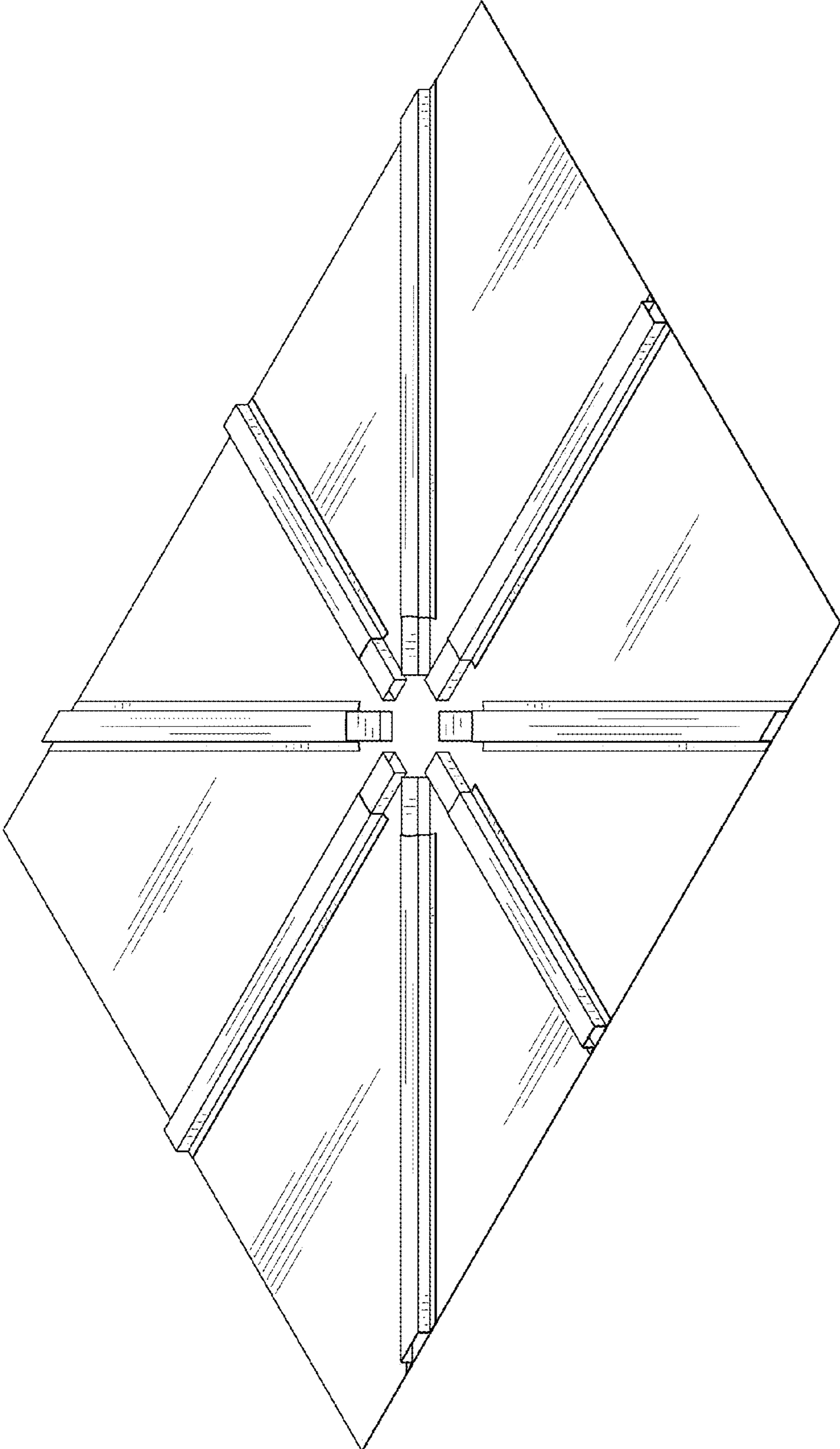


FIG. 4

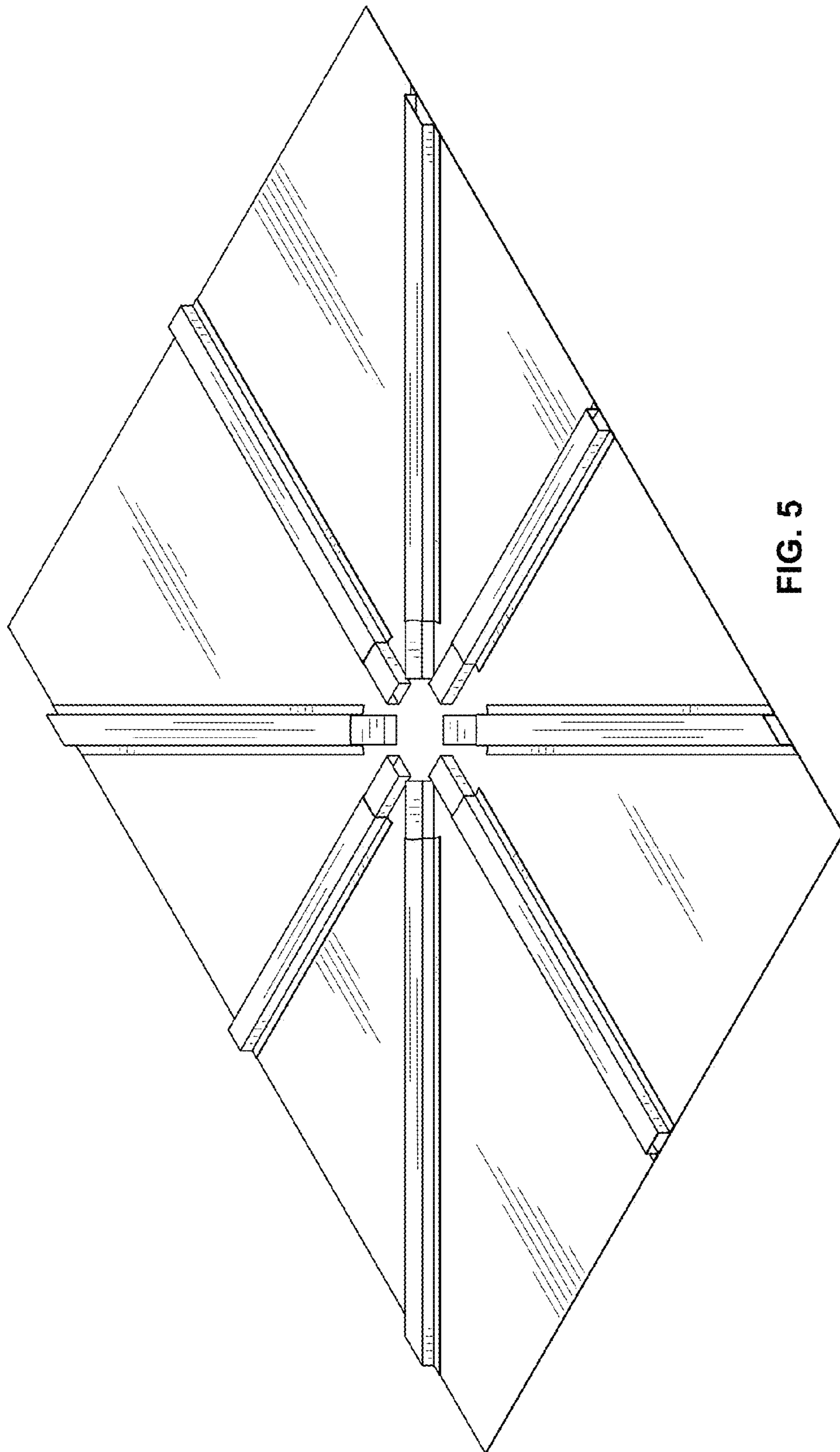


FIG. 5

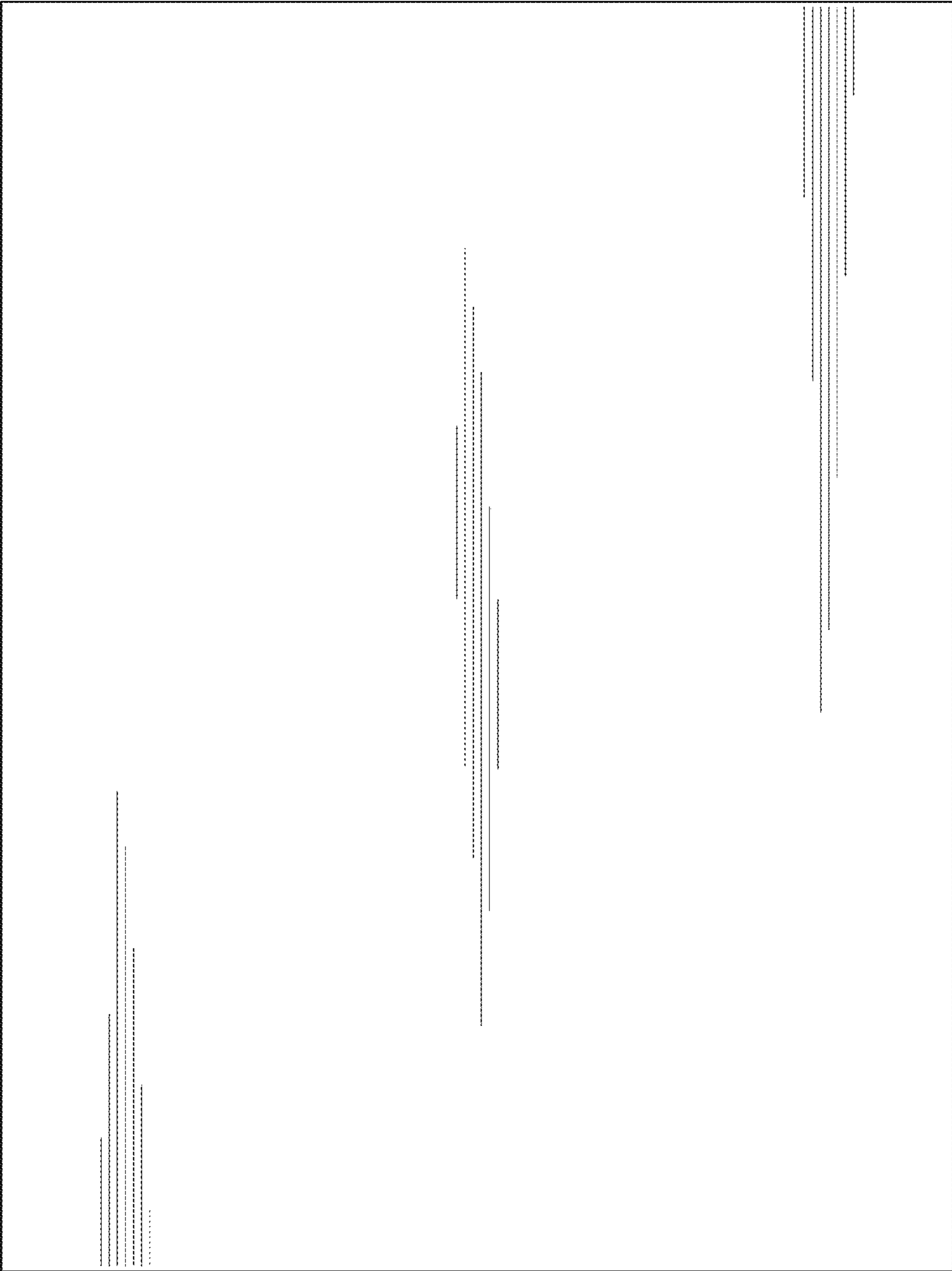


FIG. 6