



US00D733892S

(12) **United States Design Patent**  
**Fries et al.**

(10) **Patent No.:** **US D733,892 S**  
(45) **Date of Patent:** **\*\* Jul. 7, 2015**

(54) **PHYSIOLOGICAL MONITOR HAVING A  
REMOVABLE MODULE**

D711,003 S \* 8/2014 Chen et al. .... D24/186  
D711,004 S \* 8/2014 Chen et al. .... D24/186  
2008/0013262 A1\* 1/2008 Stanford et al. .... 361/680

(75) Inventors: **Timothy Fries**, Louisville, CO (US);  
**John Andrew Battista**, Lafayette, CO  
(US)

**OTHER PUBLICATIONS**

“High-Intensity Performance IntelliVue MP90 Patient Monitor” 8  
Pages, © 2010 Koninklijke Philips Electronics N.V.

(73) Assignee: **Covidien LP**, Mansfield, MA (US)

\* cited by examiner

(\*\*) Term: **14 Years**

*Primary Examiner* — T. Chase Nelson

(21) Appl. No.: **29/426,067**

*Assistant Examiner* — Mark Cavanna

(22) Filed: **Jun. 29, 2012**

(74) *Attorney, Agent, or Firm* — Shvarts & Leiz LLP

(51) **LOC (10) Cl.** ..... **24-02**

(52) **U.S. Cl.**  
USPC ..... **D24/186**

(58) **Field of Classification Search**  
USPC ..... D24/164, 167–169, 185–186, 160;  
600/301, 481, 483–485, 509, 513, 519,  
600/544, 529; 128/900; 361/680; D14/381,  
D14/126, 371

(57) **CLAIM**

The ornamental design for a physiological monitor having a  
removable module, as shown and described.

See application file for complete search history.

**DESCRIPTION**

(56) **References Cited**

FIG. 1 is a front view of a physiological monitor having a  
removable module shown with the removable module  
installed showing our new design;

**U.S. PATENT DOCUMENTS**

D393,072 S *	3/1998	Rogler	.....	D24/186
D395,513 S *	6/1998	Rogler	.....	D24/186
D549,831 S *	8/2007	Ward et al.	.....	D24/186
D552,741 S *	10/2007	Zhou et al.	.....	D24/186
D592,754 S *	5/2009	Koike et al.	.....	D24/186
D600,814 S *	9/2009	Lathrop et al.	.....	D24/186
D621,511 S *	8/2010	Lathrop et al.	.....	D24/167
D624,654 S *	9/2010	Shimizu	.....	D24/186
D649,645 S *	11/2011	Barker et al.	.....	D24/186
D671,222 S *	11/2012	Edwards et al.	.....	D24/186
D697,214 S *	1/2014	Rosenfeldt et al.	.....	D24/186
D706,239 S *	6/2014	Chen et al.	.....	D14/186

FIG. 2 is a side view thereof;

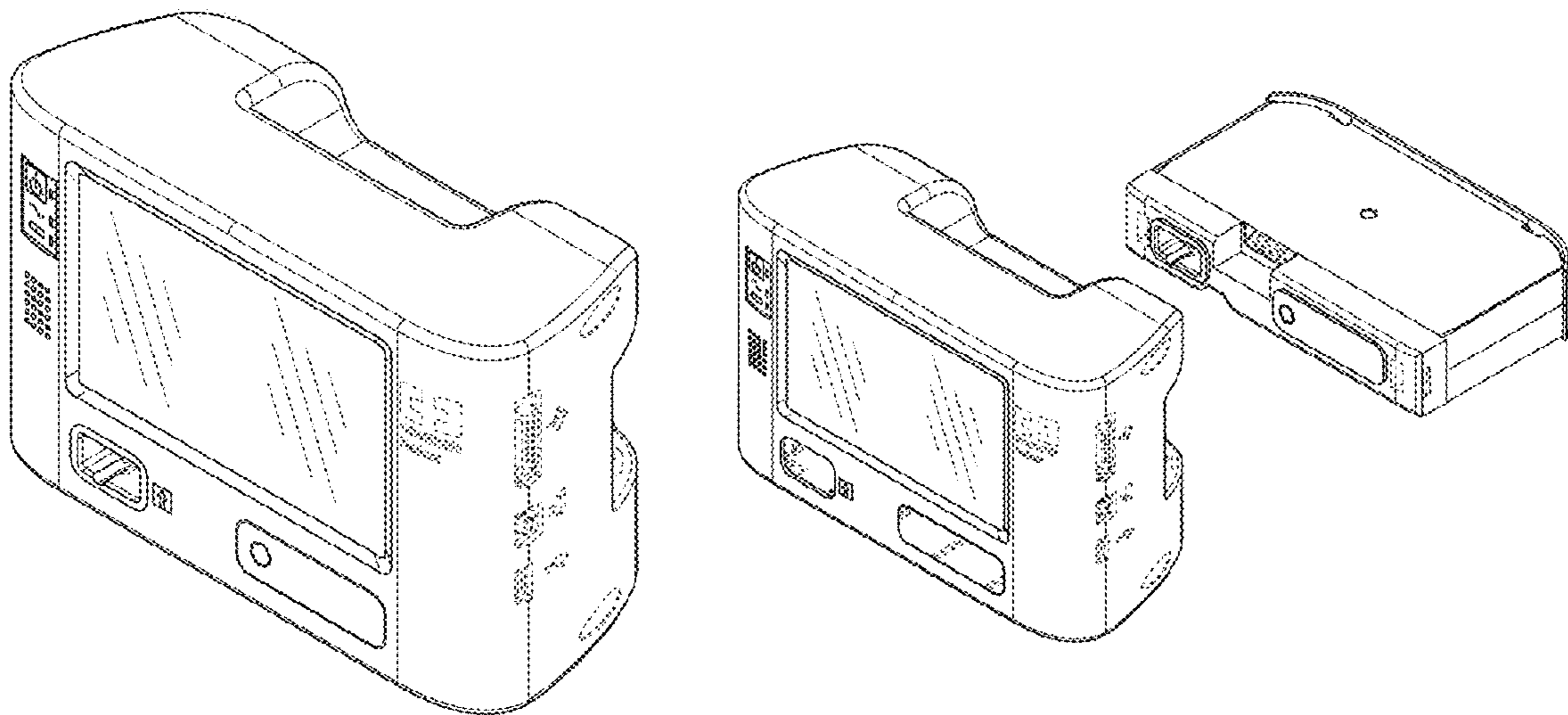
FIG. 3 is a bottom view thereof;

FIG. 4 is a perspective view thereof; and,

FIG. 5 is an exploded perspective view of the physiological  
monitor having a removable module shown with the remov-  
able module removed.

It will be understood that the broken lines are included for the  
purpose of illustrating unclaimed portions of the physiologi-  
cal monitor having a removable module and form no part of  
the claimed design.

**1 Claim, 3 Drawing Sheets**



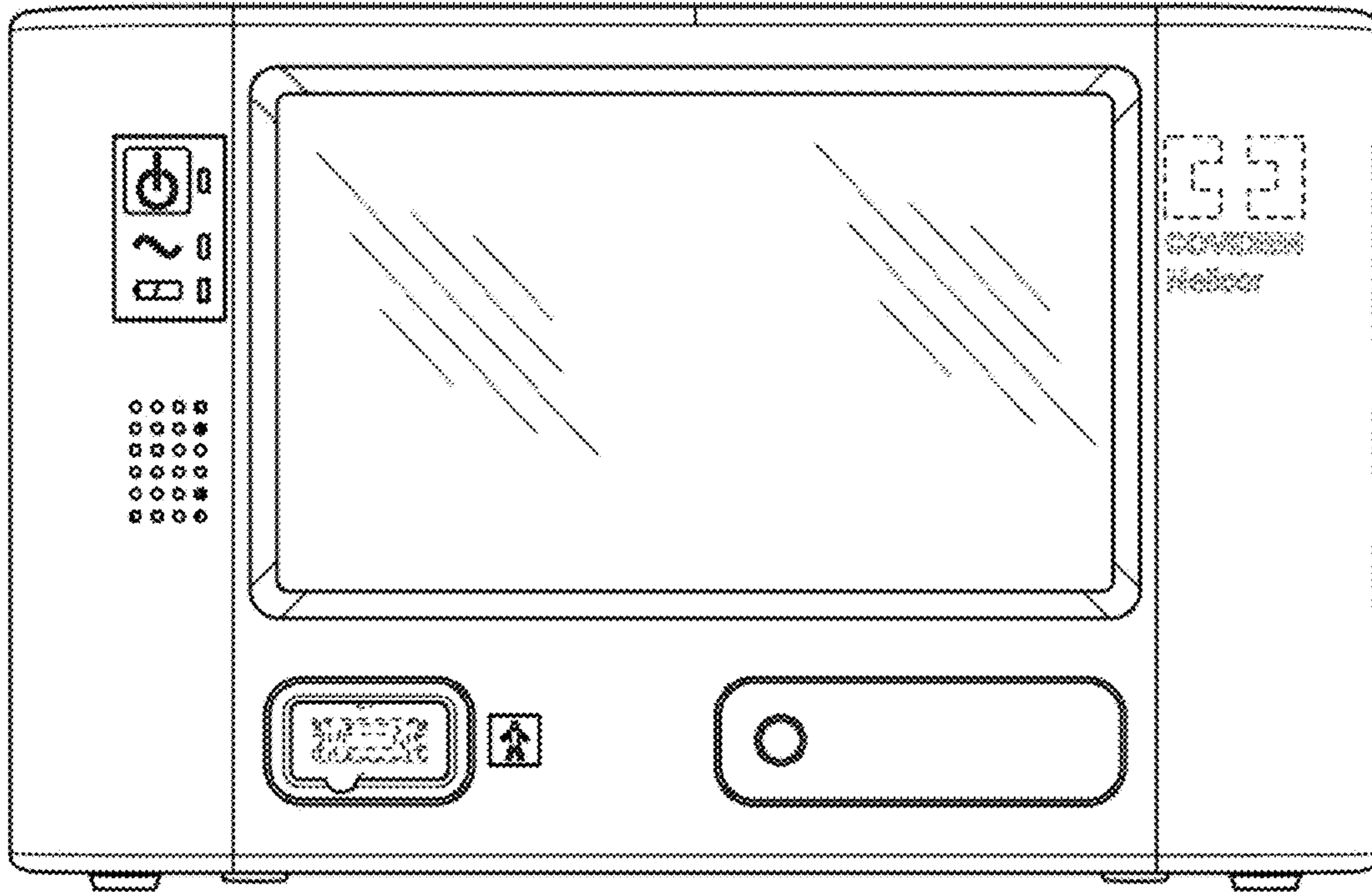


FIG. 1

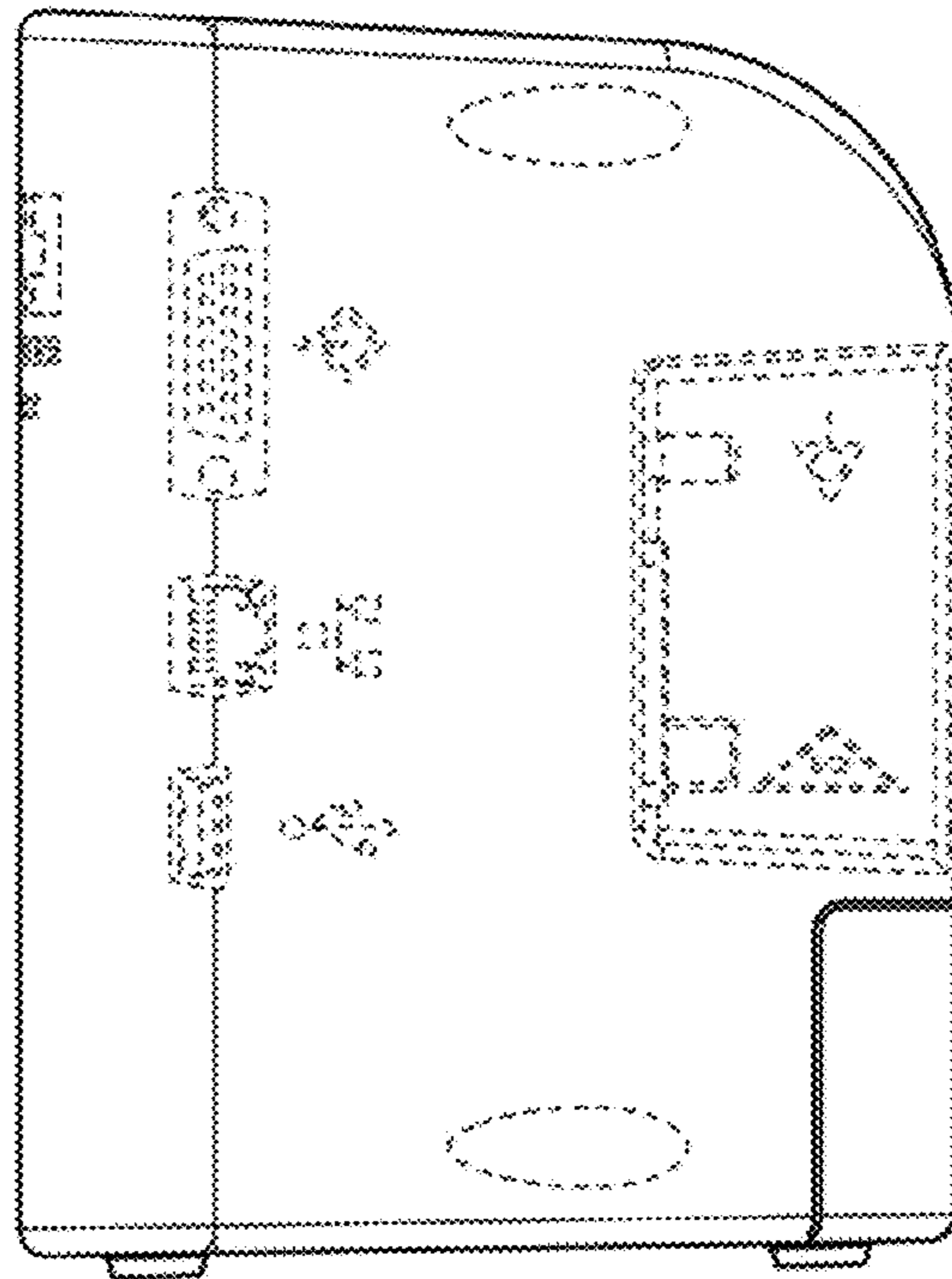


FIG. 2

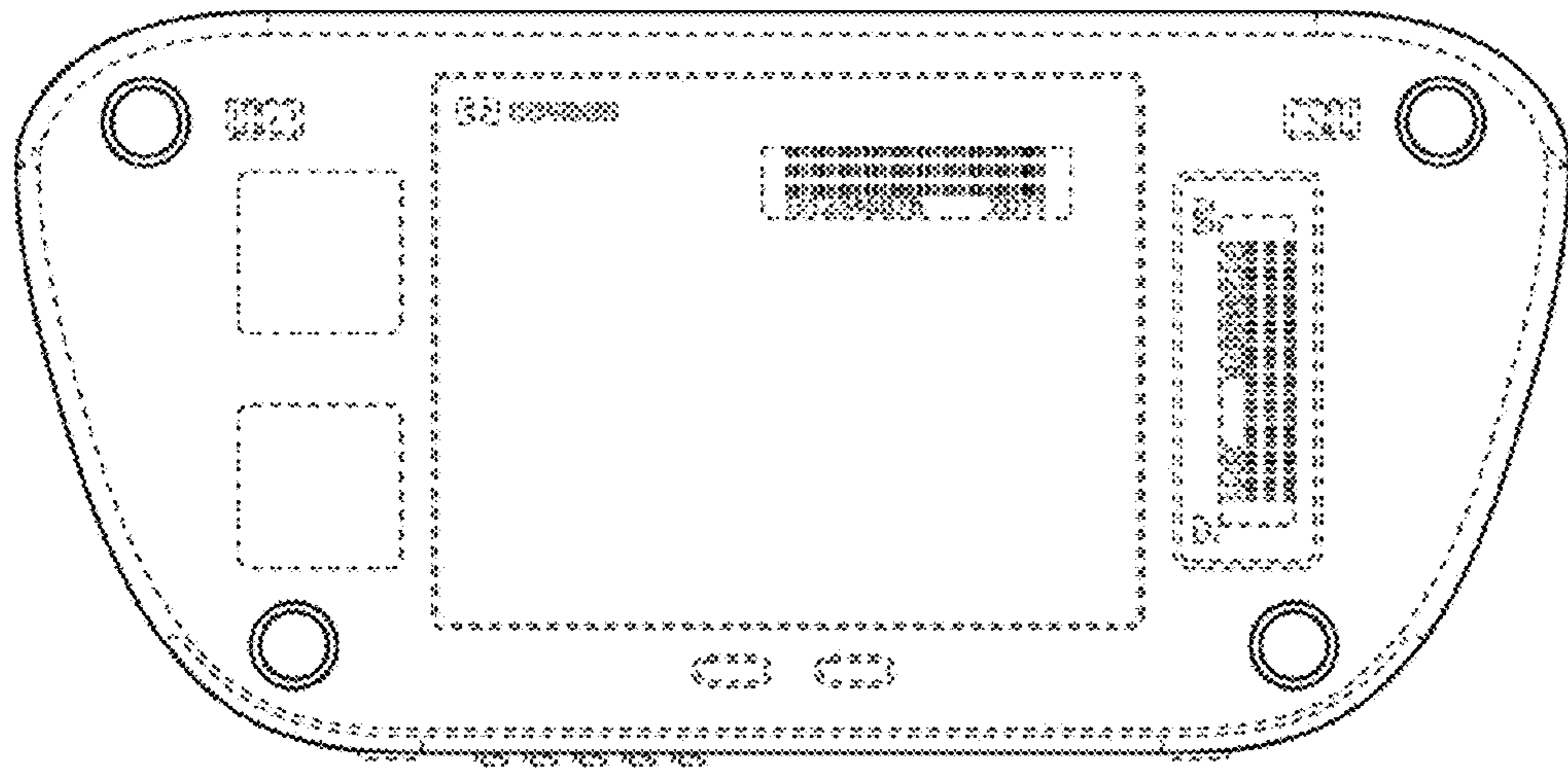


FIG. 3

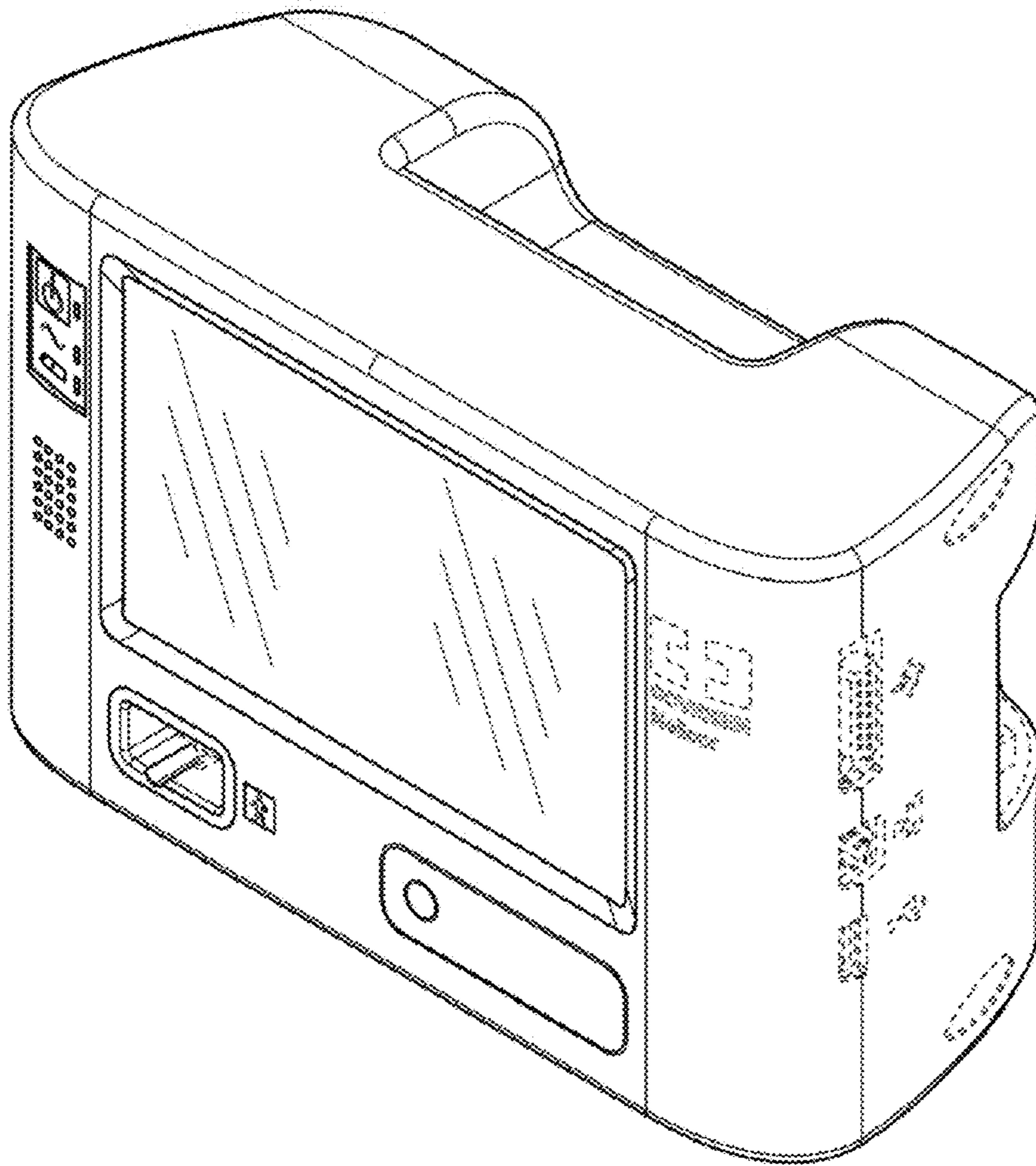


FIG. 4

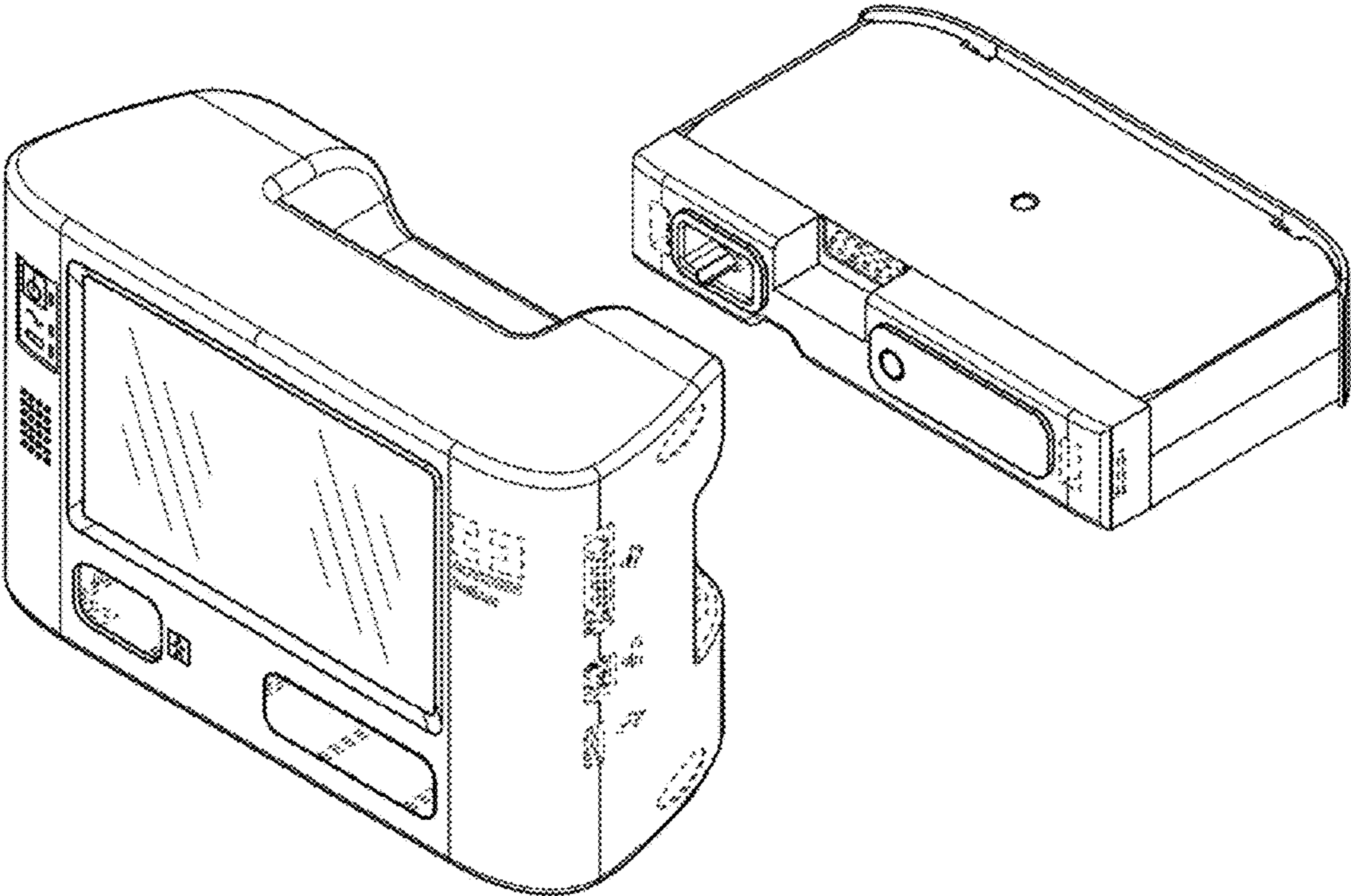


FIG. 5