



US00D733891S

(12) **United States Design Patent**  
**Murray**

(10) **Patent No.:** **US D733,891 S**  
(45) **Date of Patent:** **\*\* Jul. 7, 2015**

- (54) **MODULAR LIPO TOWER**
  - (71) Applicant: **Jeffery Glenn Murray**, Spring, TX (US)
  - (72) Inventor: **Jeffery Glenn Murray**, Spring, TX (US)
  - (\*\*) Term: **14 Years**
  - (21) Appl. No.: **29/485,358**
  - (22) Filed: **Mar. 18, 2014**
  - (51) **LOC (10) Cl.** ..... **24-00**
  - (52) **U.S. Cl.**  
USPC ..... **D24/185**
  - (58) **Field of Classification Search**  
USPC ..... D24/185, 128, 122, 159, 177, 183, 186,  
D24/216, 228, 234, 158; D6/708.24, 417,  
D6/431; 248/229.26, 129, 125.9, 158,  
248/125.8, 125.1, 125.7; 280/47.35, 47.34;  
482/68; D34/24
- See application file for complete search history.

6,056,249	A *	5/2000	Fillon, Jr. ....	248/125.7
D436,167	S *	1/2001	Ebert .....	D24/128
D468,014	S *	12/2002	Girod .....	D24/128
D523,203	S *	6/2006	Pertuset .....	D34/24
7,490,837	B2 *	2/2009	Pond et al. ....	280/47.35
7,896,298	B2 *	3/2011	Meyers et al. ....	248/125.8
D635,663	S *	4/2011	Sung et al. ....	D24/128
7,935,030	B1 *	5/2011	Nesbitt .....	482/68
D642,402	S *	8/2011	Rickard .....	D6/417
8,292,310	B2 *	10/2012	Turner .....	280/47.35
8,313,067	B2 *	11/2012	Knieriem et al. ....	248/129
D699,852	S *	2/2014	Chung et al. ....	D24/158
D703,329	S *	4/2014	Worcester .....	D24/185

\* cited by examiner

*Primary Examiner* — Holly Baynham  
*Assistant Examiner* — Rhea Shields

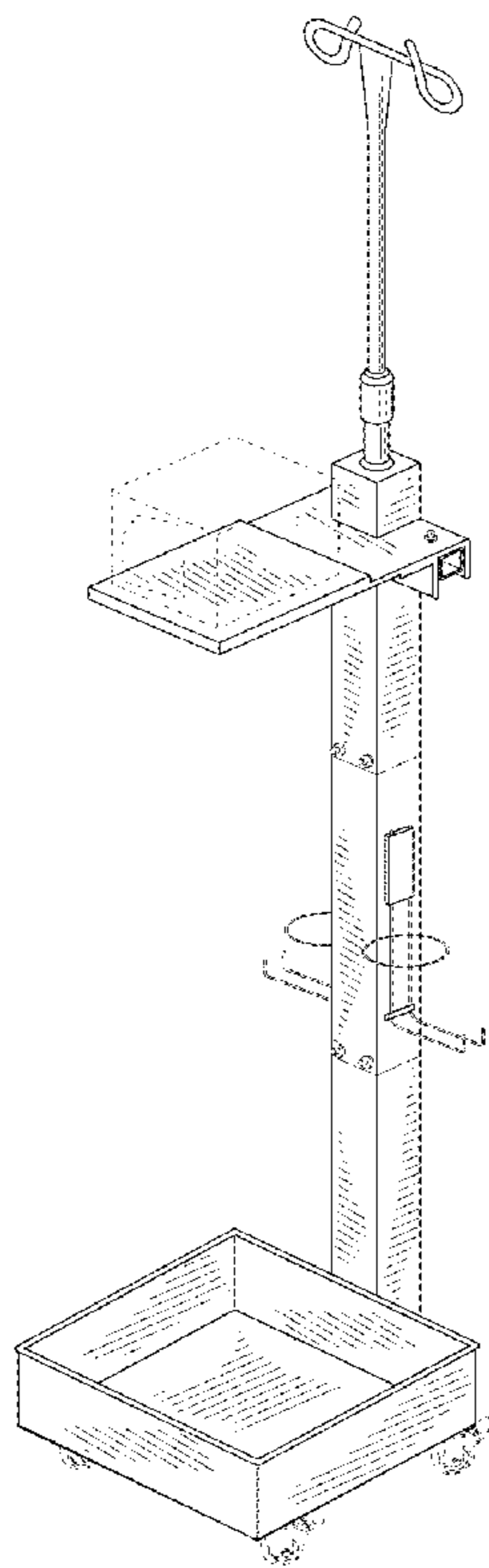
(57) **CLAIM**  
The ornamental design for a modular lipo tower, as shown and described.

**DESCRIPTION**

FIG. 1 is a perspective view of a modular lipo tower; FIG. 2 is a front view of the modular lipo tower of FIG. 1; FIG. 3 is a rear view of the modular lipo tower of FIG. 1; FIG. 4 is a right side view of the modular lipo tower of FIG. 1; FIG. 5 is a left side view of the modular lipo tower of FIG. 1; FIG. 6 is a top view of the modular lipo tower of FIG. 1; and, FIG. 7 is a bottom view of the modular lipo tower of FIG. 1. In the drawings, the broken lines depict unclaimed subject matter only and form no part of the claimed design.

**1 Claim, 3 Drawing Sheets**

- (56) **References Cited**  
U.S. PATENT DOCUMENTS
- |           |     |         |                           |           |
|-----------|-----|---------|---------------------------|-----------|
| D252,300  | S * | 7/1979  | Pryor .....               | D6/431    |
| D260,816  | S * | 9/1981  | Zissimopoulos et al. .... | D24/128   |
| D281,453  | S * | 11/1985 | DiGianfilippo et al. .... | D24/128   |
| D308,725  | S * | 6/1990  | Kraus .....               | D24/128   |
| D310,570  | S * | 9/1990  | Wells .....               | D24/128   |
| 5,125,607 | A * | 6/1992  | Pryor .....               | 248/125.1 |
| 5,135,191 | A * | 8/1992  | Schmuhl .....             | 248/125.1 |
| D419,674  | S * | 1/2000  | Schattner .....           | D24/128   |



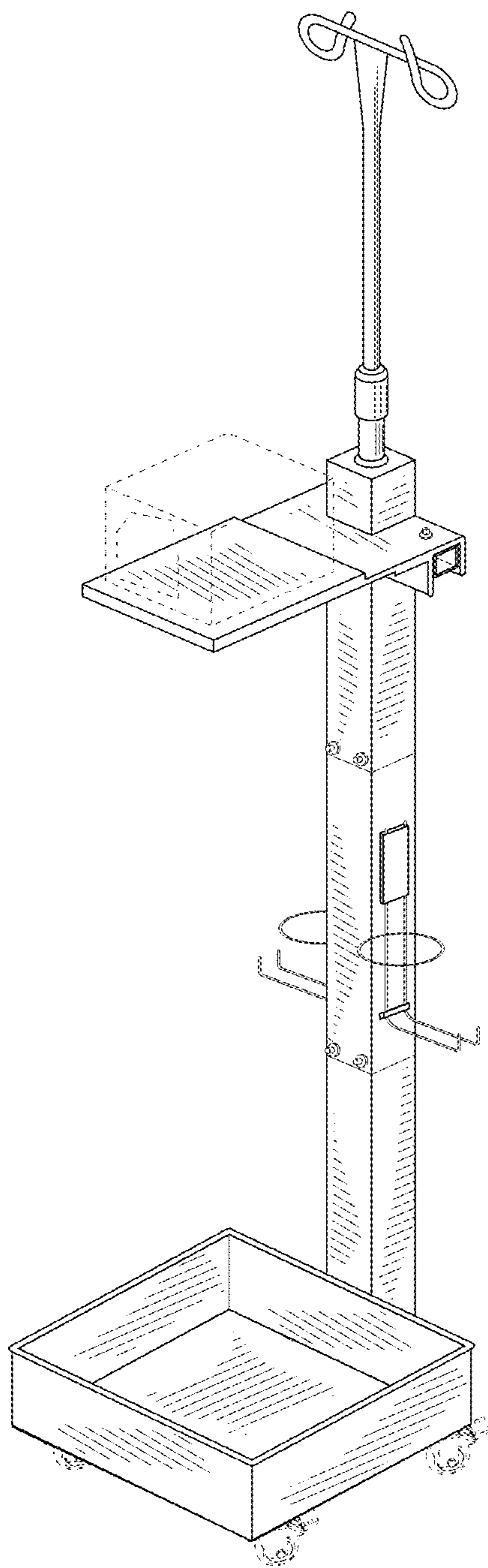


FIG. 1

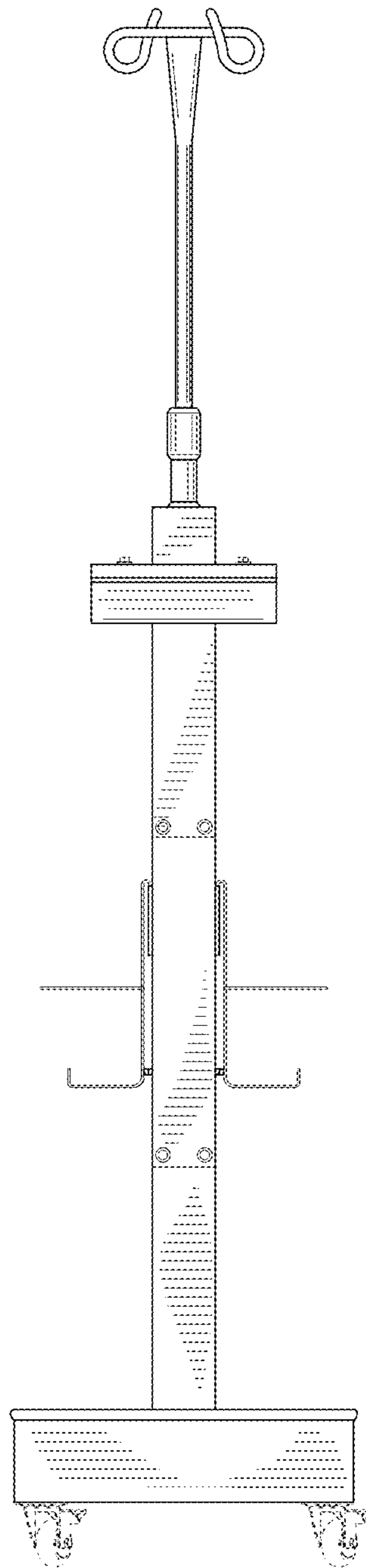


FIG. 2

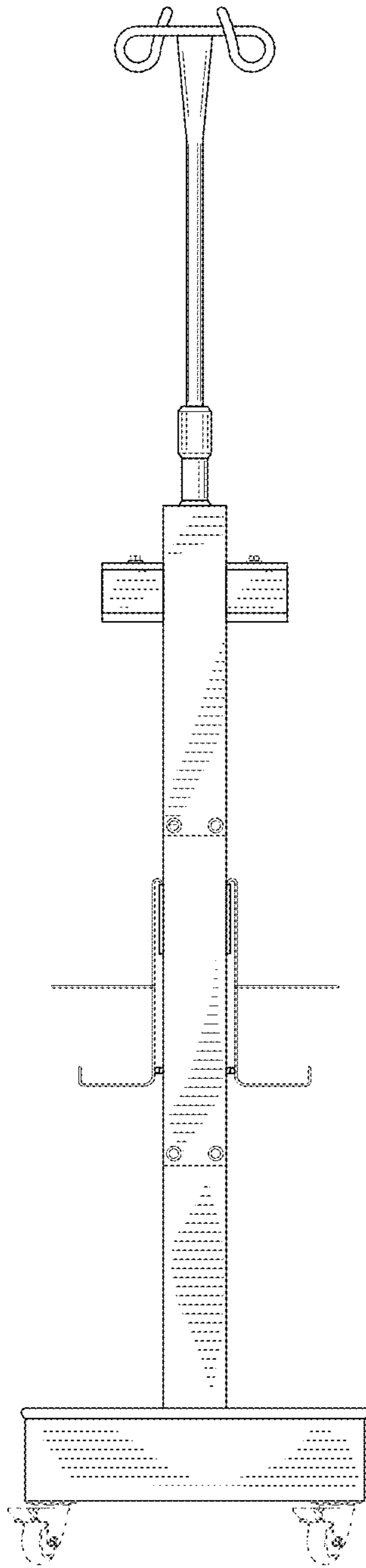


FIG. 3

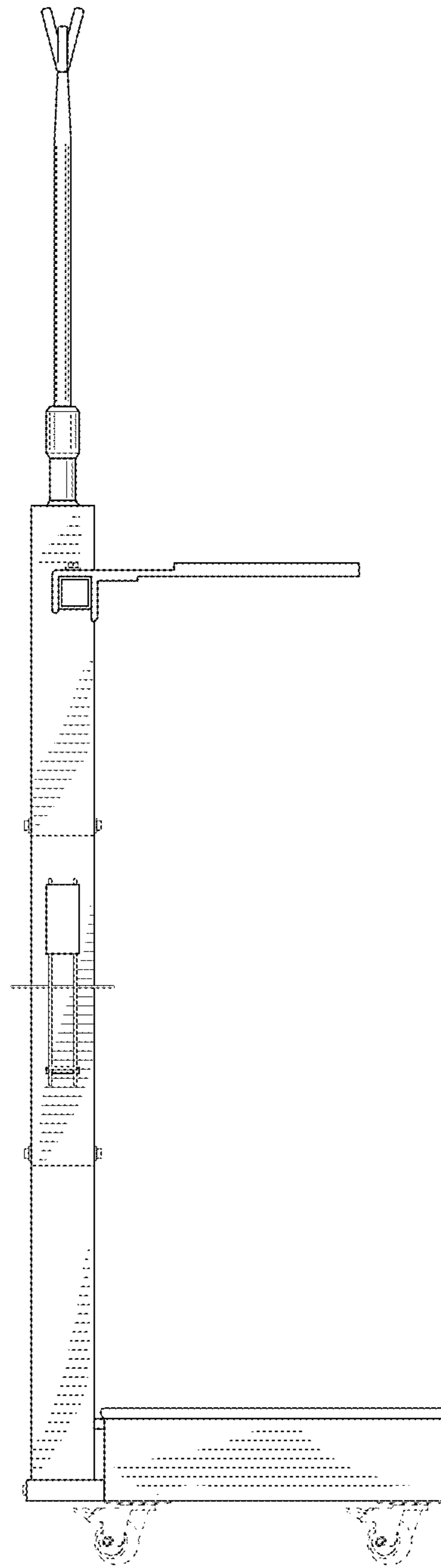


FIG. 4

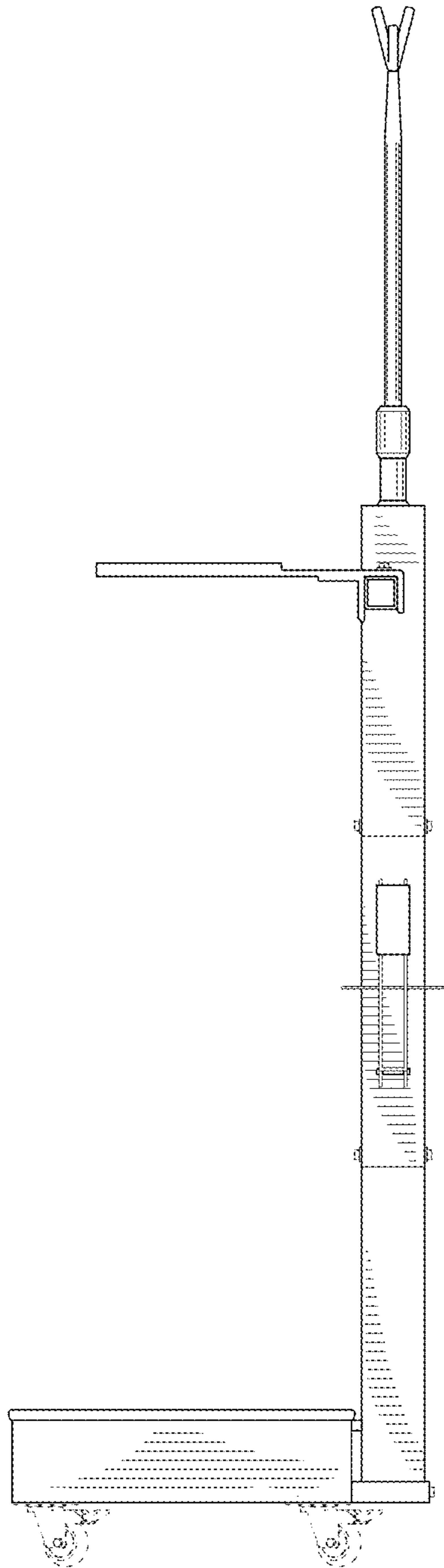


FIG. 5

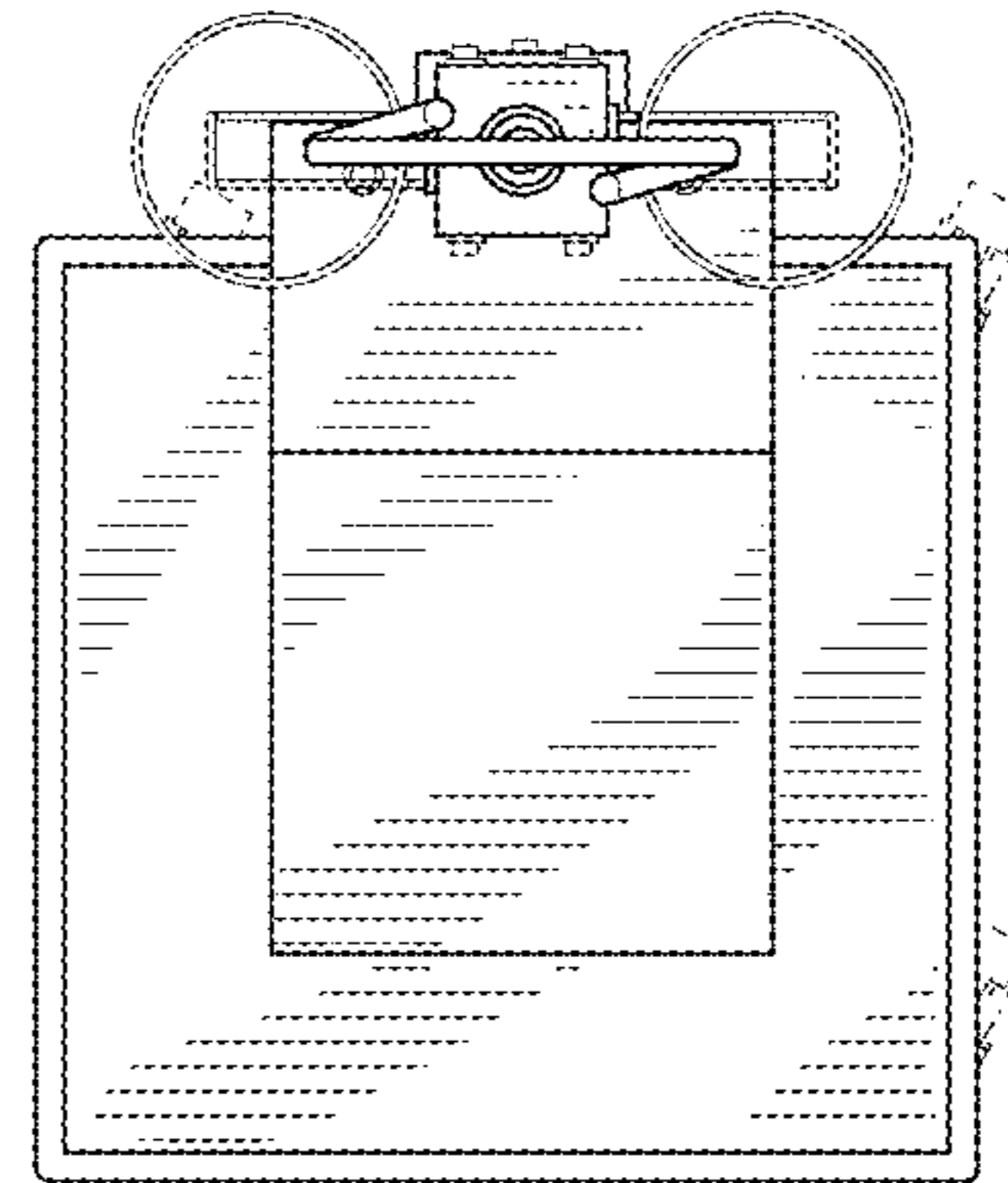


FIG. 6

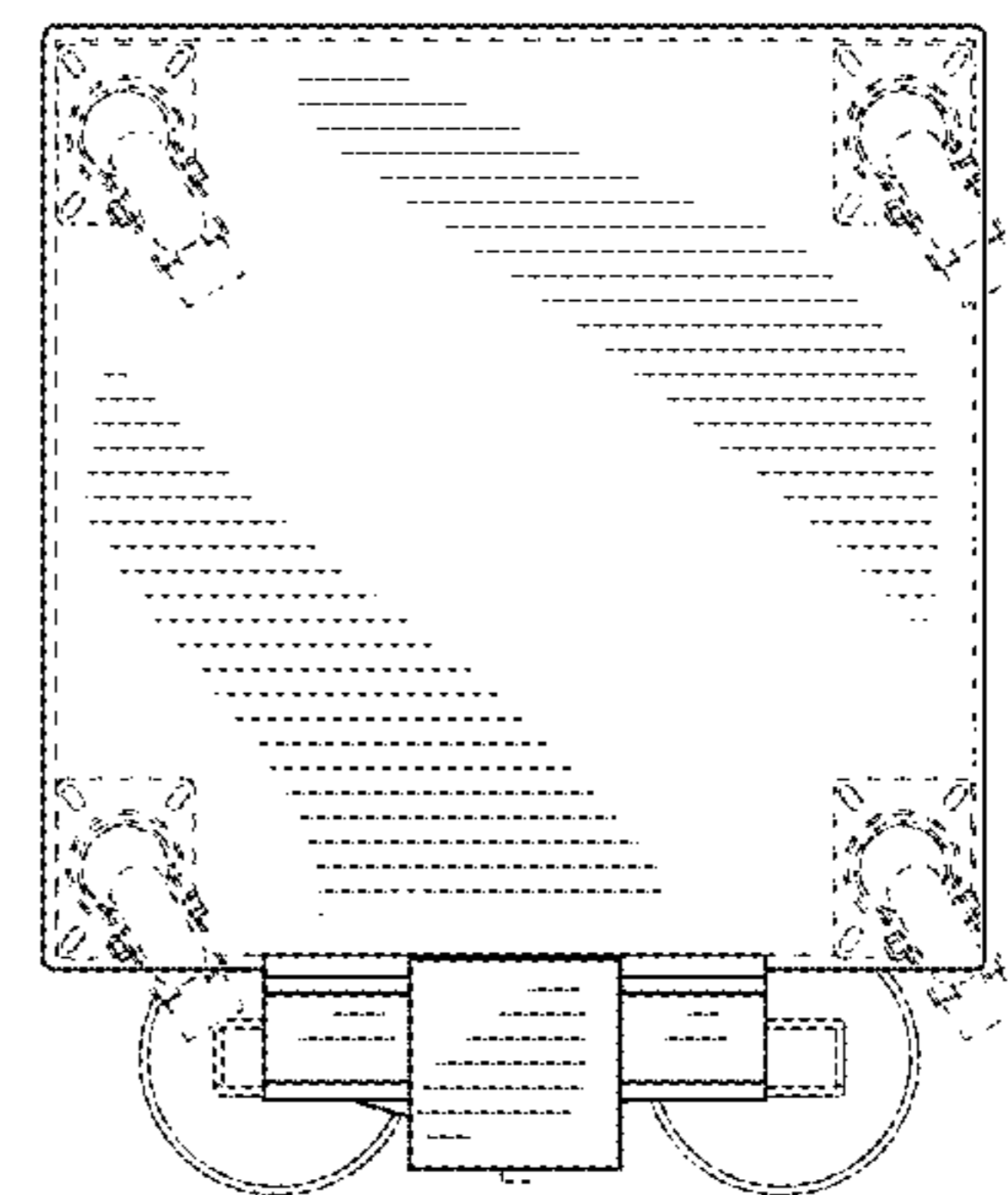


FIG. 7