

US00D733888S

(12) **United States Design Patent**
Tuhkanen

(10) **Patent No.:** **US D733,888 S**
(45) **Date of Patent:** **** Jul. 7, 2015**

(54) **MEASURING APPARATUS**

(71) Applicant: **HEALTH CARE SUCCESS OY LTD.**,
Helsinki (FI)

(72) Inventor: **Petri Tuhkanen**, Helsinki (FI)

(73) Assignee: **HEALTH CARE SUCCESS OY LTD.**,
Helsinki (FI)

(**) Term: **14 Years**

(21) Appl. No.: **29/459,988**

(22) Filed: **Jul. 5, 2013**

(30) **Foreign Application Priority Data**

Jan. 4, 2013 (EM) 002161711-0001

(51) **LOC (10) CL.** **24-01**

(52) **U.S. CL.**
USPC **D24/167**

(58) **Field of Classification Search**
USPC D10/46; D24/167, 168
CPC A61B 5/0006; A61B 5/02438; A61B
5/6831; A61B 5/0408; A61B 5/0488; A63B
71/0622; A63B 71/0686; A63B 2024/0068;
A63B 2071/0625; A63B 2071/0661; A63B
2220/12; A63B 2220/13; A63B 2220/17;
A63B 2220/30; A63B 2220/40

See application file for complete search history.

(56) **References Cited**

U.S. PATENT DOCUMENTS

D316,145	S	*	4/1991	Ware	D24/167
D609,813	S	*	2/2010	Molden et al.	D24/167
D718,866	S	*	12/2014	Law	D24/167
2009/0124881	A1	*	5/2009	Rytky	600/388
2009/0221403	A1	*	9/2009	Chan et al.	482/8
2011/0313304	A1	*	12/2011	Karjalainen	600/508
2012/0015778	A1	*	1/2012	Lee et al.	482/8
2013/0172719	A1	*	7/2013	Sakai et al.	600/382

* cited by examiner

Primary Examiner — Antoine D Davis

(74) *Attorney, Agent, or Firm* — Young & Thompson

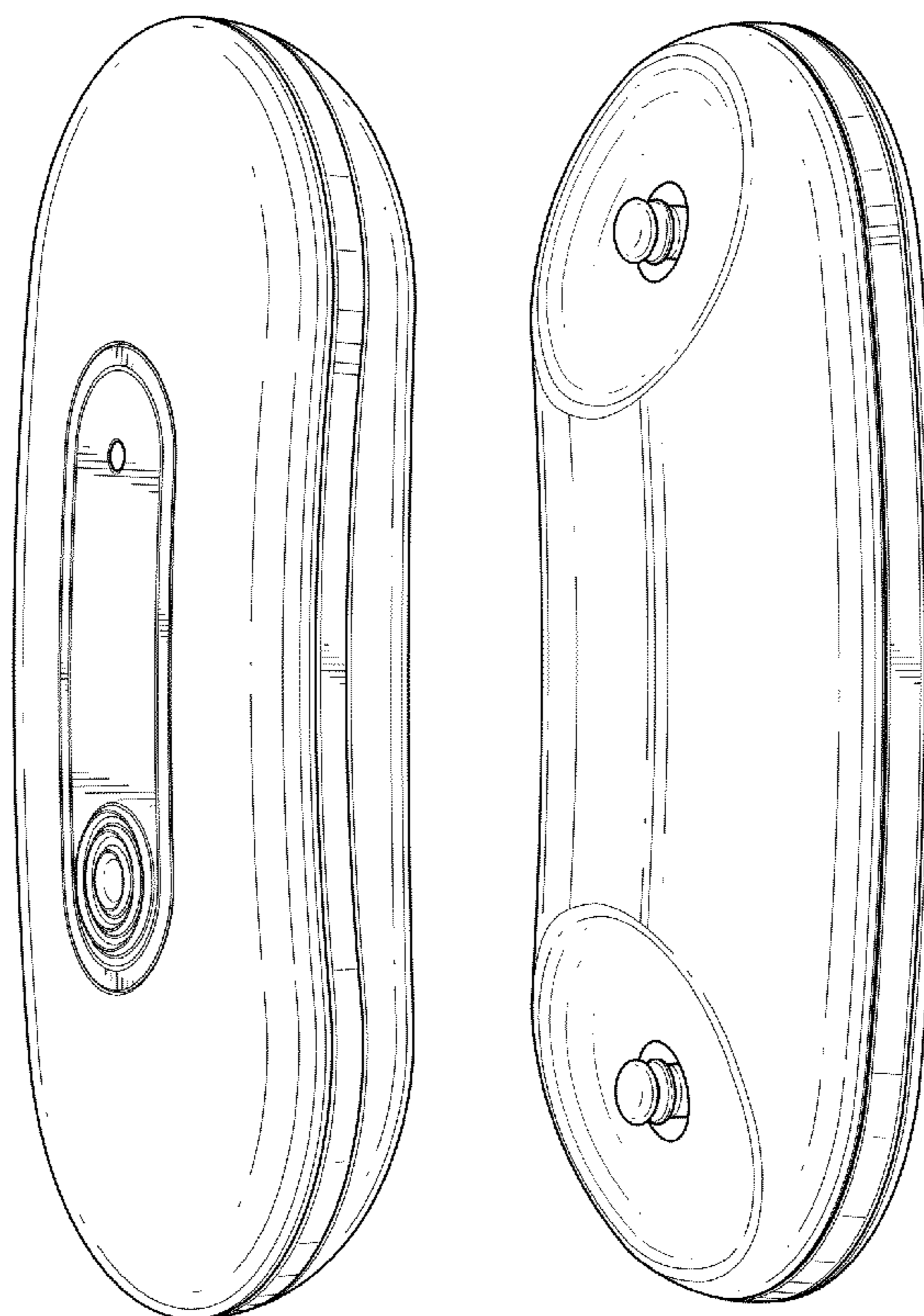
(57) **CLAIM**

The ornamental design for a measuring apparatus, as shown and described.

DESCRIPTION

FIG. 1 is a bottom, rear perspective view of a measuring apparatus showing the new design;
FIG. 2 is a top, front perspective view thereof;
FIG. 3 is a bottom plan view thereof;
FIG. 4 is a top plan view thereof;
FIG. 5 is a left side elevation view thereof;
FIG. 6 is a right side elevation view thereof;
FIG. 7 is a rear elevation view thereof; and,
FIG. 8 is a front elevation view thereof.

1 Claim, 4 Drawing Sheets



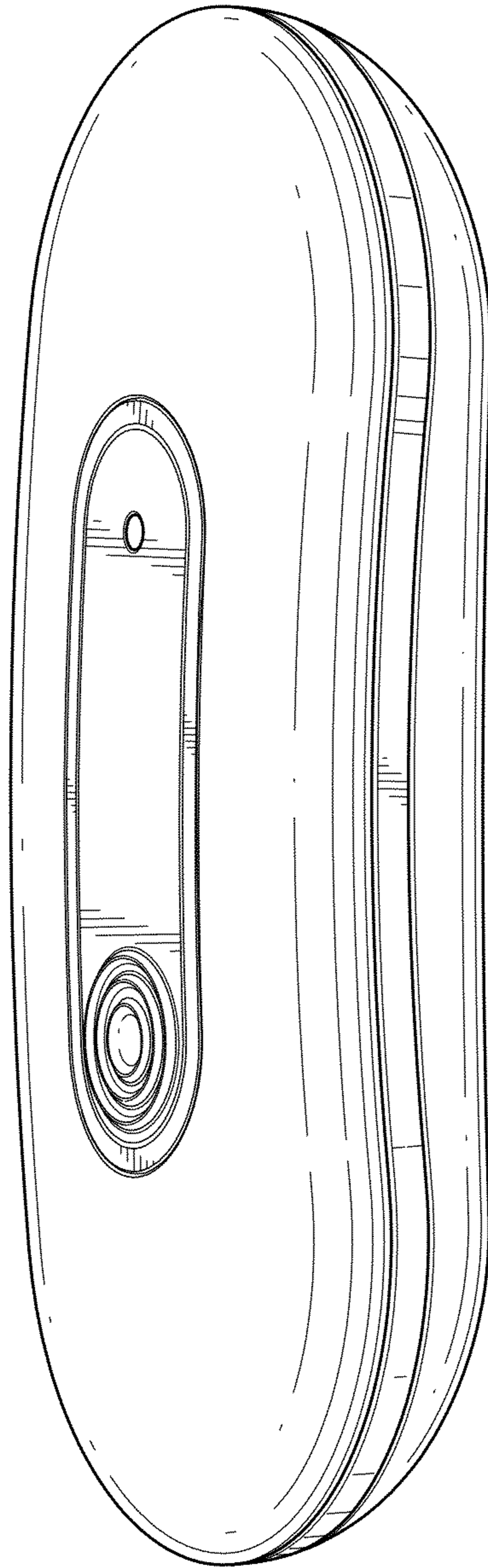


FIG. 1

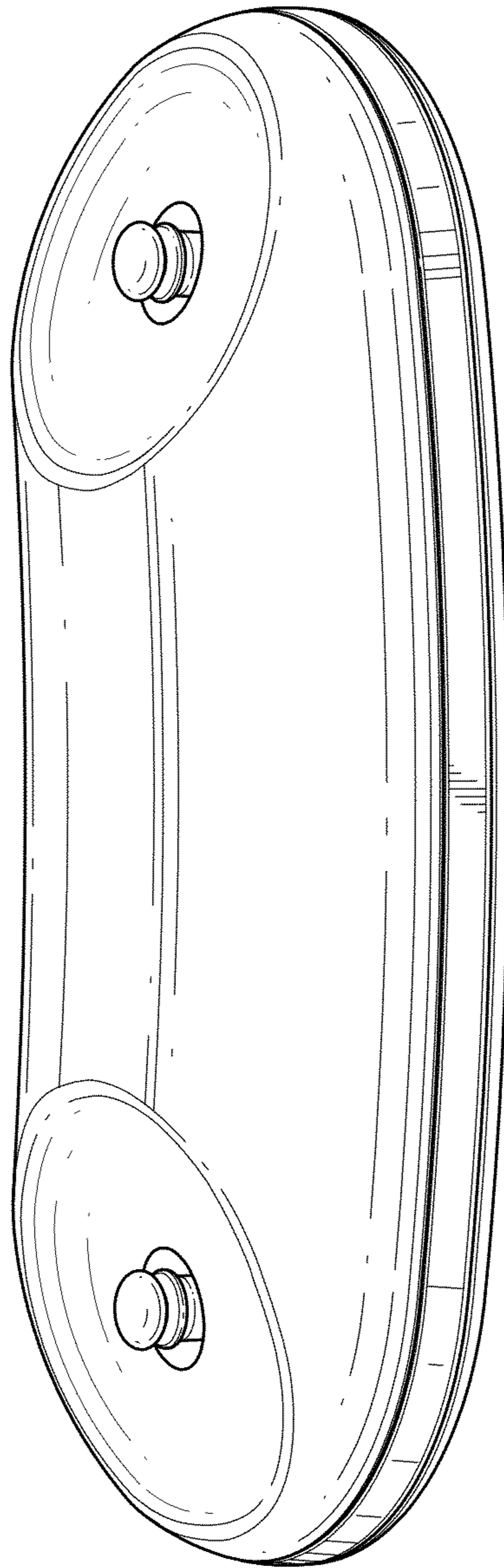


FIG. 2

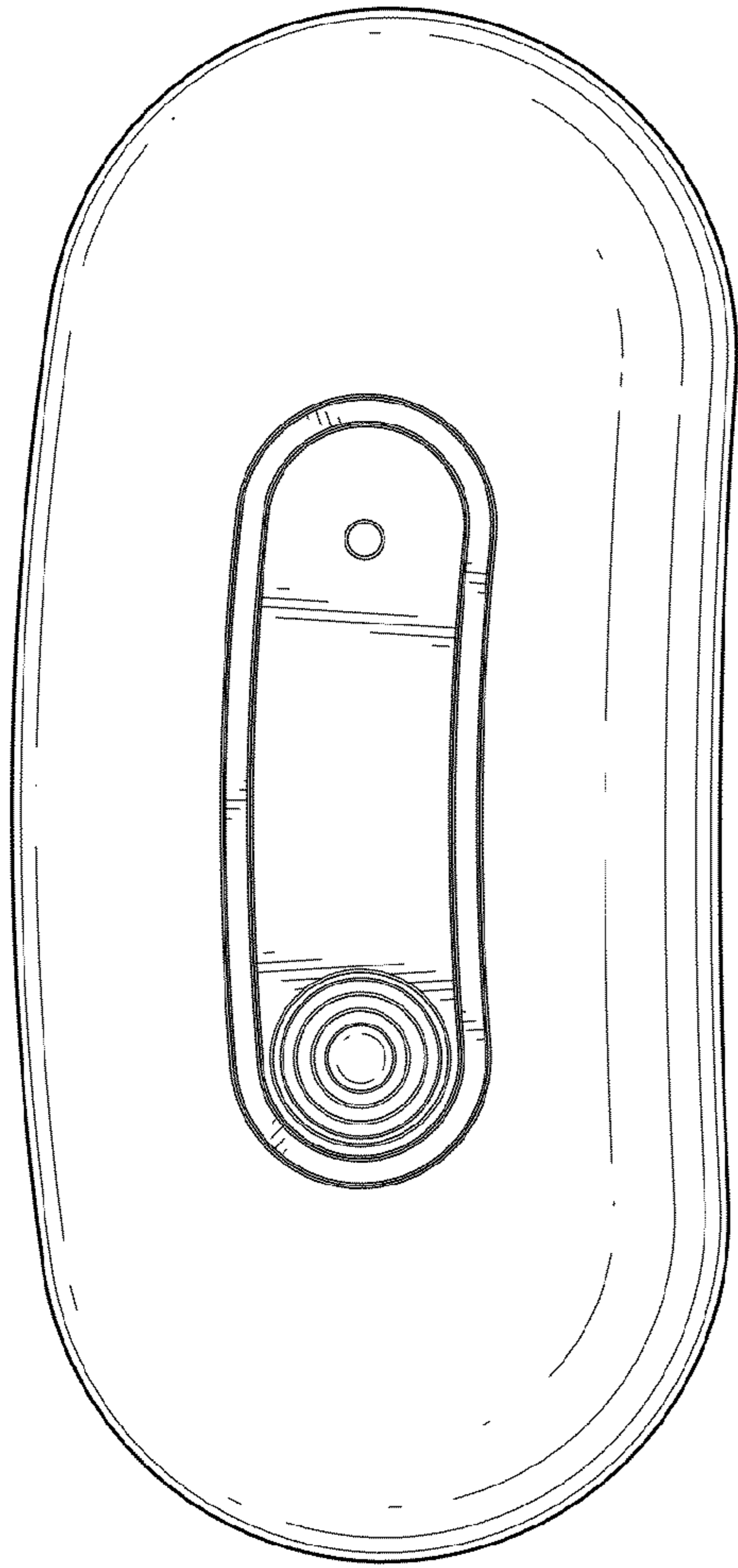


FIG. 3

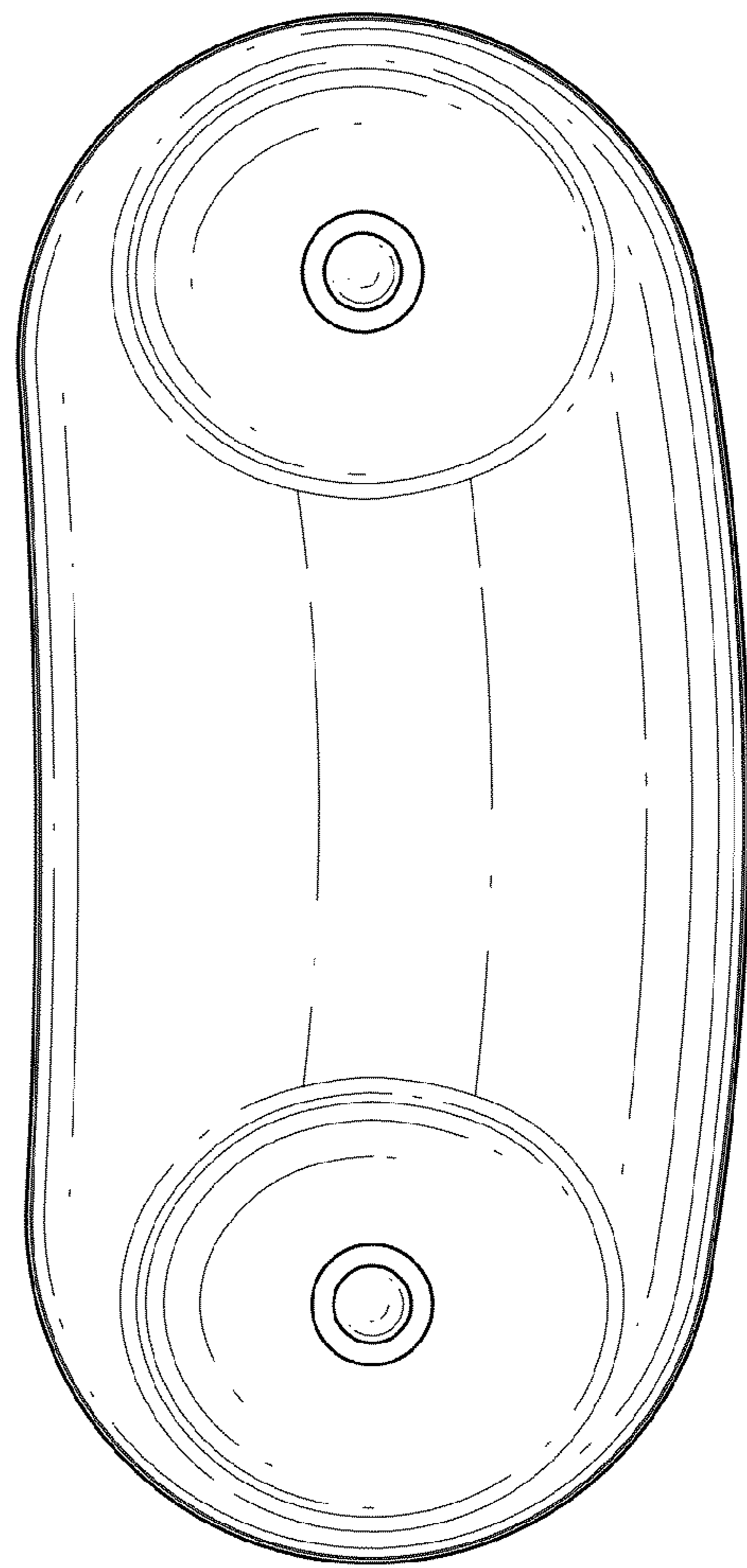


FIG. 4

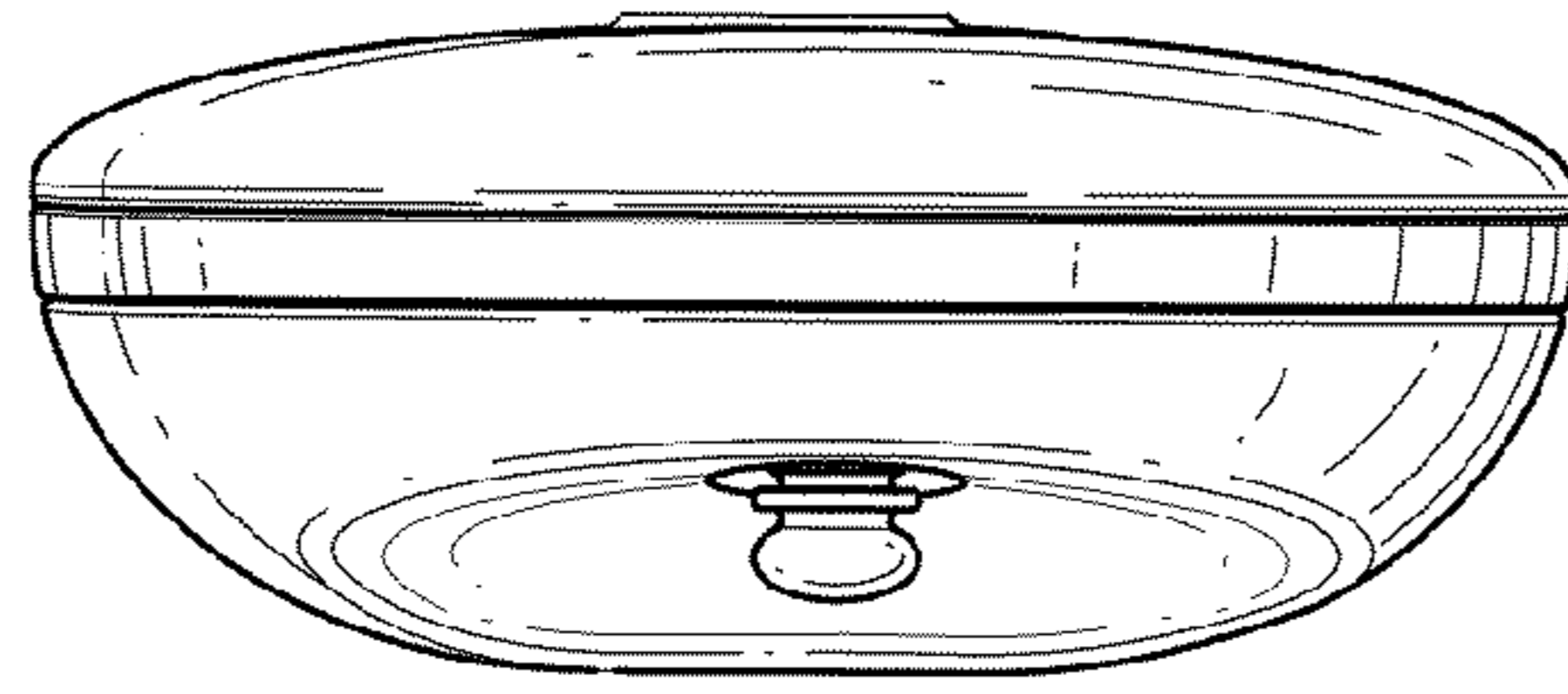


FIG. 5

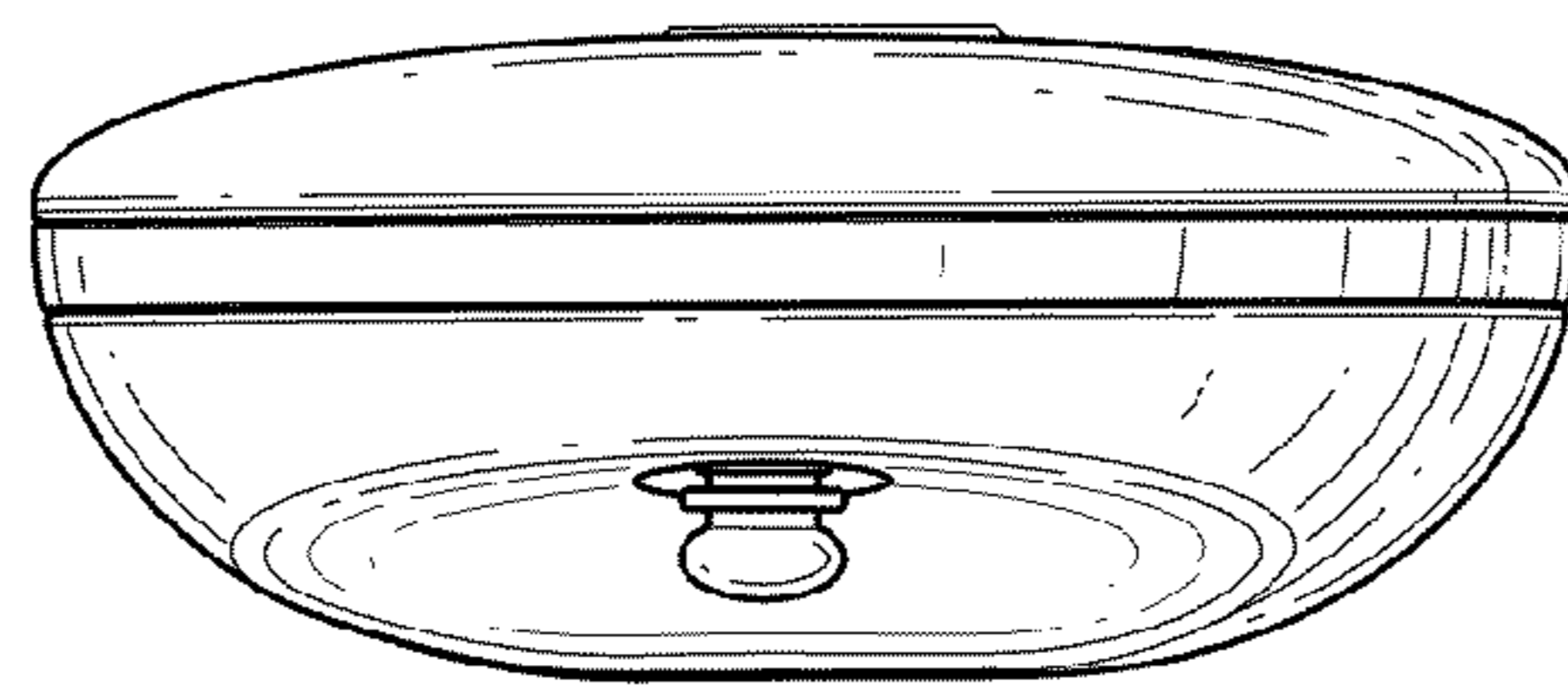


FIG. 6

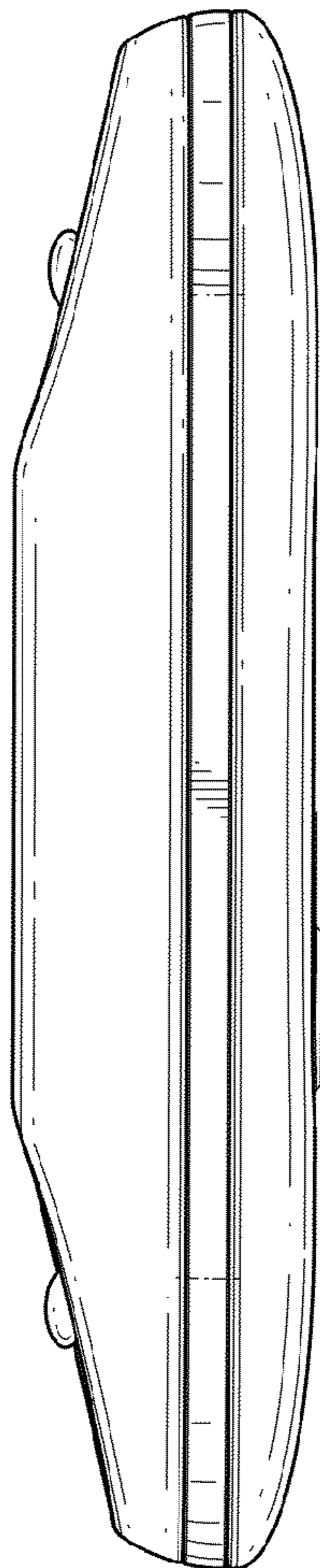


FIG. 7

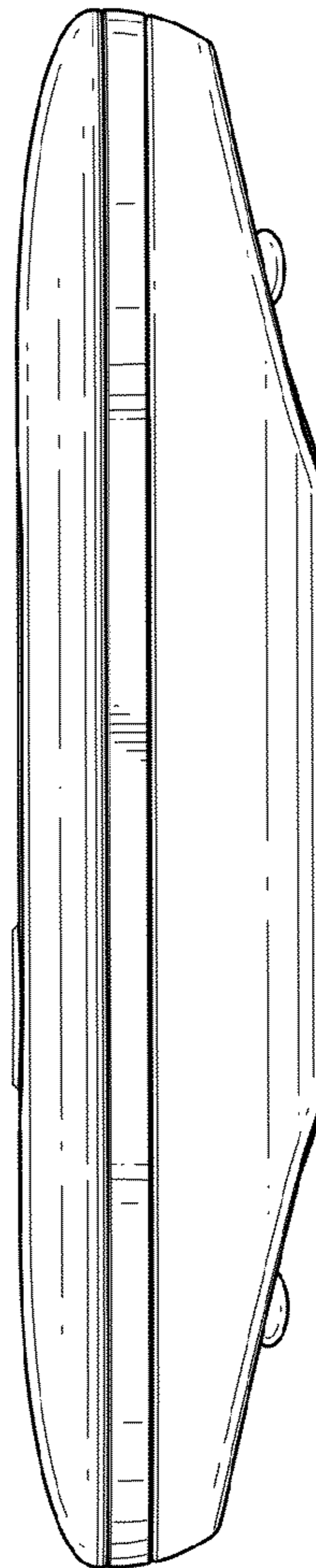


FIG. 8