



US00D733887S

(12) **United States Design Patent**
Blomquist et al.

(10) **Patent No.:** **US D733,887 S**
(45) **Date of Patent:** **** Jul. 7, 2015**

- (54) **VENTILATOR CORE**
- (71) Applicants: **Karin Blomquist**, Sollentuna (SE);
Anna Carell, Bromma (SE); **Aydin Mert**, Orebro (SE)
- (72) Inventors: **Karin Blomquist**, Sollentuna (SE);
Anna Carell, Bromma (SE); **Aydin Mert**, Orebro (SE)
- (73) Assignee: **Maquet Critical Care AB**, Solna (SE)

- D462,496 S 9/2002 Koppes et al.
- D467,001 S 12/2002 Buczek et al.
- D468,420 S * 1/2003 Bolmsjo D24/107
- 6,626,445 B2 * 9/2003 Murphy et al. 280/47.34
- 6,669,639 B1 * 12/2003 Miller et al. 600/443
- D486,915 S 2/2004 Warschewske et al.
- D489,181 S 5/2004 Moon
- D493,977 S 8/2004 Rossini et al.
- D500,575 S 1/2005 Lucas
- D512,508 S 12/2005 Mesaros
- D518,267 S 3/2006 Arceta
- D528,856 S 9/2006 Pascal

(Continued)

(**) Term: **14 Years**

FOREIGN PATENT DOCUMENTS

- (21) Appl. No.: **29/473,864**
- (22) Filed: **Nov. 26, 2013**

RU 77007 12/2010

Related U.S. Application Data

Primary Examiner — Holly Baynham
Assistant Examiner — Rhea Shields
(74) *Attorney, Agent, or Firm* — Schiff Hardin LLP

- (62) Division of application No. 29/462,690, filed on Aug. 7, 2013, now Pat. No. Des. 702,840.

(57) **CLAIM**

(30) **Foreign Application Priority Data**

The ornamental design for a ventilator core, as shown and described.

Feb. 7, 2013 (EP) 002180356

DESCRIPTION

- (51) **LOC (10) Cl.** **24-00**
- (52) **U.S. Cl.**
USPC **D24/164**
- (58) **Field of Classification Search**
USPC D24/164, 107, 110, 186, 185, 231, 234,
D24/177, 183; 280/47.34, 47.35; 312/209
See application file for complete search history.

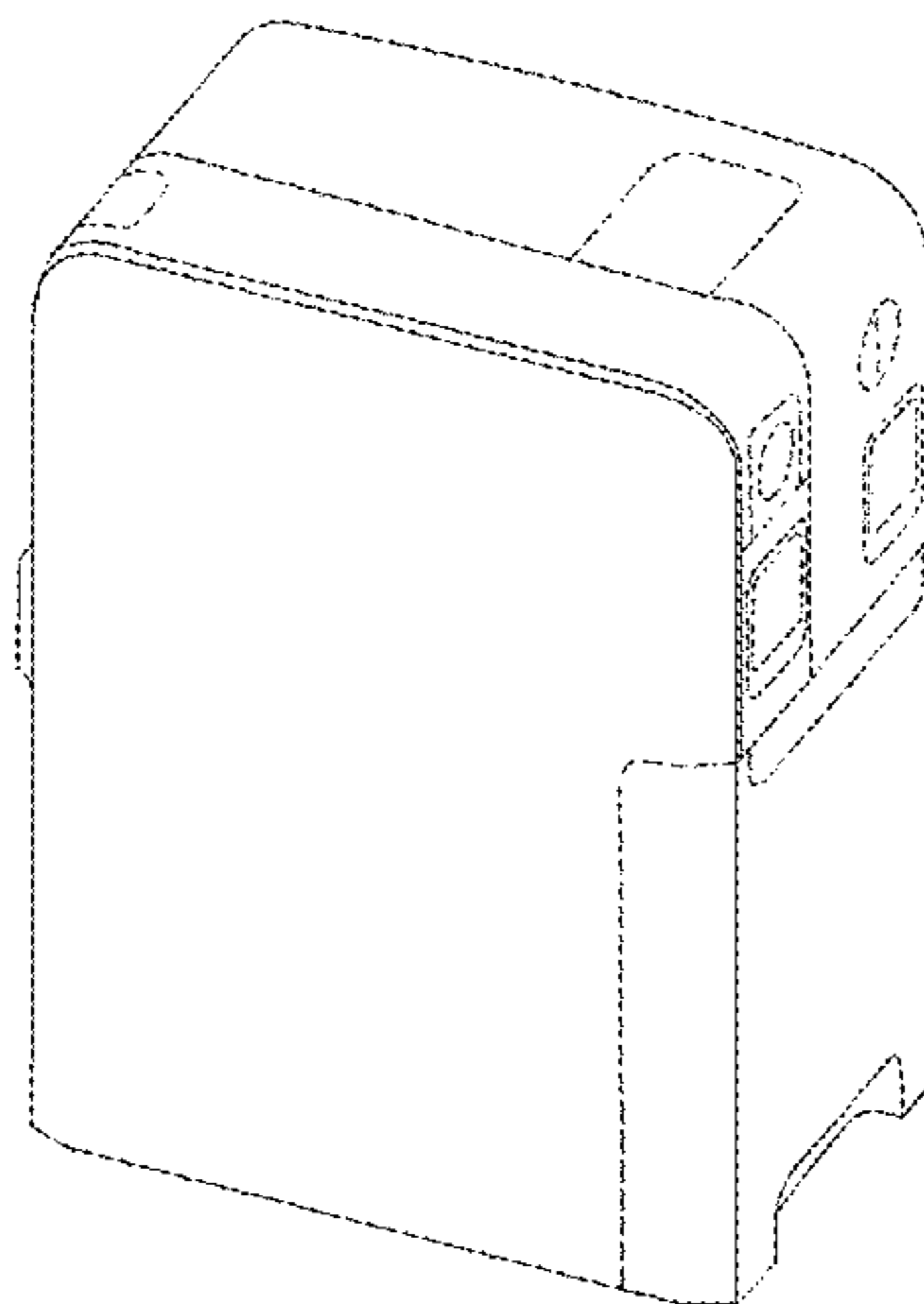
FIG. 1 is a perspective view of a ventilator core taken from a direction between a right side and a back of the ventilator core;
FIG. 2 is a right side elevational view of the ventilator core of FIG. 1;
FIG. 3 is a left side elevational view of the ventilator core of FIG. 1;
FIG. 4 is a front elevational view of the ventilator core of FIG. 1;
FIG. 5 is a rear elevational view of the ventilator core of FIG. 1;
FIG. 6 is a top plan view of the ventilator core of FIG. 1; and, FIG. 7 is a bottom plan view of the ventilator core of FIG. 1.
In the drawings, the broken lines depict unclaimed subject matter only and form no part of the claimed design.

(56) **References Cited**

U.S. PATENT DOCUMENTS

- 4,073,036 A 2/1978 Bustin
- D335,374 S 5/1993 Schulze et al.
- D338,272 S * 8/1993 Cunagin et al. D24/167
- D422,695 S * 4/2000 van Engelen et al. D24/107
- D423,671 S 4/2000 Garito et al.
- D447,567 S * 9/2001 Murphy et al. D24/172
- D459,477 S 6/2002 Stocks et al.

1 Claim, 6 Drawing Sheets



(56)

References Cited

U.S. PATENT DOCUMENTS

D532,953 S	11/2006	Lauer et al.	D628,142 S	11/2010	Farber
D539,794 S	4/2007	Rossini et al.	D628,701 S	12/2010	Nordgren et al.
D544,962 S	6/2007	Diener et al.	D629,523 S	12/2010	Porter et al.
D555,792 S	11/2007	Haymann et al.	D631,551 S	1/2011	Nordgren et al.
D559,390 S	1/2008	Diener et al.	D632,796 S	2/2011	Ross et al.
D568,258 S *	5/2008	Adam D13/163	D632,797 S	2/2011	Ross et al.
D594,622 S	6/2009	Kissun	D634,429 S	3/2011	Nordgren et al.
D600,873 S	9/2009	Banasik et al.	D643,535 S	8/2011	Ross et al.
7,594,468 B2	9/2009	Kania et al.	D648,855 S	11/2011	Smith et al.
7,594,668 B2 *	9/2009	Arceta et al. 280/47.35	D652,936 S	1/2012	Ross et al.
D606,202 S	12/2009	Banryu	D655,013 S	2/2012	Sabaris Vilas
D613,866 S	4/2010	Tanaka et al.	D657,470 S	4/2012	Schon et al.
D613,867 S	4/2010	Tanaka et al.	D663,576 S	7/2012	McEldowney
D626,235 S	10/2010	Smith et al.	D687,260 S	8/2013	Rae
D626,237 S	10/2010	Nordgren et al.	D702,840 S	4/2014	Blomquist et al.
D627,474 S	11/2010	Nordgren et al.	2007/0228680 A1 *	10/2007	Reppert et al. 280/47.35
			2009/0015116 A1 *	1/2009	Arceta et al. 312/209
			2010/0148458 A1 *	6/2010	Ross et al. 280/47.34
			2014/0053371 A1	2/2014	Feinstein

* cited by examiner

FIG. 1

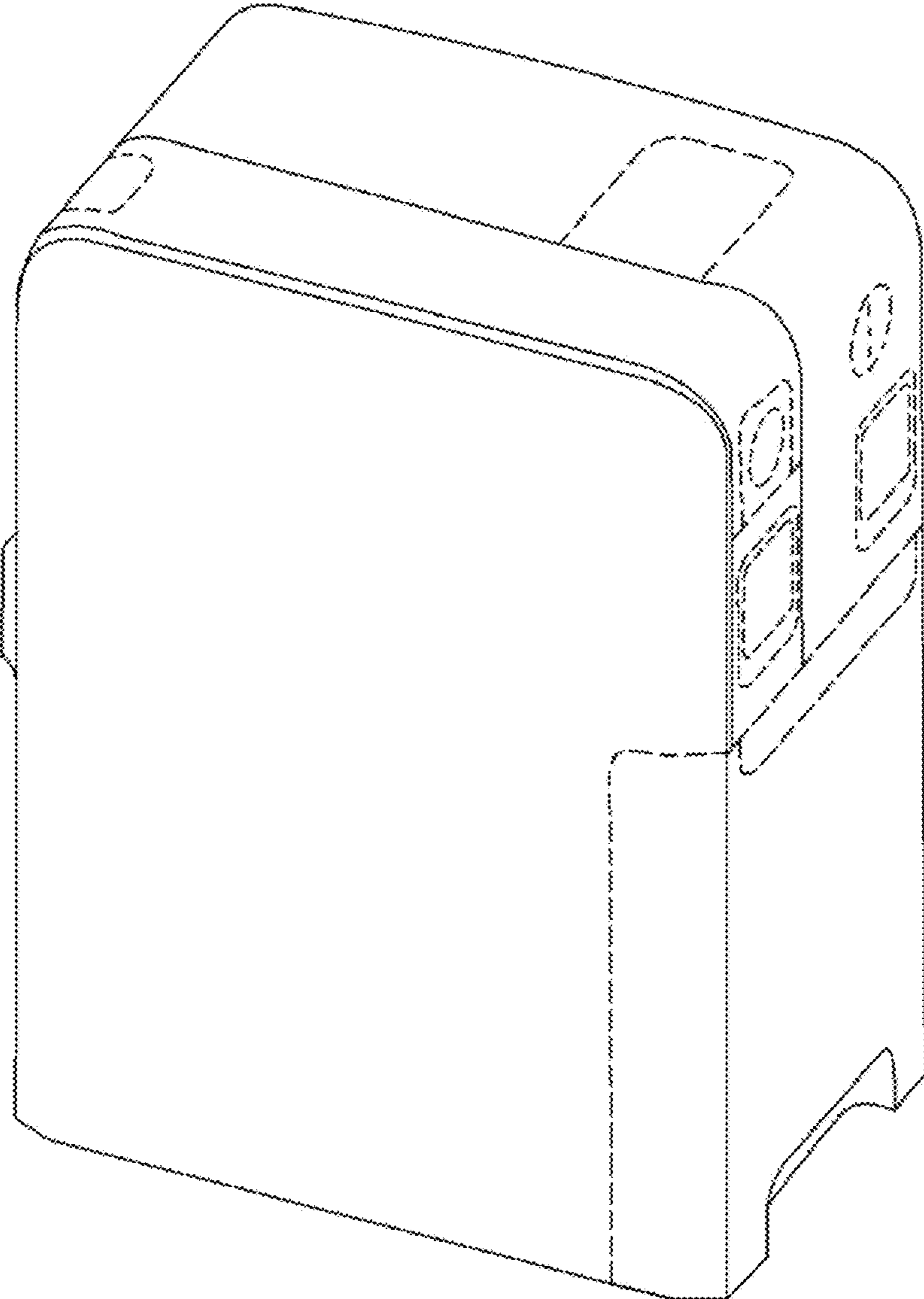


FIG. 2

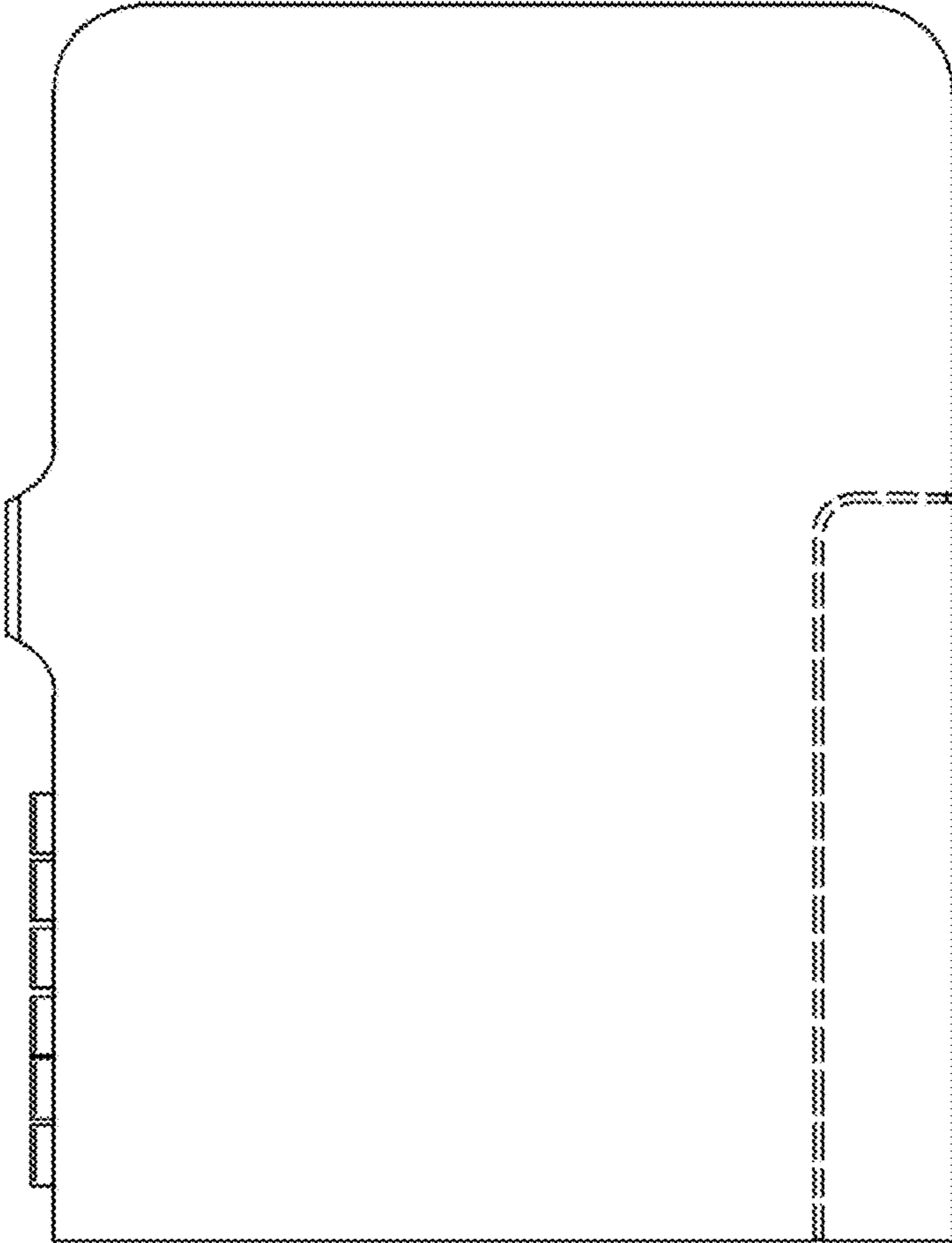


FIG. 3

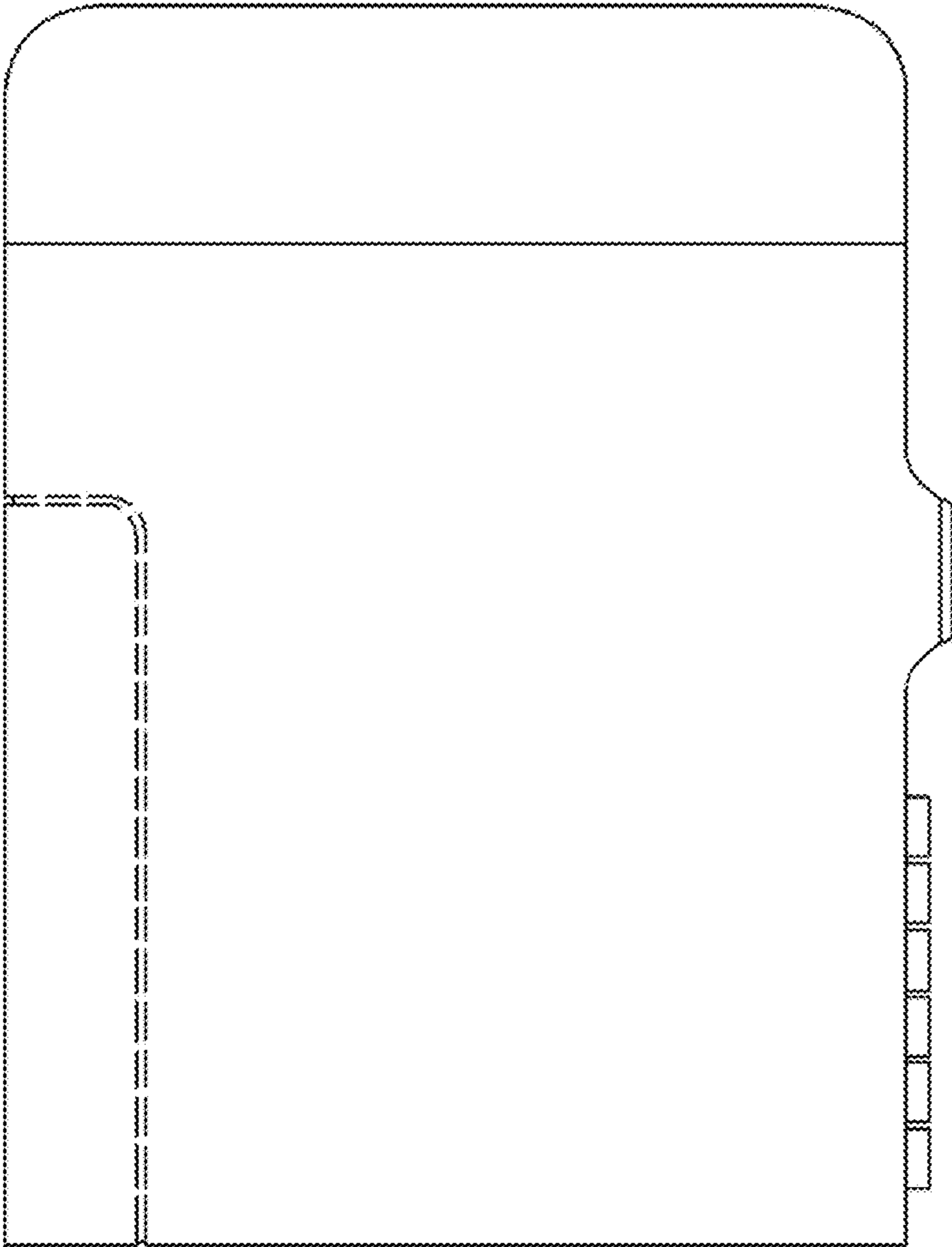


FIG. 4

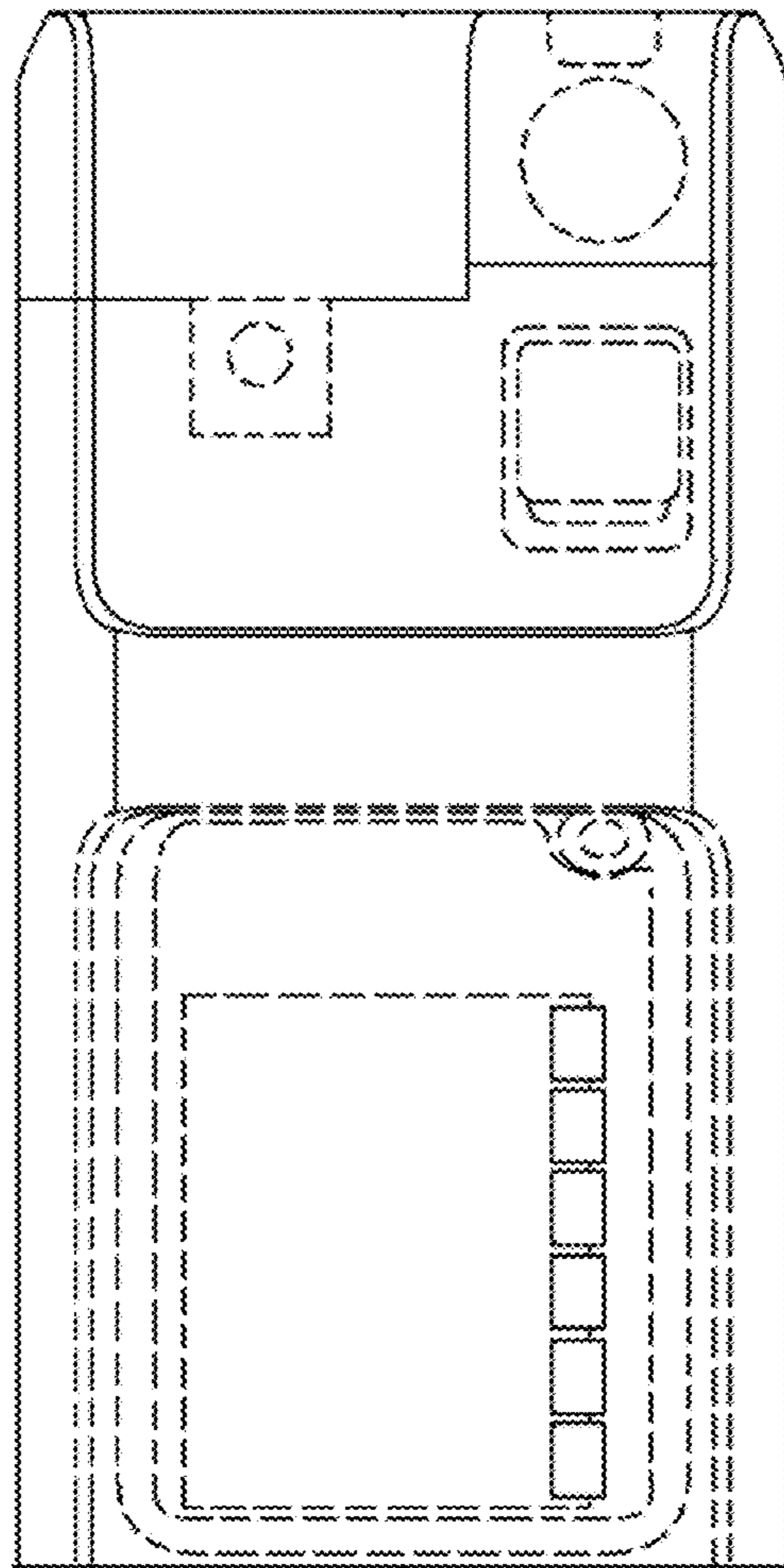


FIG. 5

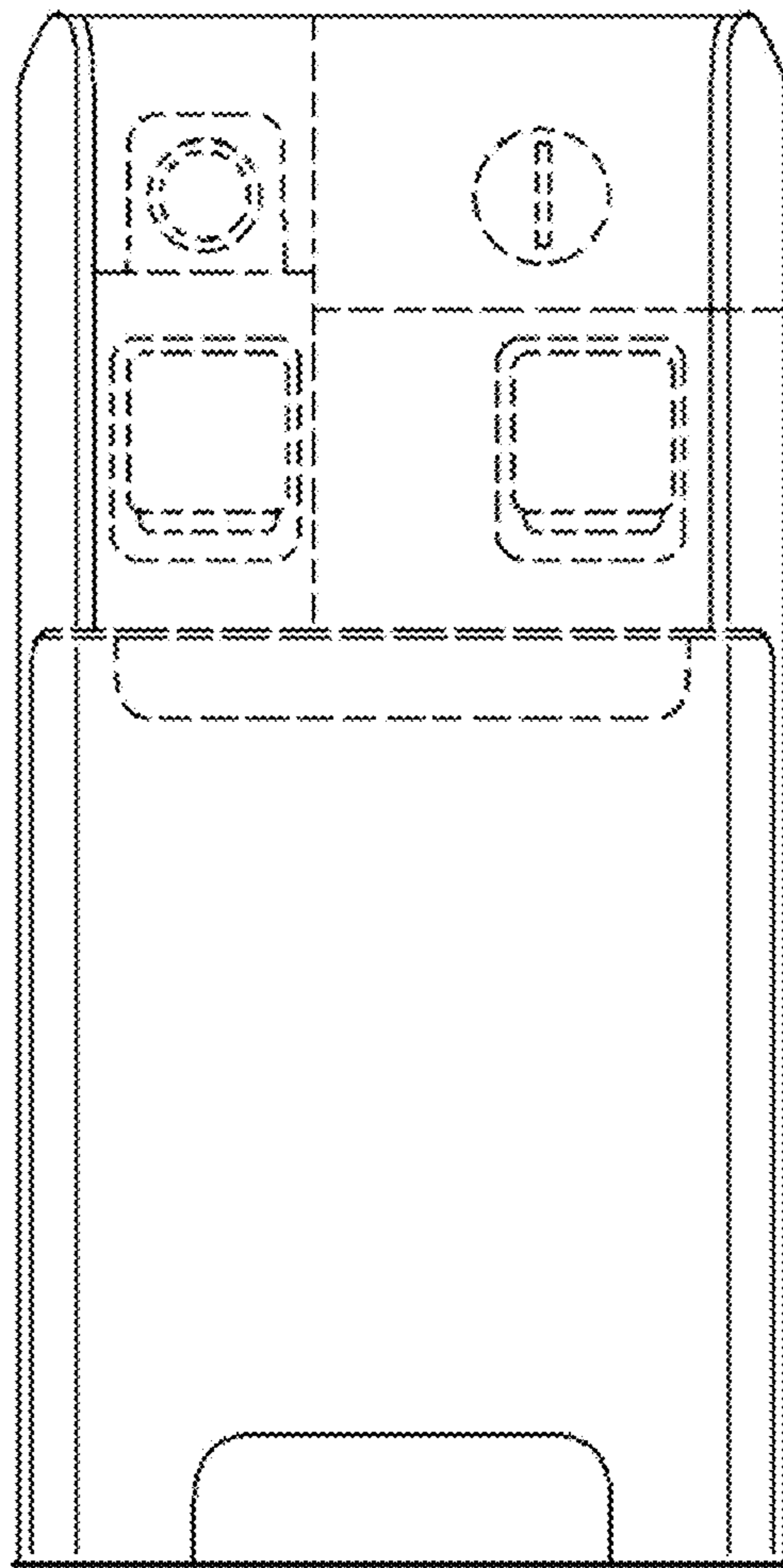


FIG. 6

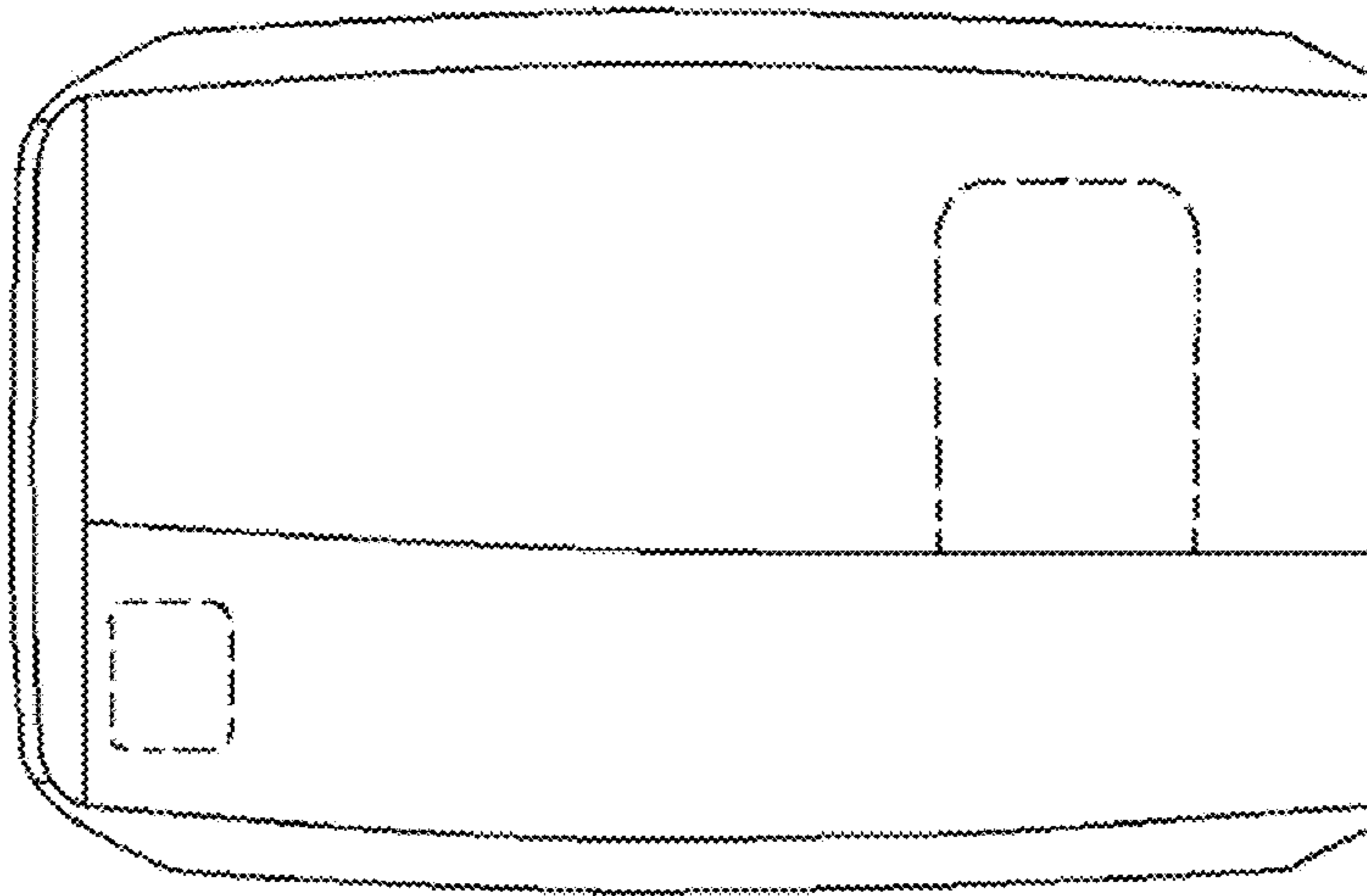


FIG. 7

