



US00D733885S

(12) **United States Design Patent**
Andersin et al.

(10) **Patent No.:** **US D733,885 S**
(45) **Date of Patent:** **** Jul. 7, 2015**

(54) **DENTAL ABUTMENT**
(71) Applicant: **ASTRA TECH AB**, Mölndal (SE)
(72) Inventors: **Per Andersin**, Mölnlycke (SE); **Mattias Dahlström**, Billdal (SE); **Johan Holmström**, Kålleröd (SE)
(73) Assignee: **ASTRA TECH AB**, Mölndal (SE)

583,945 A 6/1897 Rodriguez
588,699 A 8/1897 Emery
588,700 A 8/1897 Beck et al.
603,512 A 5/1898 Rosbrook et al.
603,513 A 5/1898 Roth
603,514 A 5/1898 Schneider
604,851 A 5/1898 Brown
605,291 A 6/1898 Hunter
665,910 A 1/1901 Houghland

(Continued)

(**) Term: **14 Years**

FOREIGN PATENT DOCUMENTS

(21) Appl. No.: **29/471,164**

WO wo 94/09717 A1 5/1994
WO WO 01/28451 A1 4/2001

(22) Filed: **Oct. 29, 2013**

(Continued)

Related U.S. Application Data

(62) Division of application No. 29/406,192, filed on Nov. 10, 2011.

Primary Examiner — Ian Simmons

Assistant Examiner — Charles Hanson

(74) *Attorney, Agent, or Firm* — Birch, Stewart, Kolasch & Birch, LLP

(30) **Foreign Application Priority Data**

May 13, 2011 (EM) 001276315

(51) **LOC (10) Cl.** **24-02**

(52) **U.S. Cl.**
USPC **D24/156**

(58) **Field of Classification Search**
USPC D24/155–156, 176; D8/387; D15/21, D15/28; 433/172–174; 623/17.16, 17.17, 623/11.11, 23.26, 23.27; 606/304, 74
CPC A61C 8/006; A61C 8/0069; A61C 8/0054; A61C 8/0001; A61C 8/0012; A61C 8/0075; A61C 8/00

See application file for complete search history.

(56) **References Cited**

U.S. PATENT DOCUMENTS

565,181 A 8/1896 Sadler
577,122 A 2/1897 Washburn

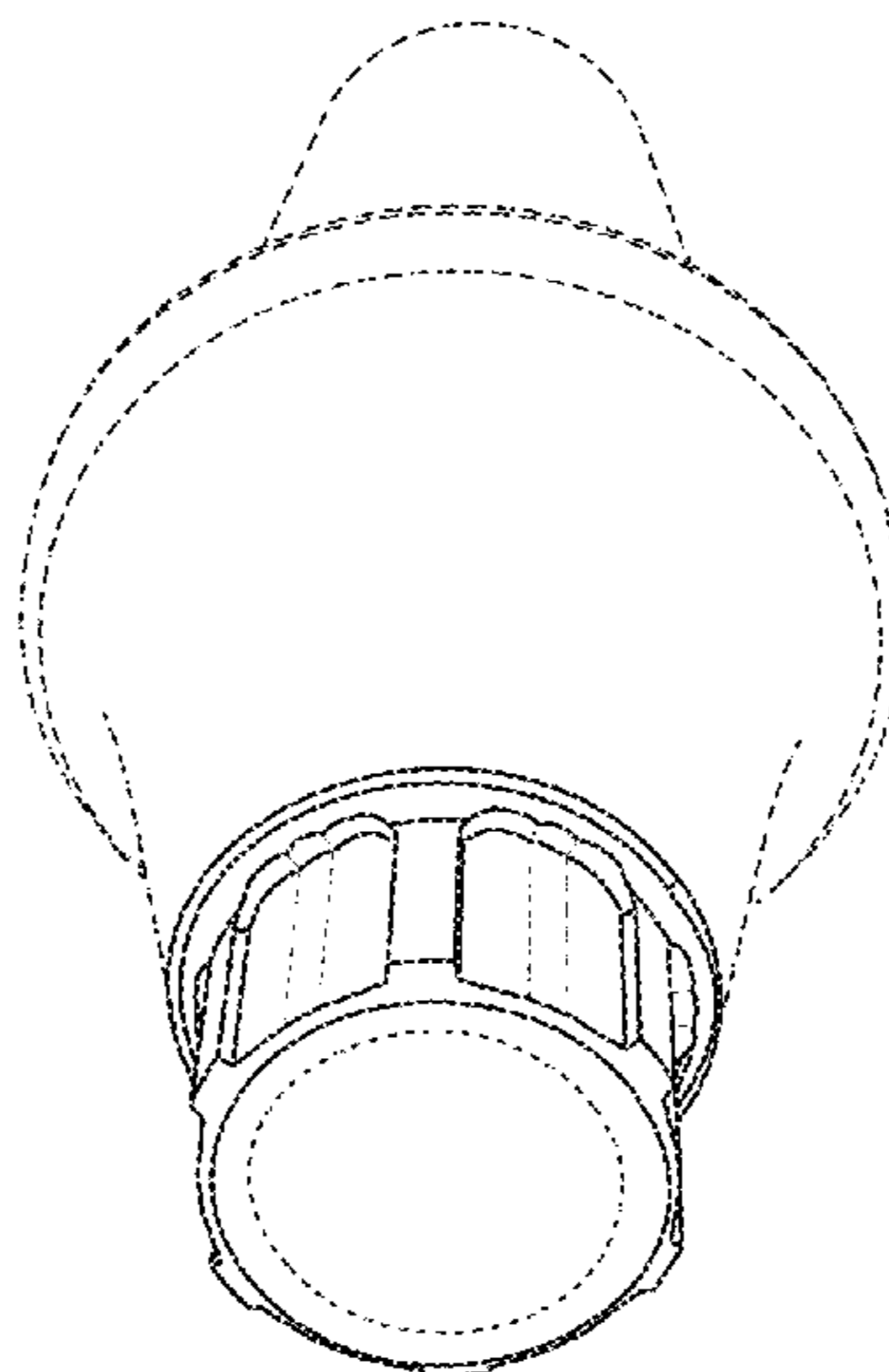
(57) **CLAIM**

The ornamental design for a dental abutment, as shown and described.

DESCRIPTION

FIG. 1 is a perspective view of a dental abutment showing my new design;
FIG. 2 is a top plan view thereof;
FIG. 3 is a front view thereof;
FIG. 4 is a right side elevational view thereof;
FIG. 5 is a rear elevational view thereof;
FIG. 6 is a left side elevational view thereof; and,
FIG. 7 is a bottom plan view thereof.
The portions in the drawings illustrated in broken lines represented the boundary of the design and therefore form no part of the claimed design.

1 Claim, 3 Drawing Sheets



(56)

References Cited

U.S. PATENT DOCUMENTS

666,295 A 1/1901 Wheeler
 D356,869 S * 3/1995 Holmen et al. D24/156
 D362,720 S * 9/1995 Holmen et al. D24/155
 5,674,069 A * 10/1997 Osorio 433/172
 5,779,480 A * 7/1998 Groll et al. 433/173
 6,024,567 A * 2/2000 Callan 433/173
 6,116,904 A 9/2000 Kirsch et al.
 D441,448 S * 5/2001 Kumar D24/156
 6,227,859 B1 5/2001 Sutter
 6,332,777 B1 12/2001 Sutter
 D486,914 S * 2/2004 Schuler et al. D24/156
 D493,535 S * 7/2004 Whitehead D24/156
 D507,052 S * 7/2005 Wohrle D24/156
 D511,833 S * 11/2005 Wohrle D24/156
 D528,210 S * 9/2006 Boettcher D24/156
 7,104,797 B2 9/2006 Rassoli
 D567,947 S * 4/2008 Lerner et al. D24/156
 D580,059 S * 11/2008 Boettcher D24/156

D587,373 S * 2/2009 Purga et al. D24/156
 D611,603 S * 3/2010 Noguchi D24/156
 D611,604 S * 3/2010 Aoyagi D24/156
 D616,097 S * 5/2010 Johnson et al. D24/156
 7,905,905 B2 3/2011 Cragg et al.
 D652,929 S * 1/2012 Sibhatu et al. D24/156
 D663,032 S * 7/2012 Mashio et al. D24/156
 D663,419 S * 7/2012 Mashio et al. D24/156
 D667,955 S * 9/2012 Spahn D24/156
 2005/0065525 A1 3/2005 Aringskog et al.
 2005/0136380 A1 6/2005 Niznick
 2005/0287496 A1 12/2005 Niznick
 2006/0172257 A1 8/2006 Niznick
 2009/0123890 A1 5/2009 Purga et al.

FOREIGN PATENT DOCUMENTS

WO WO 2005/058178 A2 6/2005
 WO WO 2005/065571 A1 7/2005
 WO WO 2009/149881 A1 12/2009

* cited by examiner

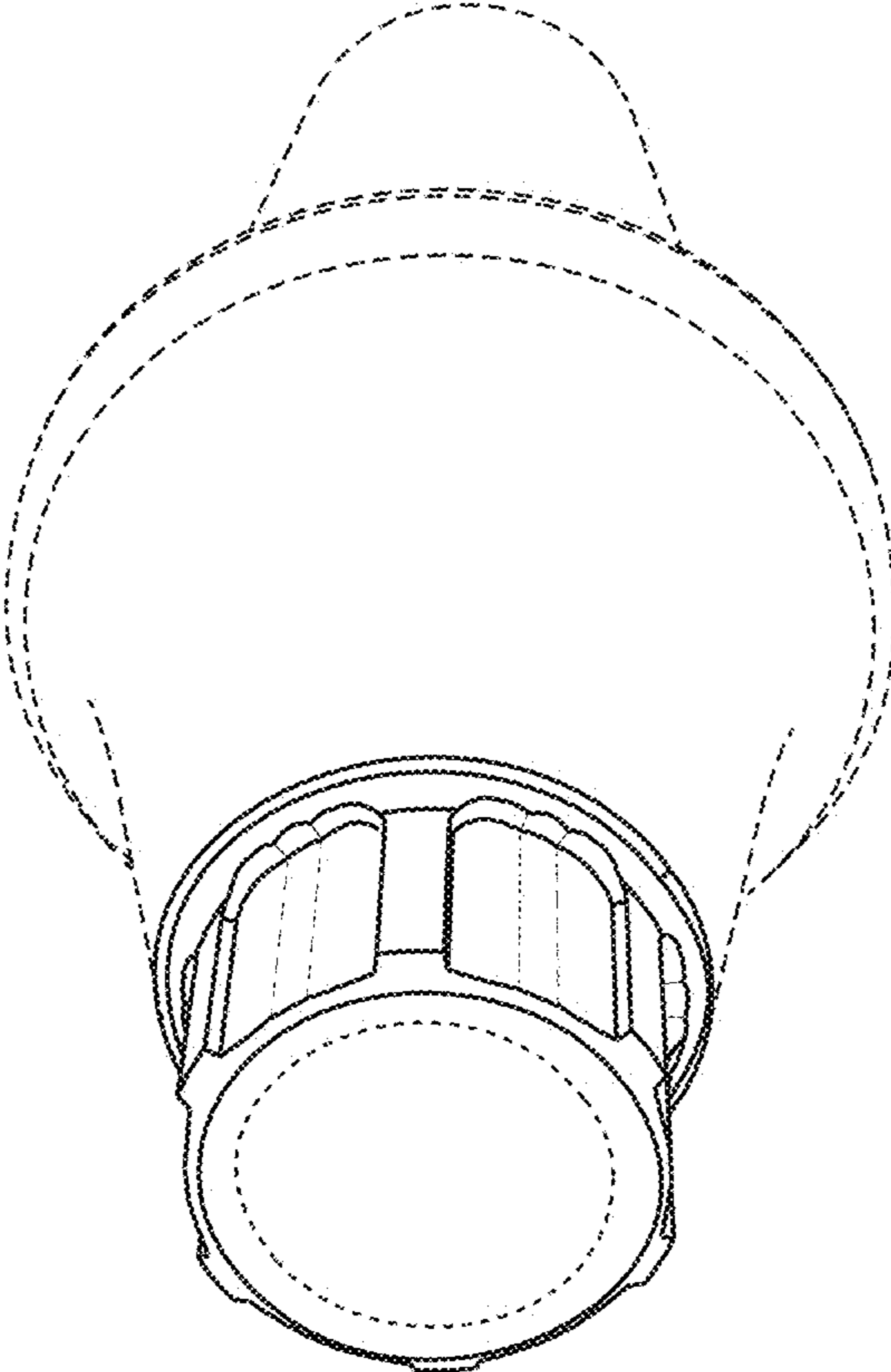


Figure 1

FIGURE 2

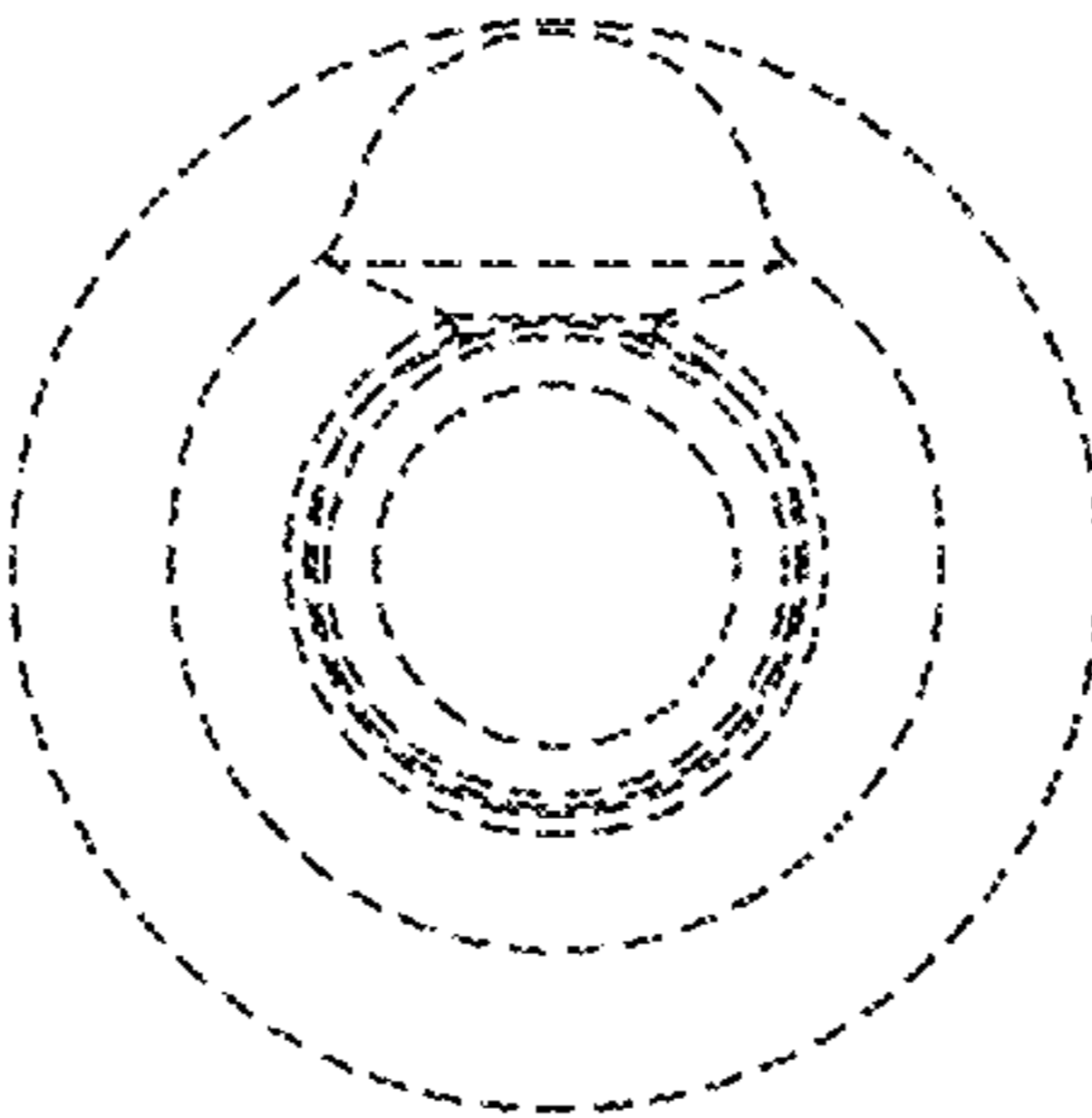


FIGURE 3

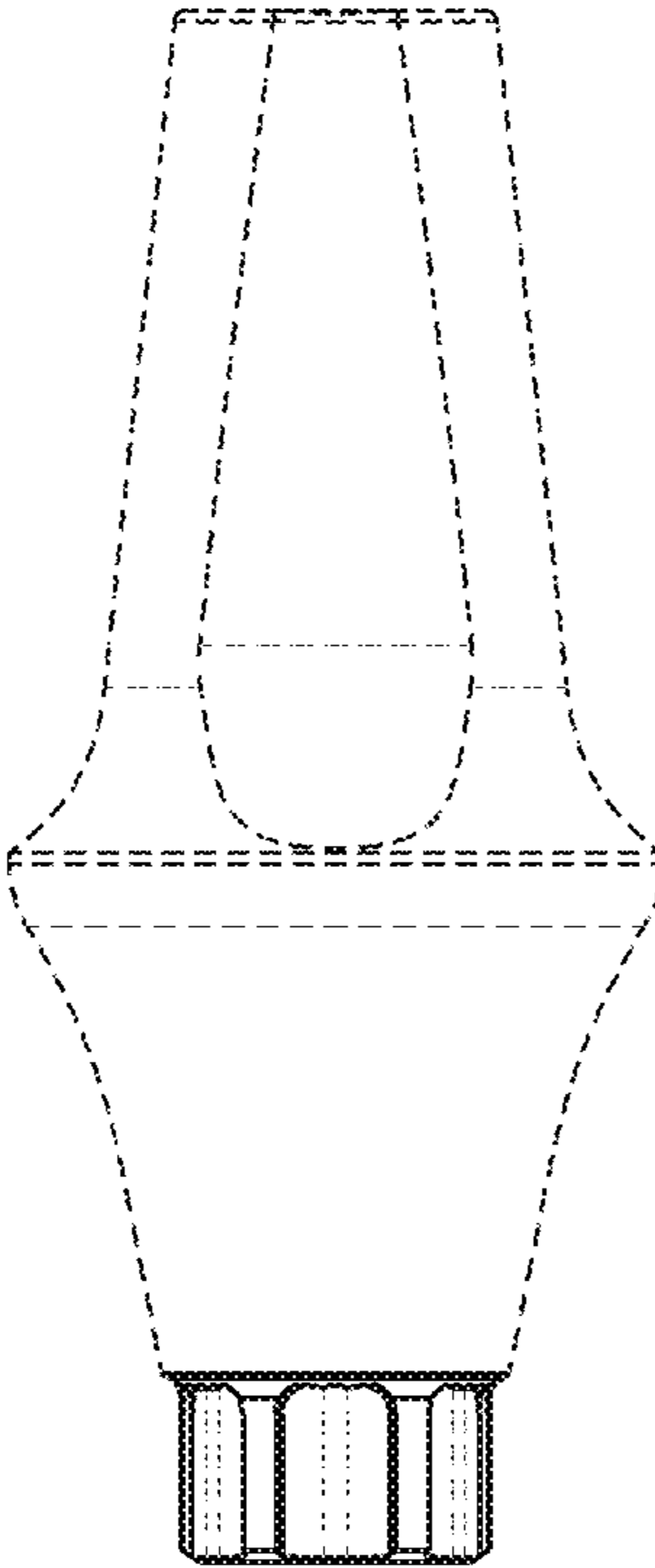
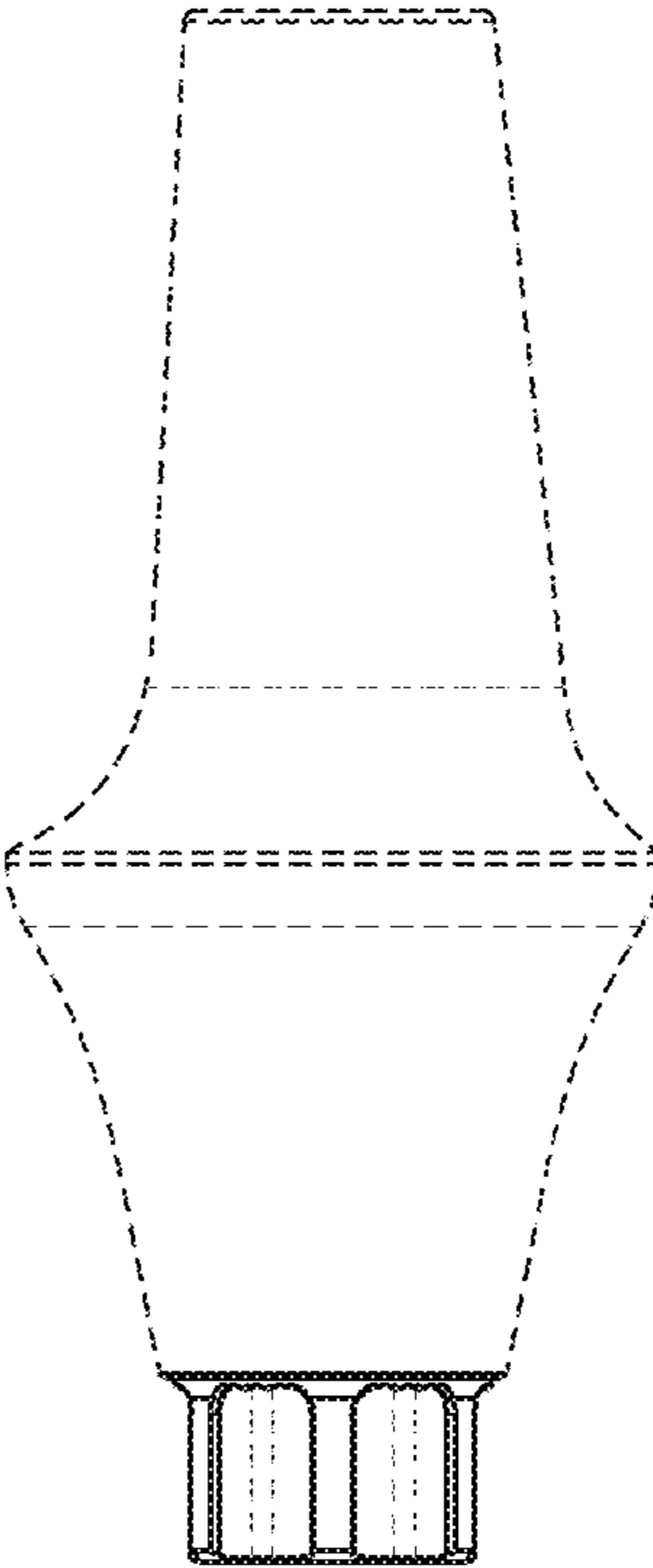


FIGURE 4



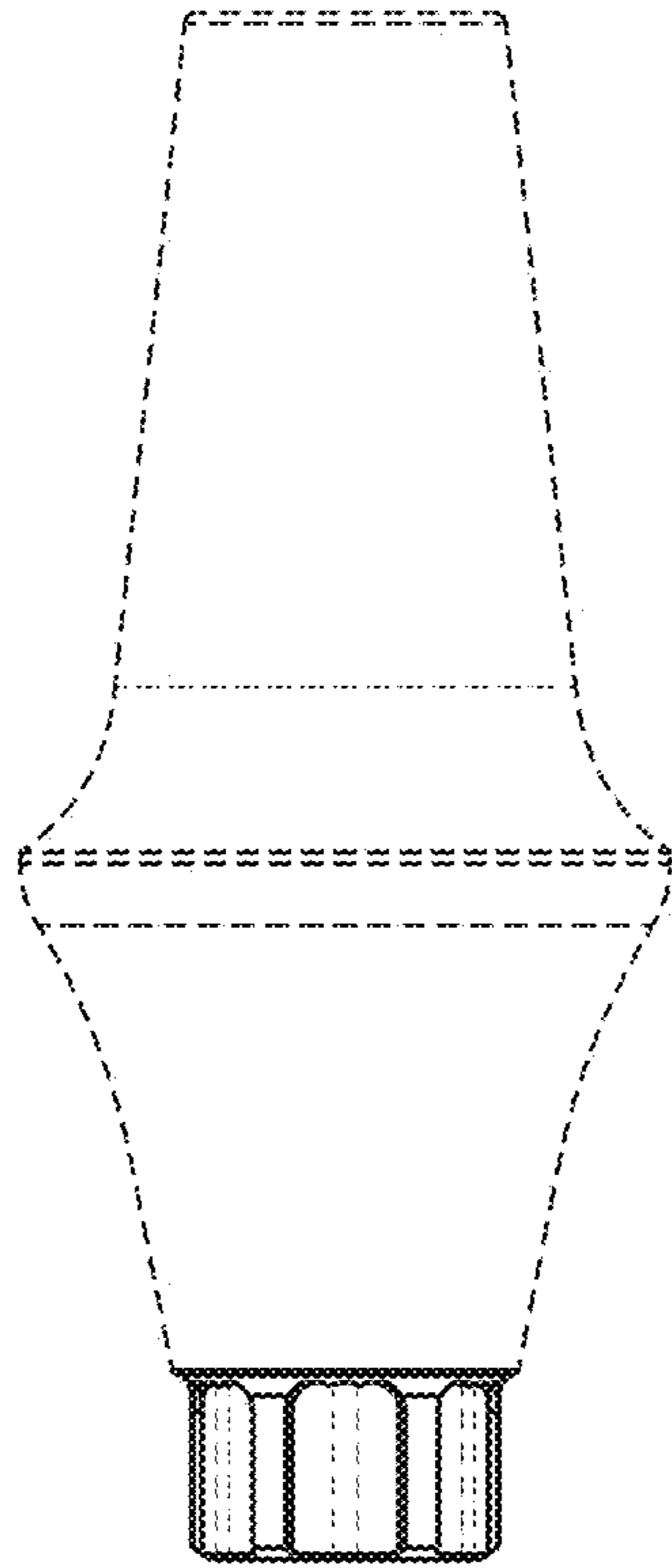


Figure 5

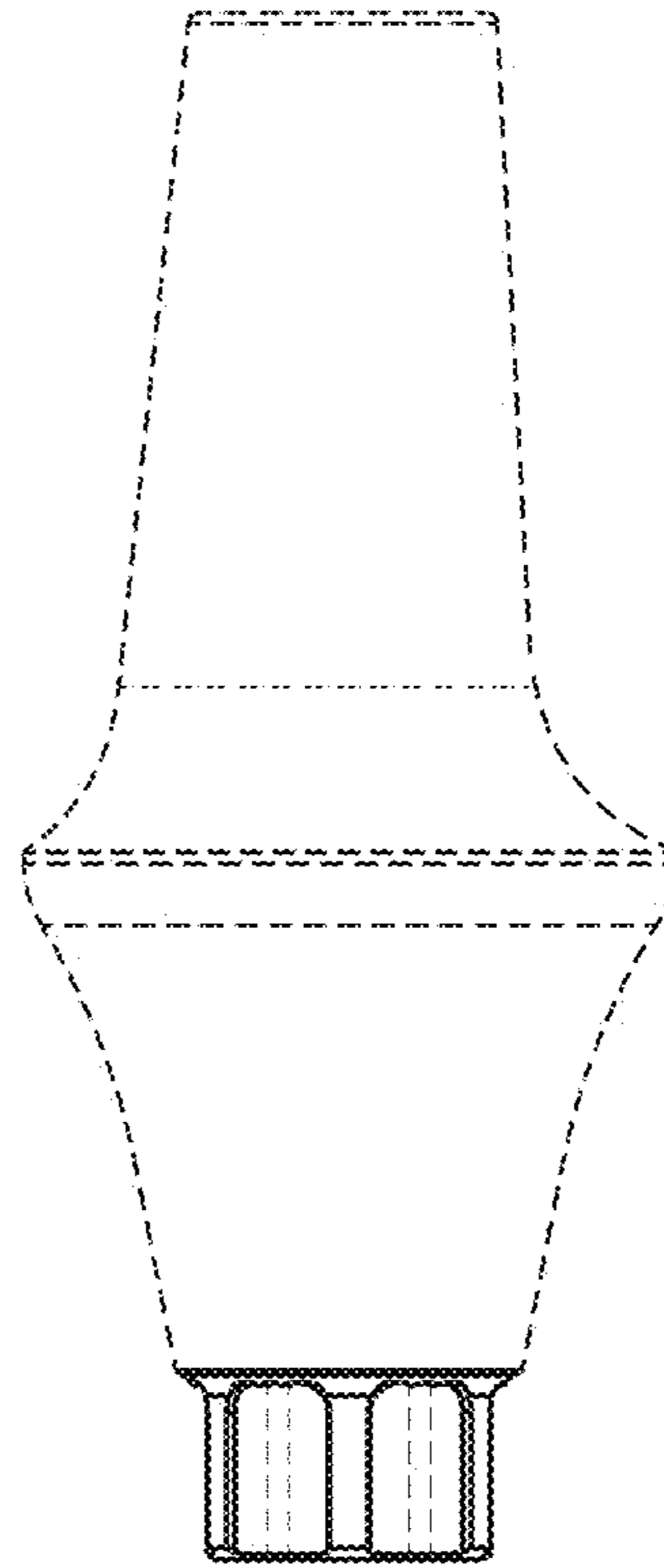


Figure 6

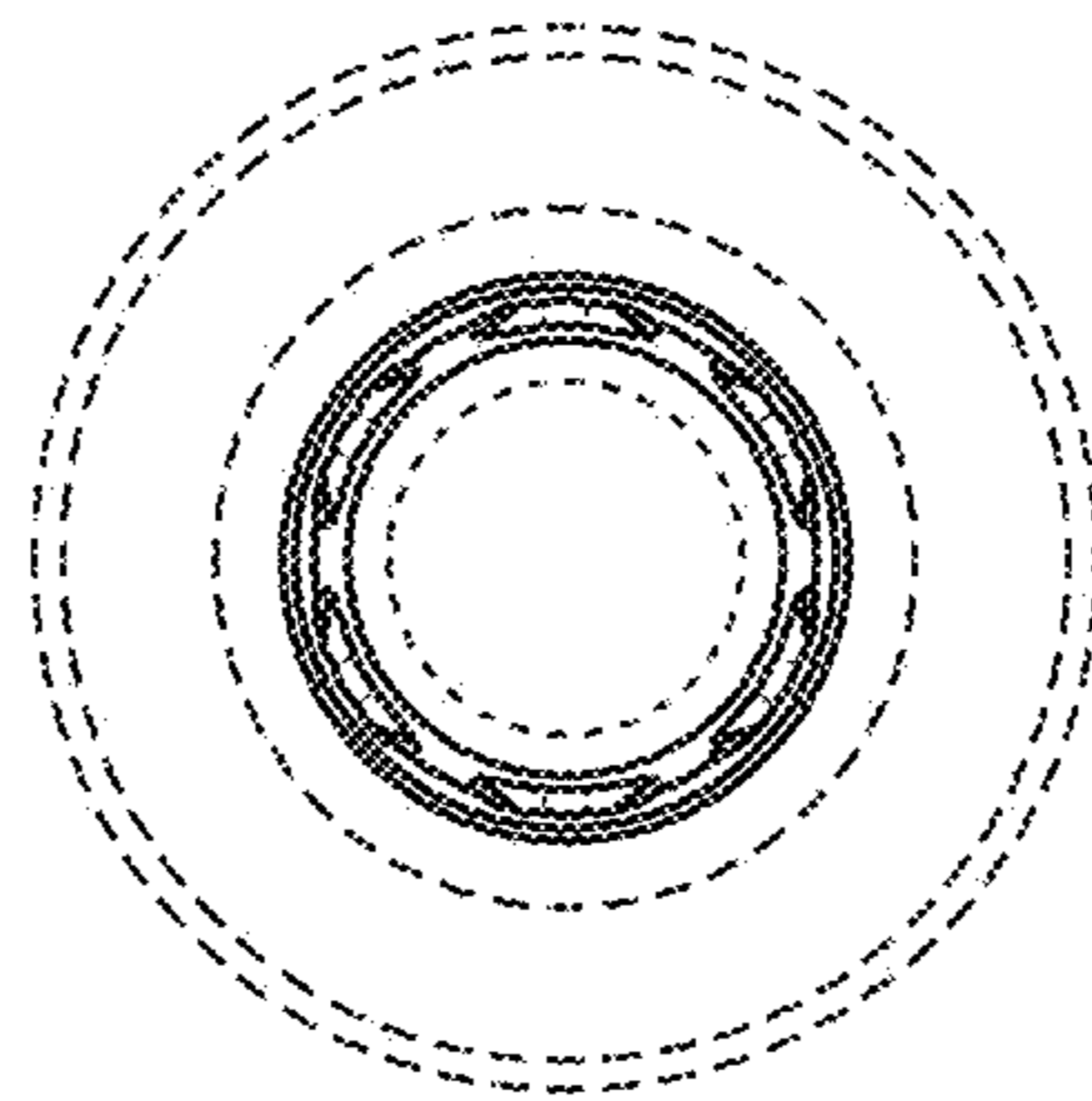


Figure 7