



US00D733884S

(12) **United States Design Patent**  
**Hillmann et al.**

(10) **Patent No.:** **US D733,884 S**  
(45) **Date of Patent:** **\*\* Jul. 7, 2015**

(54) **ADJUSTABLE ADAPTER**

FOREIGN PATENT DOCUMENTS

(71) Applicant: **OTTO BOCK HEALTHCARE GMBH**, Duderstadt (DE)

DE 20313997 U1 12/2003

(72) Inventors: **Martin Hillmann**, Duderstadt (DE);  
**Michael Rausch**, Brehme (DE)

OTHER PUBLICATIONS

(73) Assignee: **OTTO BOCK HEALTHCARE GMBH**, Duderstadt (DE)

Endolite—Adapters, <http://www.endolite.com/products/socket-adapters#parts>, 1 page.  
Proteor—Alignment Systems, [http://orthopaedics.proteor.com/images/fichier\\_site\\_4\\_2](http://orthopaedics.proteor.com/images/fichier_site_4_2), 1 page.  
WillowWood Aluminum and Titanium Slide Adapters, <http://www.willowwoodco.com/products-and-services/modular-components/endoskeletal-components/4-hole-pyramid-adapters/aluminum-and-titanium-slide-adapters-optional-rotation>, 1 page.

(\*\*) Term: **14 Years**

\* cited by examiner

(21) Appl. No.: **29/437,031**

(22) Filed: **Nov. 12, 2012**

*Primary Examiner* — Derrick Holland

*Assistant Examiner* — Lauren Calve

(30) **Foreign Application Priority Data**

May 11, 2012 (EM) ..... 002040691

(74) *Attorney, Agent, or Firm* — Holland & Hart

(51) **LOC (10) Cl.** ..... **24-02**

(57) **CLAIM**

(52) **U.S. Cl.**  
USPC ..... **D24/155**

The ornamental design for an adjustable adapter, as shown and described.

(58) **Field of Classification Search**  
USPC ..... D24/155; 623/11.11, 18.11, 19.12,  
623/20.22, 20.33, 22.18, 22.19, 23.47,  
623/23.58, 33, 38, 41, 43  
See application file for complete search history.

**DESCRIPTION**

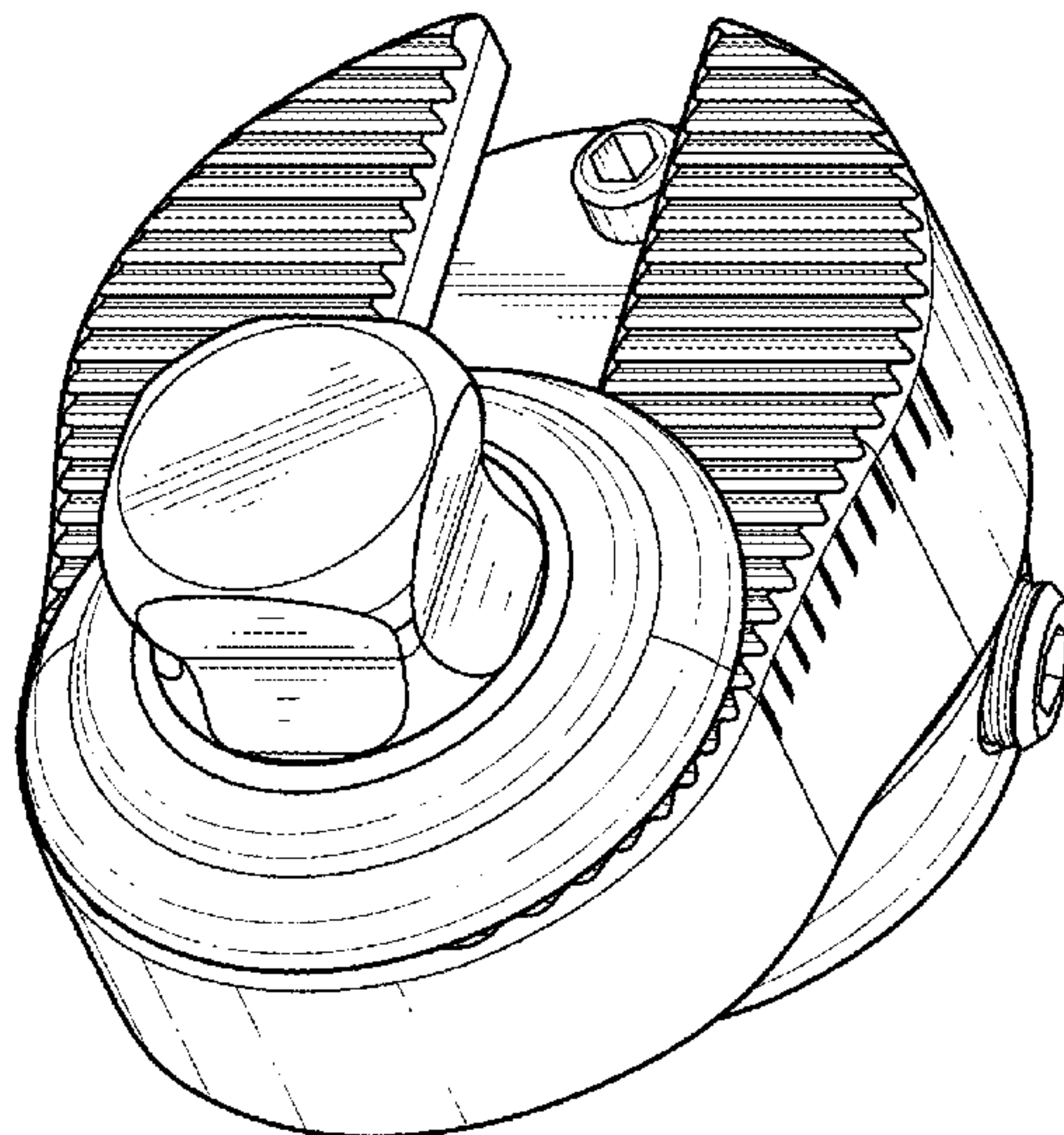
(56) **References Cited**

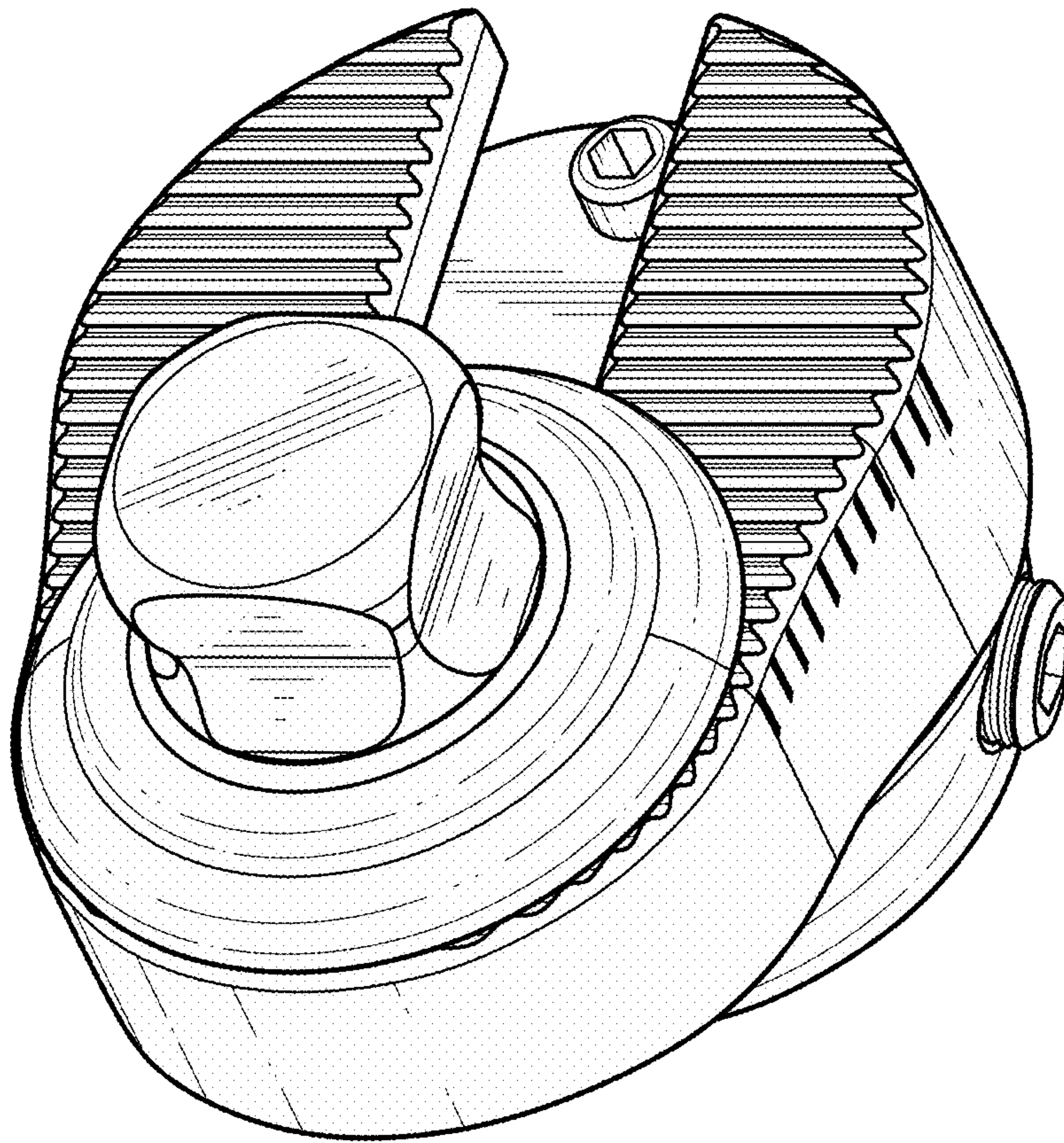
U.S. PATENT DOCUMENTS

D462,767 S \* 9/2002 Meyer et al. .... D24/155  
7,267,695 B2 \* 9/2007 Curtis ..... 623/38  
7,338,532 B2 \* 3/2008 Haberman et al. .... 623/38  
D620,594 S \* 7/2010 Curtis ..... D24/155  
D623,750 S \* 9/2010 Duffield et al. .... D24/155  
D637,721 S \* 5/2011 Horton ..... D24/155  
8,443,501 B2 \* 5/2013 Mahon ..... 29/271  
2004/0059433 A1 \* 3/2004 Slemker et al. .... 623/38

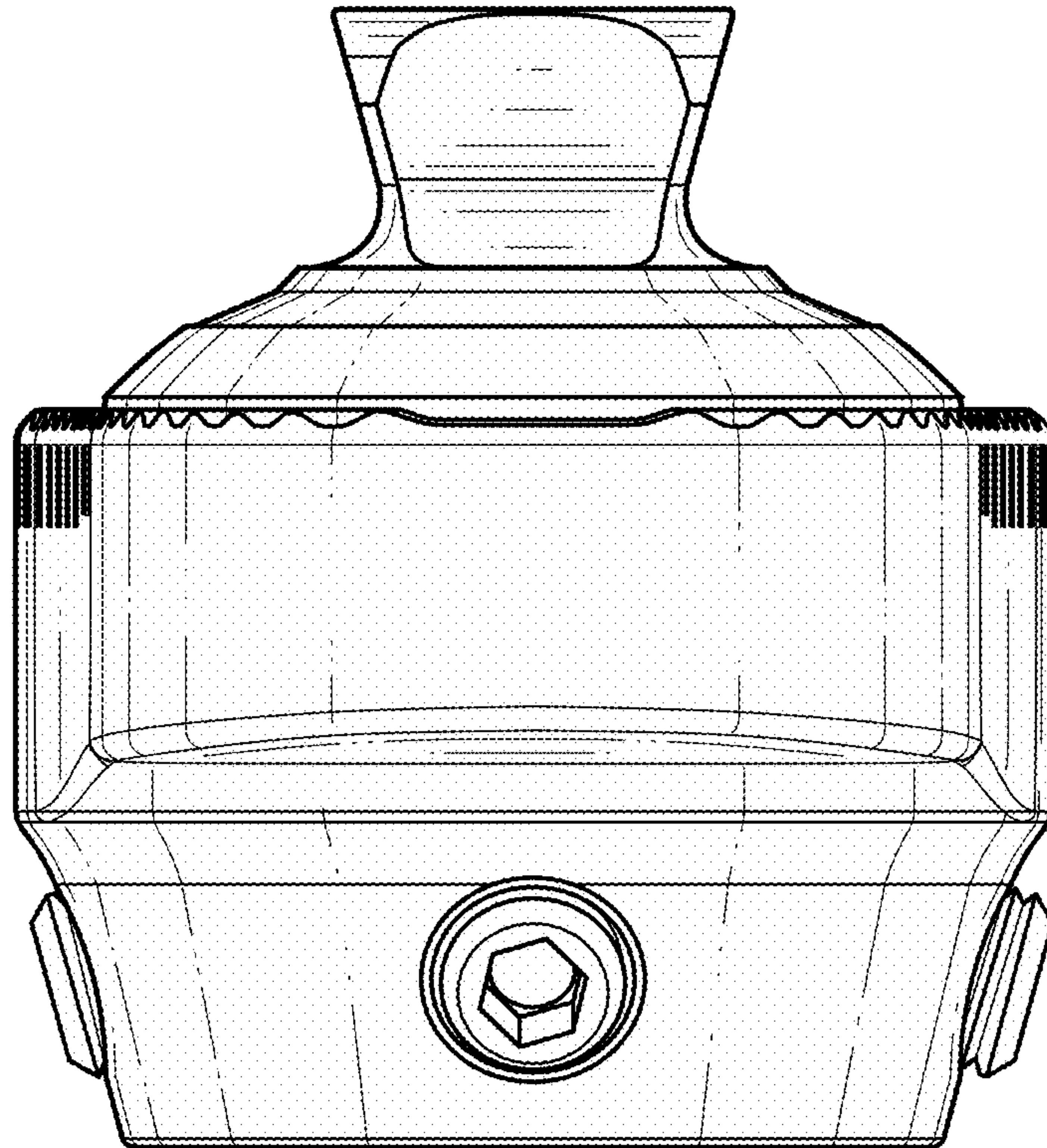
FIG. 1 is a perspective view of an adjustable adapter according to the present invention;  
FIG. 2 is a front view of the adjustable adapter of FIG. 1;  
FIG. 3 is a bottom view of the adjustable adapter of FIG. 1;  
FIG. 4 is a rear view of the adjustable adapter of FIG. 1;  
FIG. 5 is a left side view of the adjustable adapter of FIG. 1;  
FIG. 6 is a right side view of the adjustable adapter of FIG. 1;  
and,  
FIG. 7 is a top view of the adjustable adapter of FIG. 1.  
The broken lines shown represent unclaimed subject matter and form no part of the claimed design.

**1 Claim, 7 Drawing Sheets**



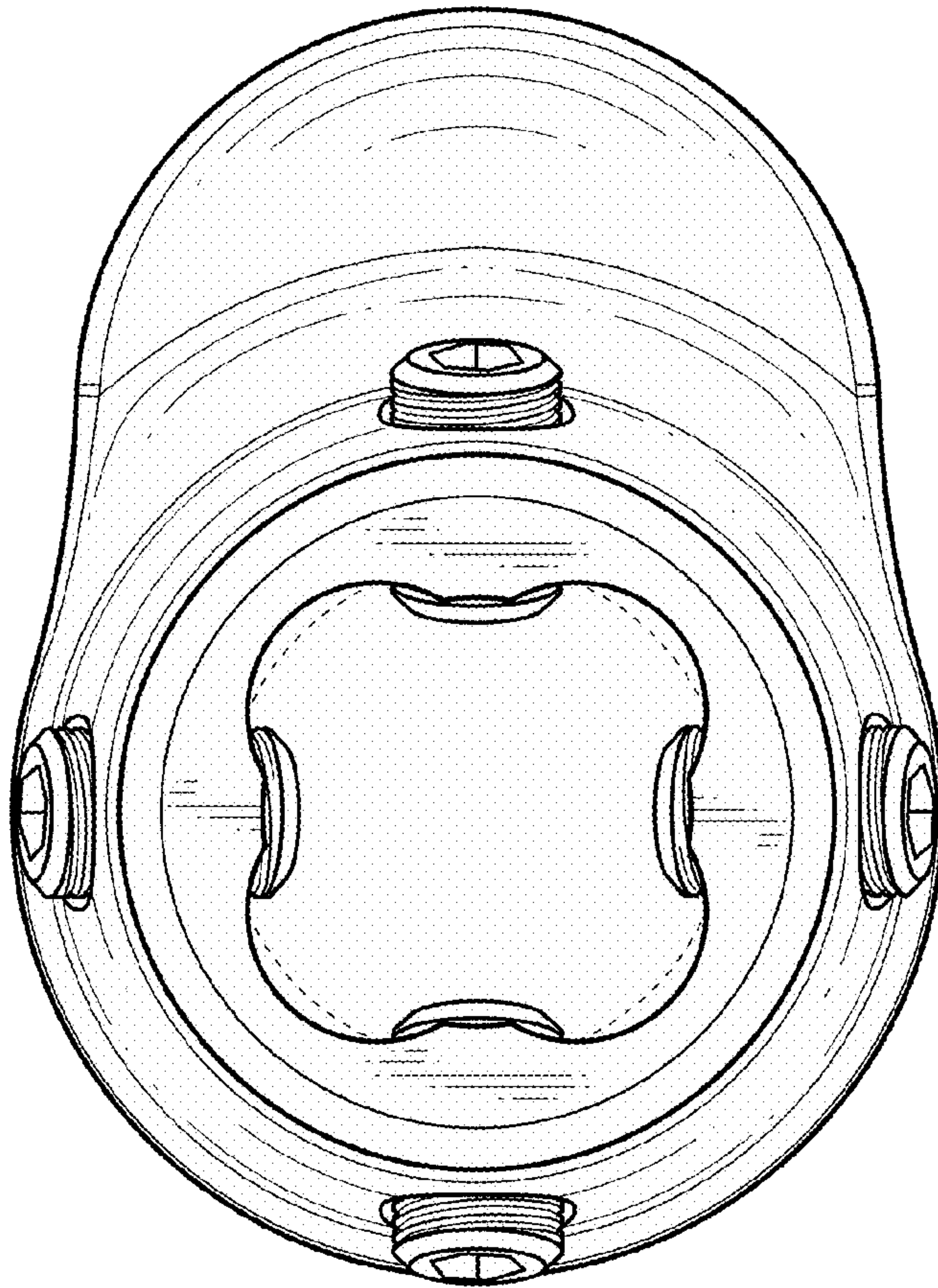


**FIG. 1**

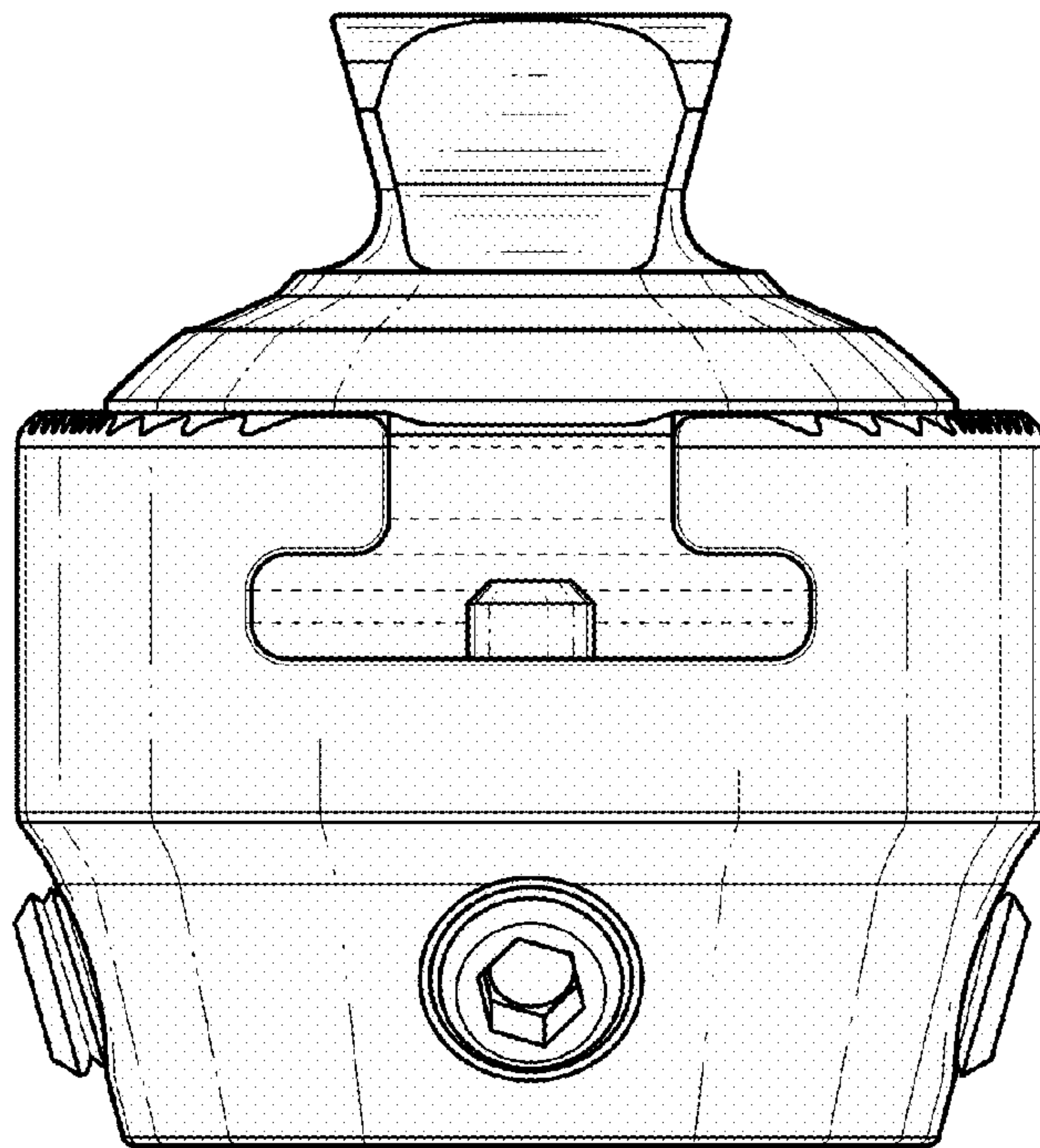


**FIG. 2**

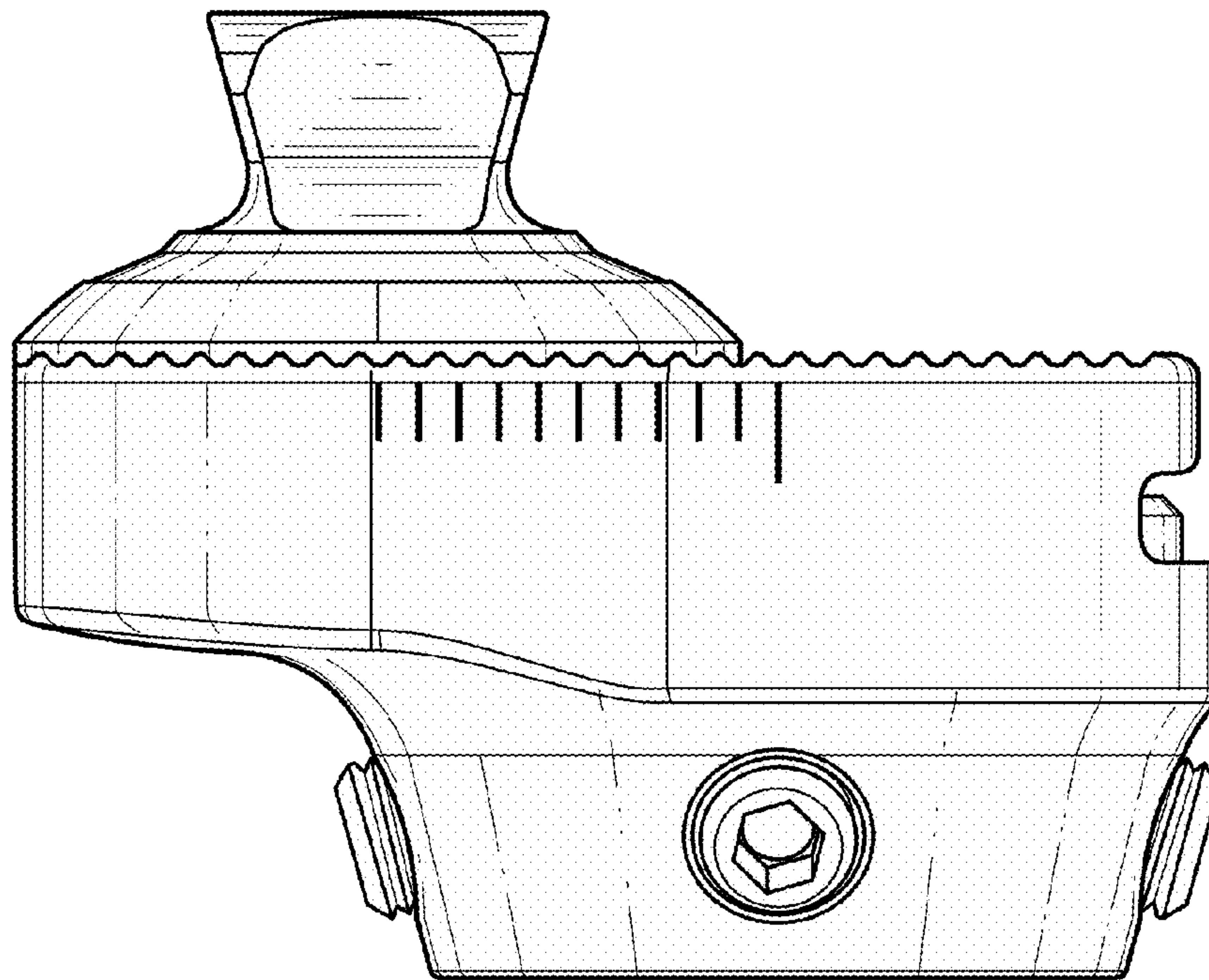




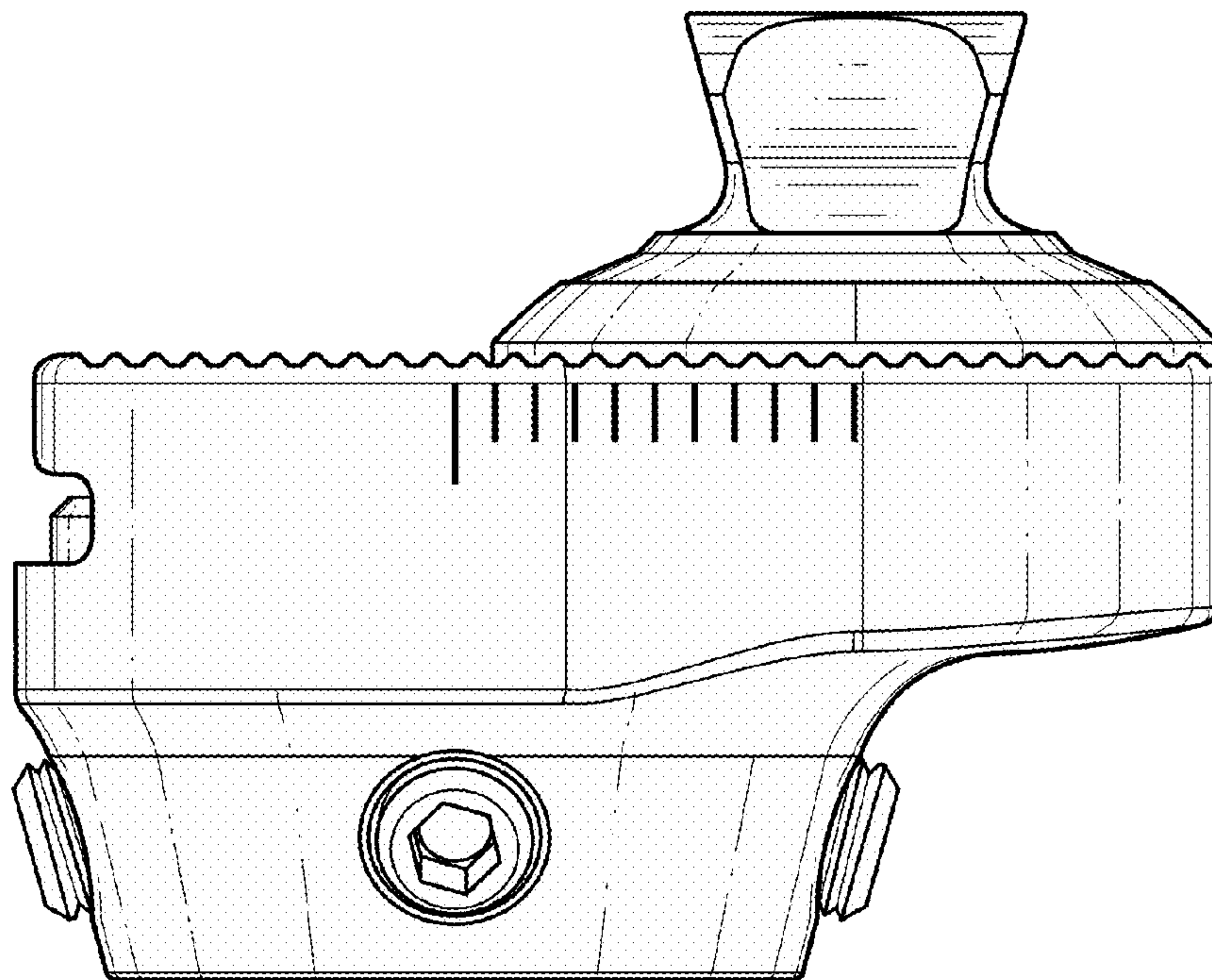
**FIG. 3**



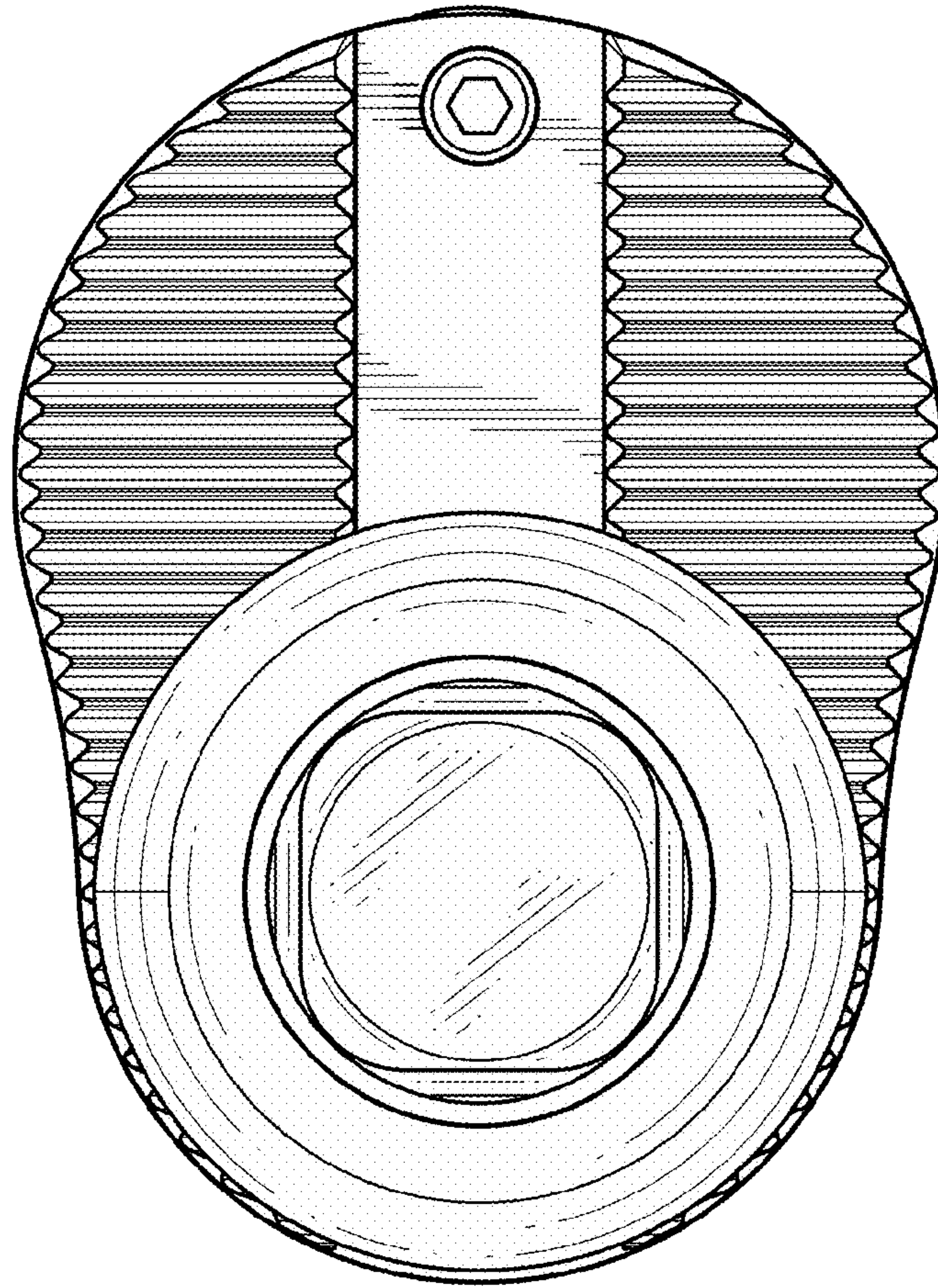
**FIG. 4**



**FIG. 5**



**FIG. 6**



**FIG. 7**