



US00D733882S

(12) **United States Design Patent**
Fregoso et al.

(10) **Patent No.:** **US D733,882 S**
(45) **Date of Patent:** **** Jul. 7, 2015**

(54) **MULTI-DIRECTIONAL TISSUE REAMER TIP**

(71) Applicant: **American Eagle Instruments, Inc.**,
Missoula, MT (US)

(72) Inventors: **Gilbert Fregoso**, Missoula, MT (US);
Yuval Charles Avniel, Missoula, MT
(US)

(73) Assignee: **American Eagle Instruments, Inc.**,
Missoula, MN (US)

(**) Term: **14 Years**

(21) Appl. No.: **29/483,574**

(22) Filed: **Feb. 28, 2014**

(51) **LOC (10) Cl.** **24-02**

(52) **U.S. Cl.**
USPC **D24/152**

(58) **Field of Classification Search**
USPC D24/152, 155-156, 176, 127, 133, 147,
D24/146; D8/86; D15/132, 138-139;
433/172-174, 3, 50, 53, 82, 114, 141,
433/165-166; 606/80, 96, 98; 408/209, 225
See application file for complete search history.

(56) **References Cited**

U.S. PATENT DOCUMENTS

3,322,124 A * 5/1967 Ireland 433/141
5,037,300 A * 8/1991 Weissman 433/166

(Continued)

Primary Examiner — Wan Laymon

(74) *Attorney, Agent, or Firm* — Heslin Rothenberg Farley
& Mesiti P.C.

(57) **CLAIM**

The ornamental design for a multi-directional tissue reamer tip, as shown and described.

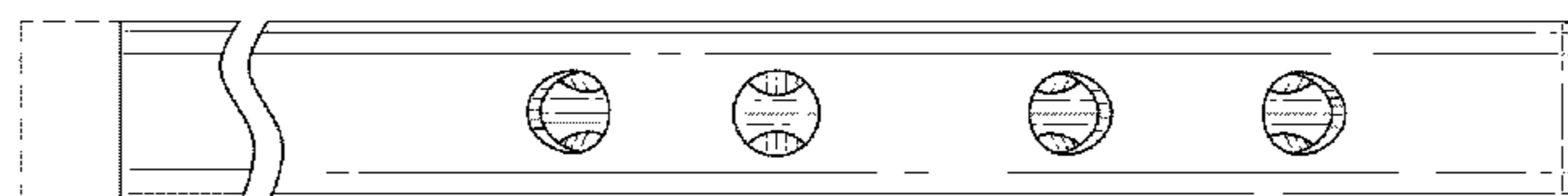
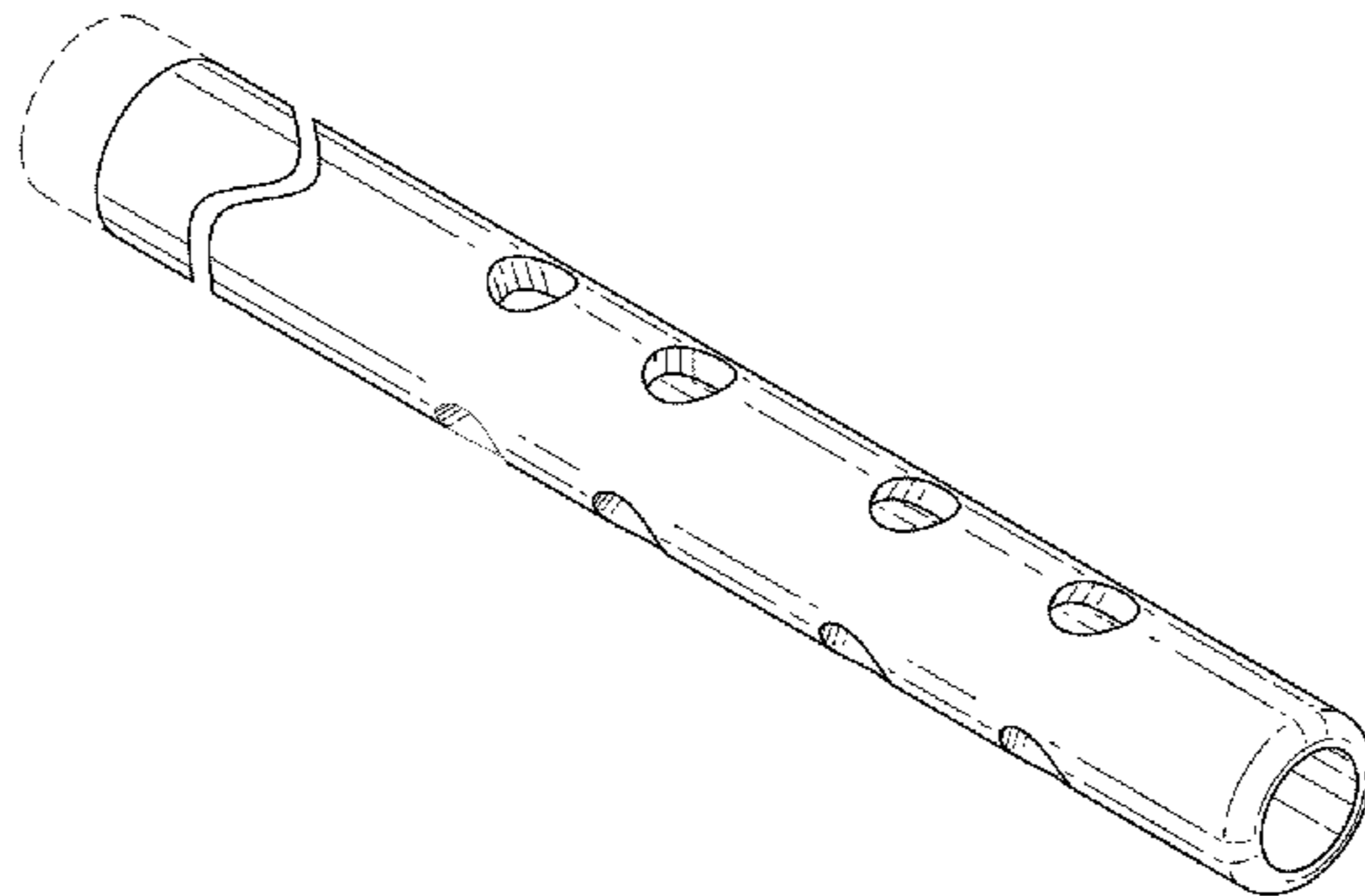
DESCRIPTION

FIG. 1 is a front perspective view of the multi-directional tissue reamer tip comprising the new design; FIG. 2 is a right elevational view of the design of FIG. 1, where the left elevational view is a mirror image; FIG. 3 is a top view of the design of FIG. 1; FIG. 4 is a bottom view of the design of FIG. 1; FIG. 5 is a front elevational view of the design of FIG. 1; FIG. 6 is a back elevational view of the design of FIG. 1; FIG. 7 is another perspective view of the multi-directional tissue reamer tip design of FIG. 1; FIG. 8 is a front perspective view of an alternative embodiment of the multi-directional tissue reamer tip of FIG. 1; FIG. 9 is a right elevational view of the design of FIG. 8, where the left elevational view is the mirror image; FIG. 10 is a top view of the design of FIG. 8; FIG. 11 is a bottom view of the design of FIG. 8; The front elevational and back elevational views of the multi-directional tissue reamer tip of FIG. 8 are identical to FIGS. 5 and 6, respectively; FIG. 12 is a front perspective view of an alternate embodiment of the multi-directional tissue reamer tip of FIG. 1; FIG. 13 is a right elevational view of the design of FIG. 12, where the left elevational view is the mirror image; FIG. 14 is a top view of the design of FIG. 12; and, FIG. 15 is a bottom view of the design of FIG. 12. The front elevational and back elevational views of the multi-directional tissue reamer tip of FIG. 12 are identical to FIGS. 5 and 6, respectively.

The broken away symbols in the drawings indicate that any portion of the article beyond what is shown forms no part of the claimed design.

The broken lines shown in the figures represent portions of the multi-directional tissue reamer tip that form no part of the claimed design.

1 Claim, 5 Drawing Sheets



(56)

References Cited

U.S. PATENT DOCUMENTS

5,076,788 A *	12/1991	Niznick	433/173	5,261,818 A *	11/1993	Shaw	433/165
5,195,892 A *	3/1993	Gersberg	433/174	5,556,280 A *	9/1996	Pelak	433/172
				D532,109 S *	11/2006	Carroll	D24/152
				8,113,833 B2 *	2/2012	Courvoisier	433/165

* cited by examiner

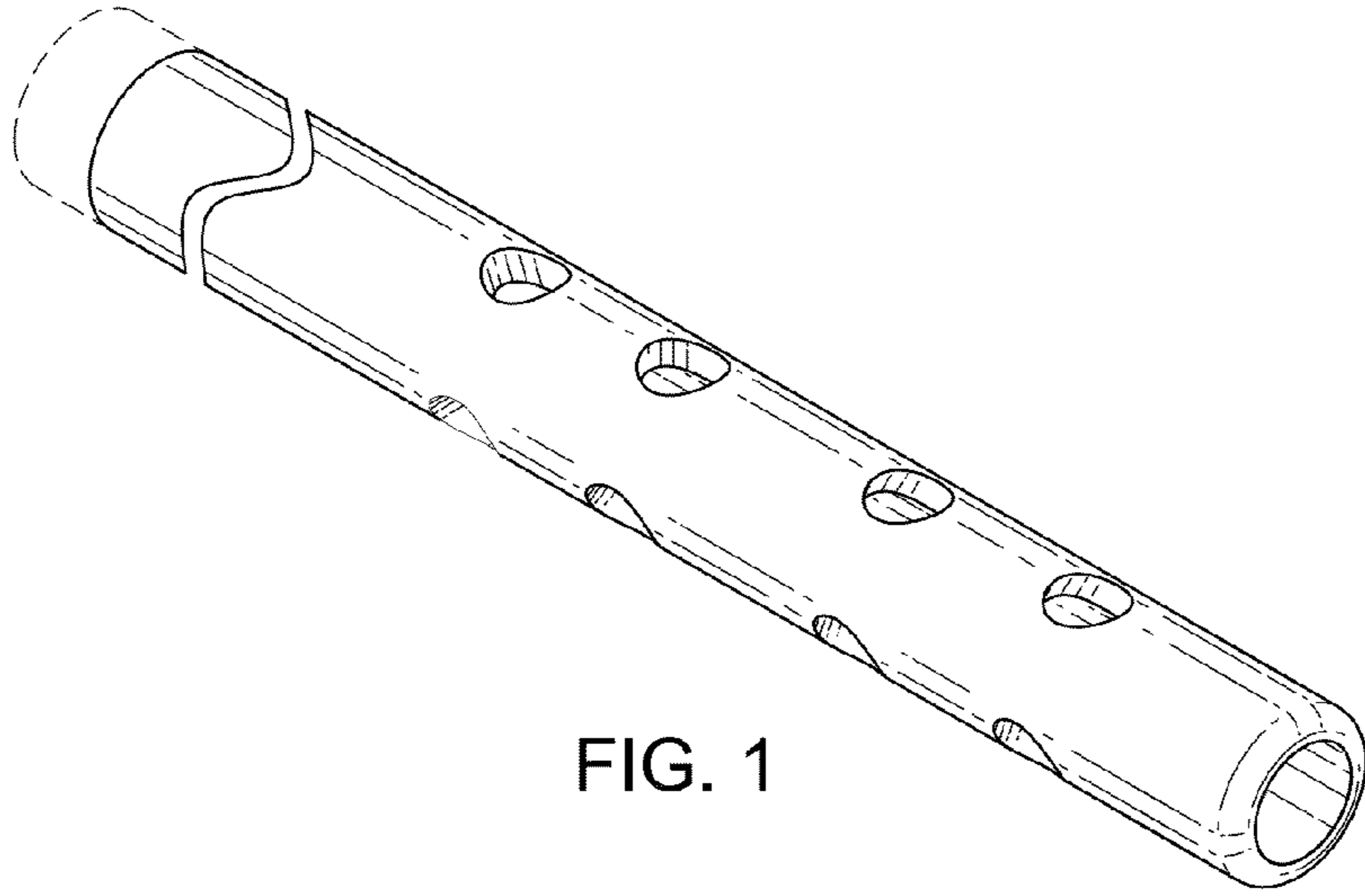


FIG. 1

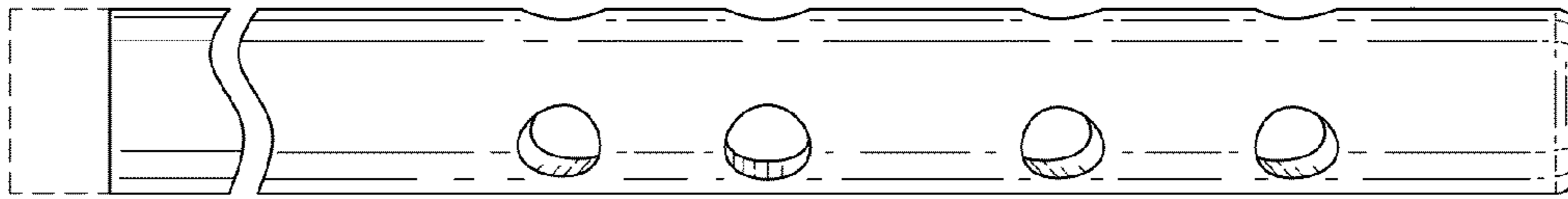


FIG. 2

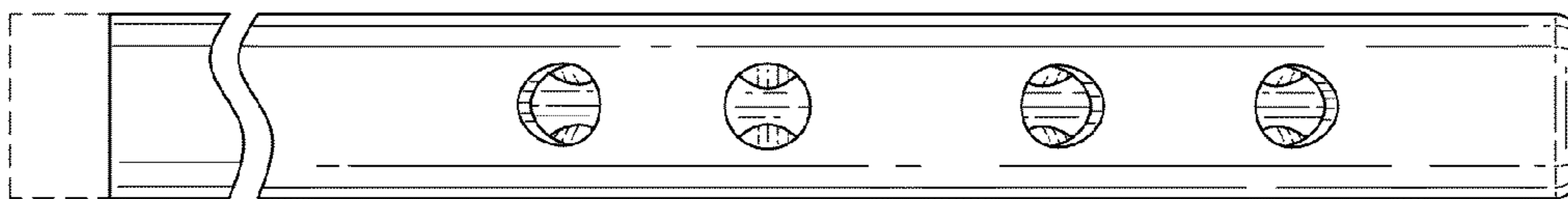


FIG. 3

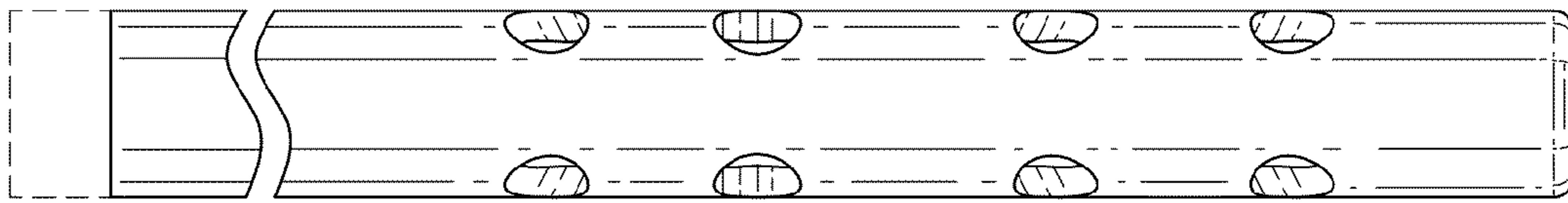


FIG. 4

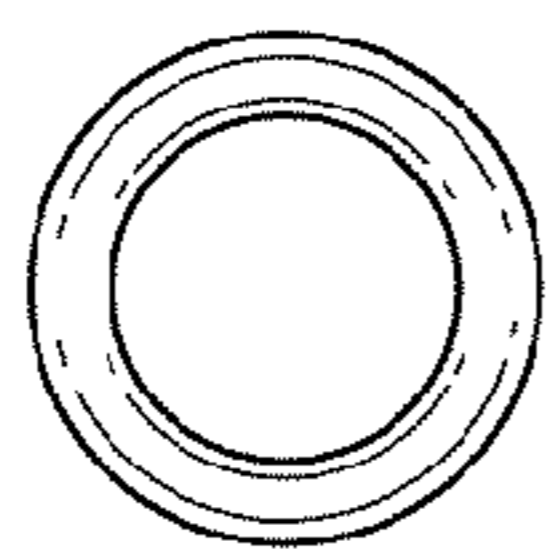


FIG. 5

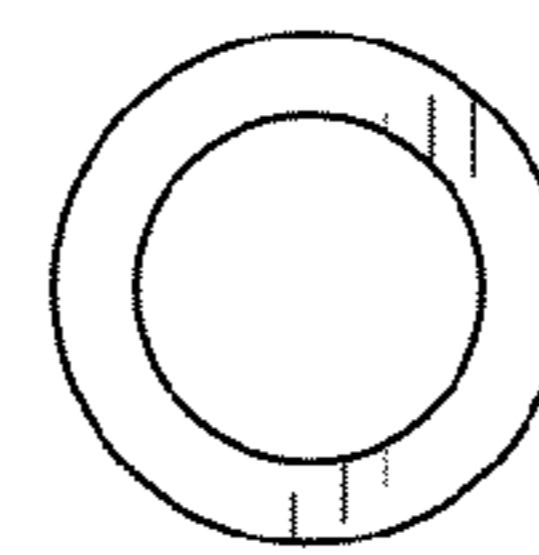


FIG. 6

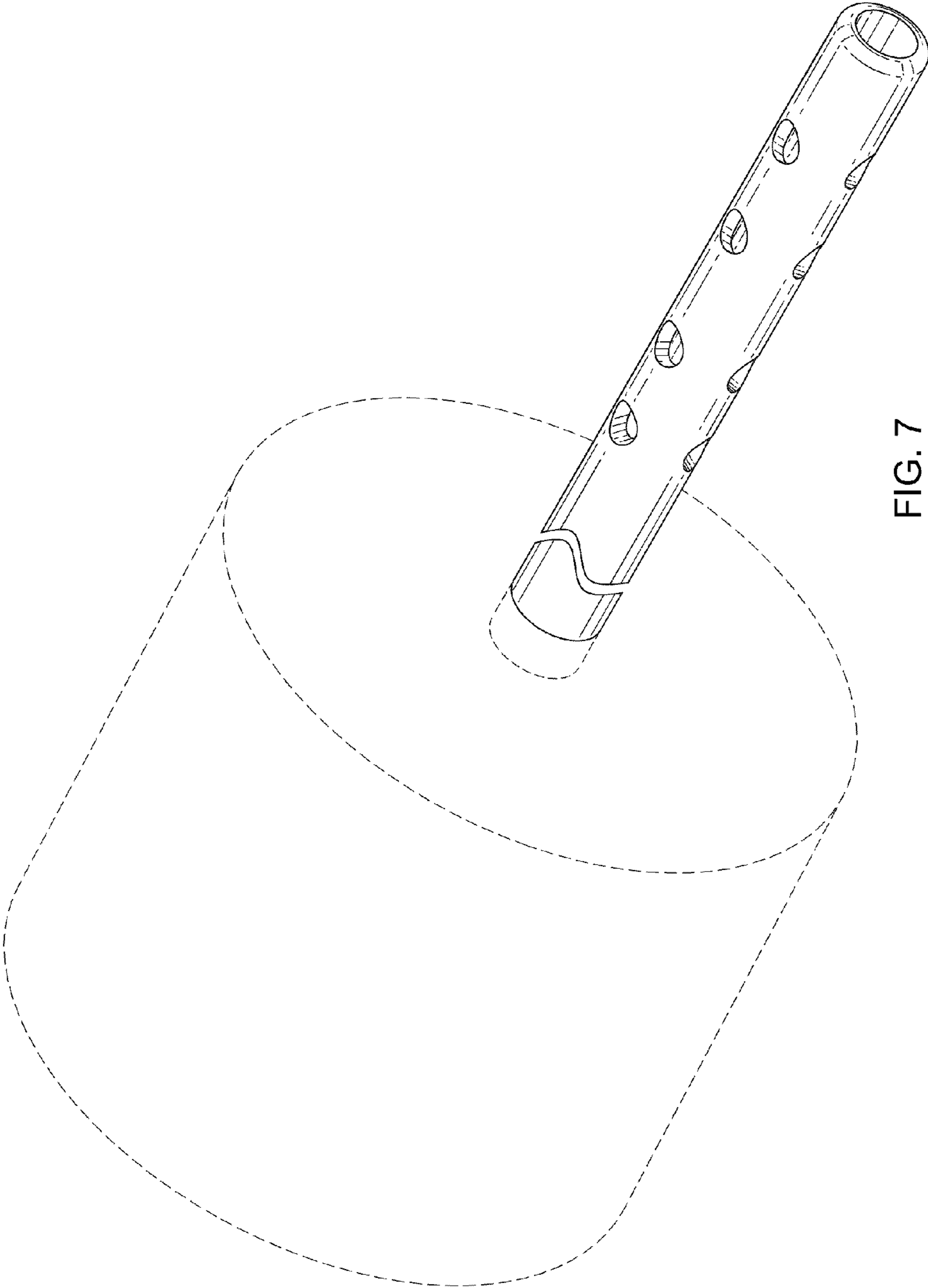


FIG. 7

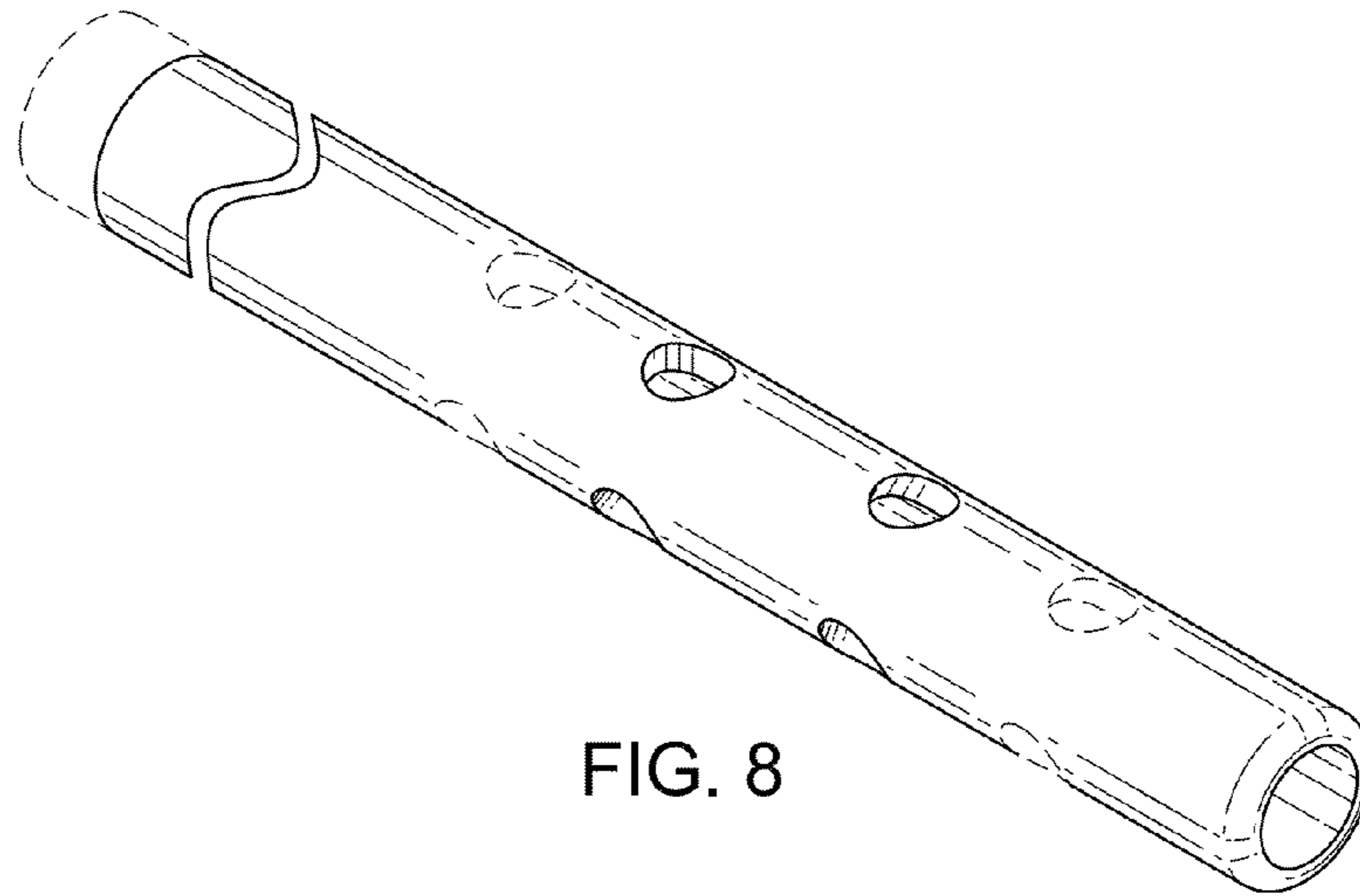


FIG. 8

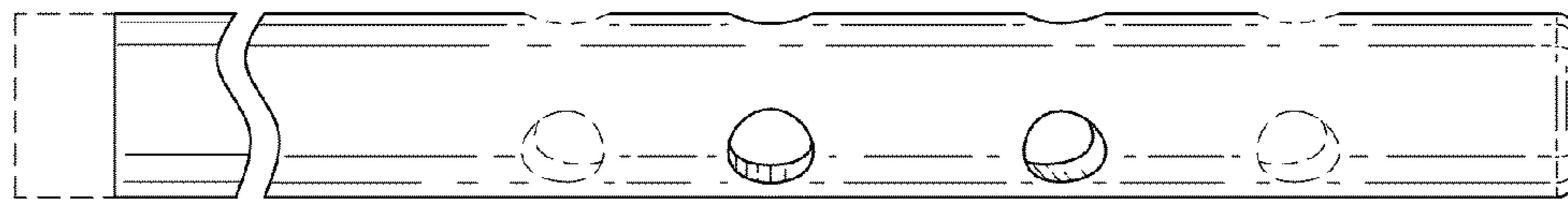


FIG. 9

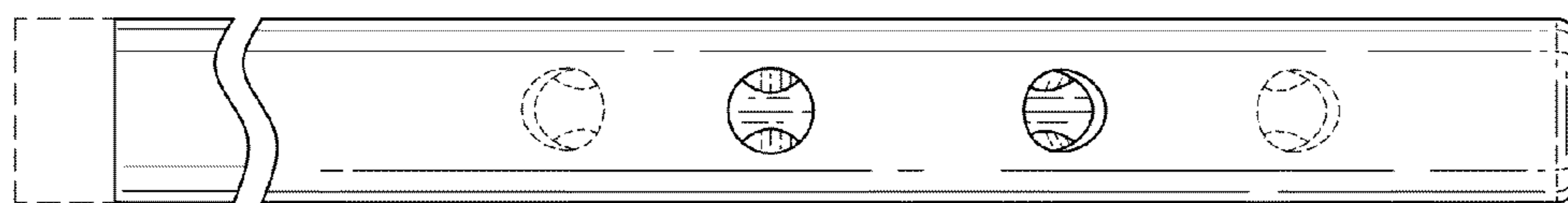


FIG. 10

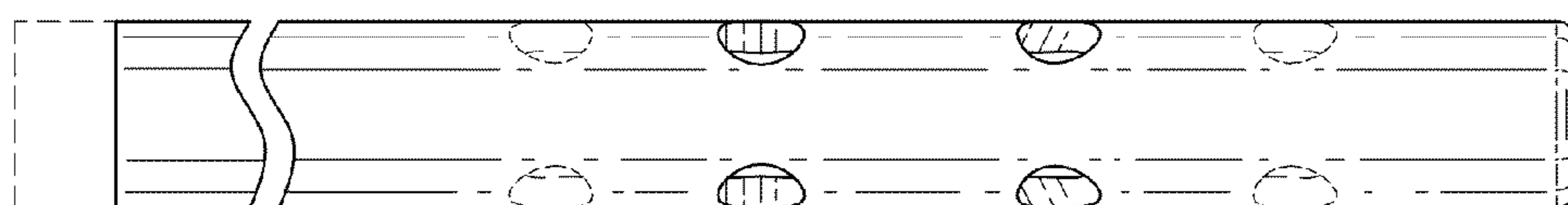


FIG. 11

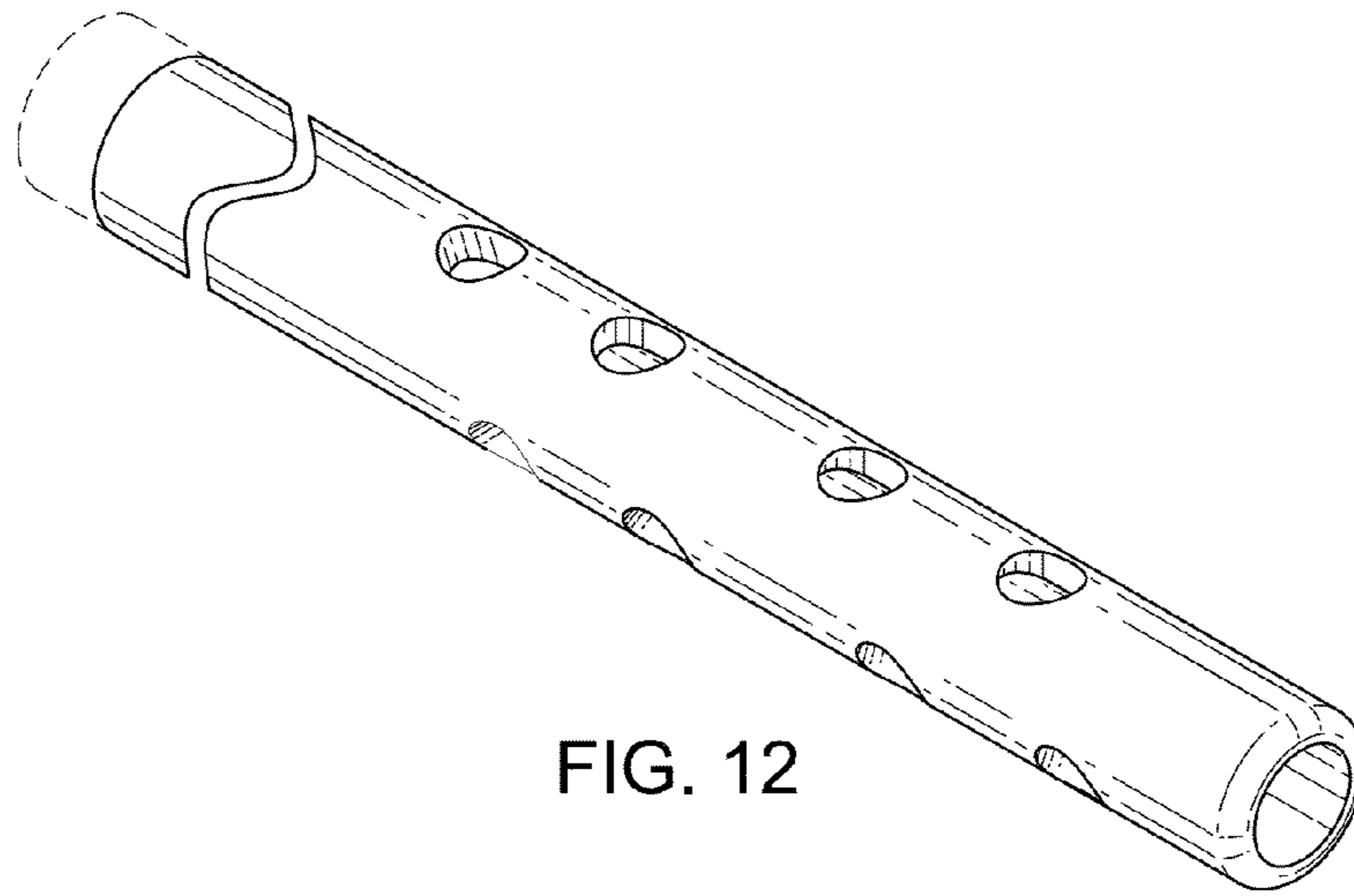


FIG. 12

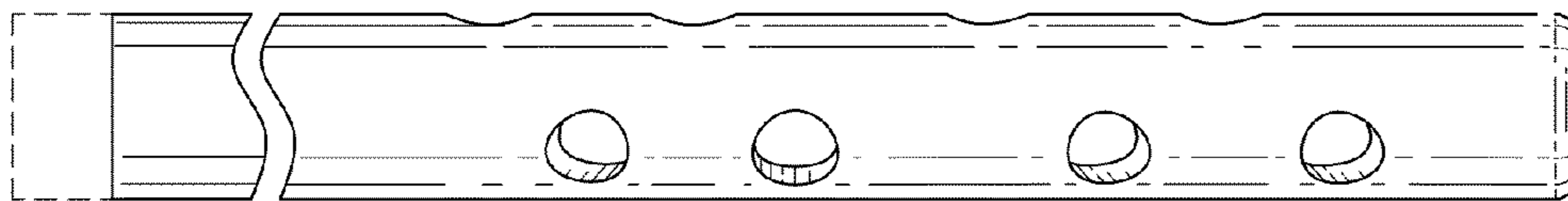


FIG. 13

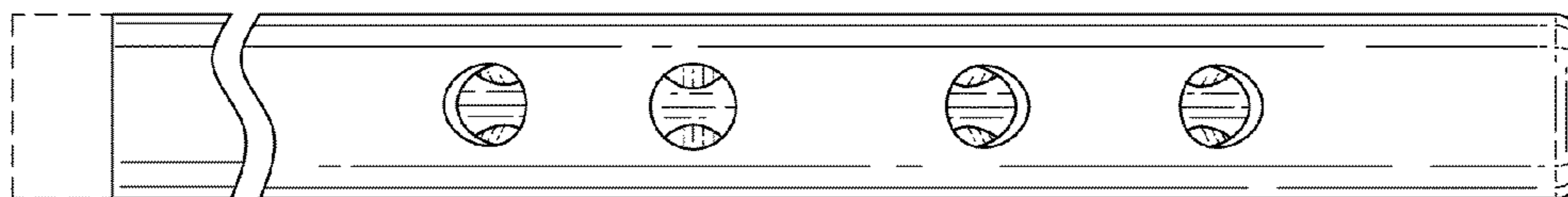


FIG. 14

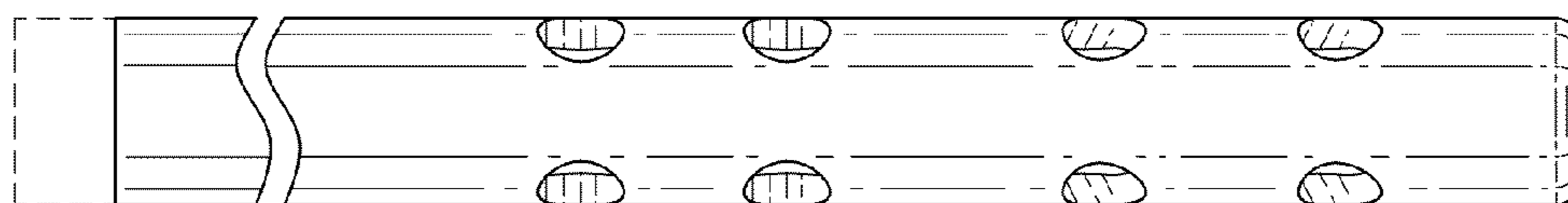


FIG. 15