



US00D733880S

(12) **United States Design Patent**  
**Mueller**

(10) **Patent No.:** **US D733,880 S**  
(45) **Date of Patent:** **\*\* Jul. 7, 2015**

(54) **SURGICAL TROCAR**

(71) Applicant: **KARL STORZ GmbH & Co. KG**,  
Tuttlingen (DE)

(72) Inventor: **Annika Mueller**, Geislingen (DE)

(73) Assignee: **KARL STORZ GmbH & Co. KG**,  
Tuttlingen (DE)

(\*\*) Term: **14 Years**

(21) Appl. No.: **29/508,954**

(22) Filed: **Nov. 12, 2014**

(30) **Foreign Application Priority Data**

May 12, 2014 (EM) ..... 002461954-0002  
May 12, 2014 (EM) ..... 002461954-0004  
May 12, 2014 (EM) ..... 002461954-0006

(51) **LOC (10) Cl.** ..... **24-02**

(52) **U.S. Cl.**  
USPC ..... **D24/147**

(58) **Field of Classification Search**

USPC ..... D7/649; D8/93, 97, 300, 310, 311, 313;  
D19/110, 115; D24/127, 130, 133,  
D24/146, 147, 148  
CPC ..... B26B 3/00; B26B 1/10; B26B 5/005;  
A61B 17/809; A61B 17/1617; A61B 17/3211;  
A61B 5/1411; A61B 17/3417  
See application file for complete search history.

(56) **References Cited**

**U.S. PATENT DOCUMENTS**

5,261,891 A 11/1993 Brinkerhoff et al.  
5,346,459 A 9/1994 Allen

(Continued)

*Primary Examiner* — Robert M Spear

*Assistant Examiner* — Marissa J Cash

(74) *Attorney, Agent, or Firm* — Muncy, Geissler, Olds &  
Lowe, P.C.

(57) **CLAIM**

The ornamental design for a surgical trocar, as shown and described.

**DESCRIPTION**

FIG. 1 is a bottom perspective view of a surgical trocar shown in an environment of use.

FIG. 2 is a front view of the surgical trocar of FIG. 1.

FIG. 3 is a rear view of the surgical trocar of FIG. 1.

FIG. 4 is a right side view of the surgical trocar of FIG. 1.

FIG. 5 is a left side view of the surgical trocar of FIG. 1.

FIG. 6 is a rear view of the surgical trocar of FIG. 1.

FIG. 7 is a front plan view of the surgical trocar of FIG. 1.

FIG. 8 is a bottom perspective view of a surgical trocar shown in an alternate environment of use.

FIG. 9 is a front view of the surgical trocar of FIG. 1.

FIG. 10 is a rear view of the surgical trocar of FIG. 1.

FIG. 11 is a right side view of the surgical trocar of FIG. 1.

FIG. 12 is a left side view of the surgical trocar of FIG. 1.

FIG. 13 is a rear view of the surgical trocar of FIG. 1.

FIG. 14 is a front plan view of the surgical trocar of FIG. 1.

FIG. 15 is a bottom perspective view of a surgical trocar shown in a second alternate environment of use.

FIG. 16 is a front view of the surgical trocar of FIG. 15.

FIG. 17 is a rear view of the surgical trocar of FIG. 15.

FIG. 18 is a right side view of the surgical trocar of FIG. 15.

FIG. 19 is a left side view of the surgical trocar of FIG. 15.

FIG. 20 is a rear view of the surgical trocar of FIG. 15.

FIG. 21 is a front plan view of the surgical trocar of FIG. 15.

FIG. 22 is a bottom perspective view of a surgical trocar.

FIG. 23 is a front view of the surgical trocar of FIG. 22.

FIG. 24 is a rear view of the surgical trocar of FIG. 22.

FIG. 25 is a right side view of the surgical trocar of FIG. 22.

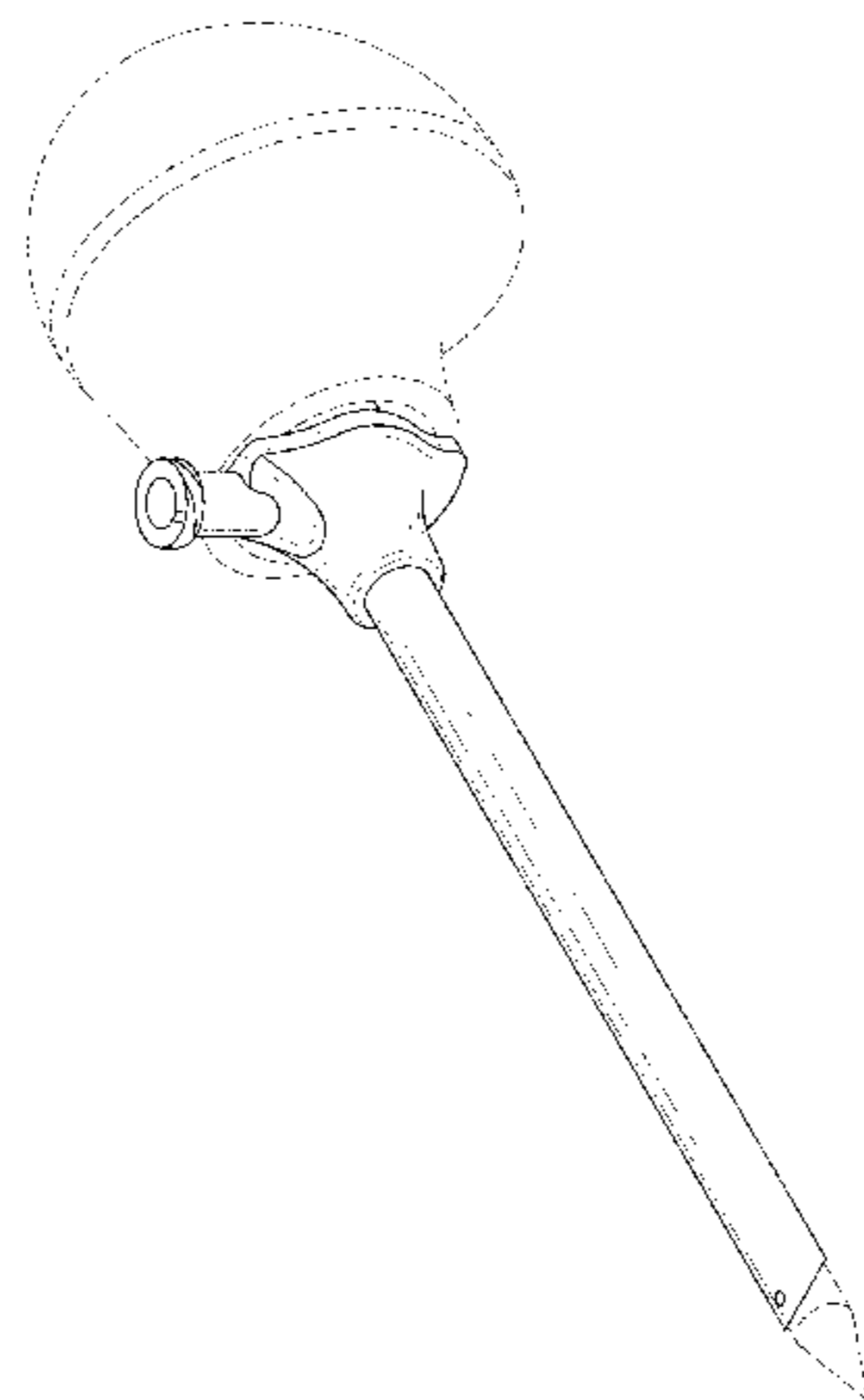
FIG. 26 is a left side view of the surgical trocar of FIG. 22.

FIG. 27 is a rear view of the surgical trocar of FIG. 22; and,

FIG. 28 is a front plan view of the surgical trocar of FIG. 22.

The dashed lines illustrate environment that does not form a part of the present invention, and no claim is made to the material illustrated with dashed lines.

**1 Claim, 24 Drawing Sheets**



(56)

**References Cited**

U.S. PATENT DOCUMENTS

D358,209 S 5/1995 Petruschke et al.  
D362,066 S \* 9/1995 Petruschke et al. .... D24/146  
5,772,678 A \* 6/1998 Thomason et al. .... 606/185  
D495,053 S 8/2004 Laun  
D496,729 S \* 9/2004 Pajunk et al. .... D24/146  
D552,733 S \* 10/2007 Criscuolo et al. .... D24/146

D559,387 S \* 1/2008 Wing et al. .... D24/146  
D603,046 S \* 10/2009 Frey ..... D24/146  
D700,326 S \* 2/2014 Minnelli et al. .... D24/146  
D724,200 S \* 3/2015 Brannon ..... D24/112  
D726,907 S \* 4/2015 Trump ..... D24/130  
2004/0260244 A1 \* 12/2004 Piechowicz et al. .... 604/167.06  
2005/0070946 A1 \* 3/2005 Franer et al. .... 606/185  
2006/0264992 A1 \* 11/2006 Franer et al. .... 606/167  
2012/0136381 A1 \* 5/2012 Morrison et al. .... 606/185

\* cited by examiner

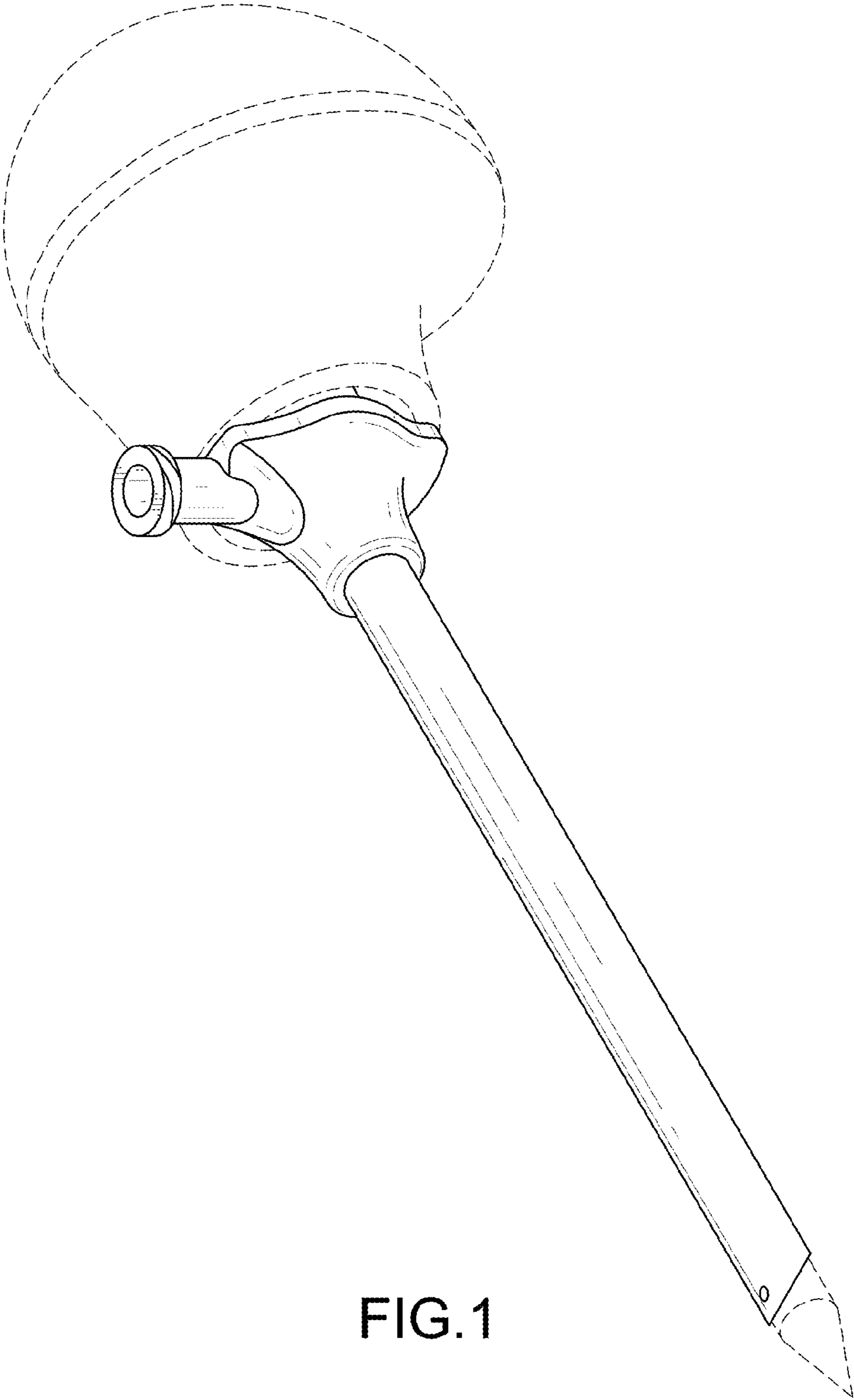


FIG. 1

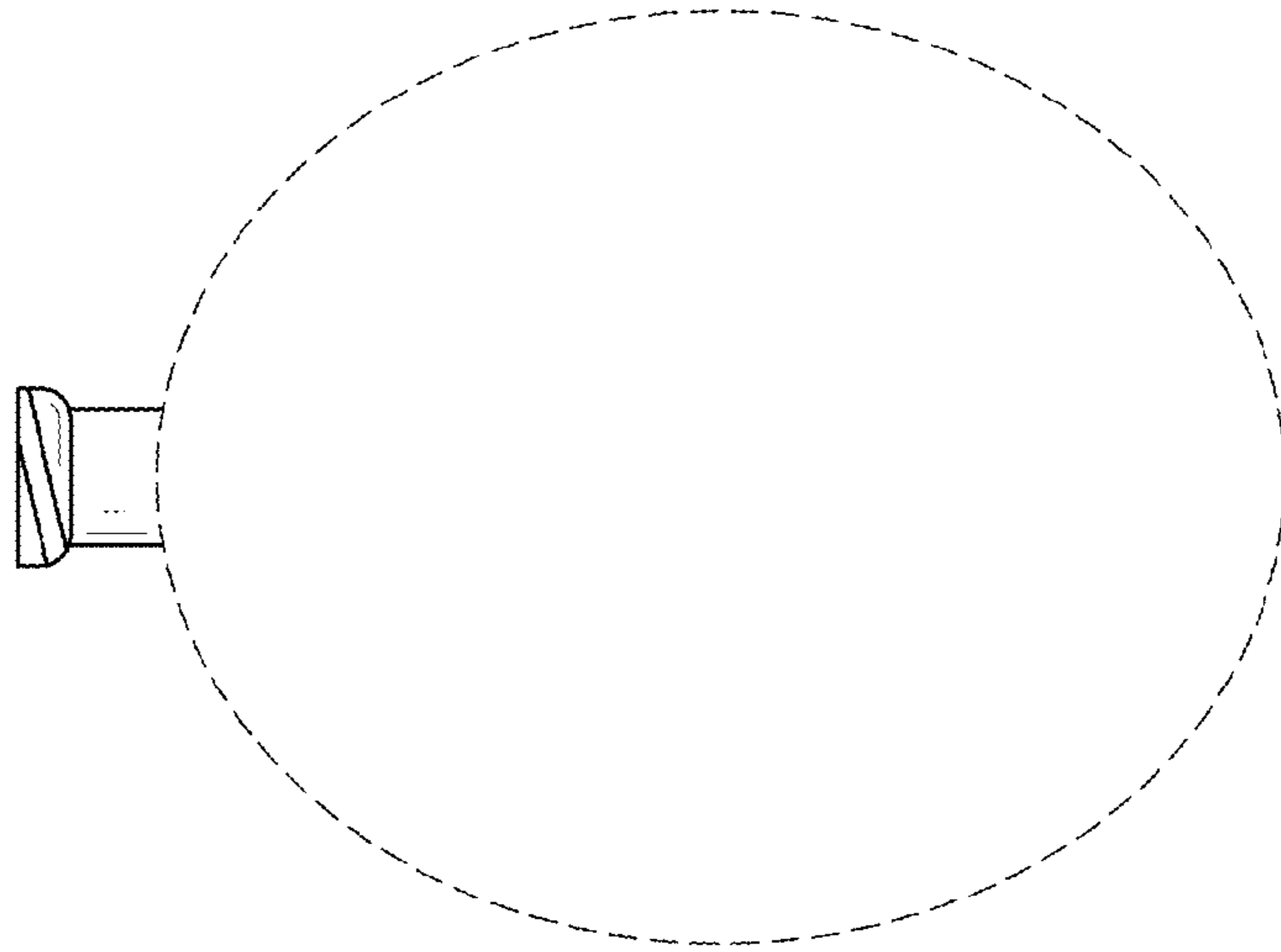


FIG. 2

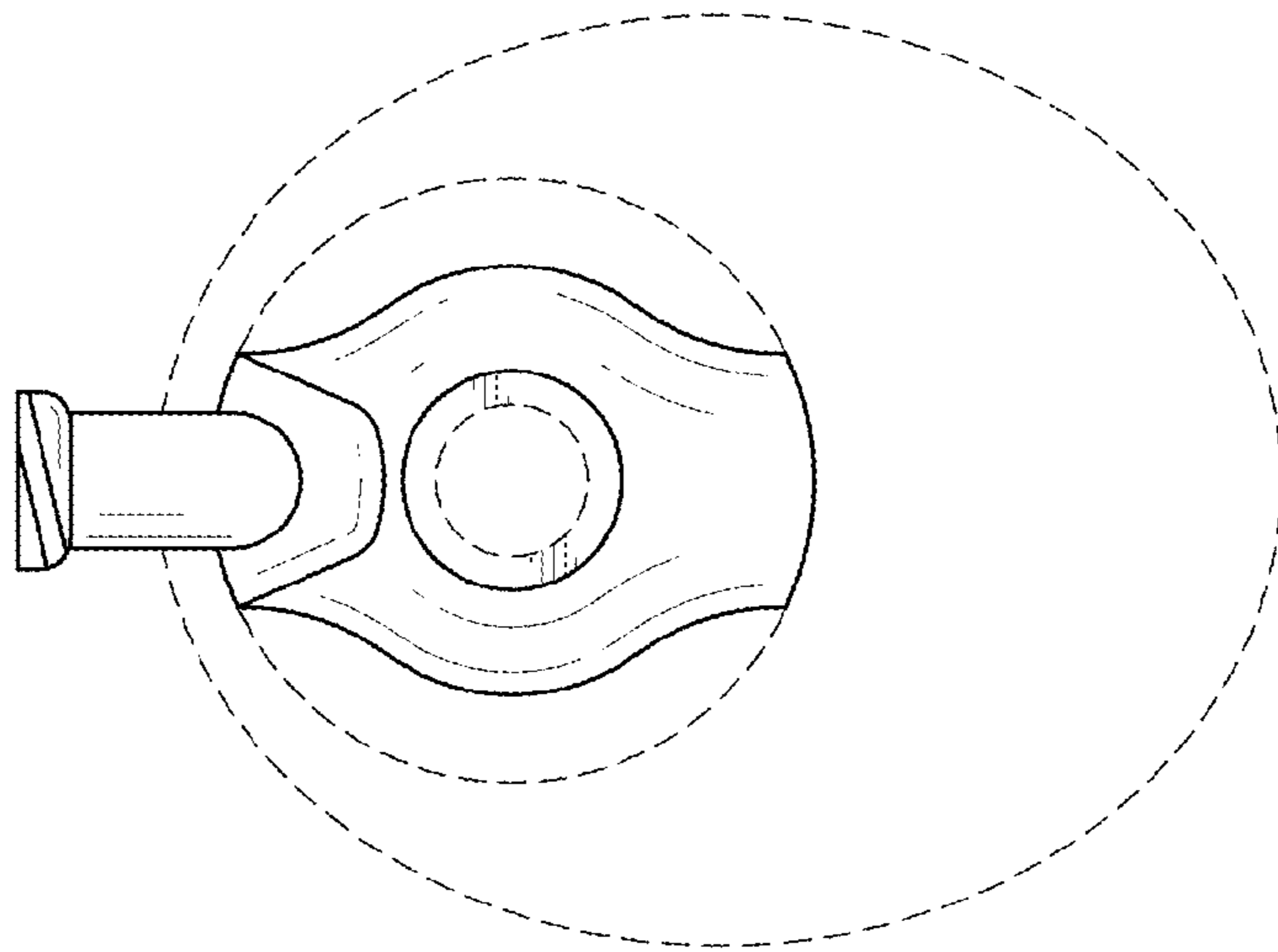


FIG. 3

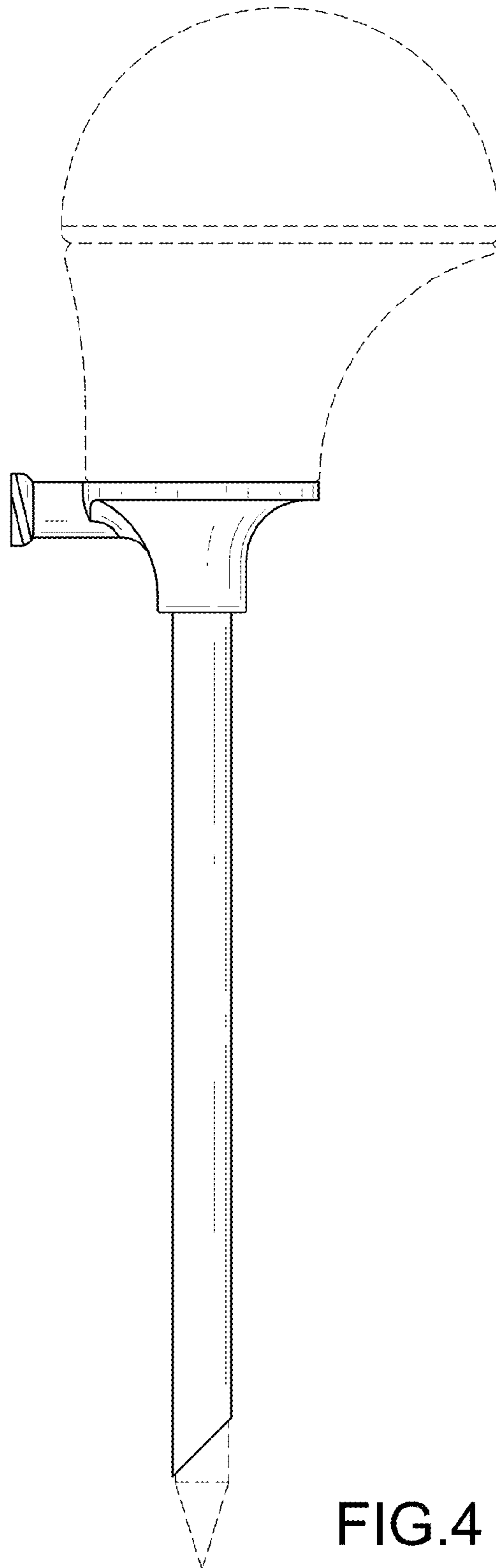


FIG.4

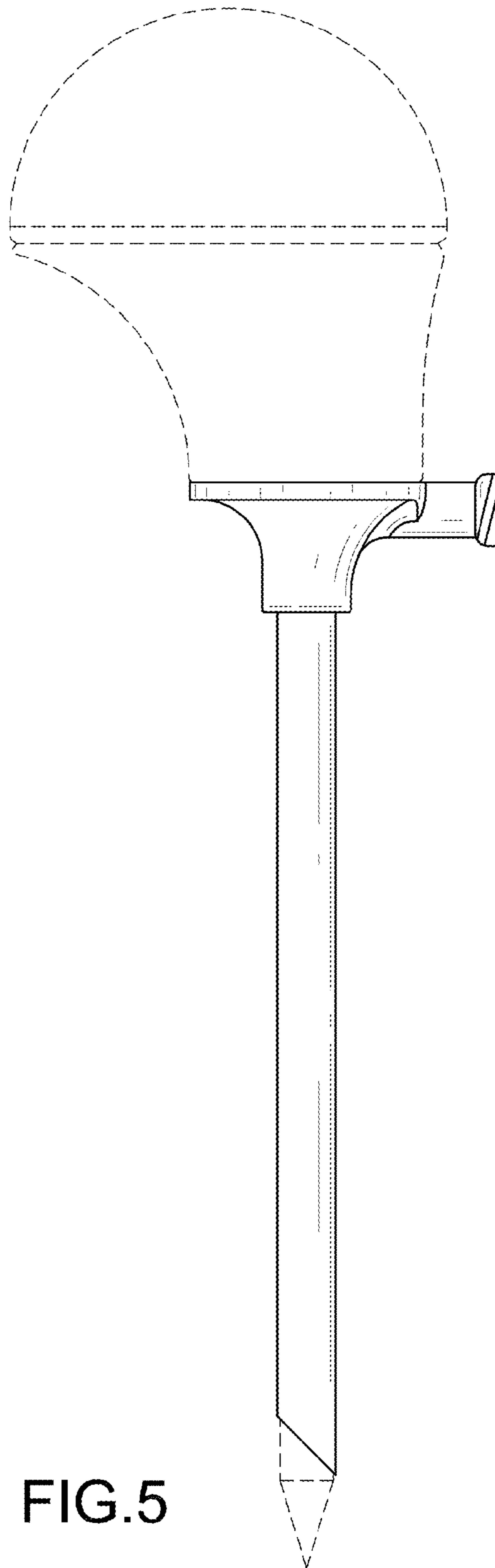


FIG.5

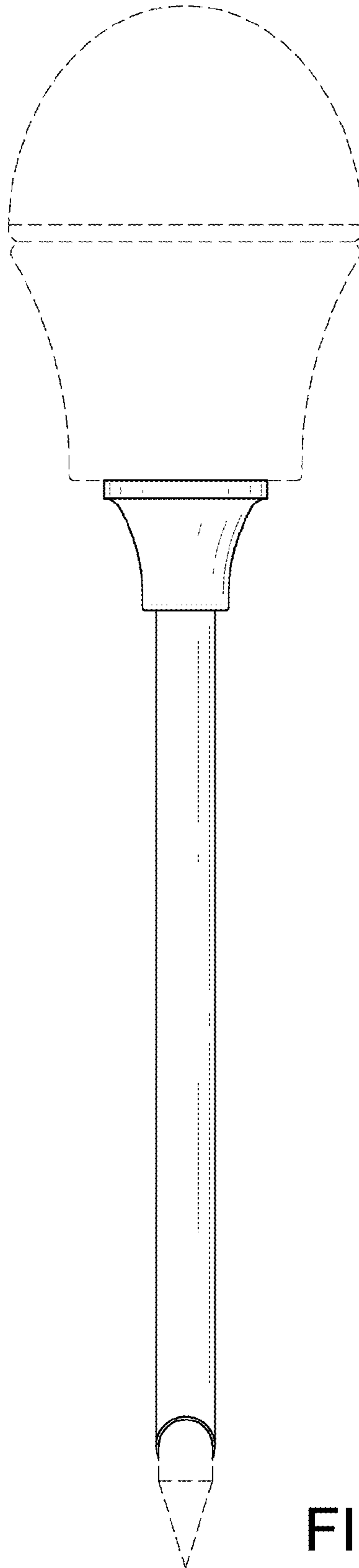


FIG.6

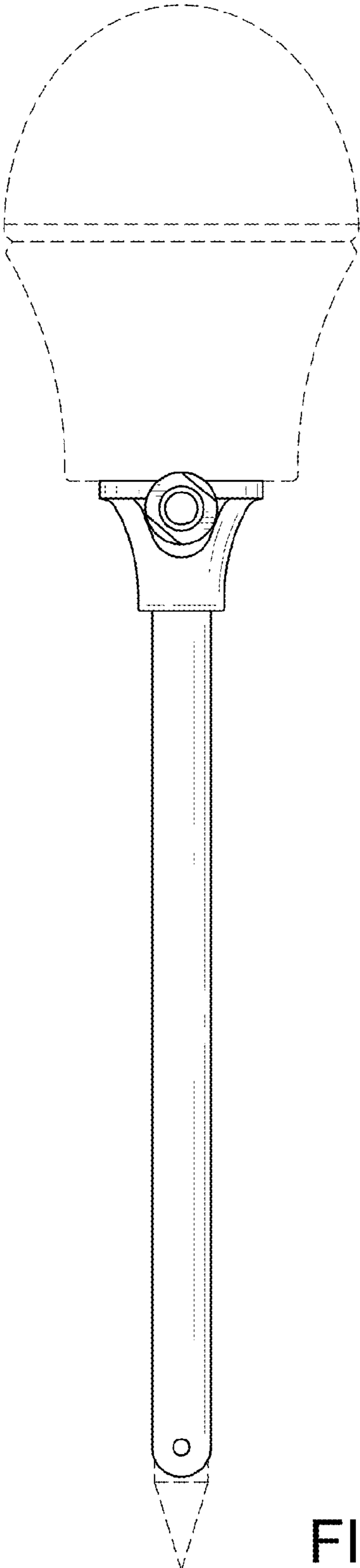


FIG.7



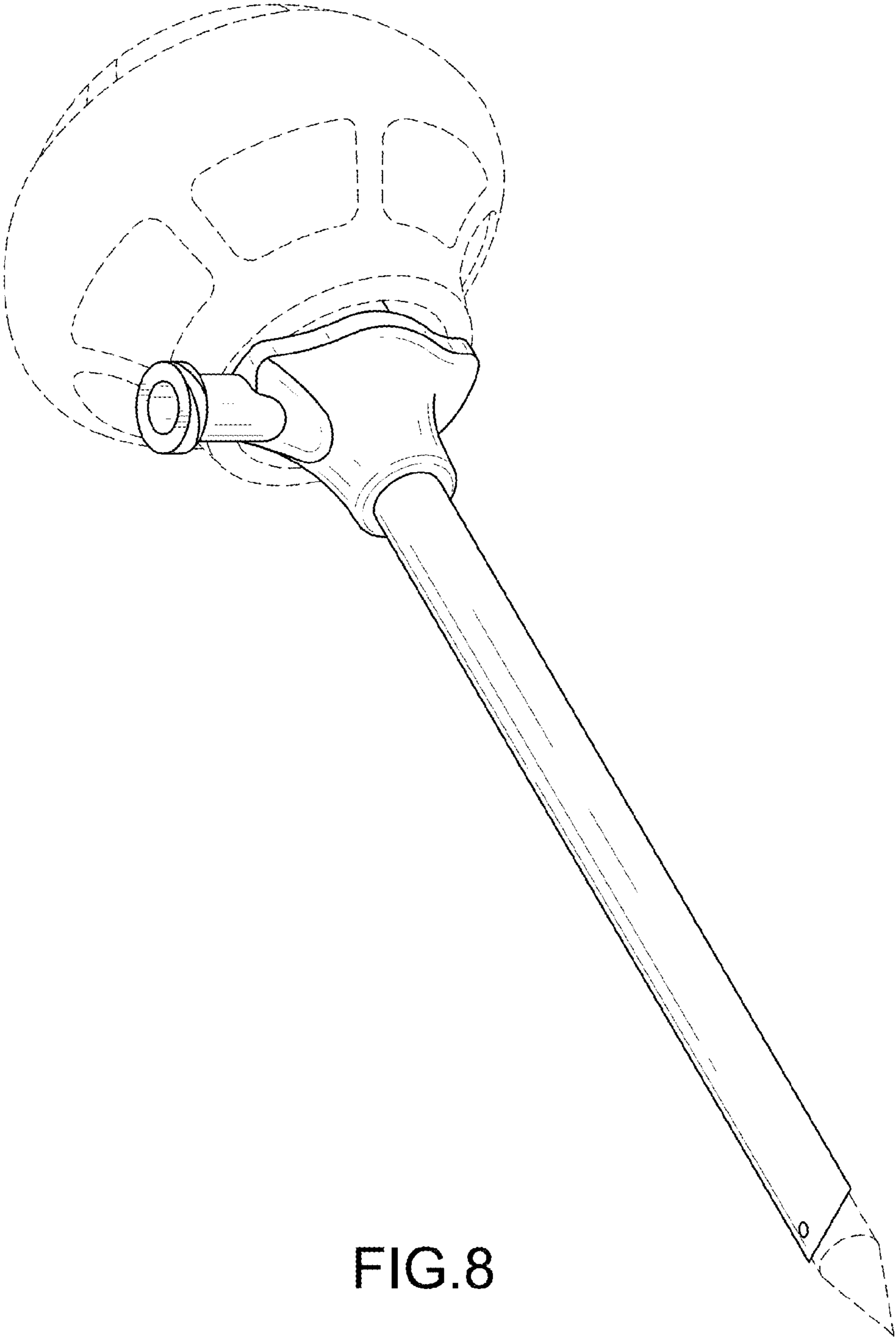


FIG.8

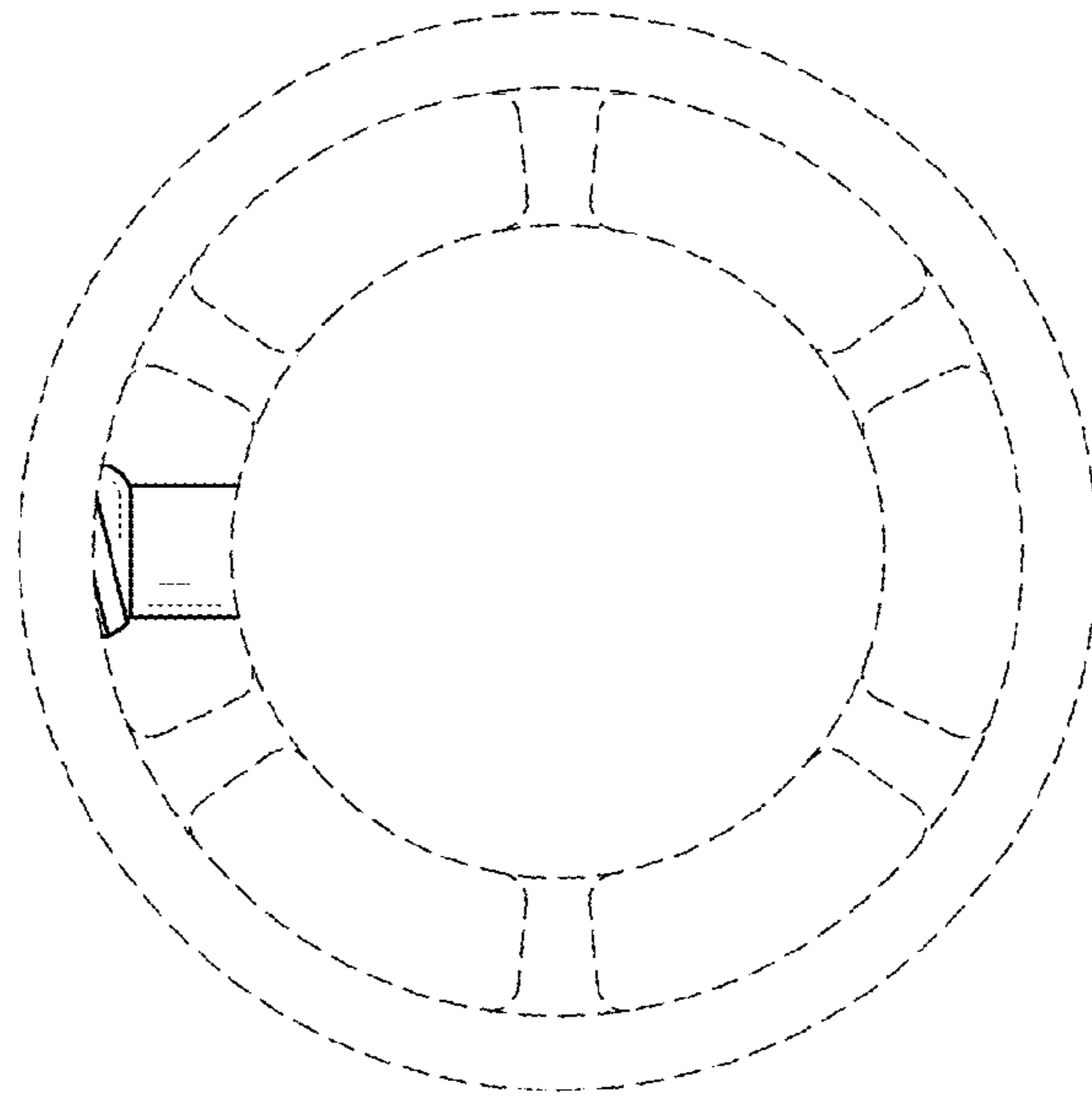


FIG. 9

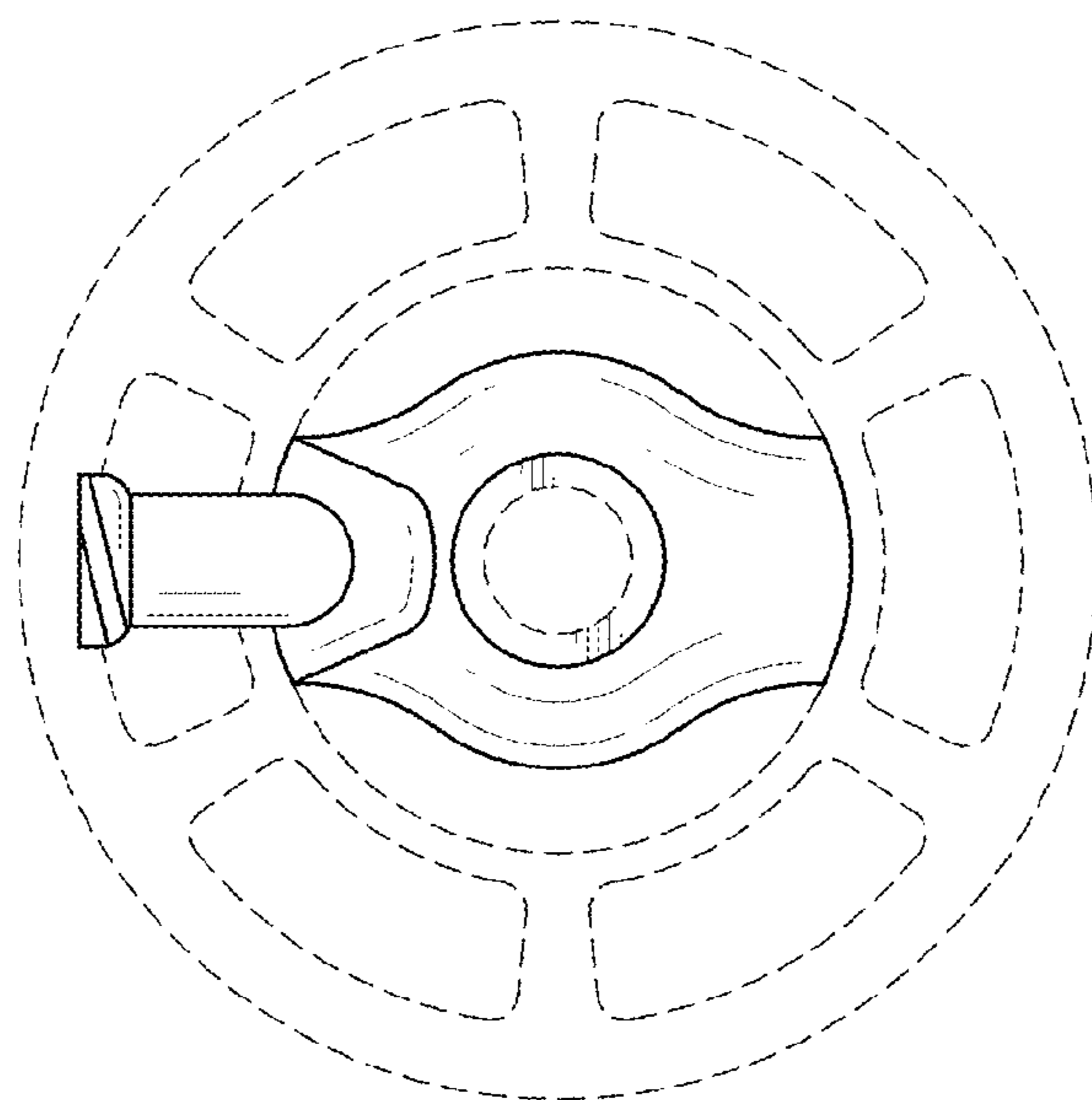


FIG. 10

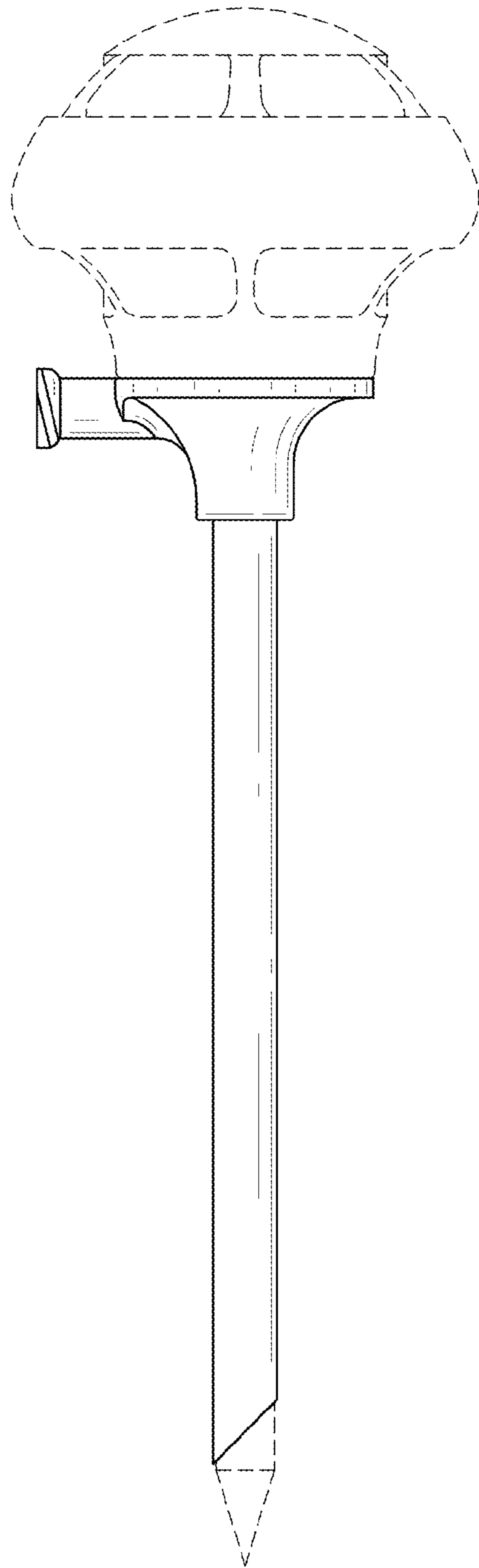


FIG.11

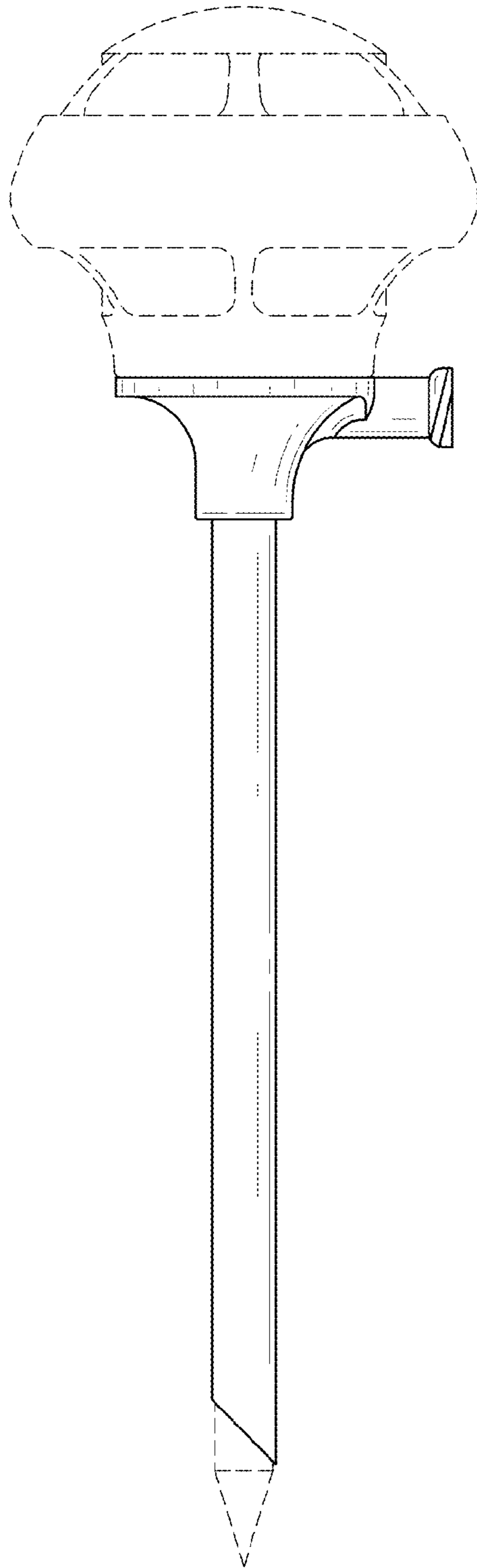


FIG.12

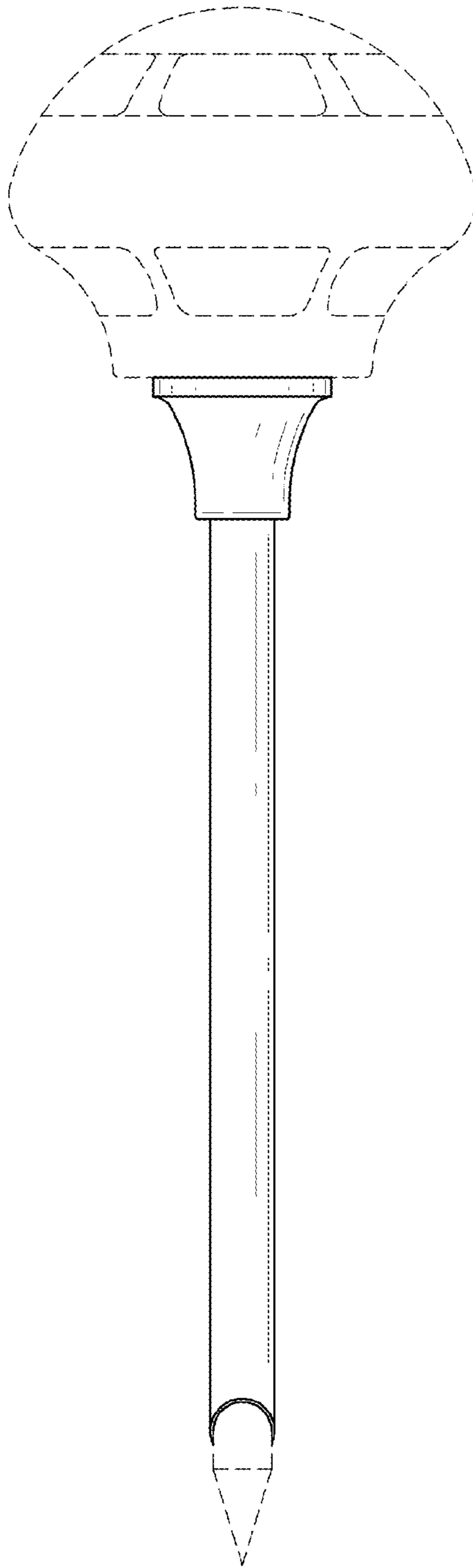


FIG. 13

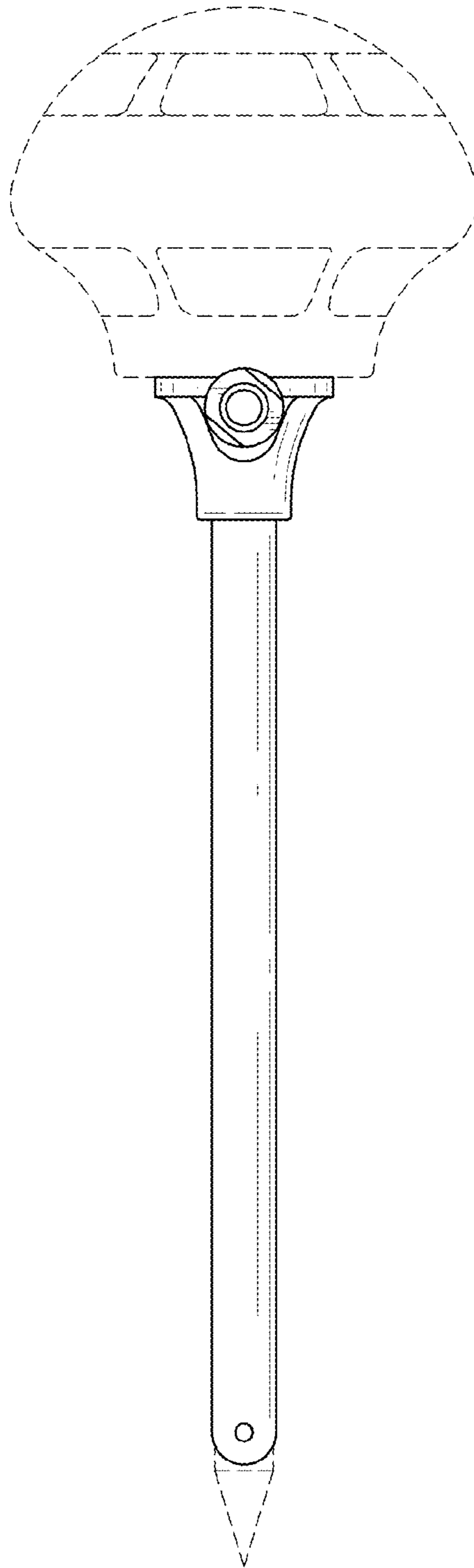


FIG.14

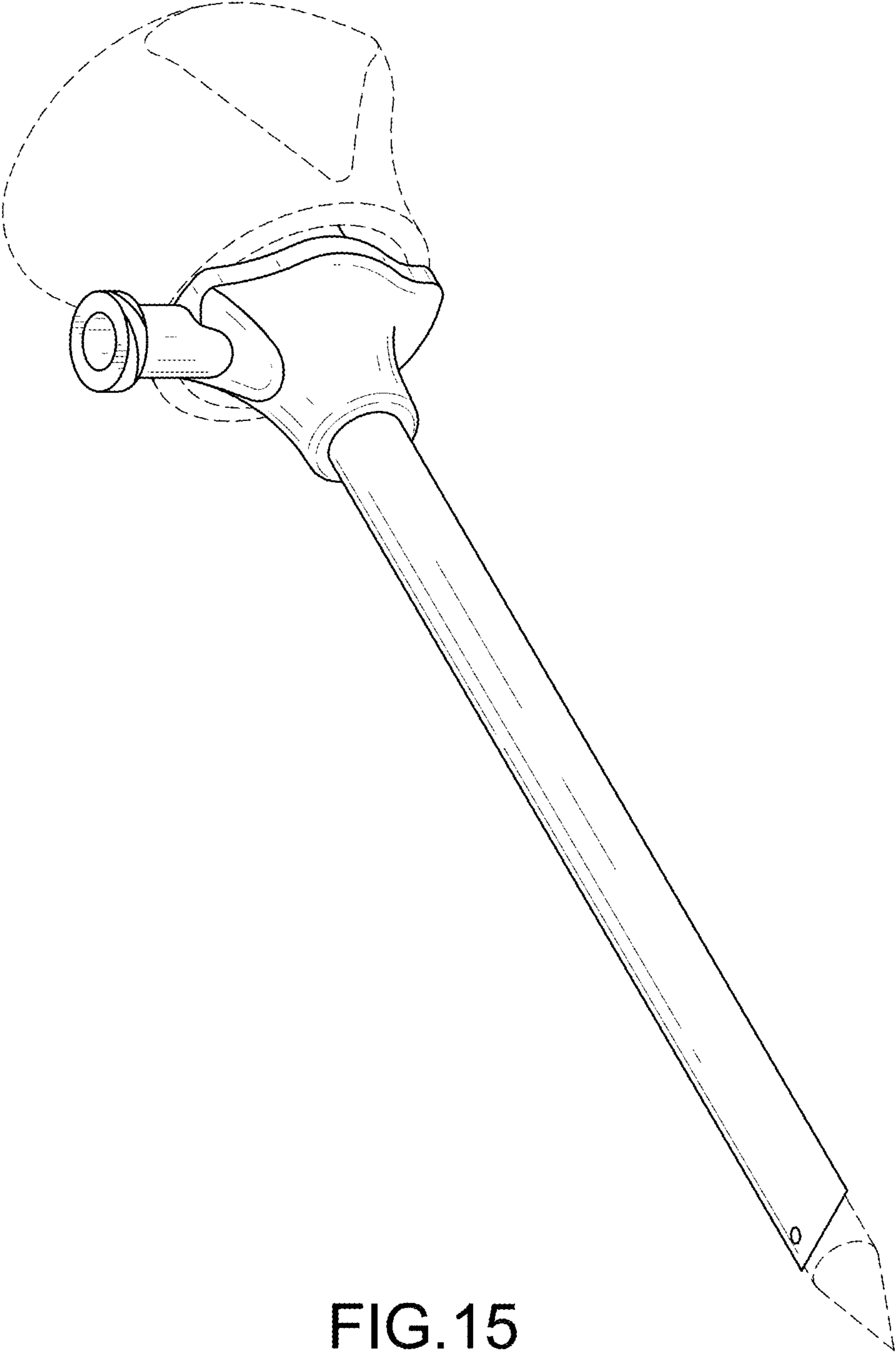


FIG.15

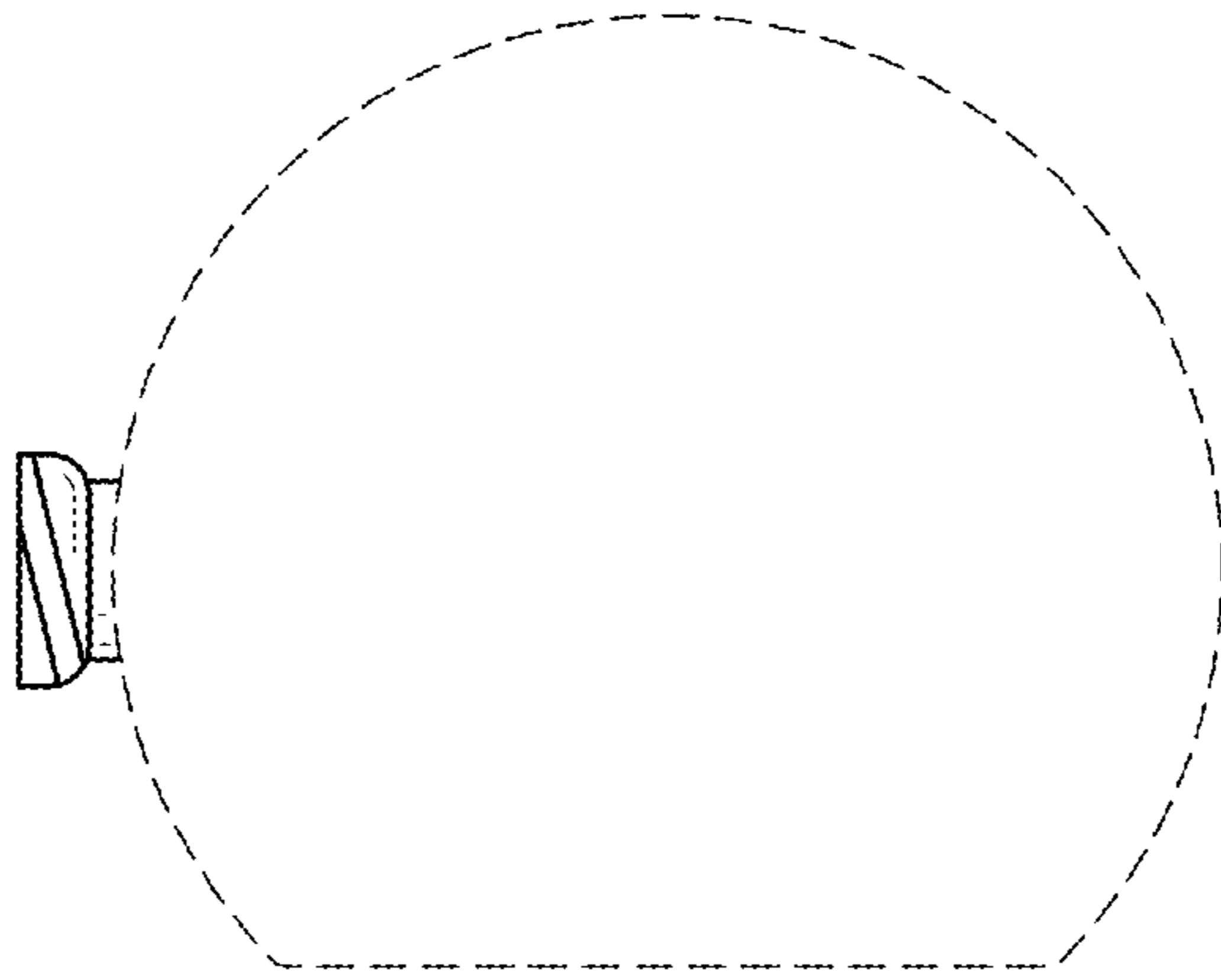


FIG. 16

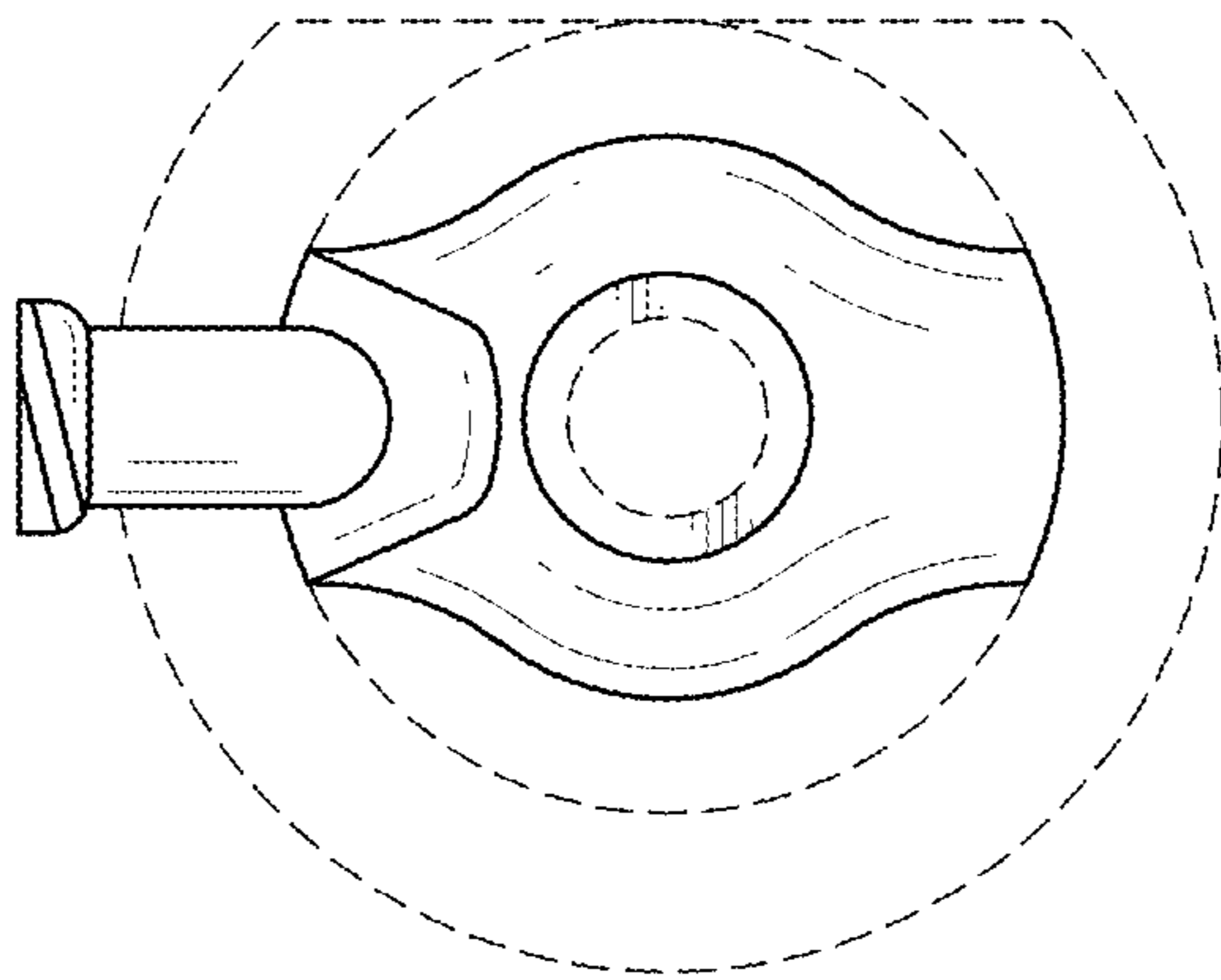


FIG. 17



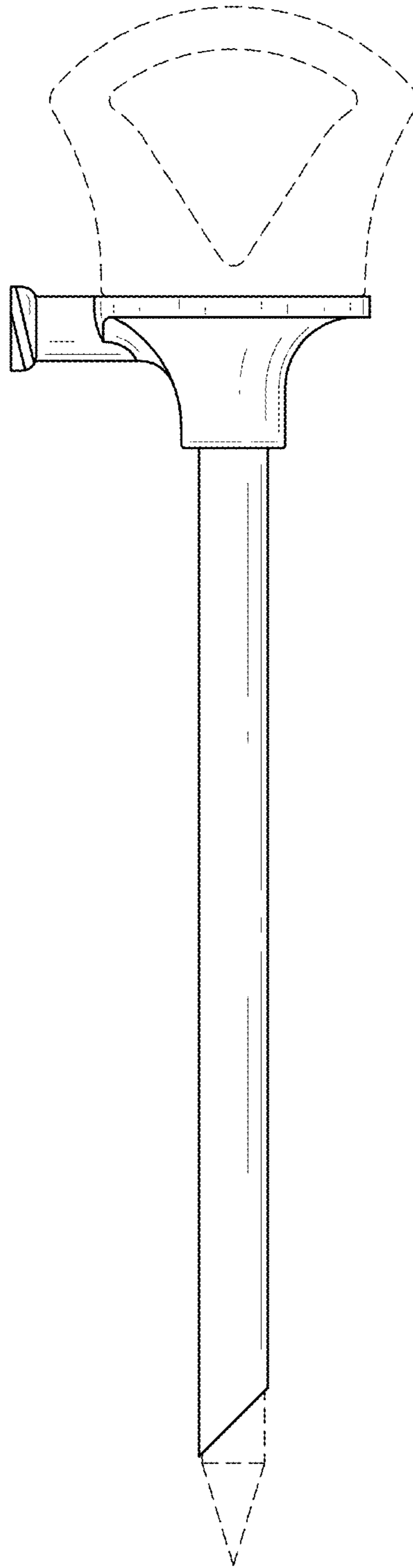


FIG.18

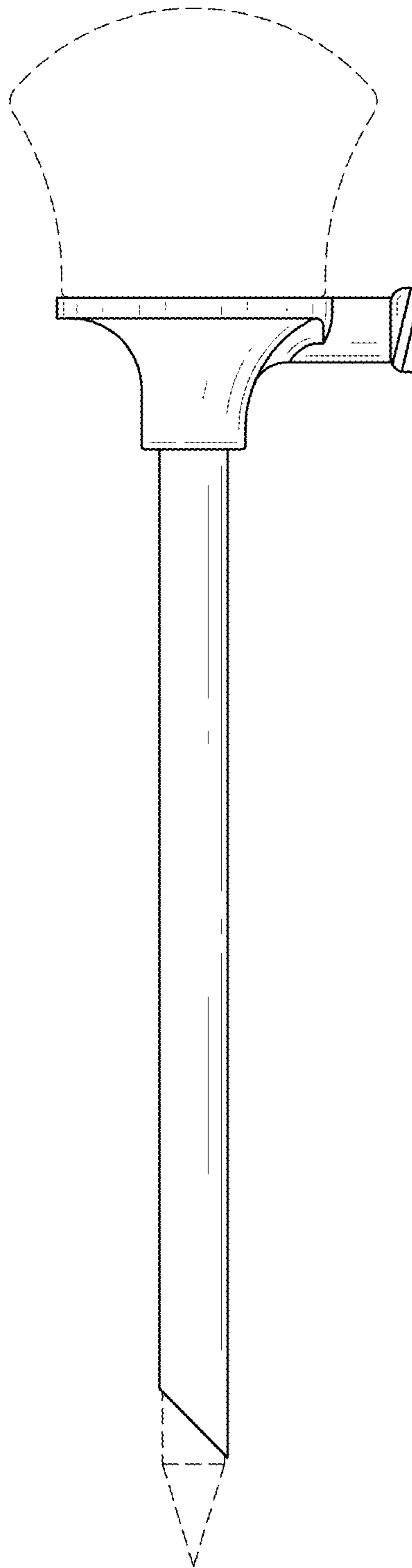


FIG. 19

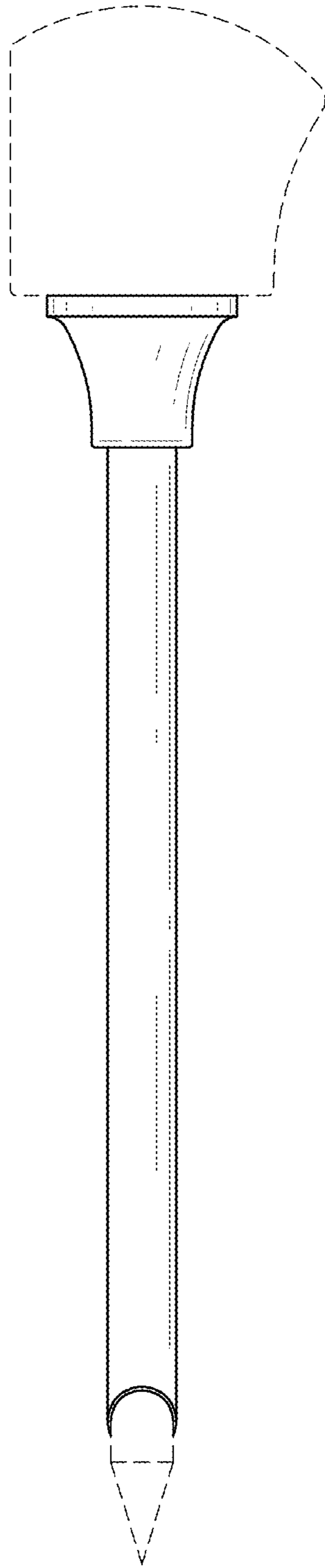


FIG.20

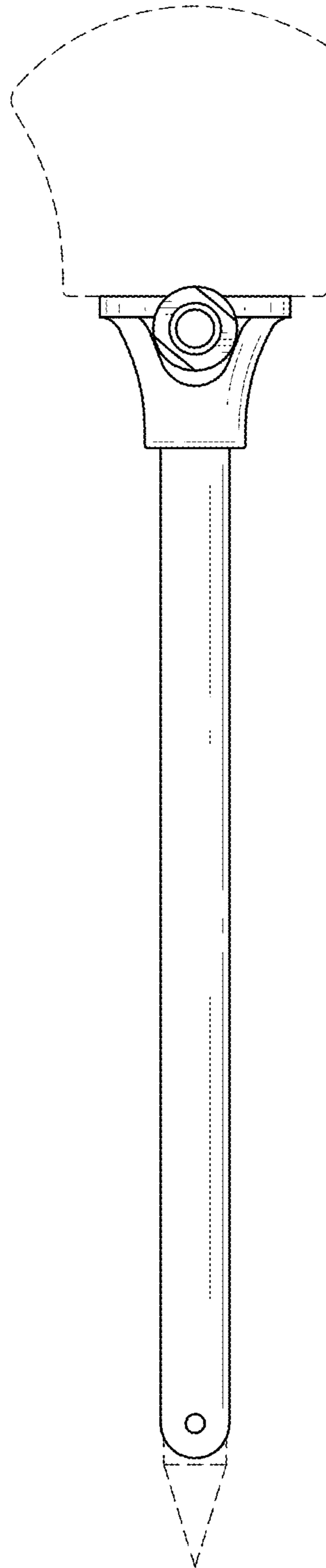


FIG.21

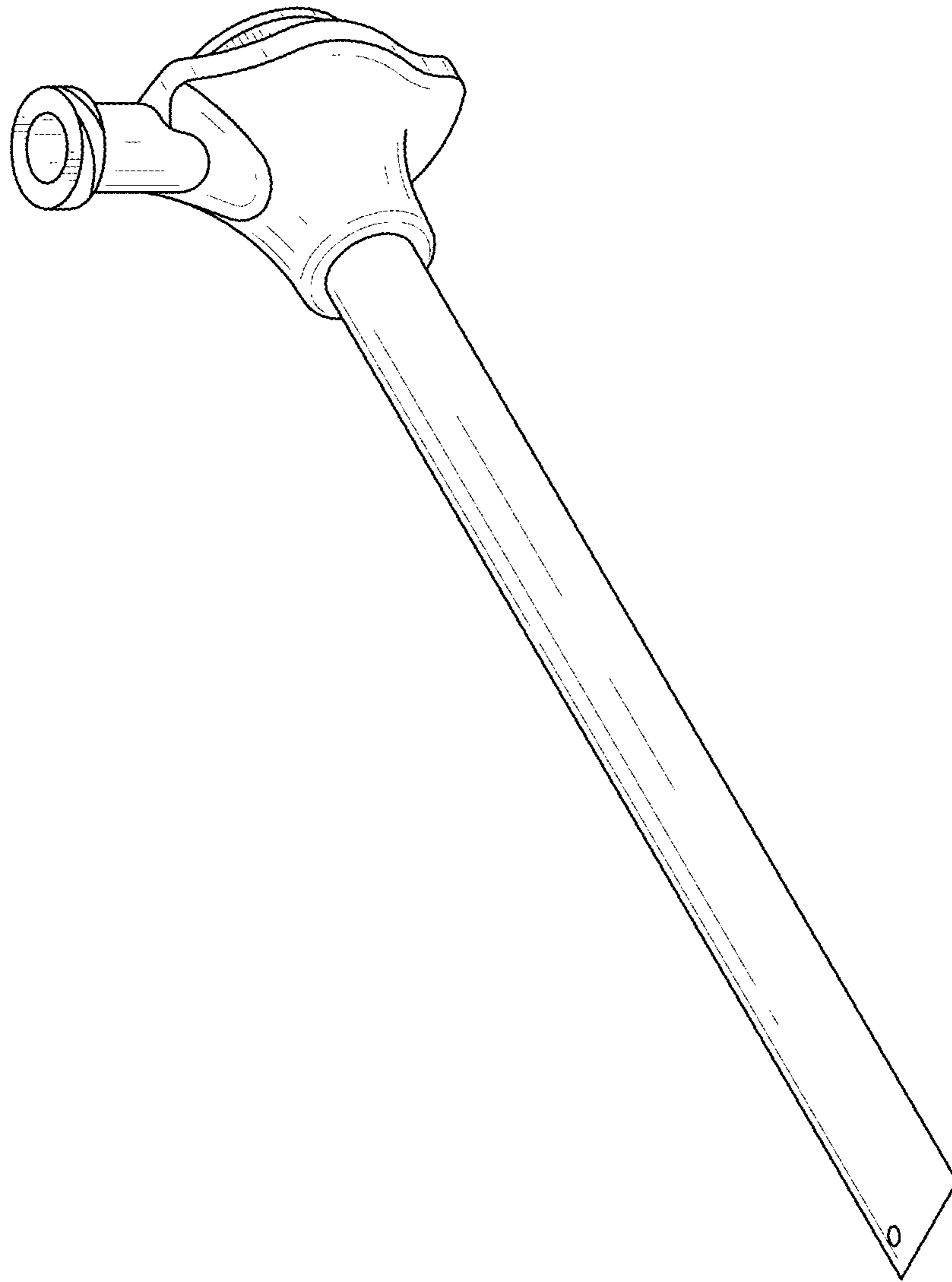


FIG.22

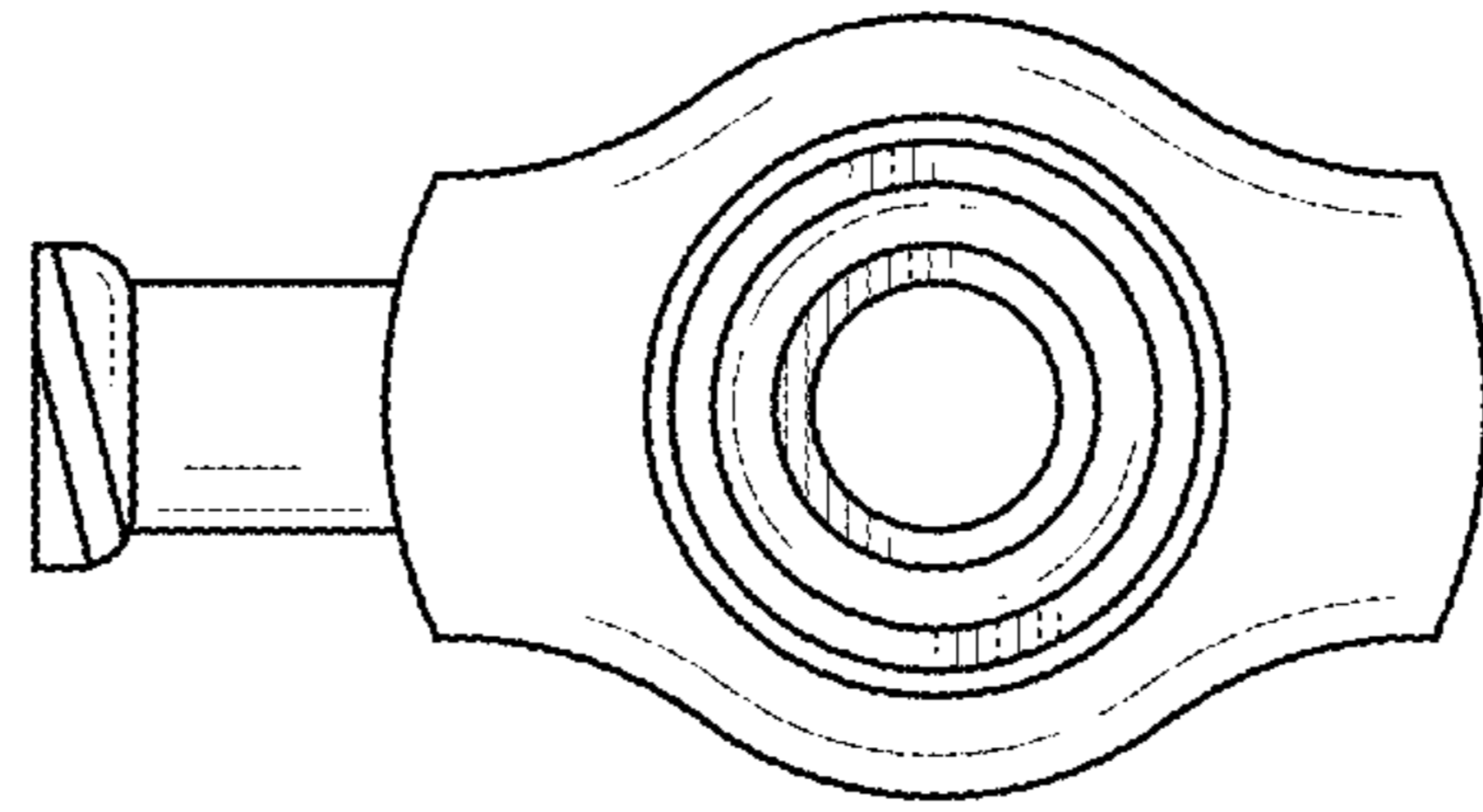


FIG. 23

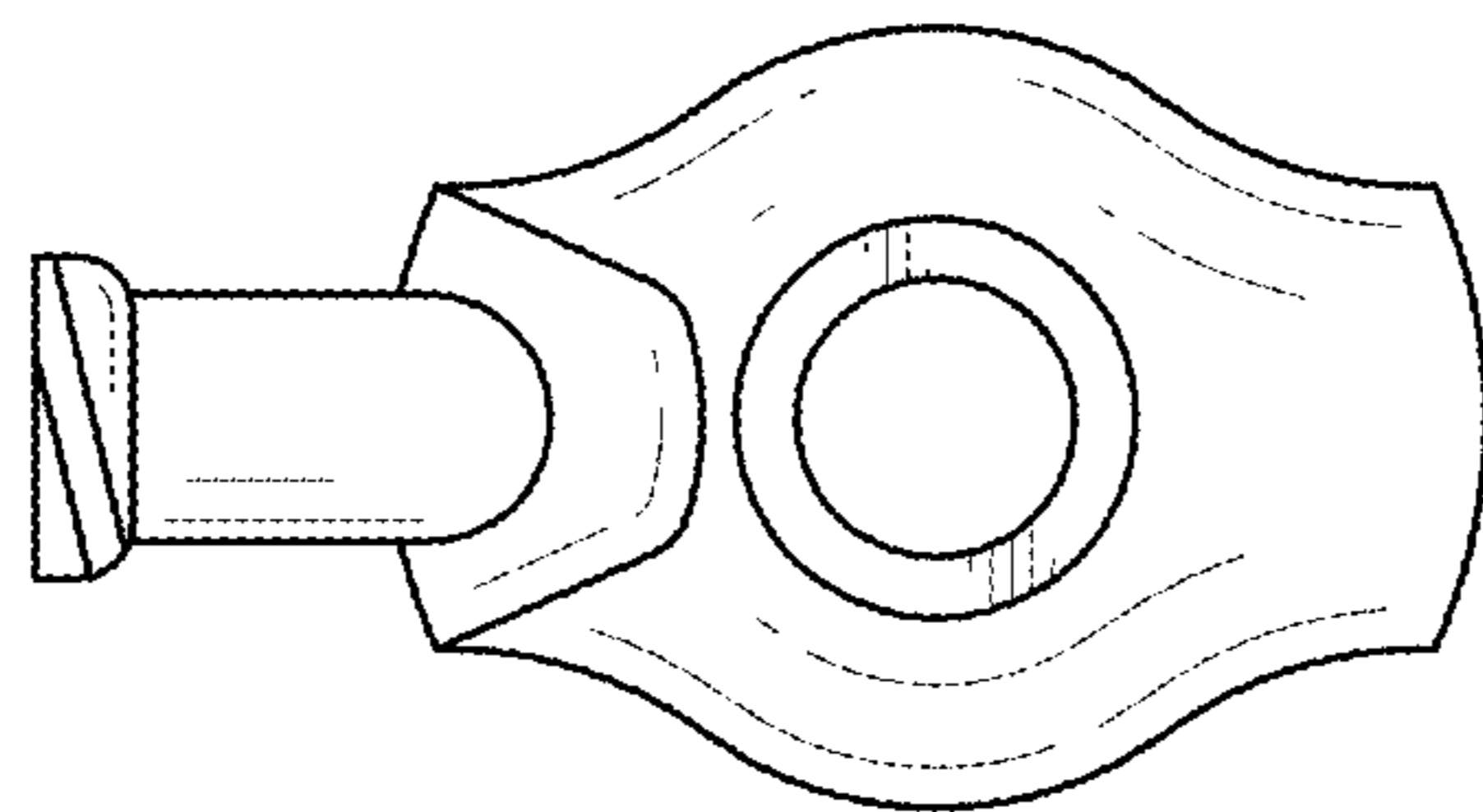


FIG. 24

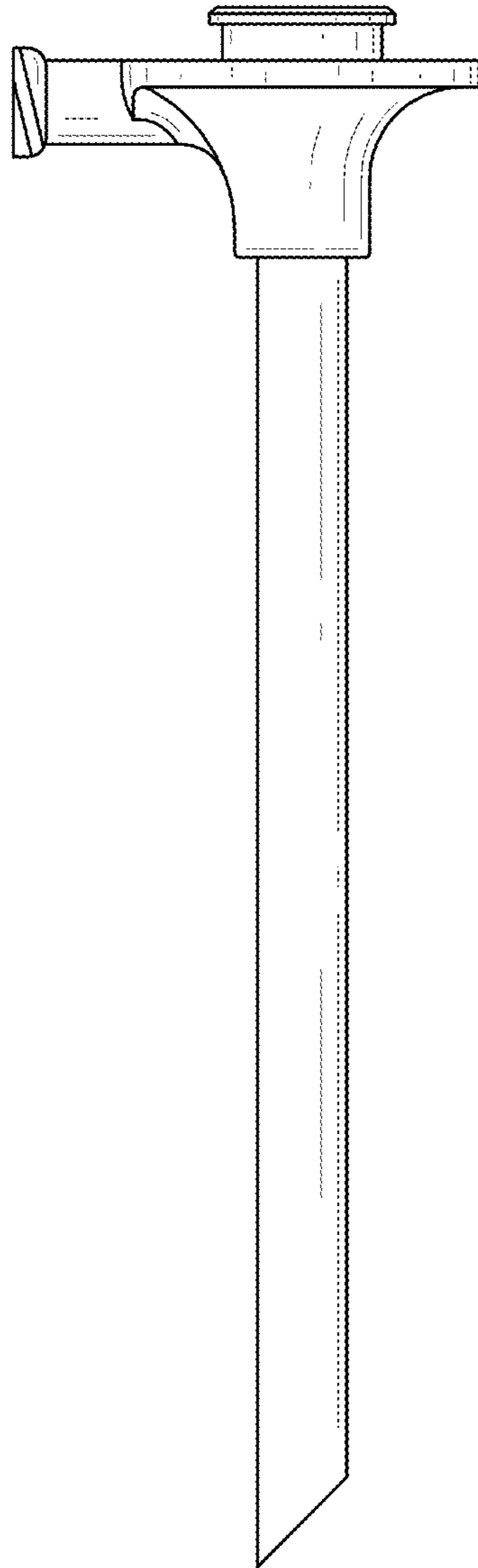


FIG.25

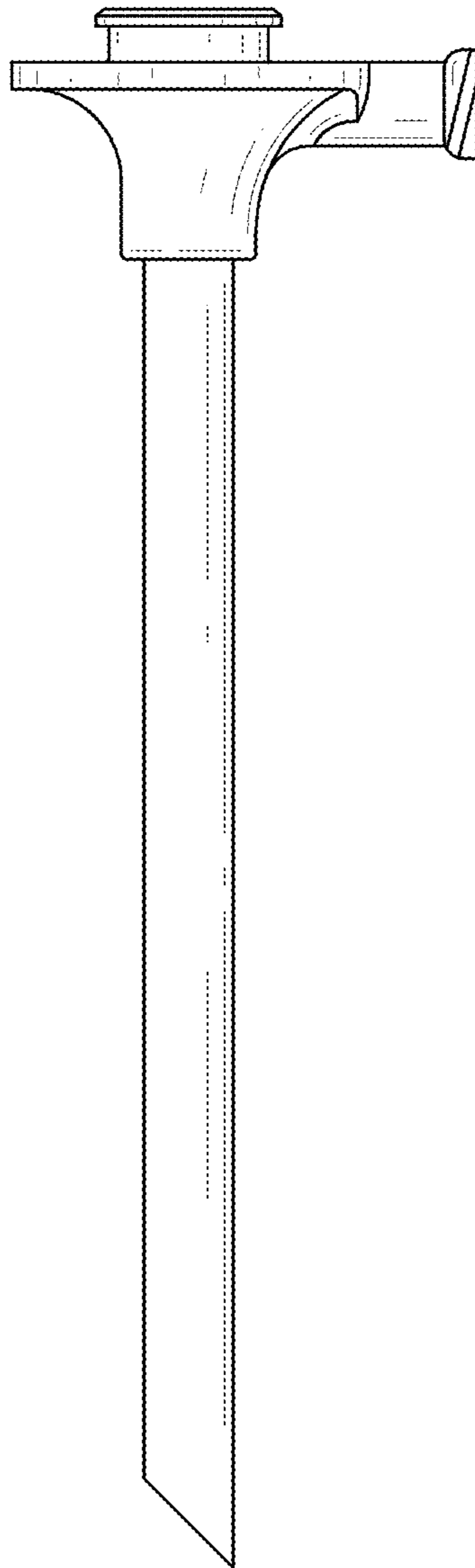


FIG.26



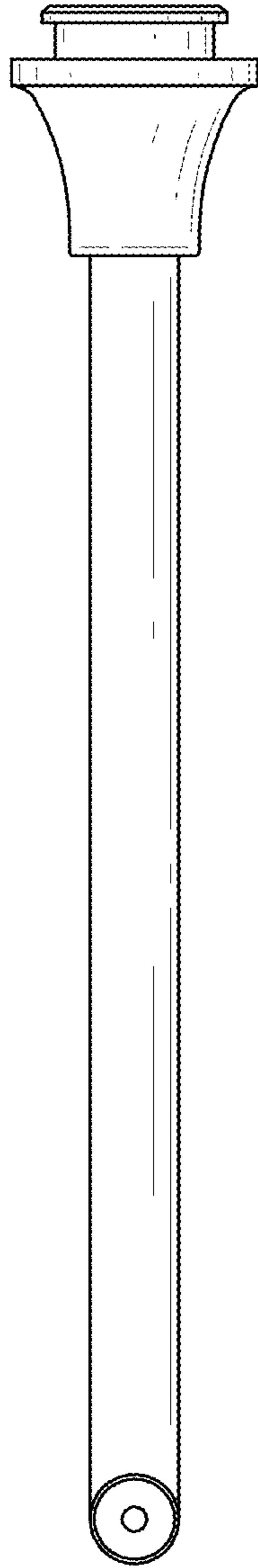


FIG.27

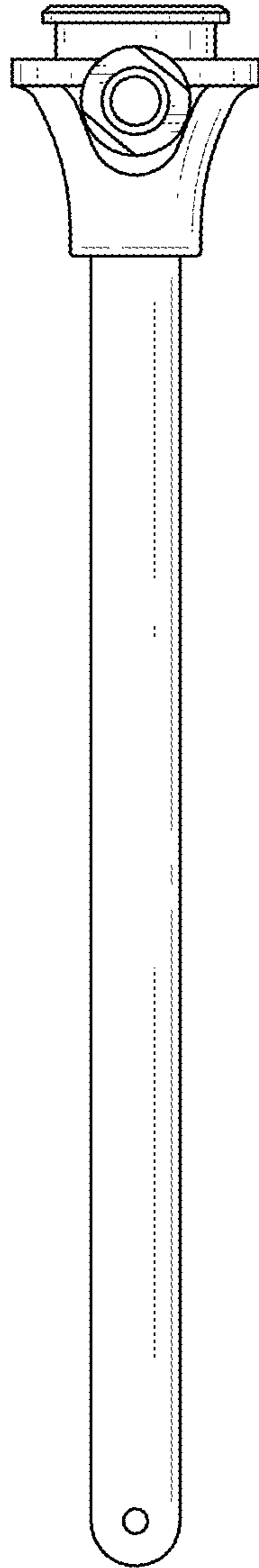


FIG.28