



US00D733878S

(12) **United States Design Patent**
Harper

(10) **Patent No.:** **US D733,878 S**

(45) **Date of Patent:** **** Jul. 7, 2015**

- (54) **EAR PIERCING SOCKET**
- (71) Applicant: **Sonya Harper**, Roanoke, VA (US)
- (72) Inventor: **Sonya Harper**, Roanoke, VA (US)
- (**) Term: **14 Years**
- (21) Appl. No.: **29/437,762**
- (22) Filed: **Nov. 20, 2012**

5,170,642	A *	12/1992	Sakata	63/12
5,400,620	A *	3/1995	Cervo et al.	63/12
5,411,516	A *	5/1995	Thomas	606/188
5,454,829	A *	10/1995	Koland	606/188
5,456,094	A *	10/1995	Greenwald	63/12
5,632,163	A *	5/1997	Inoue	63/12
5,669,239	A *	9/1997	Tobita	63/12
5,743,113	A *	4/1998	Kogen	63/12
5,855,587	A *	1/1999	Hyon et al.	606/188
5,893,277	A *	4/1999	Biagi	63/12
6,105,392	A *	8/2000	Biagi	63/12
D511,003	S *	10/2005	Sliwa, Jr.	D24/147
7,171,826	B1 *	2/2007	Antonyan	63/12
2004/0089022	A1 *	5/2004	Ashton	63/12
2007/0022779	A1 *	2/2007	Christians	63/35
2013/0006289	A1 *	1/2013	Harper	606/188

Related U.S. Application Data

- (63) Continuation-in-part of application No. 13/171,719, filed on Jun. 29, 2011, now abandoned.
- (51) **LOC (10) Cl.** **24-02**
- (52) **U.S. Cl.**
USPC **D24/147**
- (58) **Field of Classification Search**
USPC D24/127, 133, 136.146-152, 172, 173, D24/174, 176, 214, 215; 600/325, 110, 180; 606/79, 80, 162, 167, 184, 185, 186, 606/188; D8/80, 300, 397; 63/12, 35
CPC A61B 1/05; A61B 1/07; A61B 17/1671; A61B 17/1617; A61B 5/1459
See application file for complete search history.

* cited by examiner

Primary Examiner — Robert M Spear
Assistant Examiner — Marissa J Cash
(74) *Attorney, Agent, or Firm* — Dale J. Ream

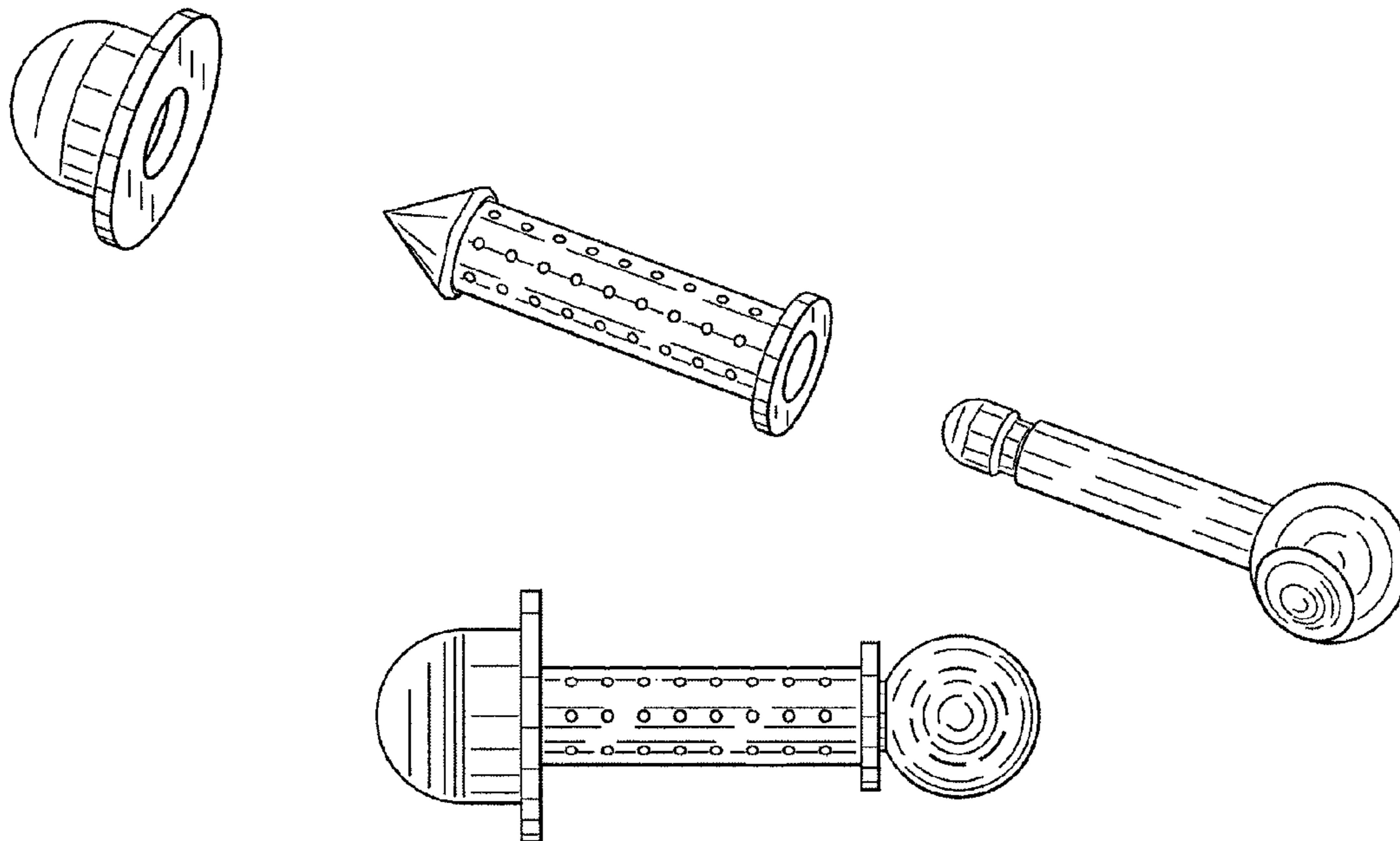
(57) **CLAIM**
The ornamental design for an ear piercing socket, shown and described.

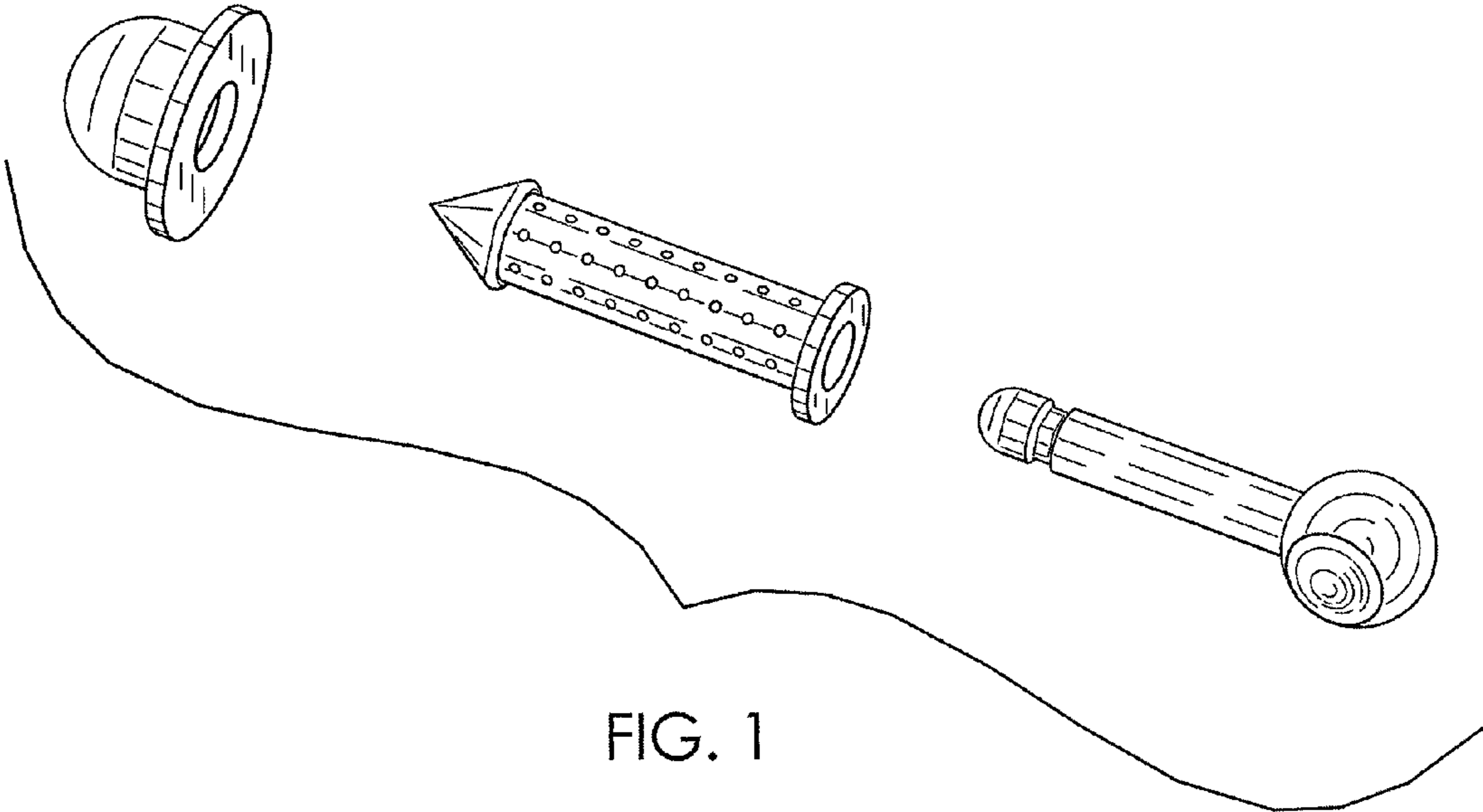
DESCRIPTION

FIG. 1 is a exploded perspective view of an ear piercing socket showing my new design
FIG. 2 is a front exploded view, with the back view being a mirror image thereof;
FIG. 3 is a exploded top view, with the bottom view being a mirror image thereof;
FIG. 4 is a left side view thereof;
FIG. 5 is a right side view thereof; and,
FIG. 6 is a front view of an ear piercing socket in a collapsed configuration.

1 Claim, 3 Drawing Sheets

- (56) **References Cited**
U.S. PATENT DOCUMENTS
2,642,872 A * 6/1953 Parker 606/188
3,789,850 A * 2/1974 Ford 606/188
3,831,597 A * 8/1974 Shiller 606/188
4,067,341 A * 1/1978 Ivey 606/188
4,353,370 A * 10/1982 Evans 604/289
4,593,540 A * 6/1986 Cuvar et al. 63/12
5,018,365 A * 5/1991 Luceno 63/12





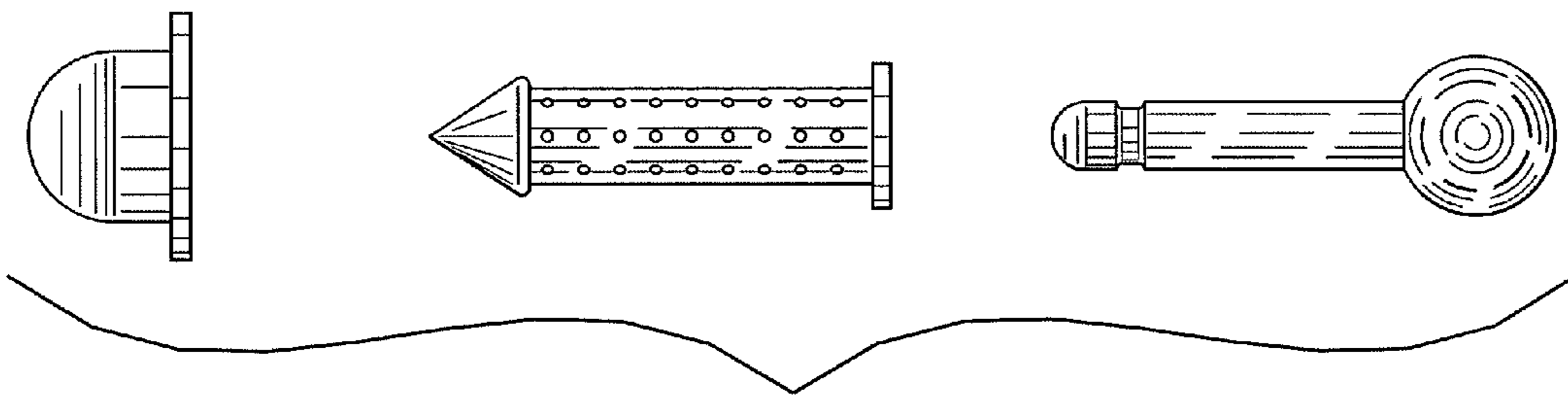


FIG. 2

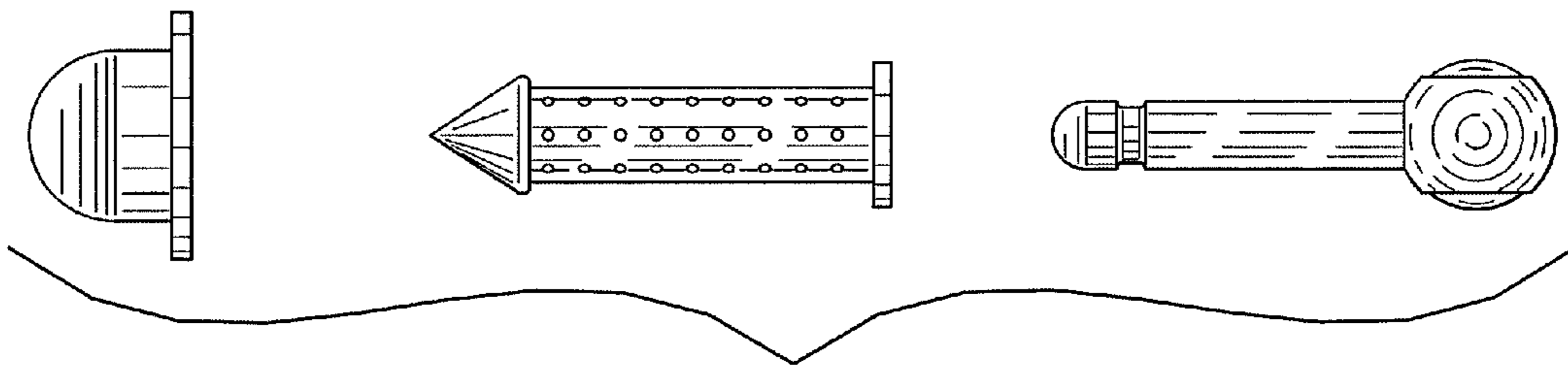


FIG. 3

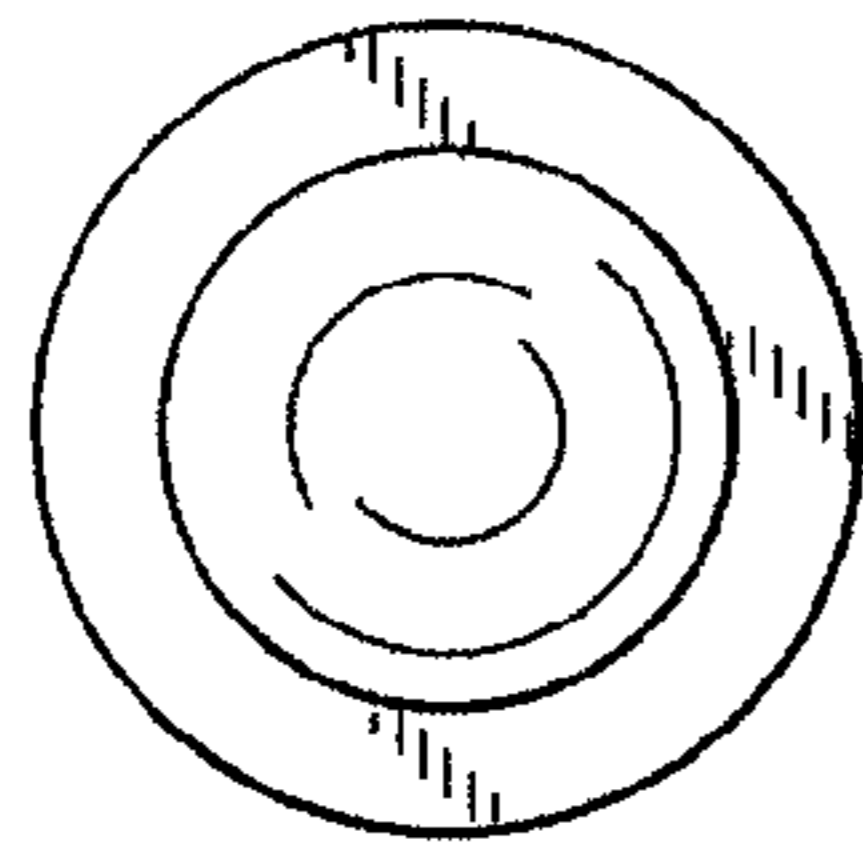


FIG. 4

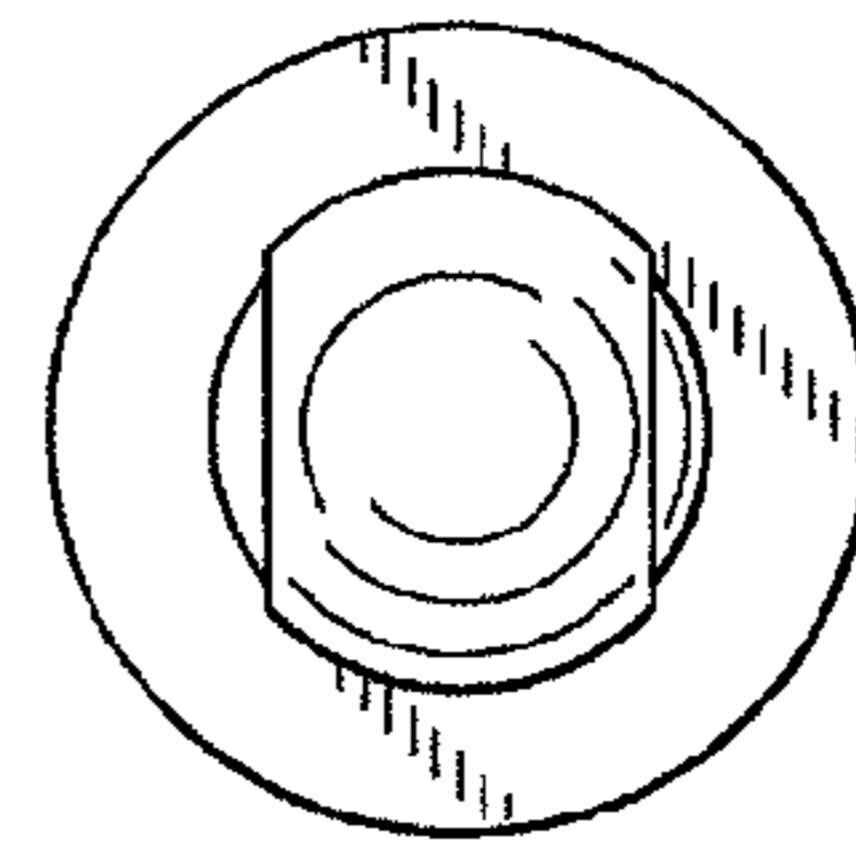


FIG. 5

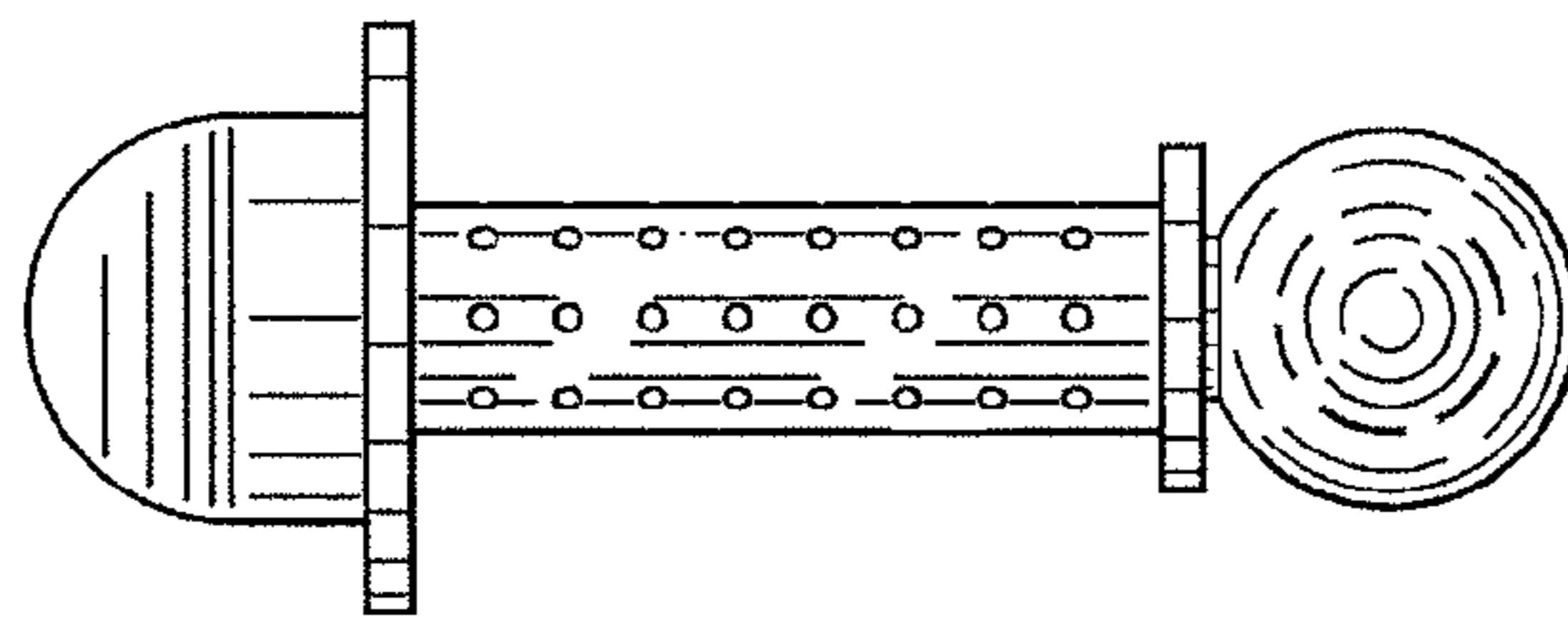


FIG. 6