



US00D733877S

(12) **United States Design Patent**  
**Rydberg et al.**

(10) **Patent No.:** **US D733,877 S**

(45) **Date of Patent:** **\*\* Jul. 7, 2015**

(54) **ATHERECTOMY SYSTEM CARTRIDGE**

(56) **References Cited**

(71) Applicant: **Cardiovascular Systems, Inc.**, St. Paul, MN (US)

U.S. PATENT DOCUMENTS

(72) Inventors: **Nicholas Rydberg**, Oakdale, MN (US);  
**Brett Ryan Johnson**, Roseville, MN (US)

934,032	A *	9/1909	Barber	30/287
5,931,847	A *	8/1999	Bittner et al.	606/167
D418,223	S *	12/1999	Phipps et al.	D24/133
7,024,772	B1 *	4/2006	Shaver et al.	30/2
D551,518	S *	9/2007	Leuze	D7/649
D586,916	S *	2/2009	Faulkner et al.	D24/146
D592,746	S *	5/2009	Highley et al.	D24/133
D675,318	S *	1/2013	Luk et al.	D24/130
D679,391	S *	4/2013	Chinowsky et al.	D24/127
2005/0016352	A1 *	1/2005	McCorkle	83/880
2015/0073448	A1 *	3/2015	Rydberg	606/159
2015/0094751	A1 *	4/2015	Chen et al.	606/185

(73) Assignee: **Cardiovascular Systems, Inc.**, St. Paul, MN (US)

(\*\*) Term: **14 Years**

\* cited by examiner

(21) Appl. No.: **29/497,045**

*Primary Examiner* — Robert M Spear

*Assistant Examiner* — Marissa J Cash

(22) Filed: **Jul. 21, 2014**

(74) *Attorney, Agent, or Firm* — Winthrop & Weinstine, P.A.

(51) **LOC (10) Cl.** ..... **24-02**

(57) **CLAIM**

The ornamental design for an atherectomy system cartridge, as shown.

(52) **U.S. Cl.**

**DESCRIPTION**

USPC ..... **D24/146**

(58) **Field of Classification Search**

USPC ..... D7/649; D8/93, 97, 300, 310, 311, 313;  
D19/110, 115; D24/127, 130, 133,  
D24/146, 147, 148

FIG. 1 is a perspective view of the atherectomy system cartridge;

FIG. 2 is a top view;

FIG. 3 is a bottom view;

FIG. 4 is right side view;

FIG. 5 is a left side view;

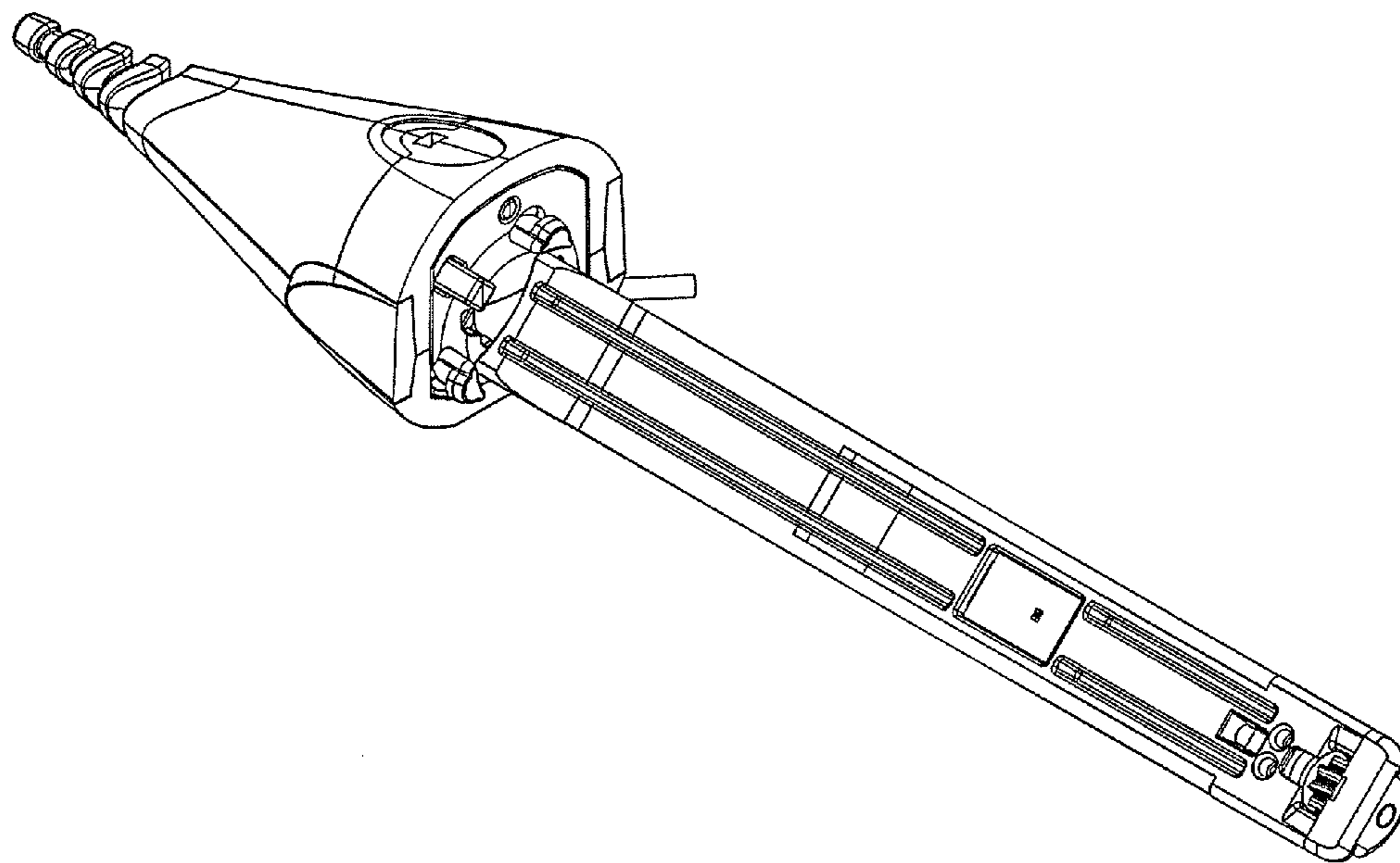
FIG. 6 is a rear view; and,

FIG. 7 is a front view.

CPC ..... B26B 3/00; B26B 1/10; B26B 5/005;  
A61B 17/809; A61B 17/1617; A61B 17/3211;  
A61B 5/1411; A61B 17/3417

See application file for complete search history.

**1 Claim, 6 Drawing Sheets**



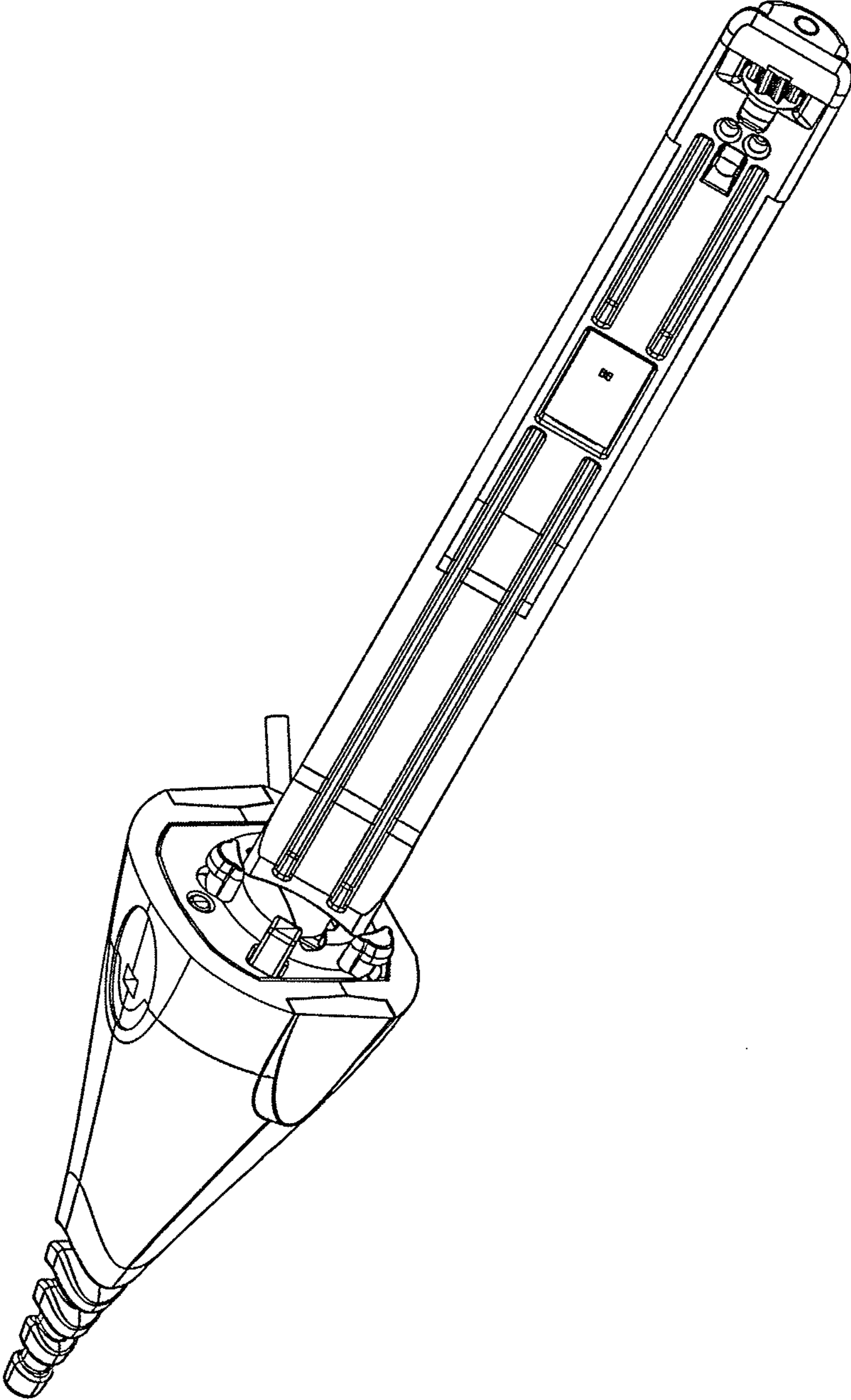


Fig. 1

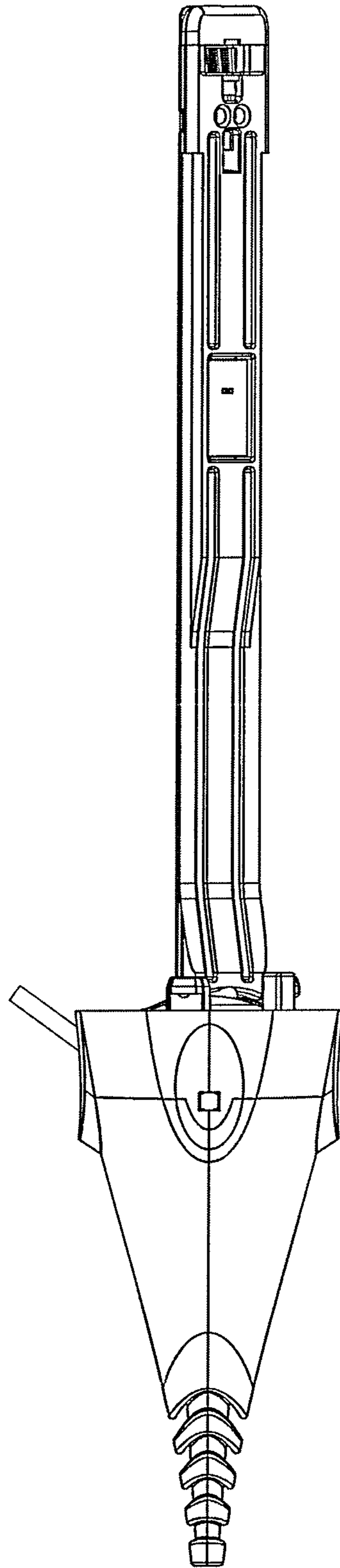


Fig. 2

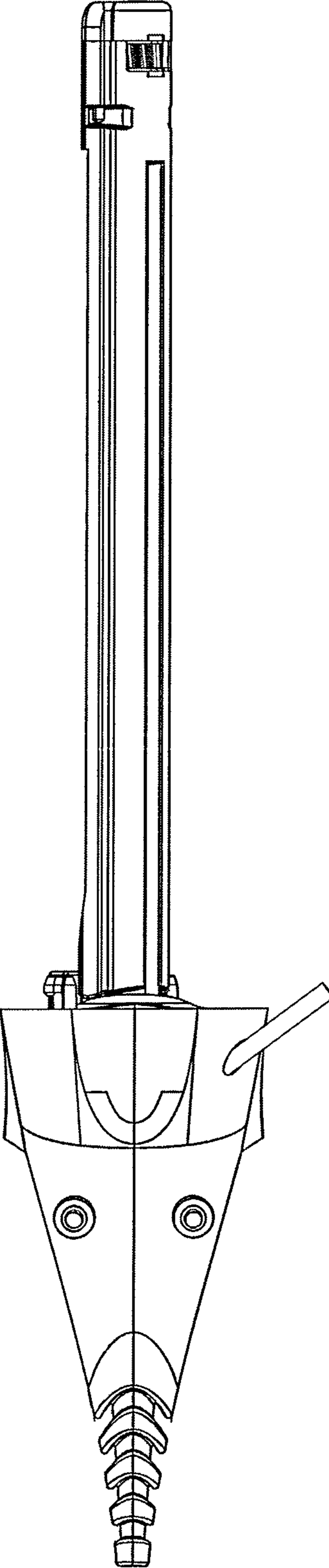


Fig. 3

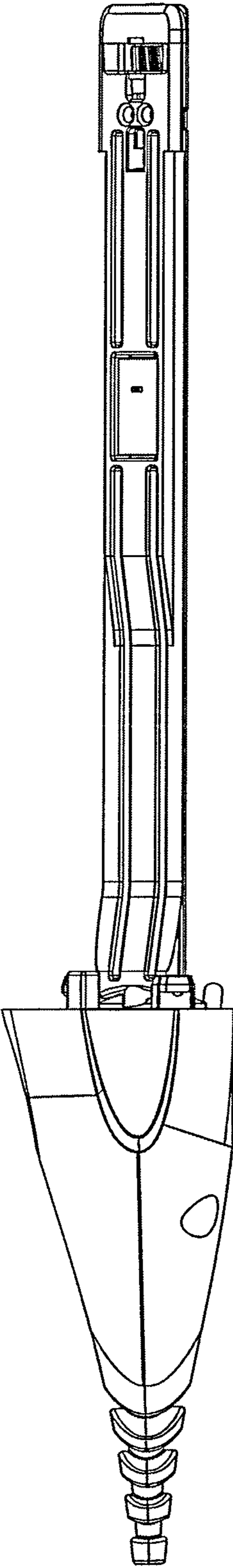


Fig. 4

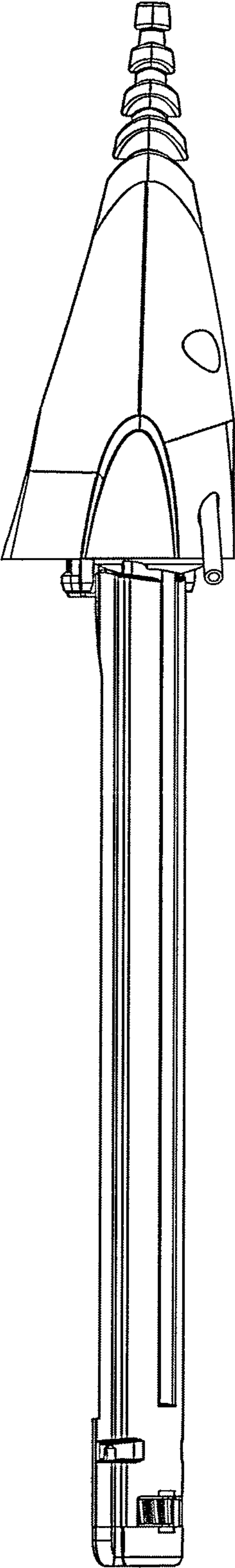


Fig. 5

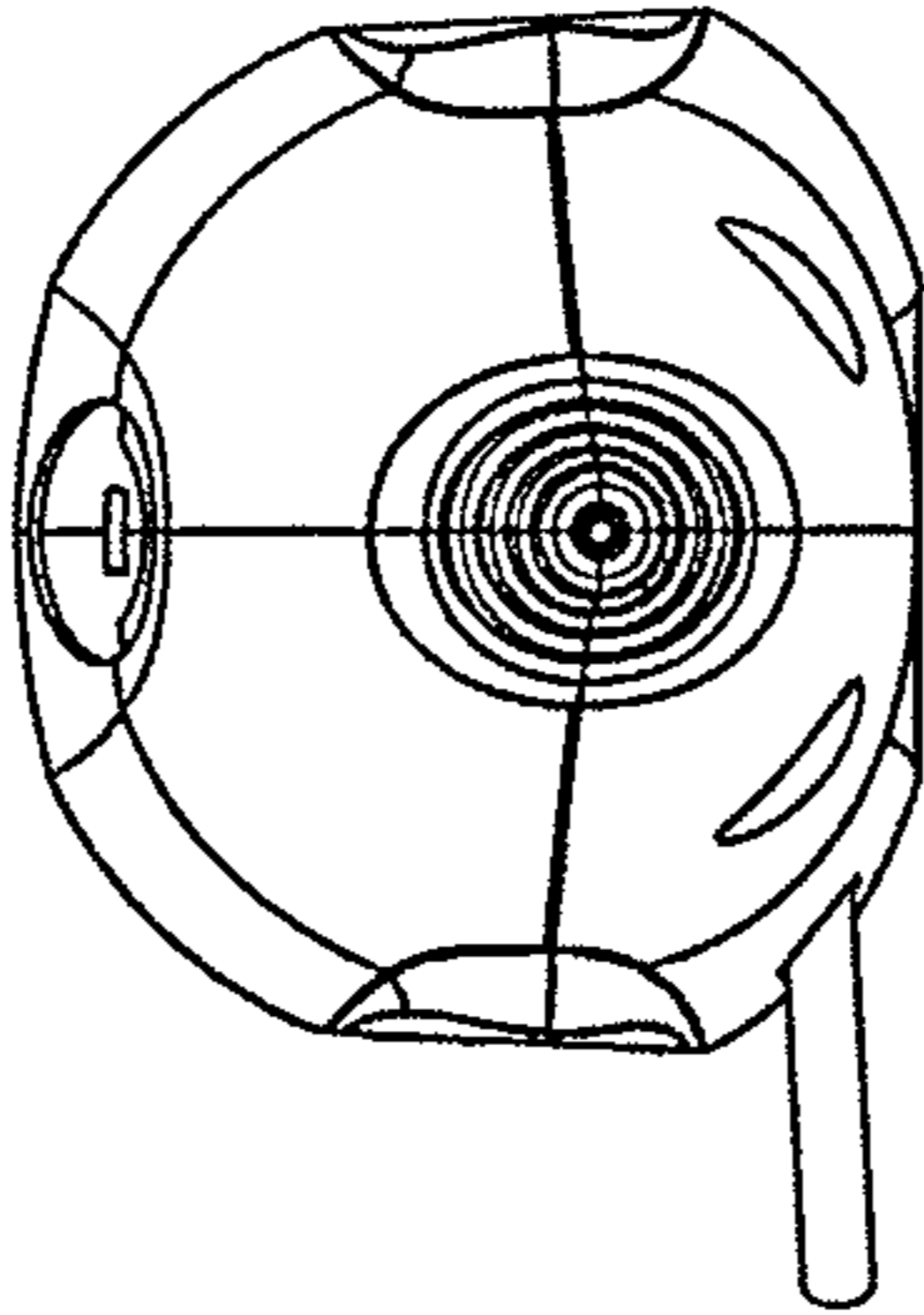


Fig. 7

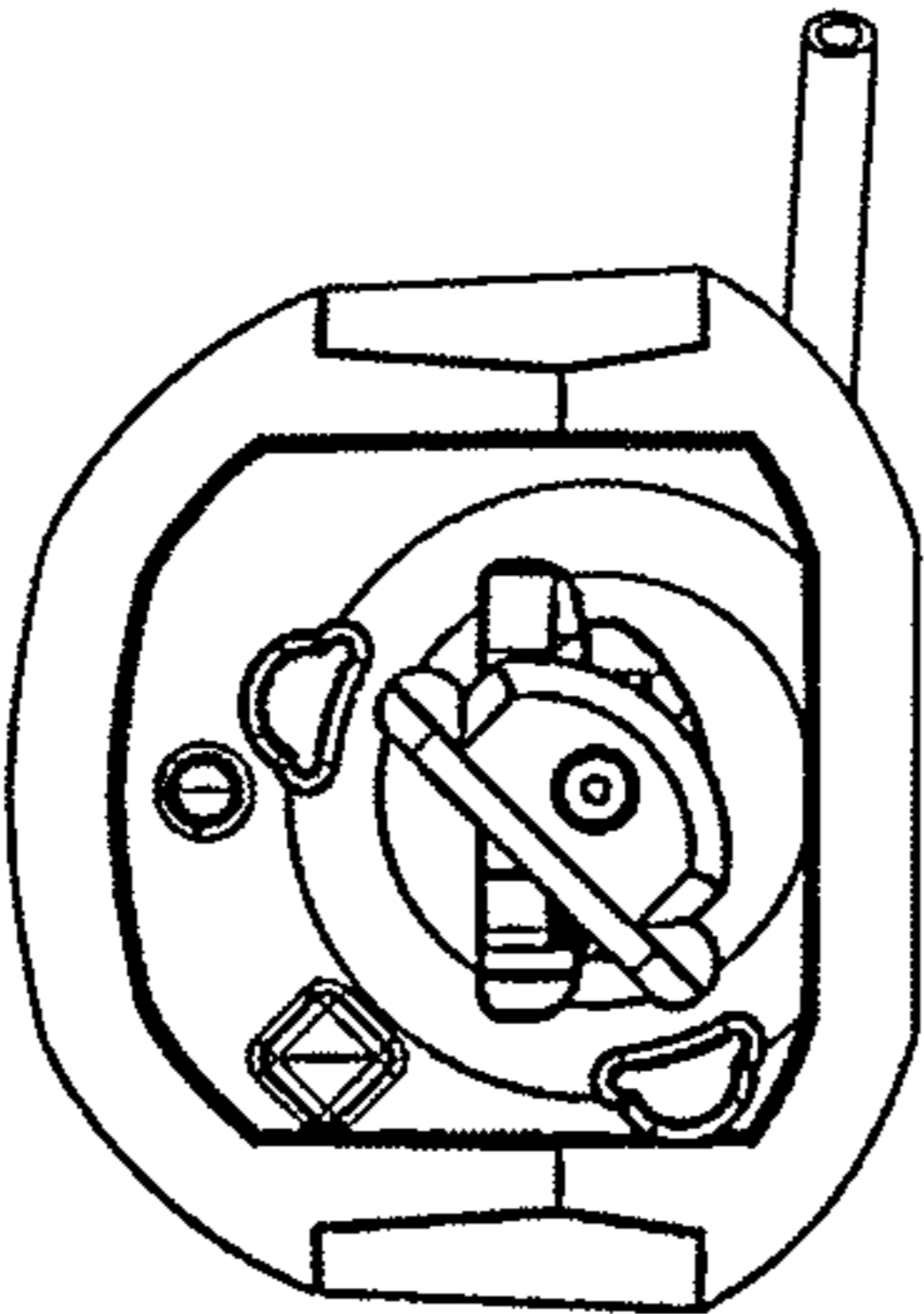


Fig. 6