



US00D733875S

(12) **United States Design Patent**
Chaney et al.

(10) **Patent No.:** **US D733,875 S**
(45) **Date of Patent:** **** Jul. 7, 2015**

(54) **DISTAL CUTTING BLOCK**

(71) Applicants: **Rebecca L. Chaney**, Warsaw, IN (US);
Craig S. Tsukayama, Fort Wayne, IN
(US); **Benjamin J. Sordelet**, Columbia
City, IN (US)

(72) Inventors: **Rebecca L. Chaney**, Warsaw, IN (US);
Craig S. Tsukayama, Fort Wayne, IN
(US); **Benjamin J. Sordelet**, Columbia
City, IN (US)

(73) Assignee: **DEPUY (IRELAND) (IE)**

(**) Term: **14 Years**

(21) Appl. No.: **29/457,182**

(22) Filed: **Jun. 7, 2013**

(51) **LOC (10) Cl.** **24-02**

(52) **U.S. Cl.**
USPC **D24/140**

(58) **Field of Classification Search**
USPC D24/133, 140, 143, 144, 145, 146, 147,
D24/155, 171
CPC A61B 17/17; A61B 17/1725; A61F 2/46;
A61F 2/4601; A61F 2/4603; A61F 2/4607;
A61F 2/461
See application file for complete search history.

(56) **References Cited**

U.S. PATENT DOCUMENTS

4,211,228	A *	7/1980	Cloutier	606/102
D273,895	S *	5/1984	Kenna	D24/140
D274,091	S *	5/1984	Kenna	D24/140
D274,092	S *	5/1984	Kenna	D24/140
D274,094	S *	5/1984	Kenna	D24/140
D274,095	S *	5/1984	Kenna	D24/140
D355,254	S *	2/1995	Krafft et al.	D24/140
5,735,856	A *	4/1998	McCue et al.	606/87
D629,900	S *	12/2010	Fisher	D24/146
D646,390	S *	10/2011	Bailey et al.	D24/140
D649,639	S *	11/2011	Bertoni et al.	D24/140

D651,316	S *	12/2011	May et al.	D24/140
D694,884	S *	12/2013	Mooradian et al.	D24/140
2009/0125114	A1	5/2009	May et al.	
2013/0325014	A1	12/2013	Sordelet et al.	
2013/0325016	A1	12/2013	Sordelet et al.	
2013/0325018	A1	12/2013	Thomas et al.	
2013/0325019	A1	12/2013	Thomas et al.	
2013/0325021	A1	12/2013	Sordelet et al.	
2013/0325136	A1	12/2013	Thomas et al.	

OTHER PUBLICATIONS

Zimmer NexGen LCCK, Surgical Technique for use with LCCK
4-in-1 Instrument, 2009, 52 pages.

(Continued)

Primary Examiner — Bridget L Eland

(74) *Attorney, Agent, or Firm* — Barnes & Thornburg LLP

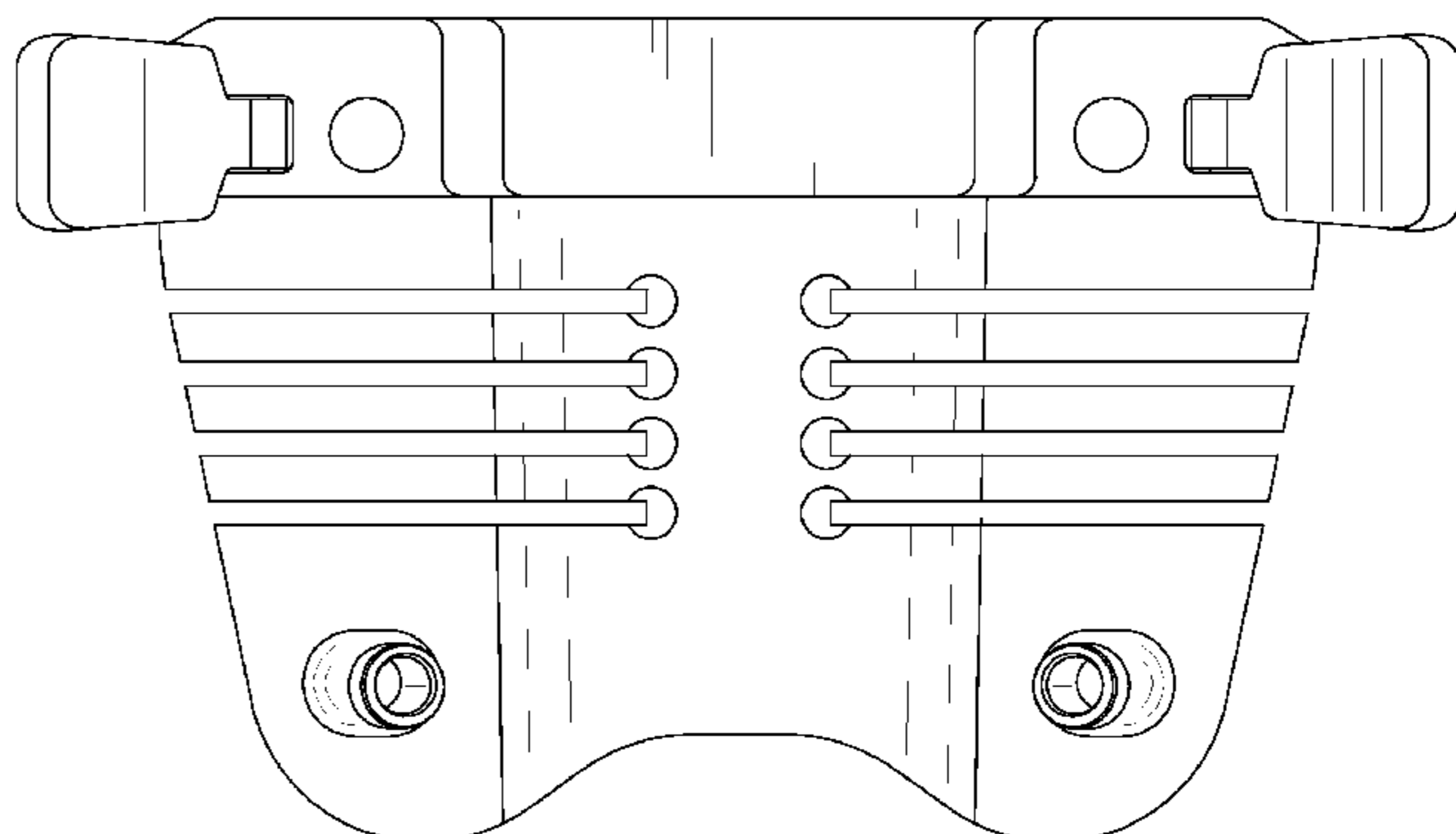
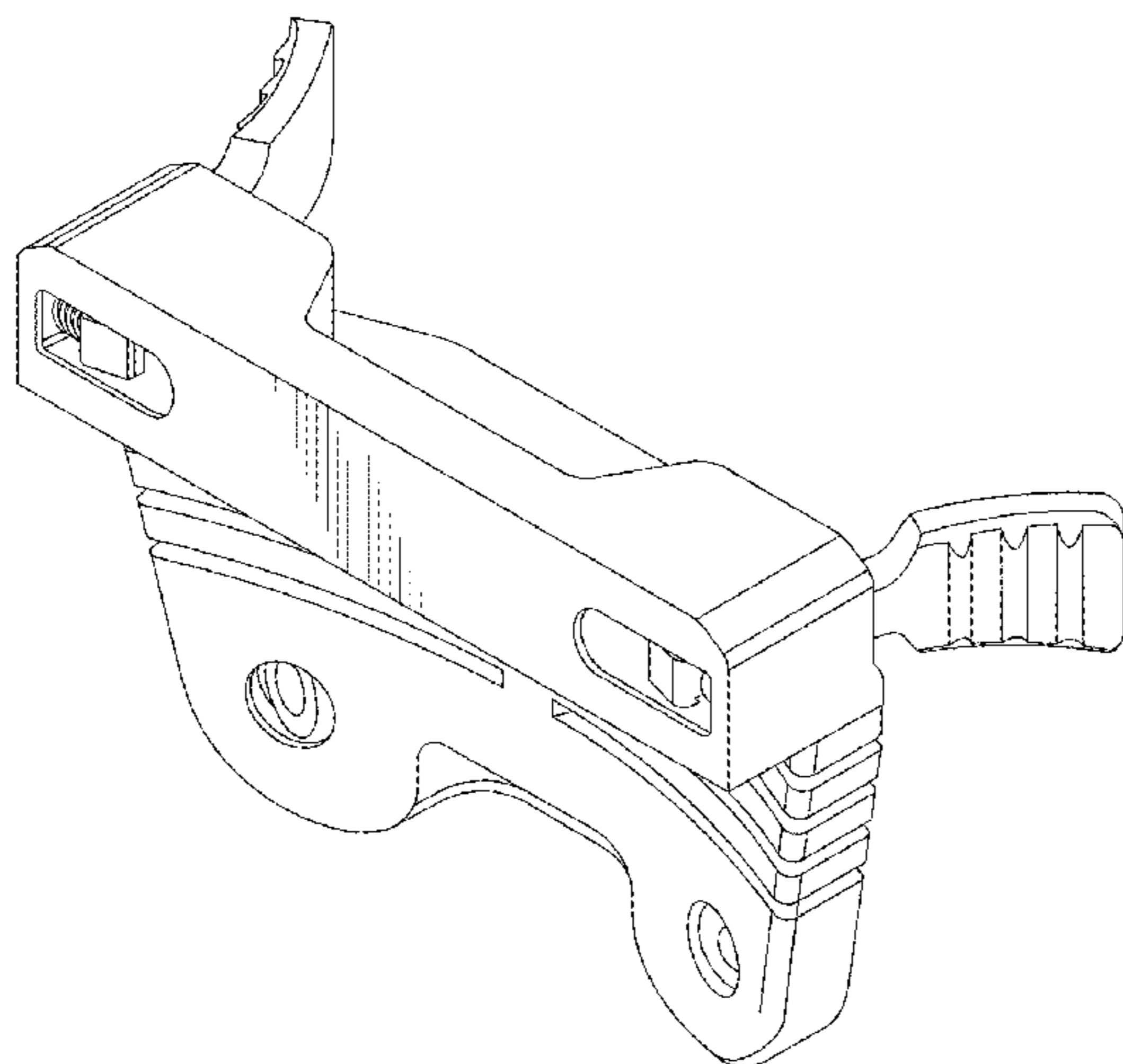
(57) **CLAIM**

We claim the ornamental design for a distal cutting block, as
shown and described.

DESCRIPTION

FIG. 1 is a rear perspective view of a distal cutting block showing our new design;
 FIG. 2 is a rear elevation view of the distal cutting block of FIG. 1;
 FIG. 3 is a front elevation view of the distal cutting block of FIG. 1;
 FIG. 4 is a first side elevation view of the distal cutting block of FIG. 1;
 FIG. 5 is a second side elevation view opposite the first side elevation view shown in FIG. 1;
 FIG. 6 is a top plan view of the distal cutting block of FIG. 1;
 FIG. 7 is a bottom plan view of the distal cutting block of FIG. 1;
 FIG. 8 is a front perspective view of the distal cutting block of FIG. 1; and,
 FIG. 9 is a rear perspective view of the distal cutting block of FIG. 1, shown in an environment.

1 Claim, 8 Drawing Sheets



(56)

References Cited

OTHER PUBLICATIONS

DePuy Orthopaedics, Inc., Sigma Revision and M.B.T. Revision Tray, Surgical Technique, 2008, 82 pages.

Smith & Nephew, Legion, Revision Knee System, Surgical Technique, 2005, 40 pages.

Biomet, Vanguard SSK, Revision System, Surgical Technique, Feb. 2008, 64 pages.

GMK Revision, Surgical Technique, Ref. 99.27.12US rev. 1, 1999, 74 pages.

PFC Sigma RP-F, Specialist 2 Instruments, Surgical Technique, Performance in Flexion, 2007, 32 pages.

P.F.C. Sigma Rotating Platform Knee System with M.B.T Tray, Primary Procedure with a Curved or Posterior Stabilised Implant, 2003, 43 pages.

LCS High Performance Instruments, Surgical Technique, 2008, 44 pages.

Sigma High Performance Instruments, Design Rationale, 2007, 12 pages.

Sigma High Performance Instruments, Classic Surgical Technique, 2010, 52 pages.

Attune Knee System Surgical Technique, 2013, 73 pages.

* cited by examiner

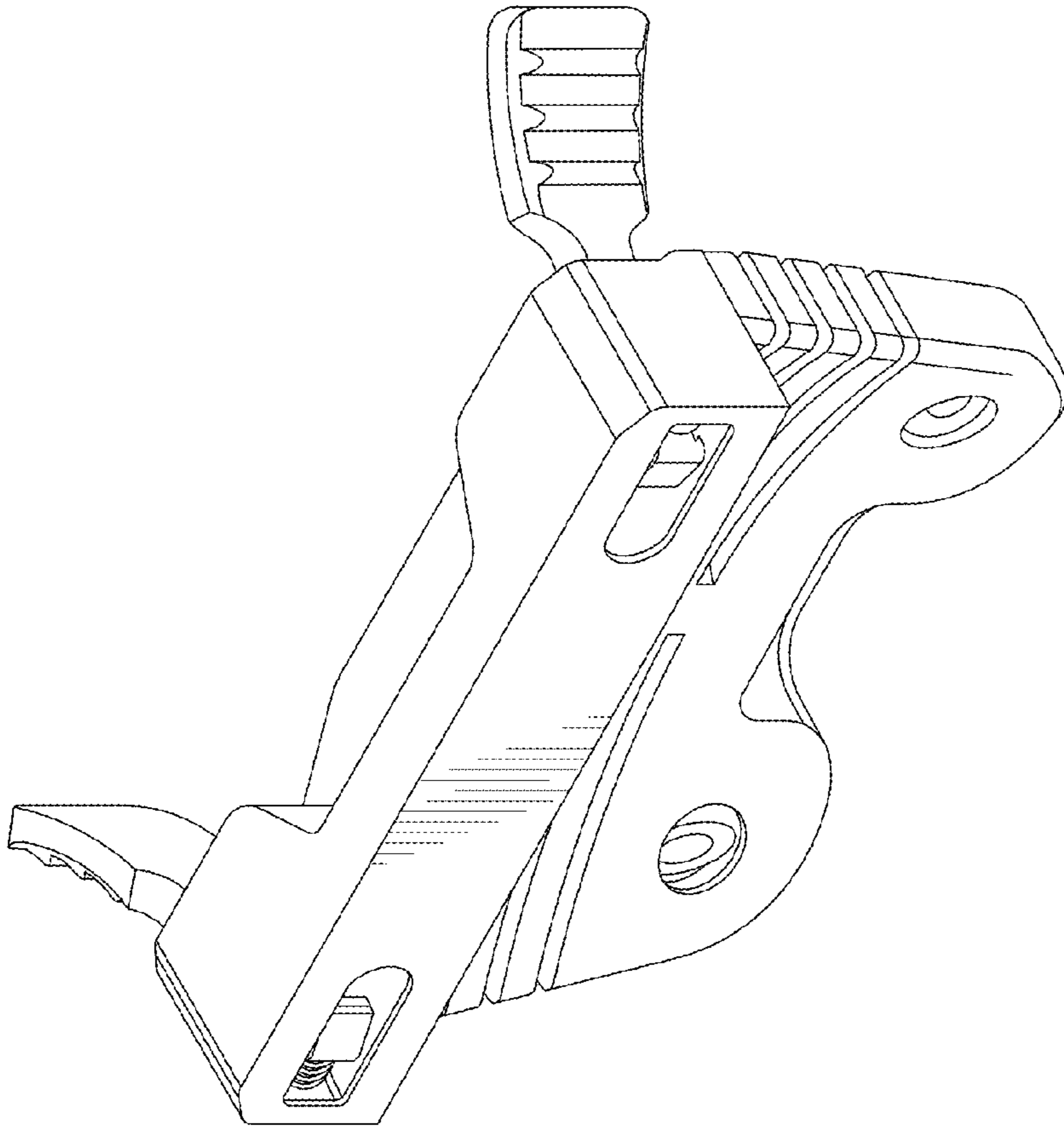


Fig. 1

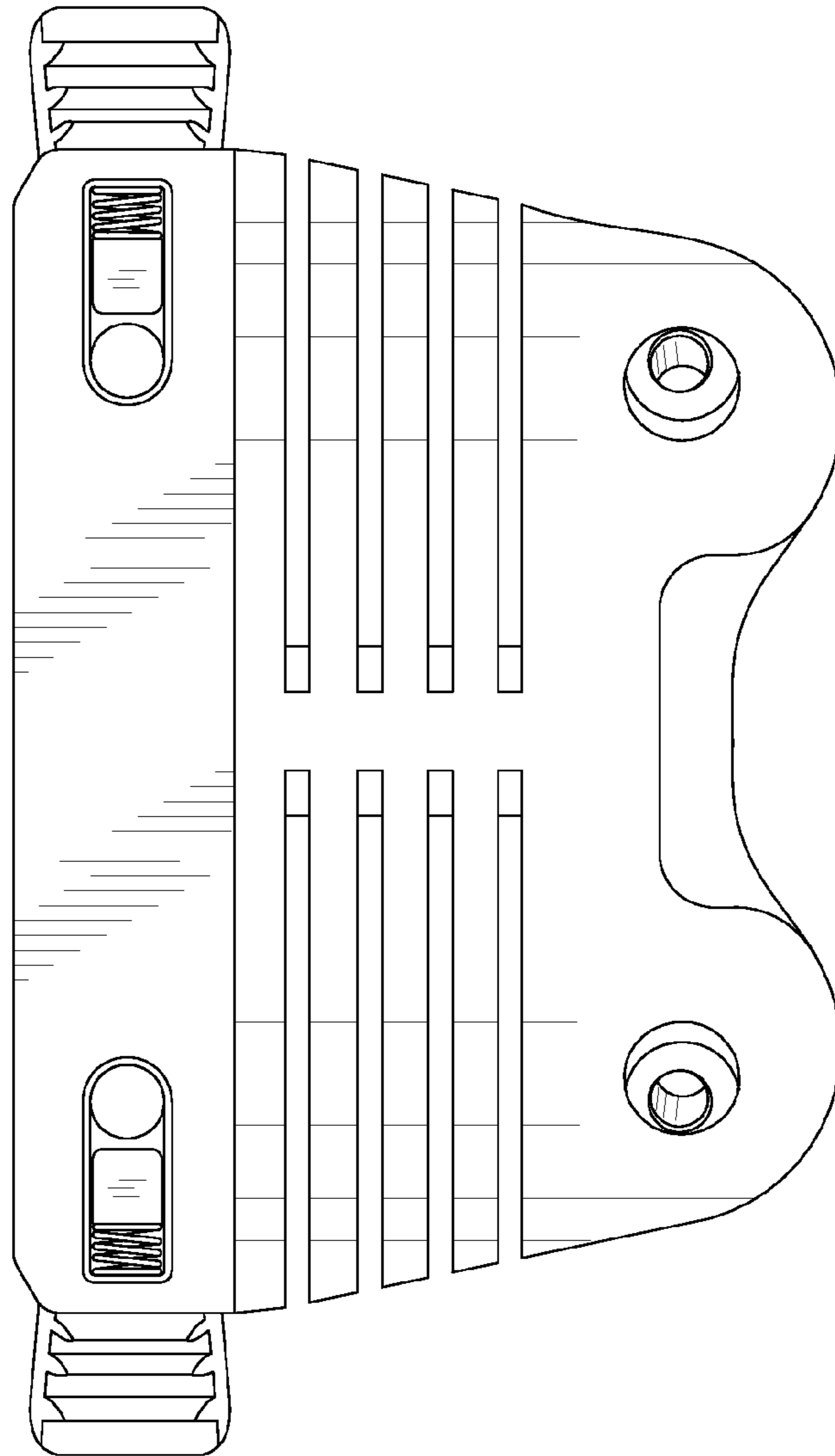


Fig. 2

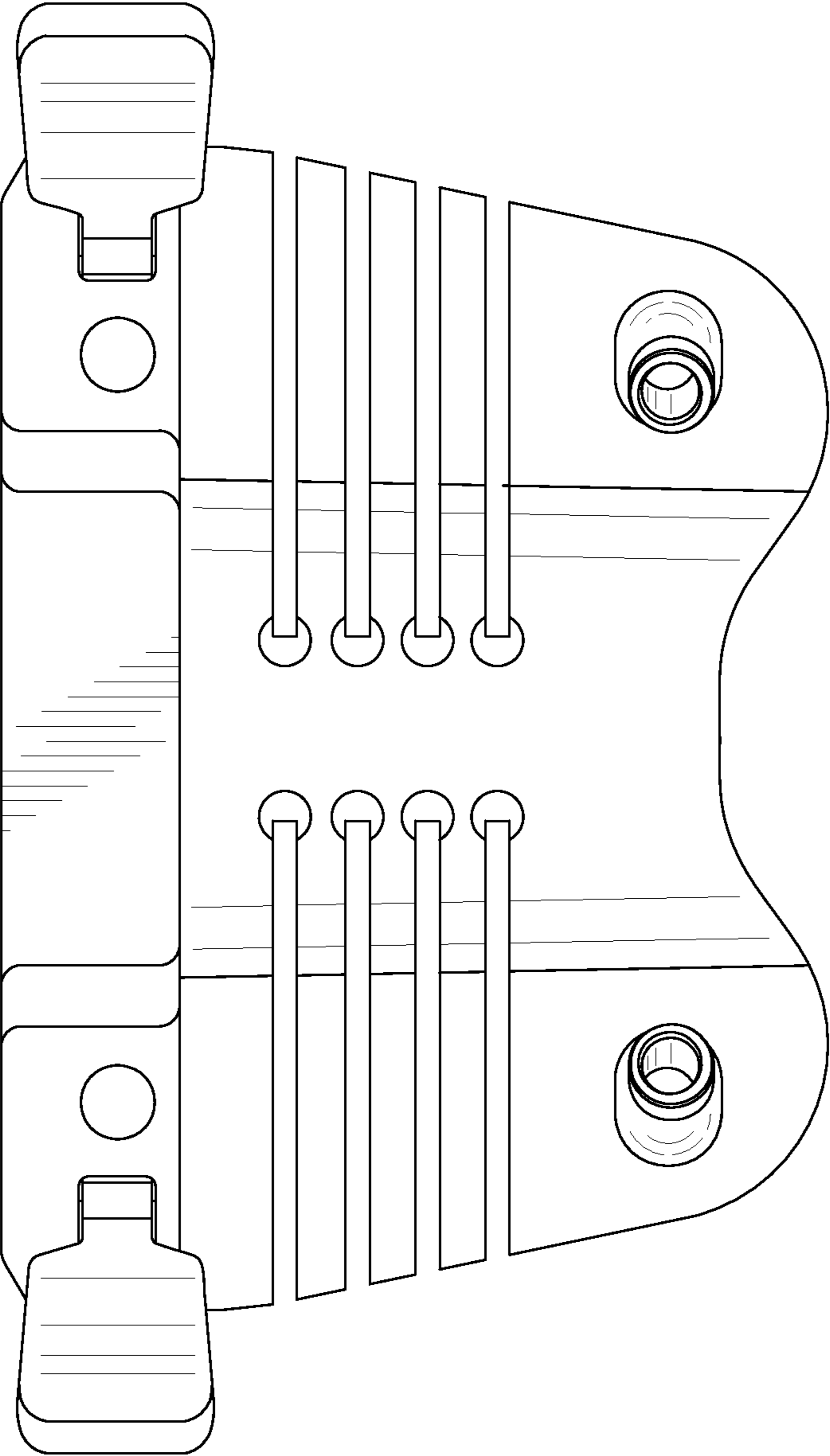


Fig. 3

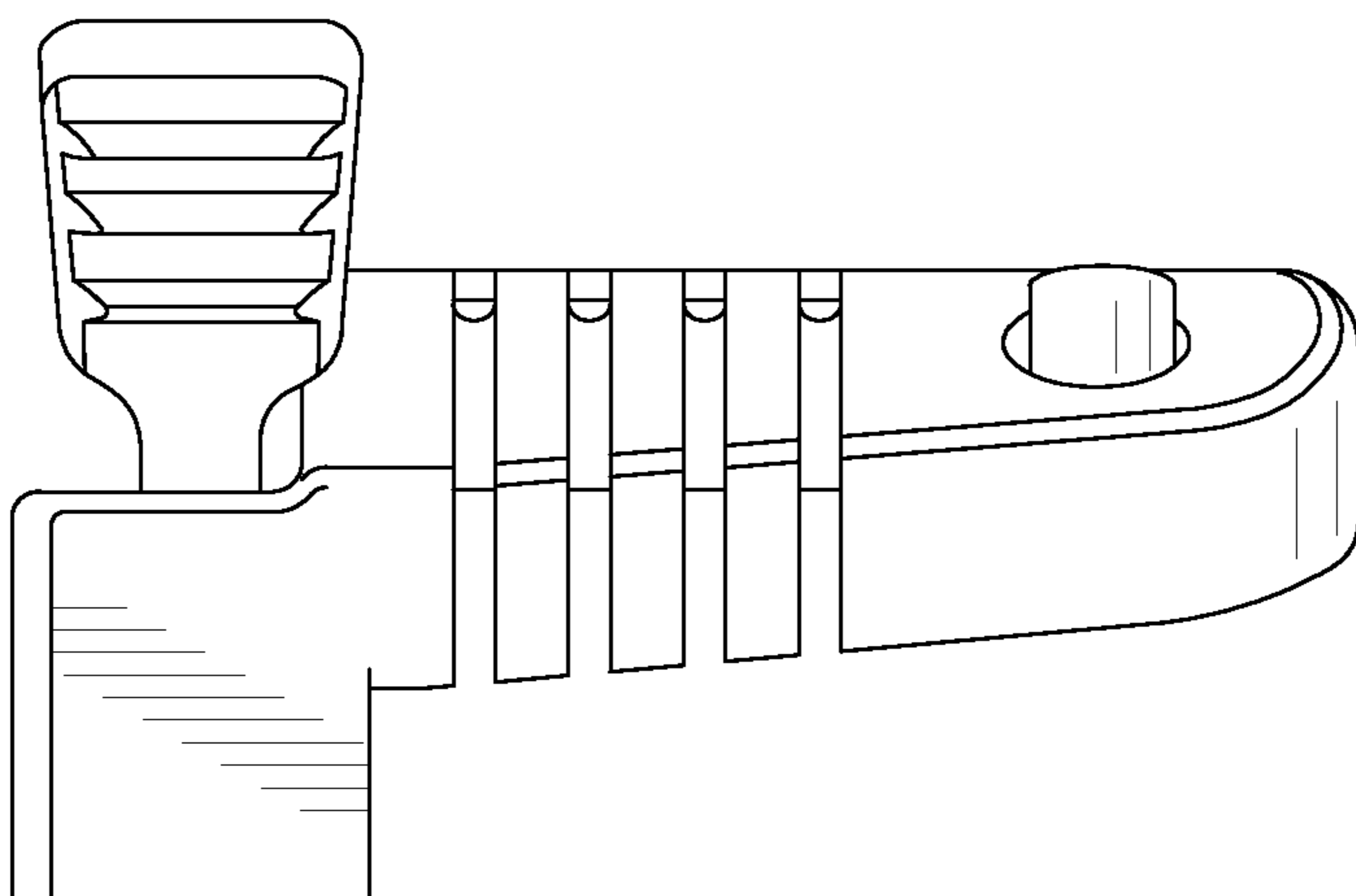


Fig. 5

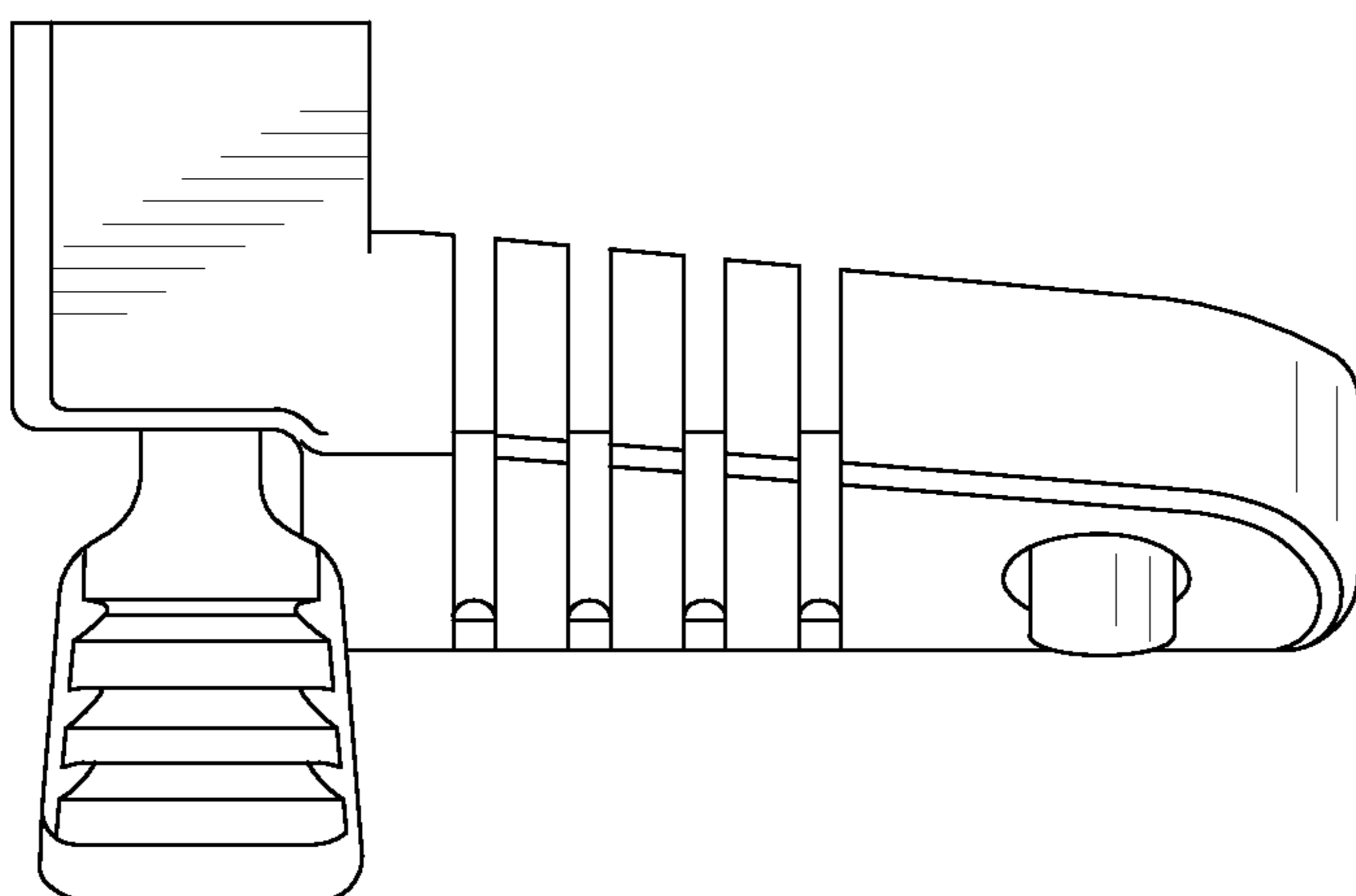


Fig. 4

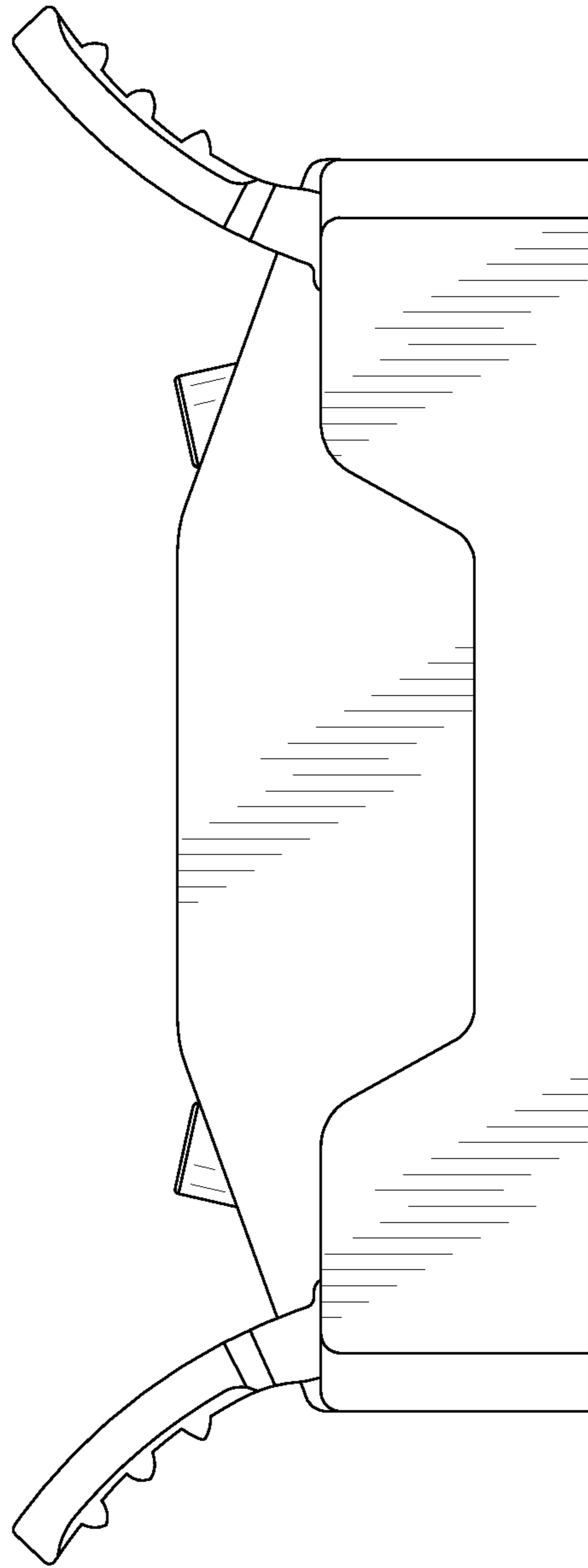


Fig. 6

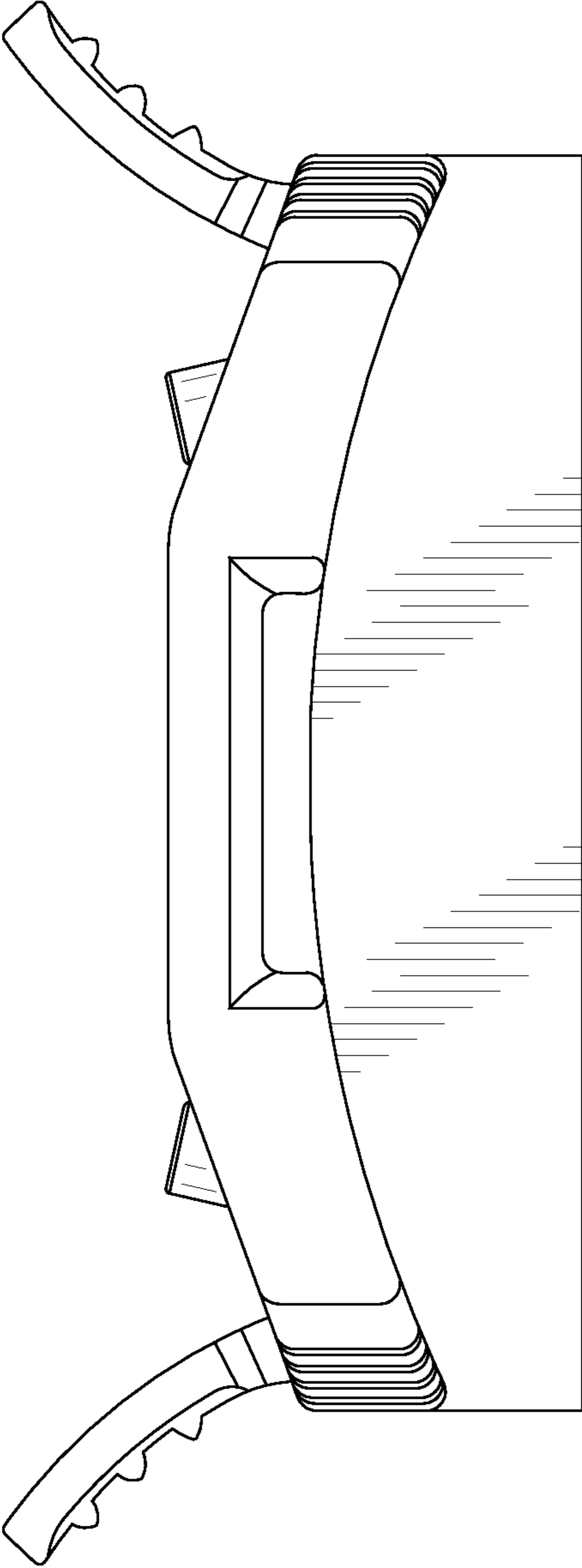


Fig. 7

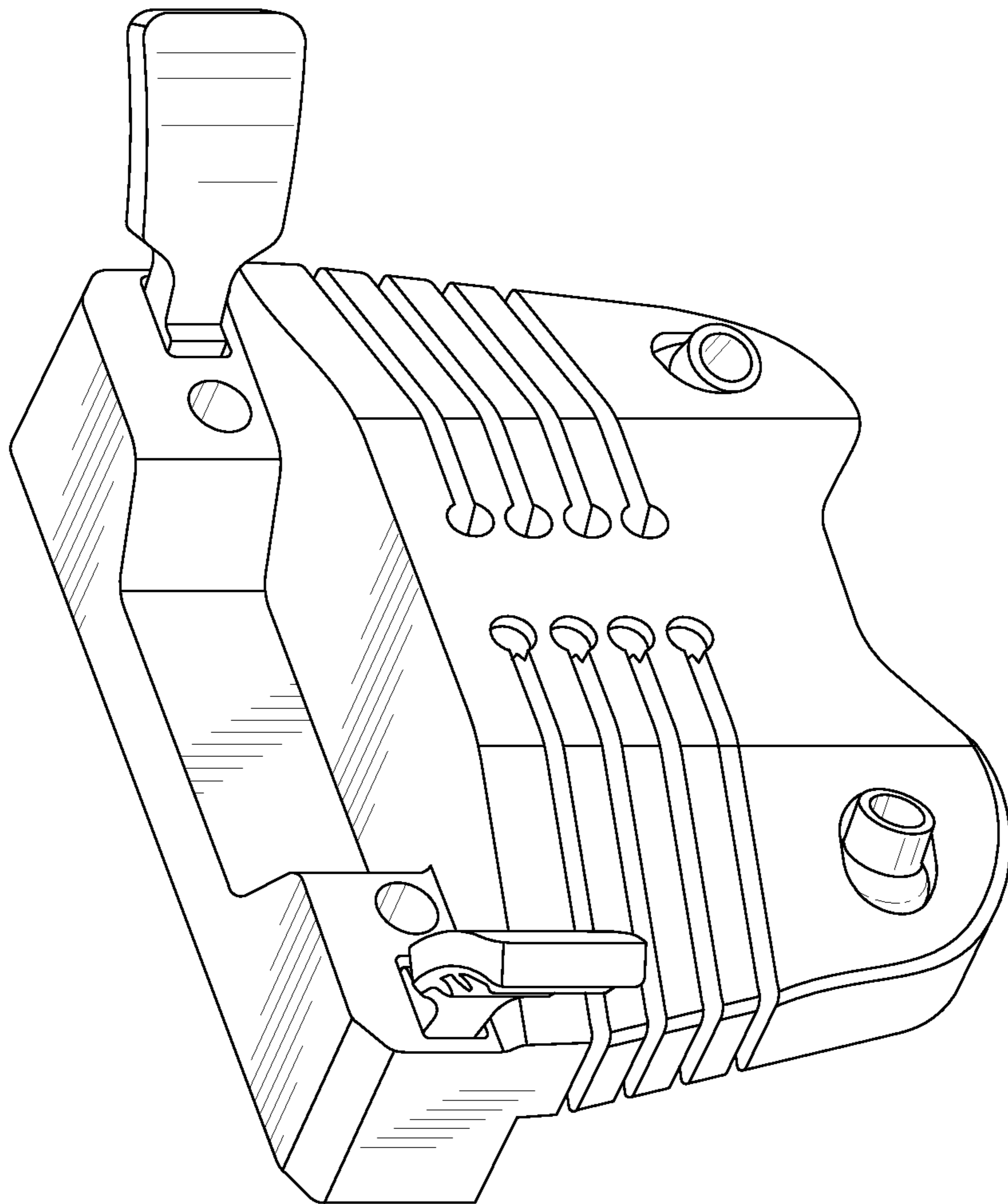


Fig. 8

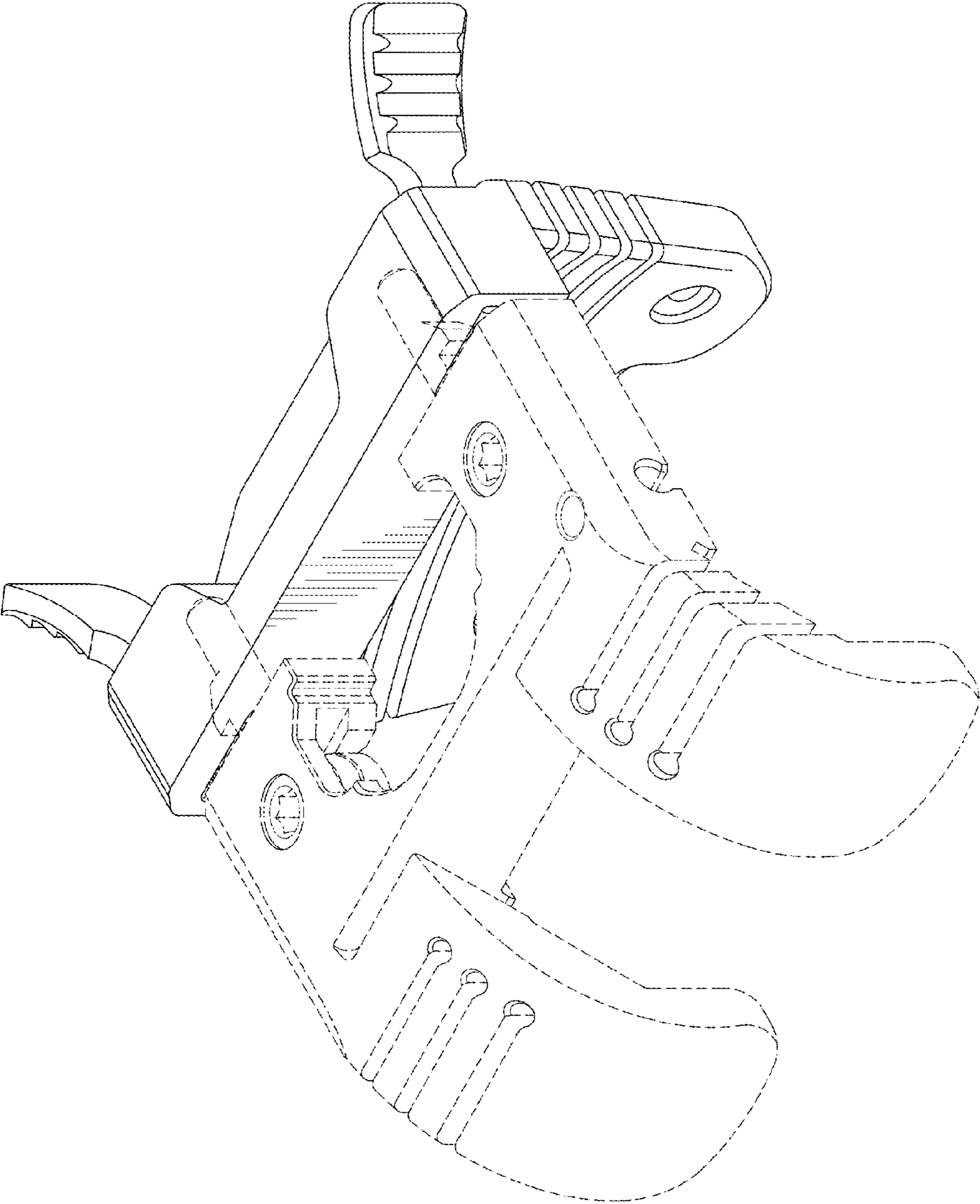


Fig. 9