



US00D733870S

(12) **United States Design Patent**
Broyles et al.

(10) **Patent No.:** **US D733,870 S**
(45) **Date of Patent:** **** Jul. 7, 2015**

- (54) **FLOWABLE SYRINGE**
- (71) Applicant: **3M Innovative Properties Company**,
St. Paul, MN (US)
- (72) Inventors: **Bruce R. Broyles**, Oakdale, MN (US);
Christopher J. Claypool, Woodbury,
MN (US); **Greg E. Schrank**,
Bloomington, MN (US); **Steven J.**
Maxa, Lakeville, MN (US); **Andreas**
Boehm, Reichling (DE)
- (73) Assignee: **3M Innovative Properties Company**,
St. Paul, MN (US)
- (**) Term: **14 Years**
- (21) Appl. No.: **29/483,994**
- (22) Filed: **Mar. 5, 2014**
- (51) **LOC (10) Cl.** **24-02**
- (52) **U.S. Cl.**
USPC **D24/114; D24/176**
- (58) **Field of Classification Search**
USPC D24/152, 176, 112-114, 130; 604/181,
604/187, 184, 227; 433/226, 229, 88-89,
433/80, 90, 215
See application file for complete search history.

D672,873	S	12/2012	An	
D681,808	S *	5/2013	Holaschke et al.	D24/114
D690,813	S	10/2013	Bizzell	
D693,940	S	11/2013	Walter	
D696,787	S	12/2013	Walter	
D698,918	S *	2/2014	Leiner et al.	D24/114
2010/0240004	A1	9/2010	Zalsman	
2011/0114668	A1	5/2011	Bublewitz	
2013/0101955	A1	4/2013	Broyles	
2013/0260335	A1	10/2013	Peuker	

OTHER PUBLICATIONS

Tetric EvoCeram® Bulk Fill, Nano-Hybrid Composite with Ivocerin™, Clinical dentistry courtesy of Marcos Vargas, DDS, MS, University of Iowa, © 2013 Ivoclar Vivadent, 641278 Rev. 3, Feb. 2013, <http://www.ivoclarvivadent.us/zoolu-website/media/document/22053/Tetric+EvoCeram+Bulk+Fill>.
Tetric EvoCeram & Tetric EvoFlow®, Ivoclar Vivodent, Oct. 29, 2013, 10 pages.

* cited by examiner

Primary Examiner — Wan Laymon

(57) **CLAIM**

The ornamental design for a flowable syringe, as shown and described.

DESCRIPTION

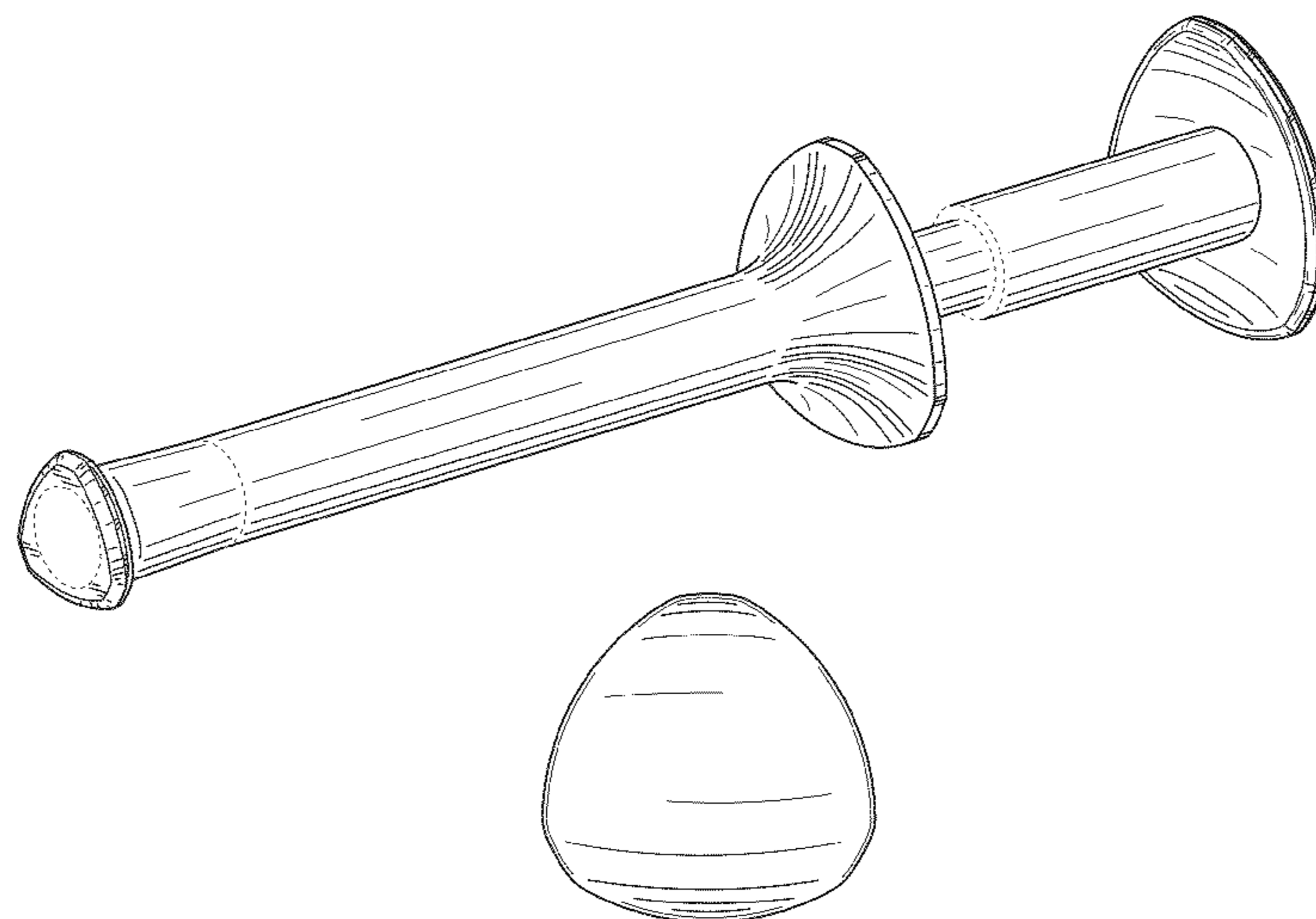
FIG. 1 is a top perspective view of a flowable syringe in accordance with the present disclosure;
FIG. 2 is a front plan view of the flowable syringe of FIG. 1;
FIG. 3 is a rear plan view of the flowable syringe of FIG. 1;
FIG. 4 is a top plan view of the flowable syringe of FIG. 1;
FIG. 5 is a bottom plan view of the flowable syringe of FIG. 1; and,
FIG. 6 is a side view of the flowable syringe of FIG. 1, the opposite side view a mirror image.
The broken lines shown in the figures represent portions of the flowable syringe that form no part of the claimed design.

1 Claim, 2 Drawing Sheets

(56) **References Cited**

U.S. PATENT DOCUMENTS

3,739,947	A	6/1973	Baumann	
D287,877	S *	1/1987	Holewinski et al.	D24/114
4,941,752	A	7/1990	Yant	
5,324,273	A *	6/1994	Discko, Jr.	433/90
5,392,904	A	2/1995	Frick	
D419,236	S *	1/2000	Carlson et al.	D24/114
D421,121	S *	2/2000	Prasad et al.	D24/114
D472,323	S	3/2003	Sand	
6,884,071	B2	4/2005	Martin	
7,562,792	B2	7/2009	Nisbet	
D645,958	S *	9/2011	Assmann et al.	D24/113



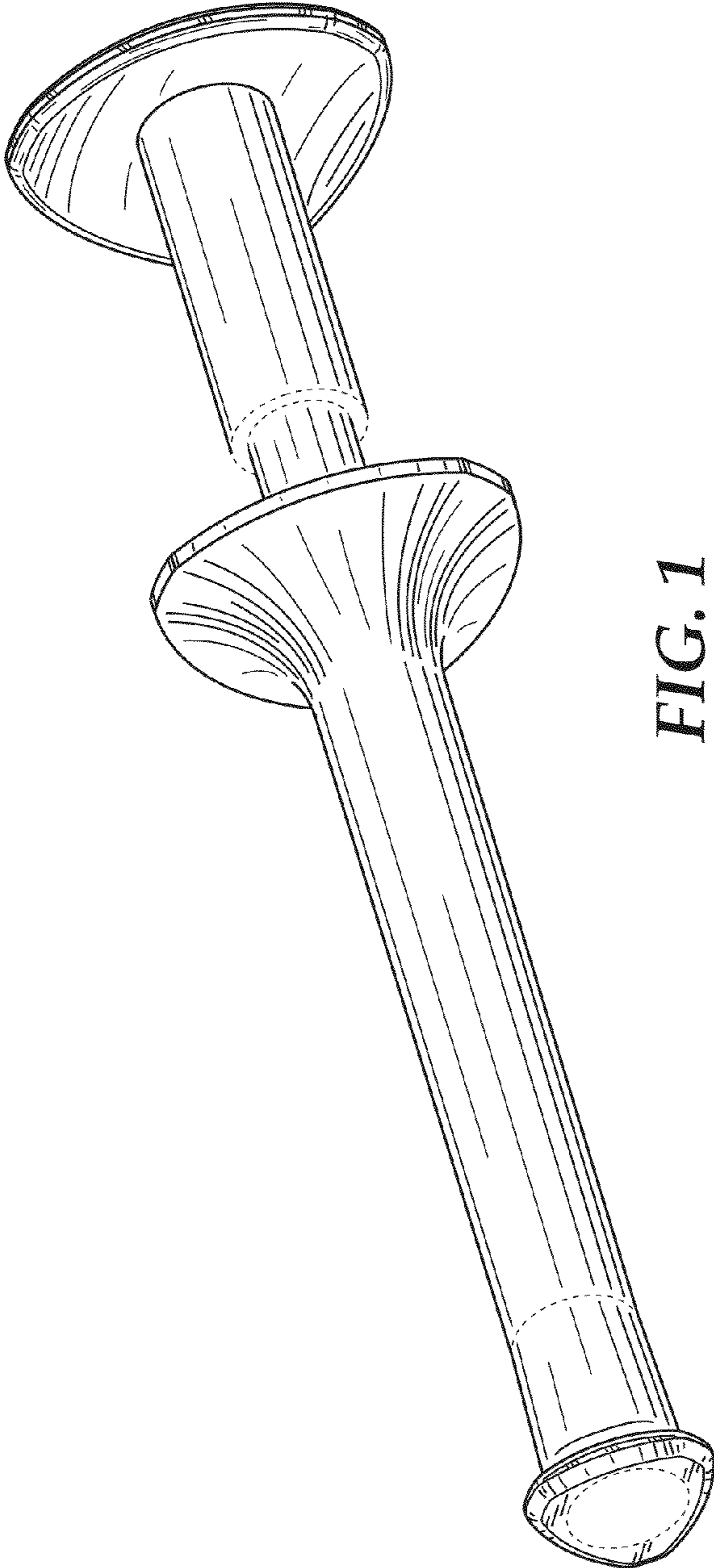


FIG. 1

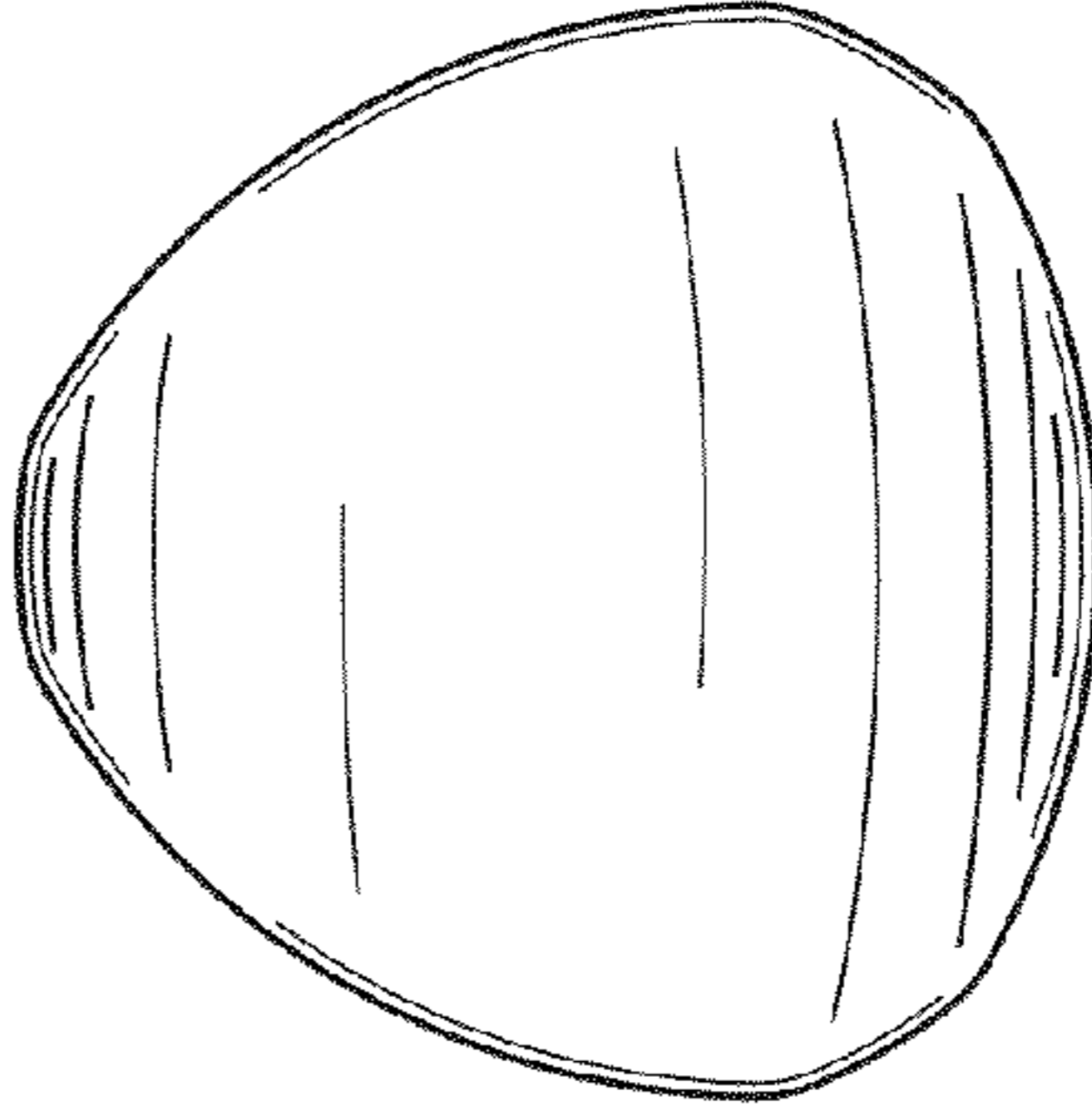


FIG. 3

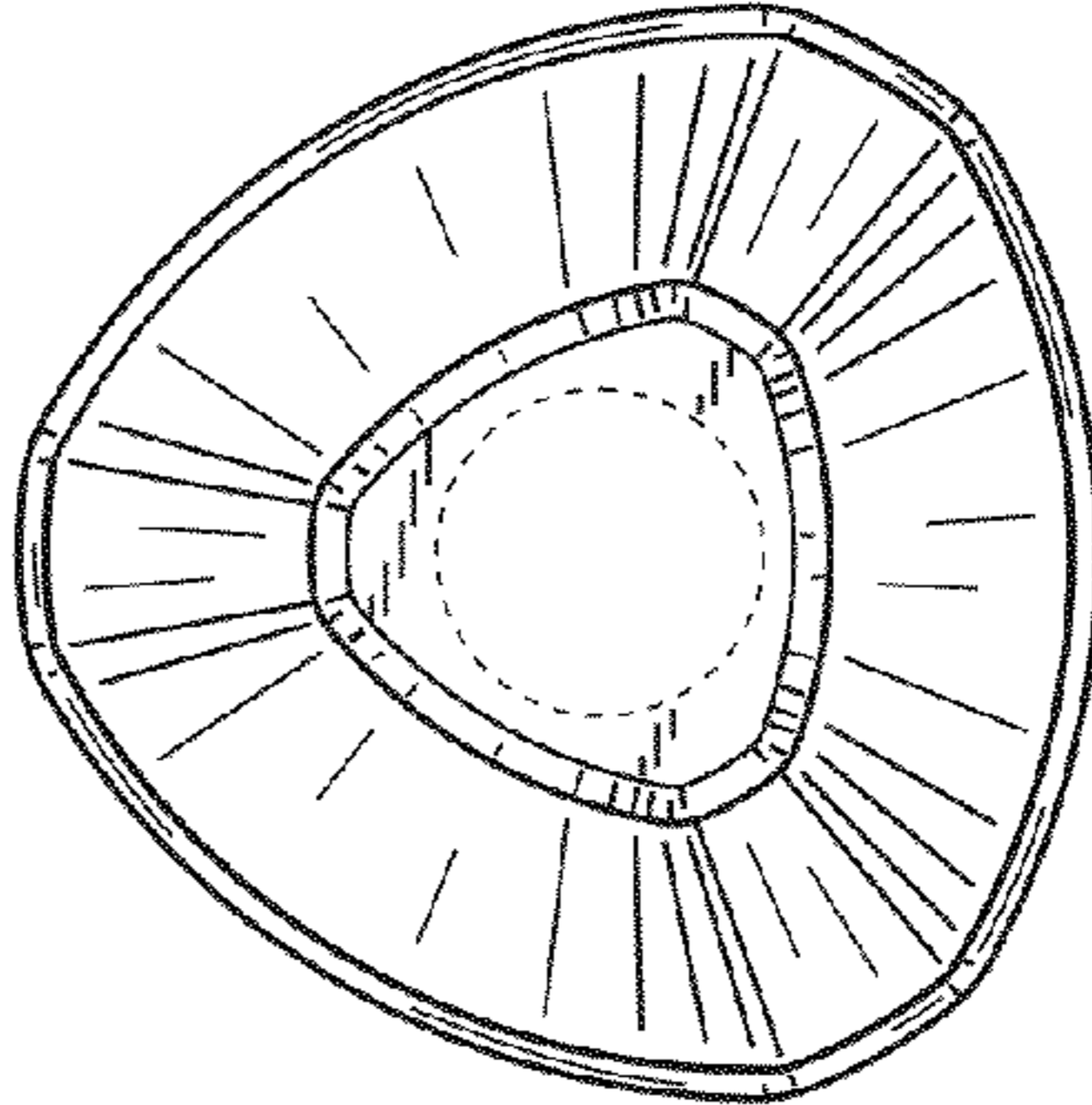


FIG. 2

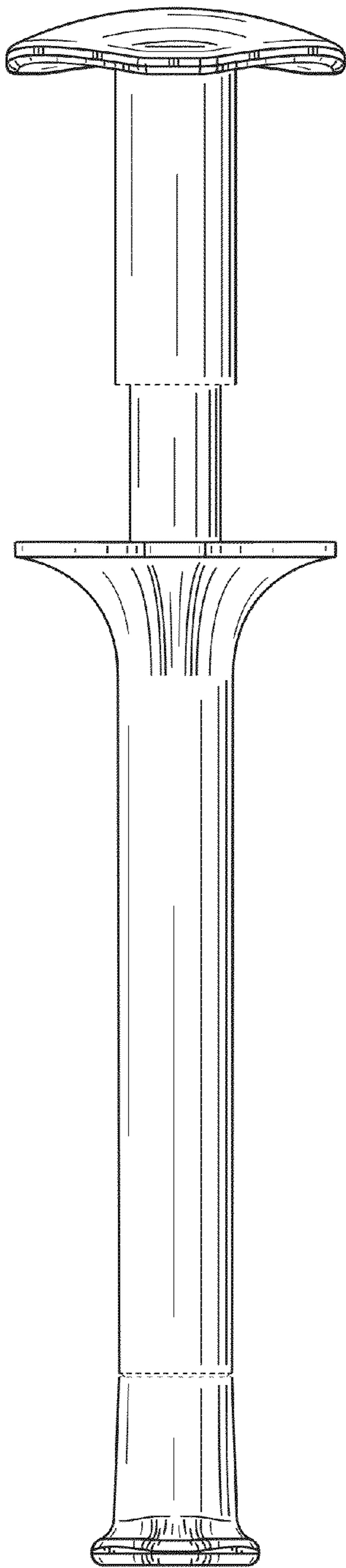


FIG. 4

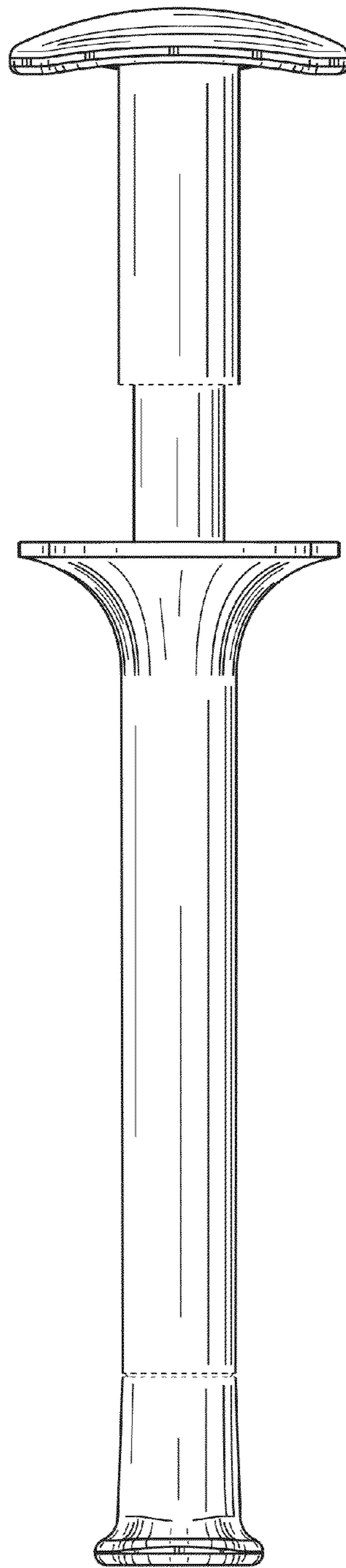


FIG. 5

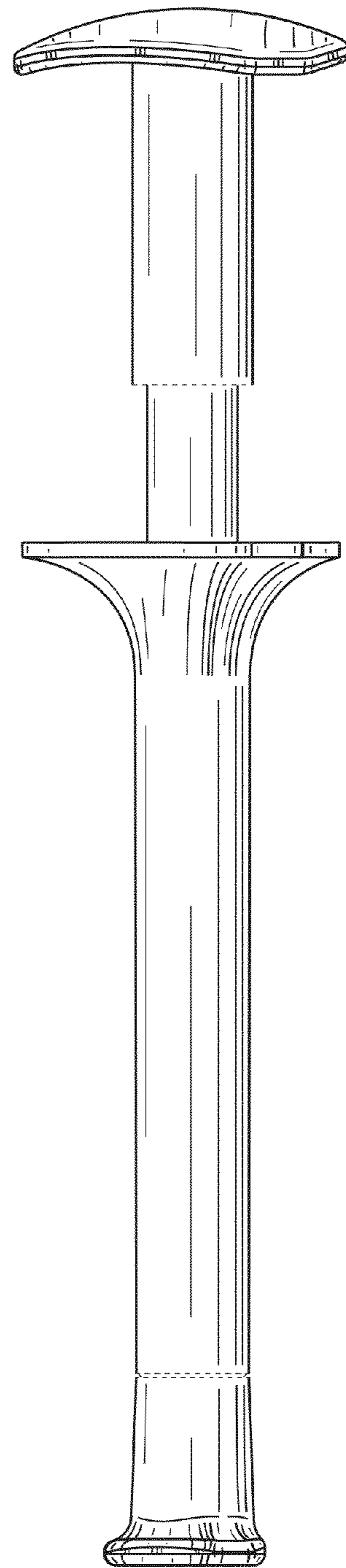


FIG. 6

UNITED STATES PATENT AND TRADEMARK OFFICE
CERTIFICATE OF CORRECTION

PATENT NO. : D733,870 S
APPLICATION NO. : 29/483994
DATED : July 7, 2015
INVENTOR(S) : Broyles et al.

Page 1 of 1

It is certified that error appears in the above-identified patent and that said Letters Patent is hereby corrected as shown below:

Column 2, Title Page, (Other Publications)

Line 3, delete "Viadent," and insert -- Vivadent, --, therefor.

Column 2, Title Page, (Other Publications)

Line 6, delete "Vivodent," and insert -- Vivadent, --, therefor.

Signed and Sealed this
Twenty-sixth Day of April, 2016



Michelle K. Lee
Director of the United States Patent and Trademark Office