



US00D733869S

(12) **United States Design Patent**
Ratjen

(10) **Patent No.:** **US D733,869 S**

(45) **Date of Patent:** **** Jul. 7, 2015**

(54) **HOUSING FOR A MEDICAL INJECTOR**

(71) Applicant: **Carebay Europe Limited**, Swatar (MT)

(72) Inventor: **Jochen Ratjen**, Nacka (SE)

(73) Assignee: **CAREBAY EUROPE LIMITED**,
Valleta (MT)

(**) Term: **14 Years**

(21) Appl. No.: **29/480,583**

(22) Filed: **Jan. 28, 2014**

(30) **Foreign Application Priority Data**

Aug. 30, 2013 (EM) 002299578

(51) **LOC (10) Cl.** **24-02**

(52) **U.S. Cl.**
USPC **D24/113**

(58) **Field of Classification Search**
USPC D24/112-114, 133, 186, 104, 127-131;
606/181, 185; 604/264, 272, 115, 232,
604/187, 158, 164.08, 192, 263, 163, 181,
604/184, 198, 227; 600/101, 139, 143;
128/200.24, 207.14, 207.15

See application file for complete search history.

(56) **References Cited**

U.S. PATENT DOCUMENTS

D430,293 S * 8/2000 Jansen D24/129
6,585,685 B2 * 7/2003 Staylor et al. 604/68
D553,738 S * 10/2007 Simonson D24/133
D621,036 S * 8/2010 Maxa et al. D24/130
D621,039 S * 8/2010 Maxa et al. D24/130
D621,930 S * 8/2010 Maxa et al. D24/130

D626,648 S * 11/2010 Ahlgren D24/130
D663,836 S * 7/2012 Ruiz et al. D24/133
D676,131 S * 2/2013 Pala et al. D24/113
D676,957 S * 2/2013 Schneider et al. D24/113
D703,314 S * 4/2014 Schneider et al. D24/113

OTHER PUBLICATIONS

Amber Auto Injector from SHL Group, <http://www.shl-group.com/en/products/shl-medical/amber-autoinjector.html>.*

* cited by examiner

Primary Examiner — David Muller

Assistant Examiner — Nathan Johnston

(74) *Attorney, Agent, or Firm* — McDonnell Boehnen Hulbert & Berghoff LLP

(57) **CLAIM**

The ornamental design for a housing of a medical injector, as shown and described.

DESCRIPTION

FIG. 1 is a perspective view of the housing viewed from the front and left of and above the medical injector with a cap portion of the housing removed from a proximal portion of the housing;

FIG. 2 is a right side view of the housing;

FIG. 3 is a top view of the housing;

FIG. 4 is a left side view thereof;

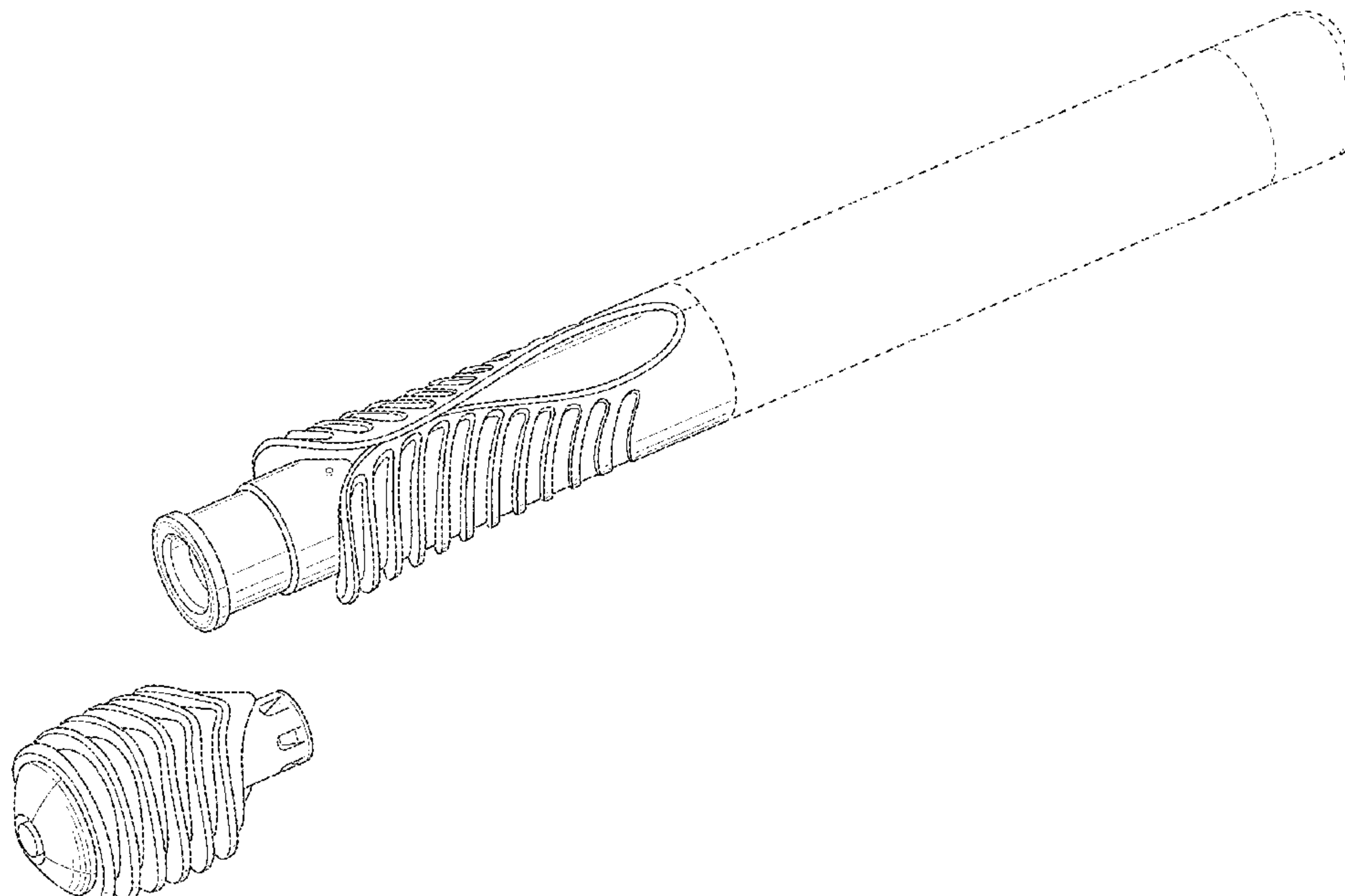
FIG. 5 is a bottom view thereof;

FIG. 6 is a rear end view thereof; and,

FIG. 7 is a front end view thereof.

The broken line showing is for the purpose of illustrating portions of the article and forms no part of the claimed design. The broken line which defines the bounds of the claimed invention forms no part of the claimed design.

1 Claim, 7 Drawing Sheets



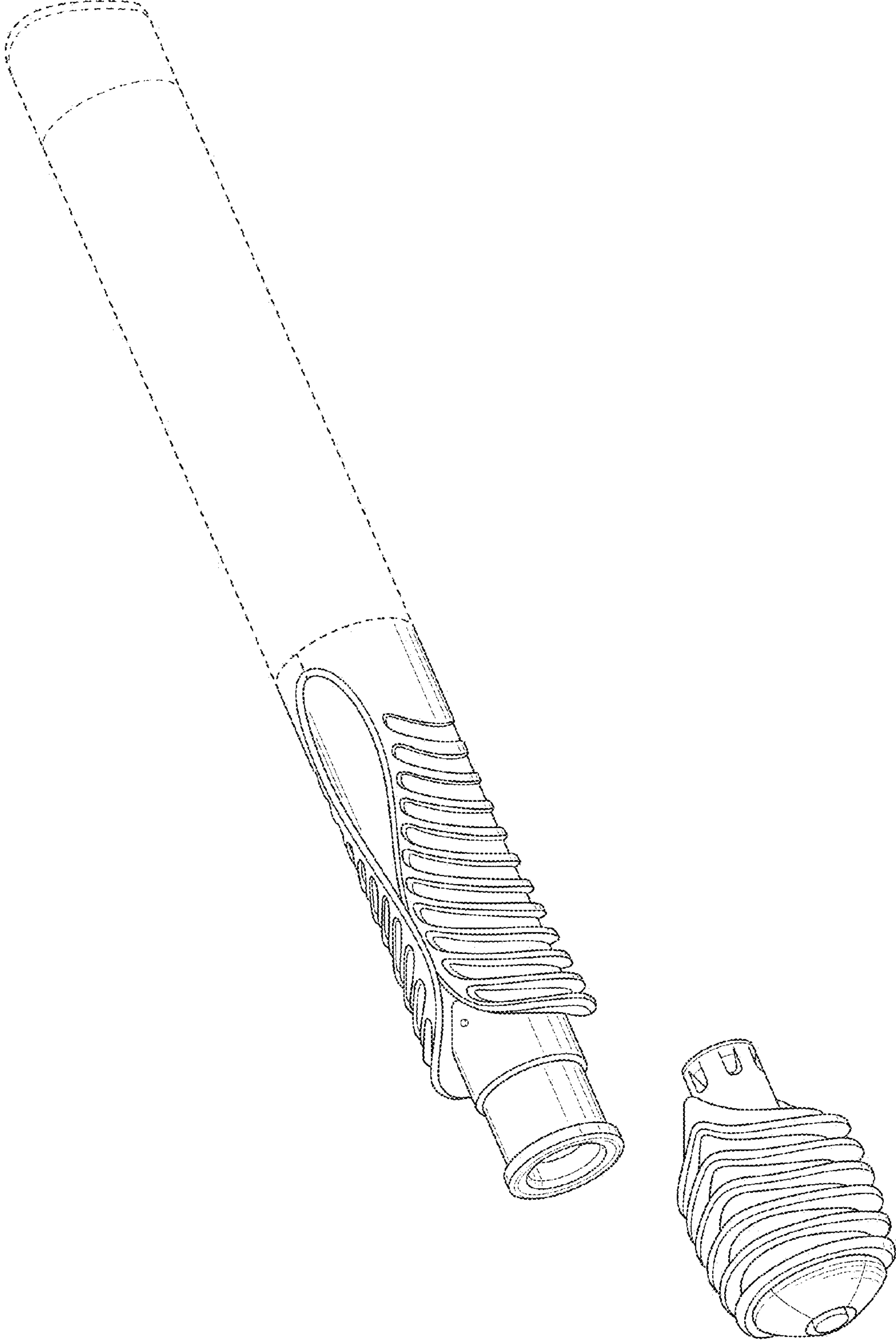


FIG. 1

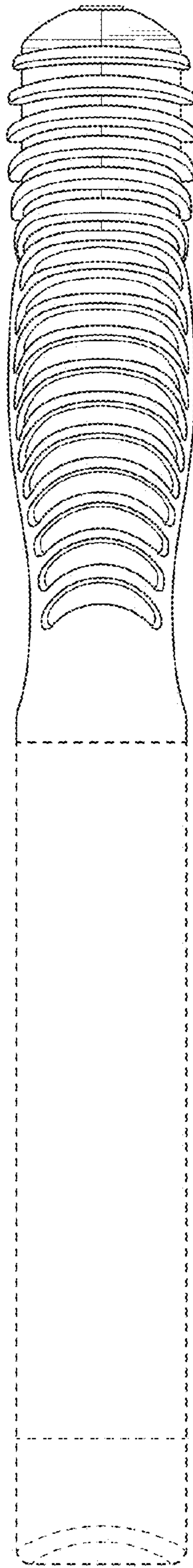


FIG. 2

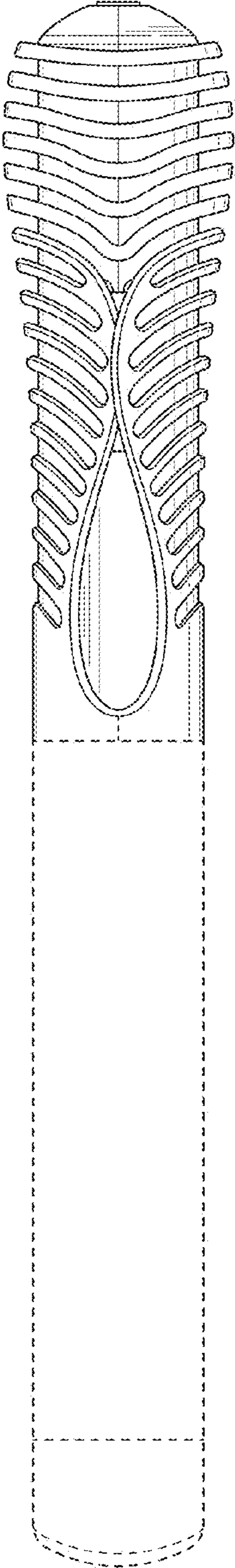


FIG. 3

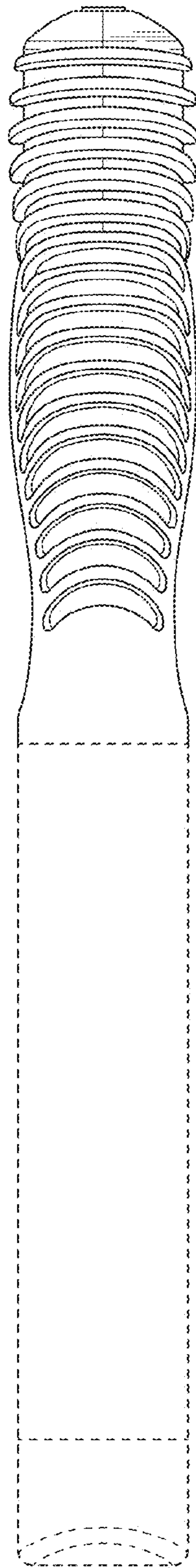


FIG. 4

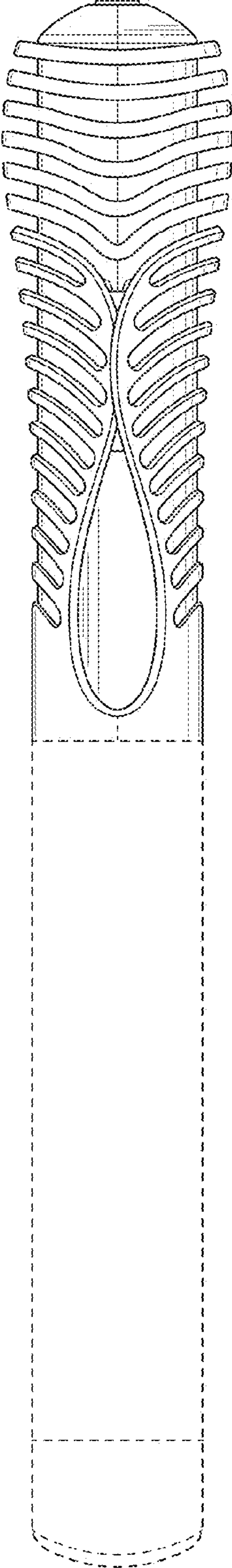


FIG. 5

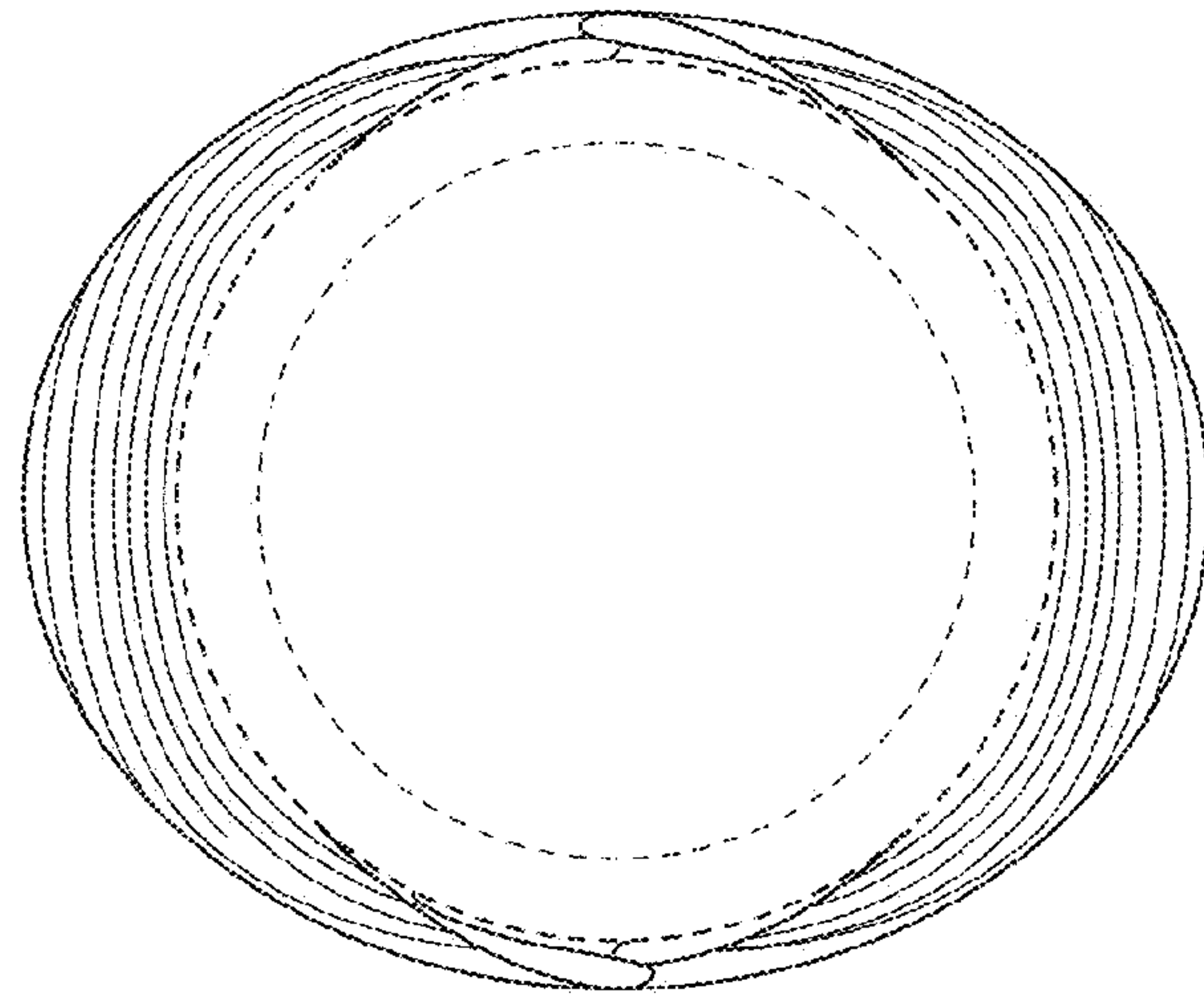


FIG. 6

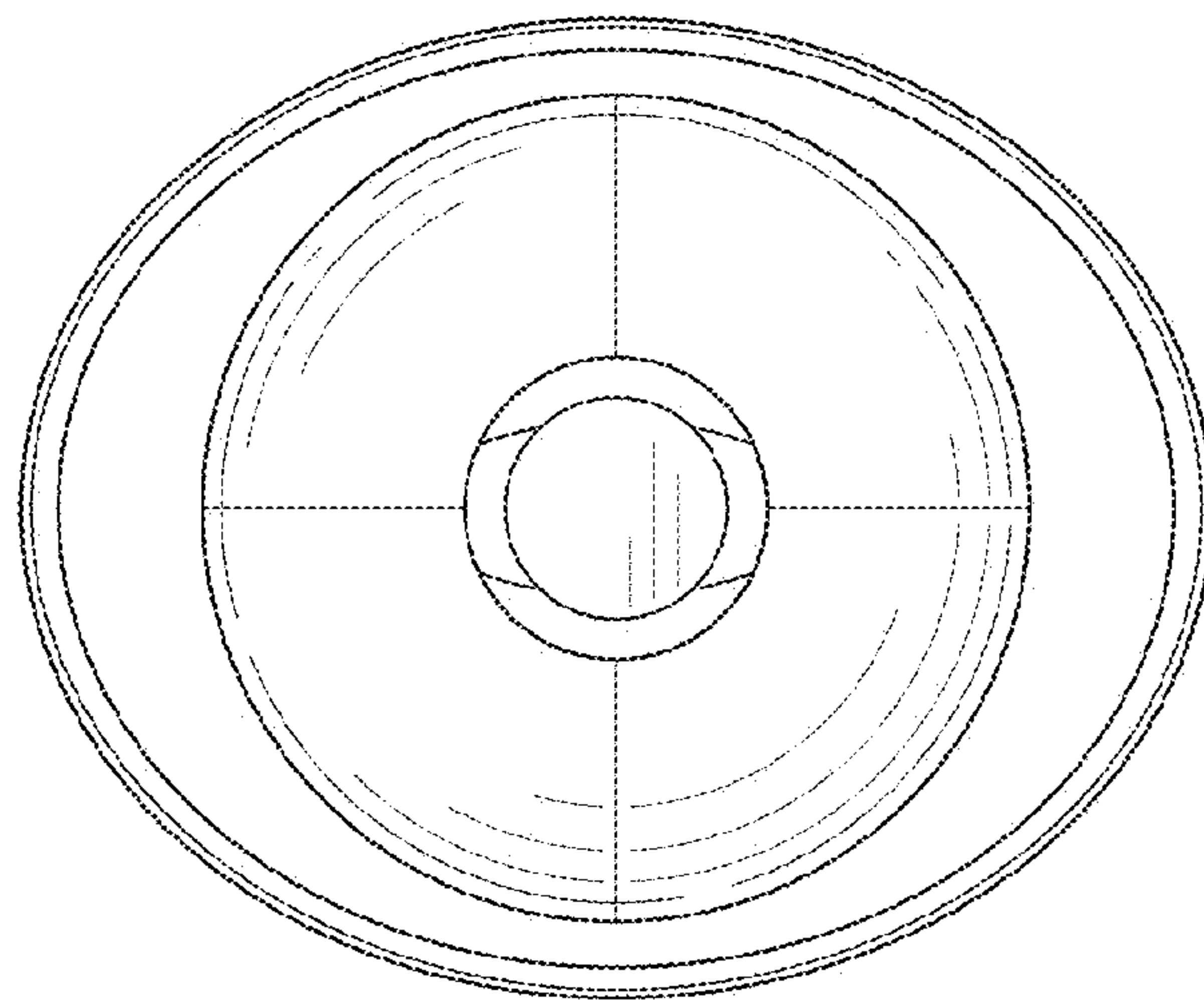


FIG. 7