



US00D733868S

(12) **United States Design Patent**
Boaz et al.

(10) **Patent No.:** **US D733,868 S**

(45) **Date of Patent:** **** Jul. 7, 2015**

(54) **MEDICAL DEVICE FOR PERISTALTIC PUMP**

(71) Applicants: **Amos Boaz**, Shores (IL); **Omer Havron**, Tel Aviv (IL)

(72) Inventors: **Amos Boaz**, Shores (IL); **Omer Havron**, Tel Aviv (IL)

(73) Assignee: **Q-core Medical Ltd.**, Petach Tikva (IL)

(**) Term: **14 Years**

(21) Appl. No.: **29/476,285**

(22) Filed: **Dec. 12, 2013**

(30) **Foreign Application Priority Data**

Jun. 23, 2013 (IL) 54232

(51) **LOC (10) Cl.** **24-02**

(52) **U.S. Cl.**
USPC **D24/111**

(58) **Field of Classification Search**
USPC D24/111, 108, 127-130, 110;
137/561 R; 141/18, 22-24, 27-28;
604/93.01, 151, 7-8, 34, 67, 123, 131,
604/142, 152-154

See application file for complete search history.

(56) **References Cited**

U.S. PATENT DOCUMENTS

4,662,829 A * 5/1987 Nehring 417/395
D371,194 S * 6/1996 Marston et al. D24/111
5,575,632 A * 11/1996 Morris et al. 417/477.2
D504,507 S * 4/2005 Ziegler et al. D24/111

D642,677 S * 8/2011 Boaz D24/111
D667,946 S * 9/2012 Levesque et al. D24/111
D687,948 S * 8/2013 Levesque et al. D24/111
D706,415 S * 6/2014 Levesque et al. D24/111
2011/0152772 A1* 6/2011 Rotem et al. 604/153

* cited by examiner

Primary Examiner — Wan Laymon

Assistant Examiner — Mark Booker

(74) *Attorney, Agent, or Firm* — Eitan, Mehulal & Sadot

(57) **CLAIM**

The ornamental design for a medical device for peristaltic pump, as shown and described.

DESCRIPTION

FIG. 1 is a perspective view of the medical device for peristaltic pump;

FIG. 2 is a front view of the medical device for peristaltic pump;

FIG. 3 is a rear view of the medical device for peristaltic pump;

FIG. 4 is a right side view of the medical device for peristaltic pump;

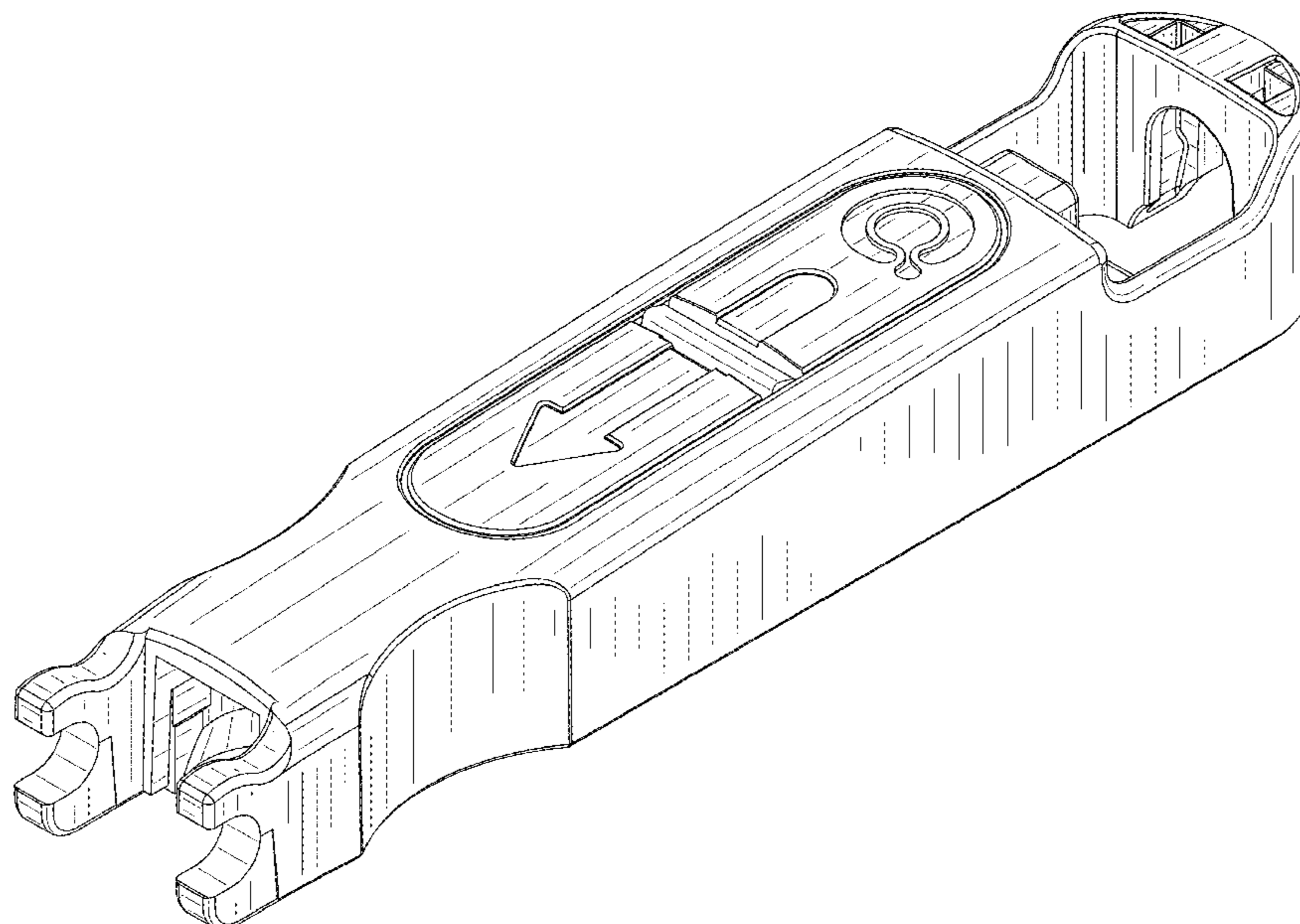
FIG. 5 is a left side view of the medical device for peristaltic pump;

FIG. 6 is a top view of the medical device for peristaltic pump; and,

FIG. 7 is a bottom view of the medical device for peristaltic pump.

The broken lines in FIGS. 6 and 7 are included for the purpose of illustrating a portion of the article that forms no part the claimed design.

1 Claim, 4 Drawing Sheets



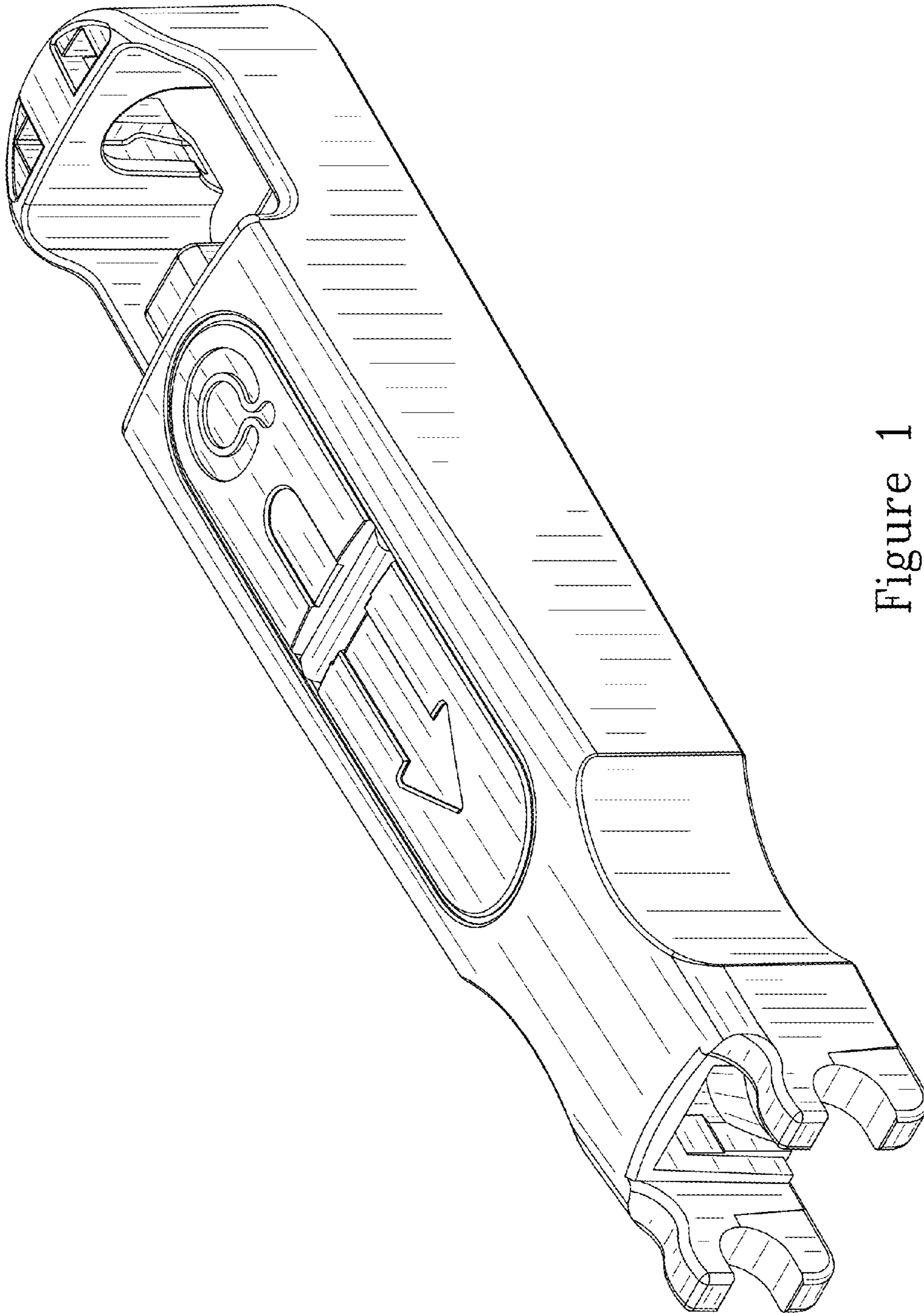


Figure 1

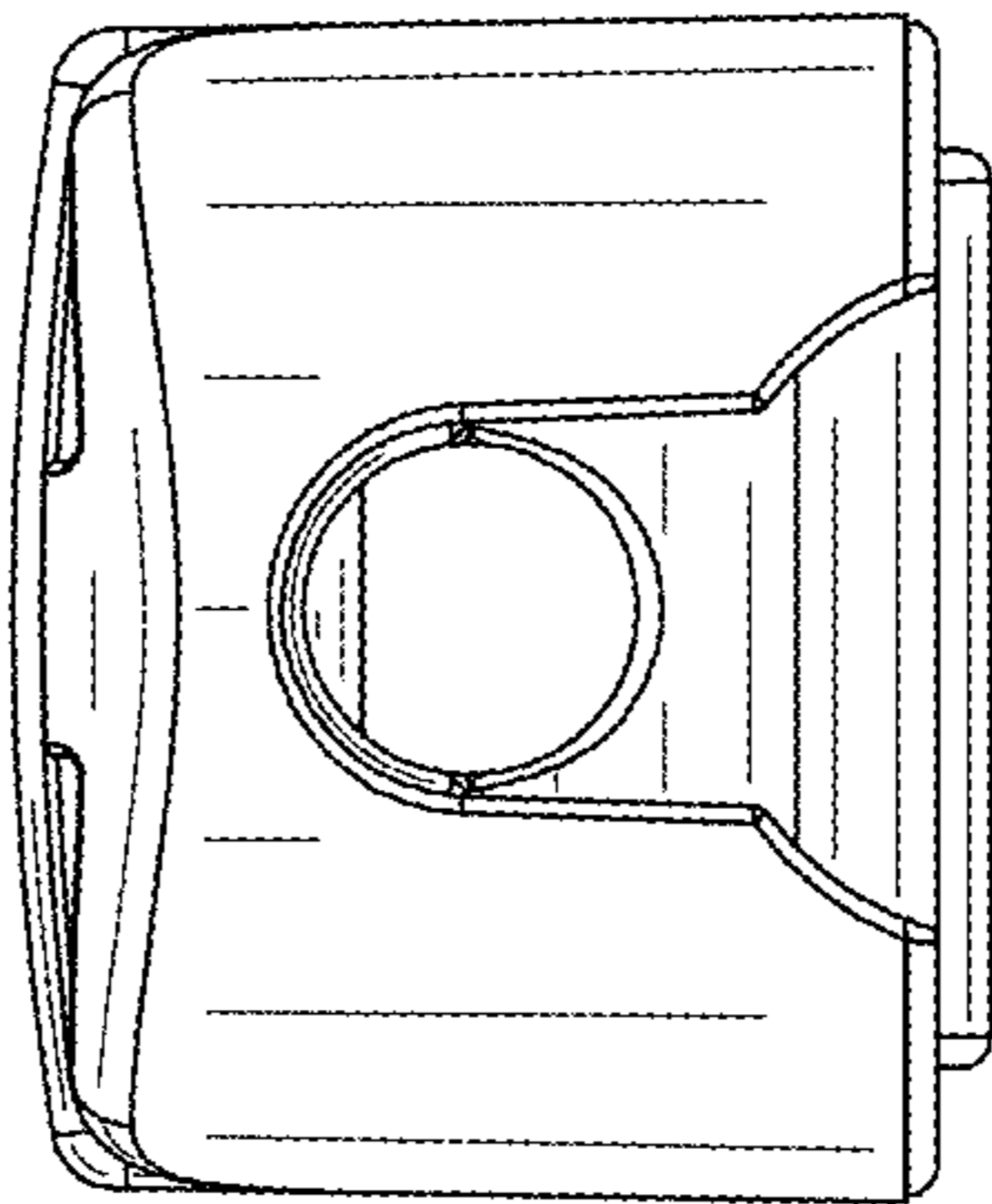


Figure 3

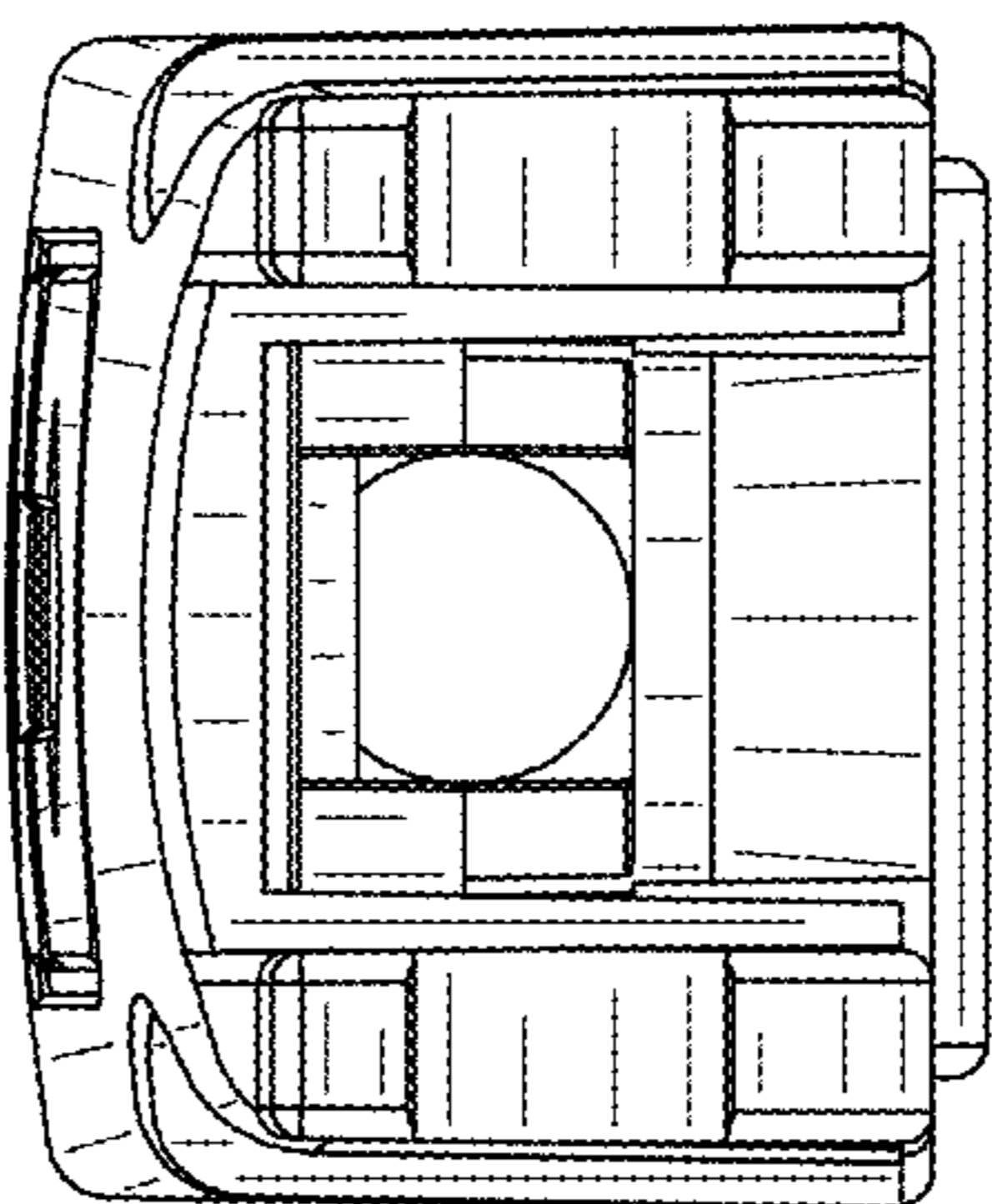


Figure 2

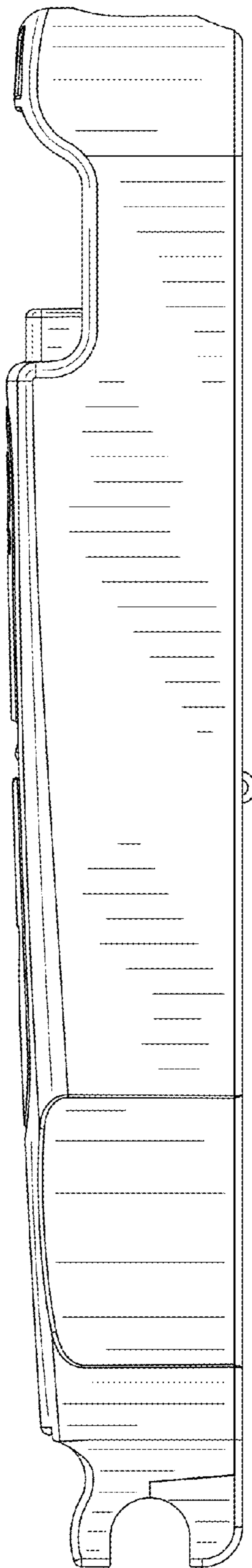


Figure 4

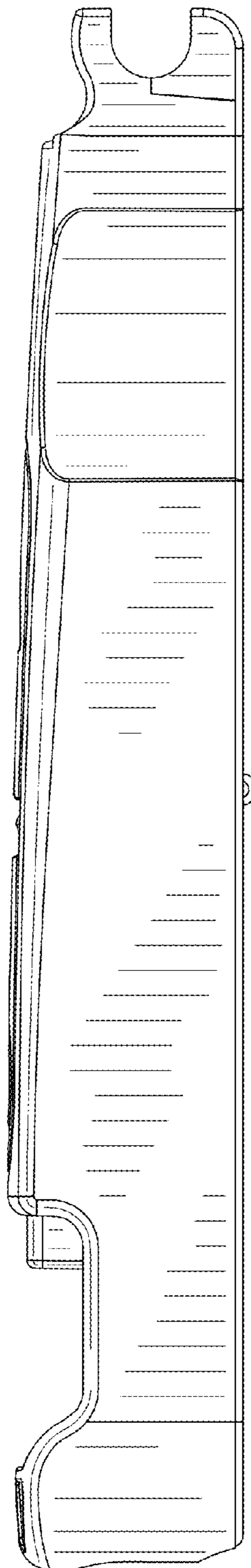


Figure 5

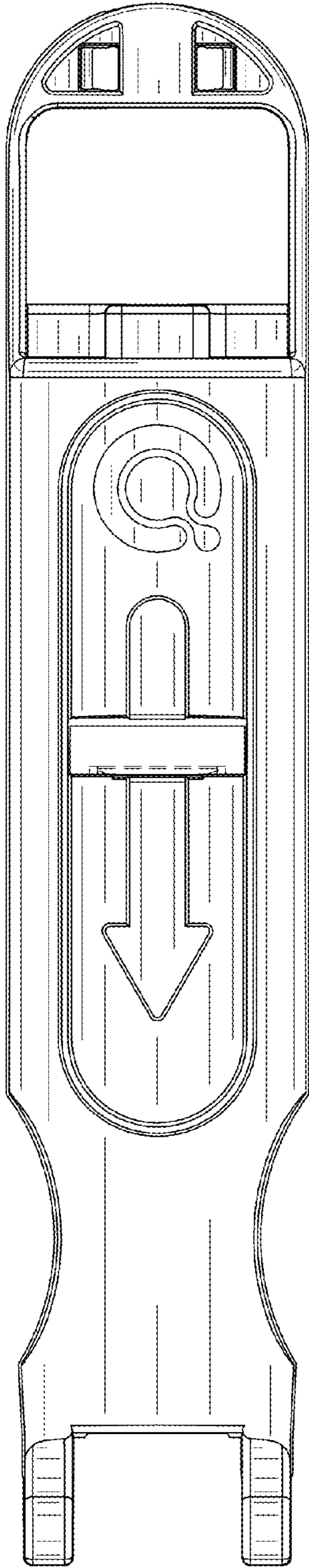


Figure 6

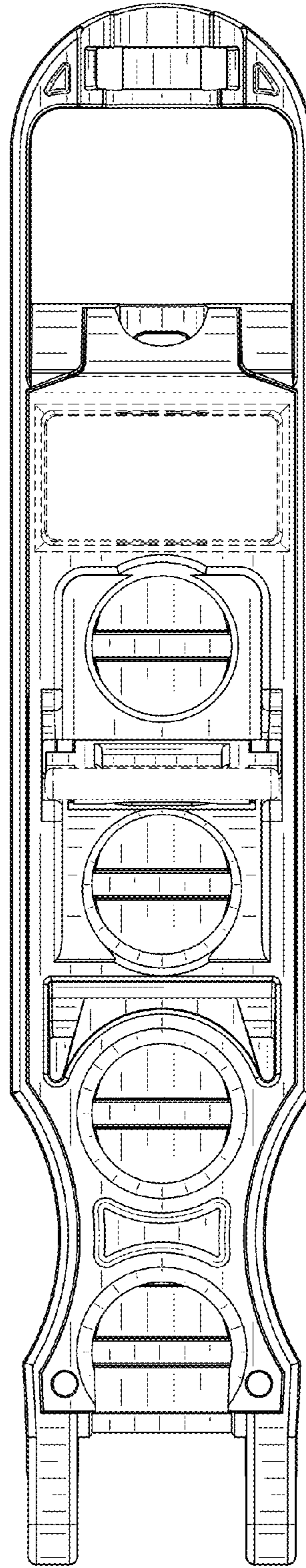


Figure 7