



US00D733867S

(12) **United States Design Patent**
Gerg et al.

(10) **Patent No.:** **US D733,867 S**
(45) **Date of Patent:** **** Jul. 7, 2015**

(54) **SURGICAL CASSETTE FOR A SURGICAL SYSTEM**

(75) Inventors: **James Gerg**, Lake Forest, CA (US);
Mark W. Ross, Costa Mesa, CA (US)

(73) Assignee: **ABBOTT MEDICAL OPTICS INC.**,
Santa Ana, CA (US)

(**) Term: **14 Years**

(21) Appl. No.: **29/416,070**

(22) Filed: **Mar. 17, 2012**

(51) **LOC (10) Cl.** **24-02**

(52) **U.S. Cl.**
USPC **D24/111**
CPC **F04B 43/00** (2013.01)

(58) **Field of Classification Search**
USPC D24/111; 604/30–35, 317–319,
604/521–540; 606/166–171; 417/474,
417/477.2
CPC F04B 43/00–43/14
See application file for complete search history.

(56) **References Cited**

U.S. PATENT DOCUMENTS

5,676,530	A *	10/1997	Nazarifar	417/360
6,059,544	A *	5/2000	Jung et al.	417/477.2
D557,804	S *	12/2007	Muri et al.	D24/111
D616,539	S *	5/2010	McGill	D24/111
7,712,360	B2 *	5/2010	Jones et al.	73/200
7,833,206	B1 *	11/2010	Lumpkin et al.	604/319
8,048,047	B2 *	11/2011	Domash	604/319

8,348,879	B2 *	1/2013	Gao et al.	604/19
8,398,582	B2 *	3/2013	Gordon et al.	604/67
8,512,014	B2 *	8/2013	Walter et al.	417/477.2
8,545,198	B2 *	10/2013	Artsyukhovich et al.	..	417/477.2
D698,019	S *	1/2014	Oliveira	D24/111
2001/0016711	A1 *	8/2001	Sorensen et al.	604/153
2003/0225363	A1 *	12/2003	Gordon et al.	604/35
2005/0186098	A1 *	8/2005	Davis et al.	417/477.2
2007/0107490	A1 *	5/2007	Artsyukhovich et al.	73/1.16
2008/0015515	A1 *	1/2008	Hopkins et al.	604/244
2008/0058727	A1 *	3/2008	Domash et al.	604/174
2008/0147023	A1 *	6/2008	Hopkins et al.	604/318

* cited by examiner

Primary Examiner — Richard E Chilcot

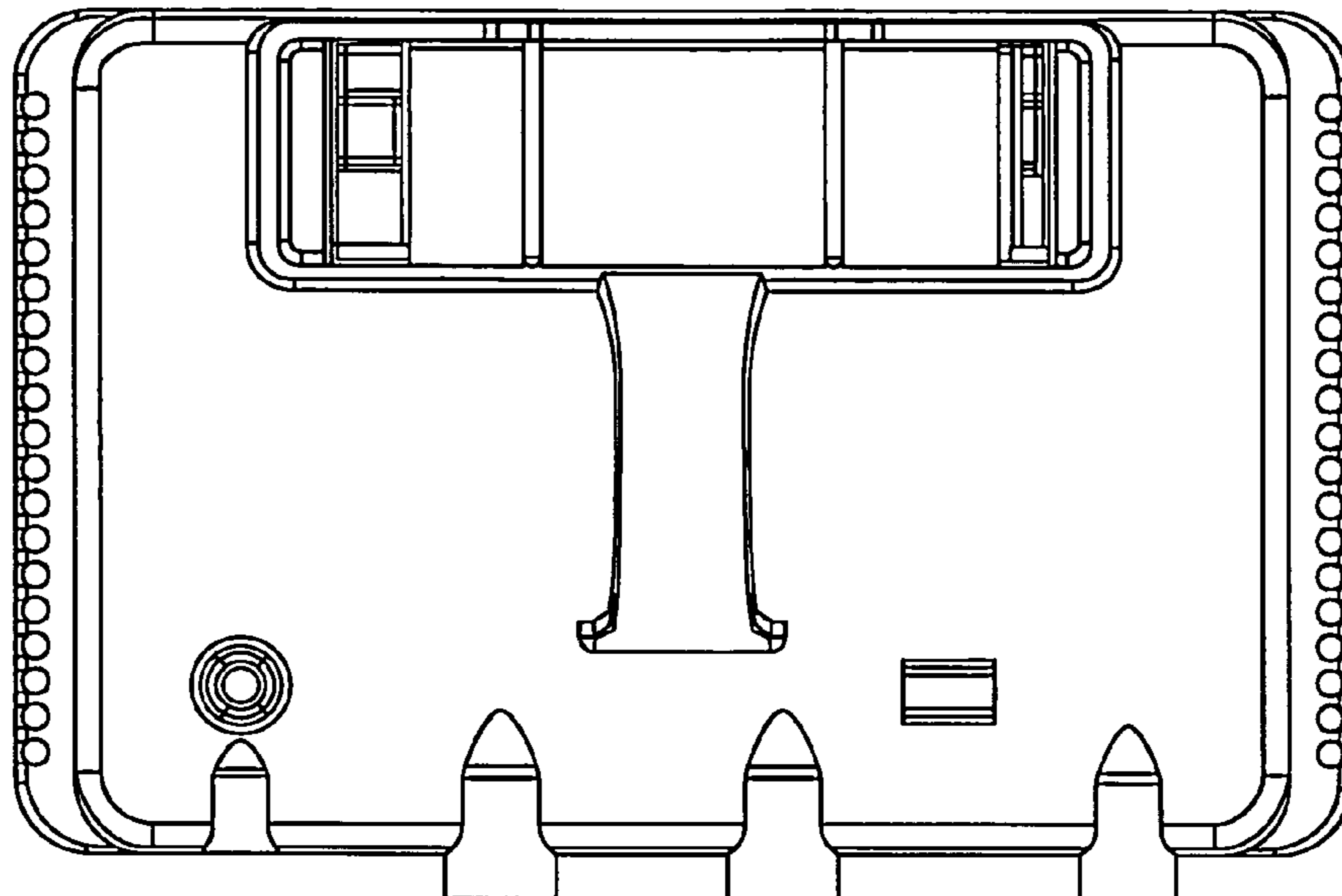
(57) **CLAIM**

We claim the ornamental design for a surgical cassette for a surgical system, substantially as shown and described.

DESCRIPTION

FIG. 1 is a front elevational view of a surgical cassette showing our new design;
FIG. 2 is a front perspective view thereof;
FIG. 3 is a front perspective view thereof;
FIG. 4 is a back perspective view thereof;
FIG. 5 is a bottom elevational view thereof; and,
FIG. 6 is a top elevational view thereof.
FIGS. 4-6 show features of a surgical cassette with broken lines. These features are for illustrating reference or environmental structure only and do not form any part of the claimed design.

1 Claim, 3 Drawing Sheets



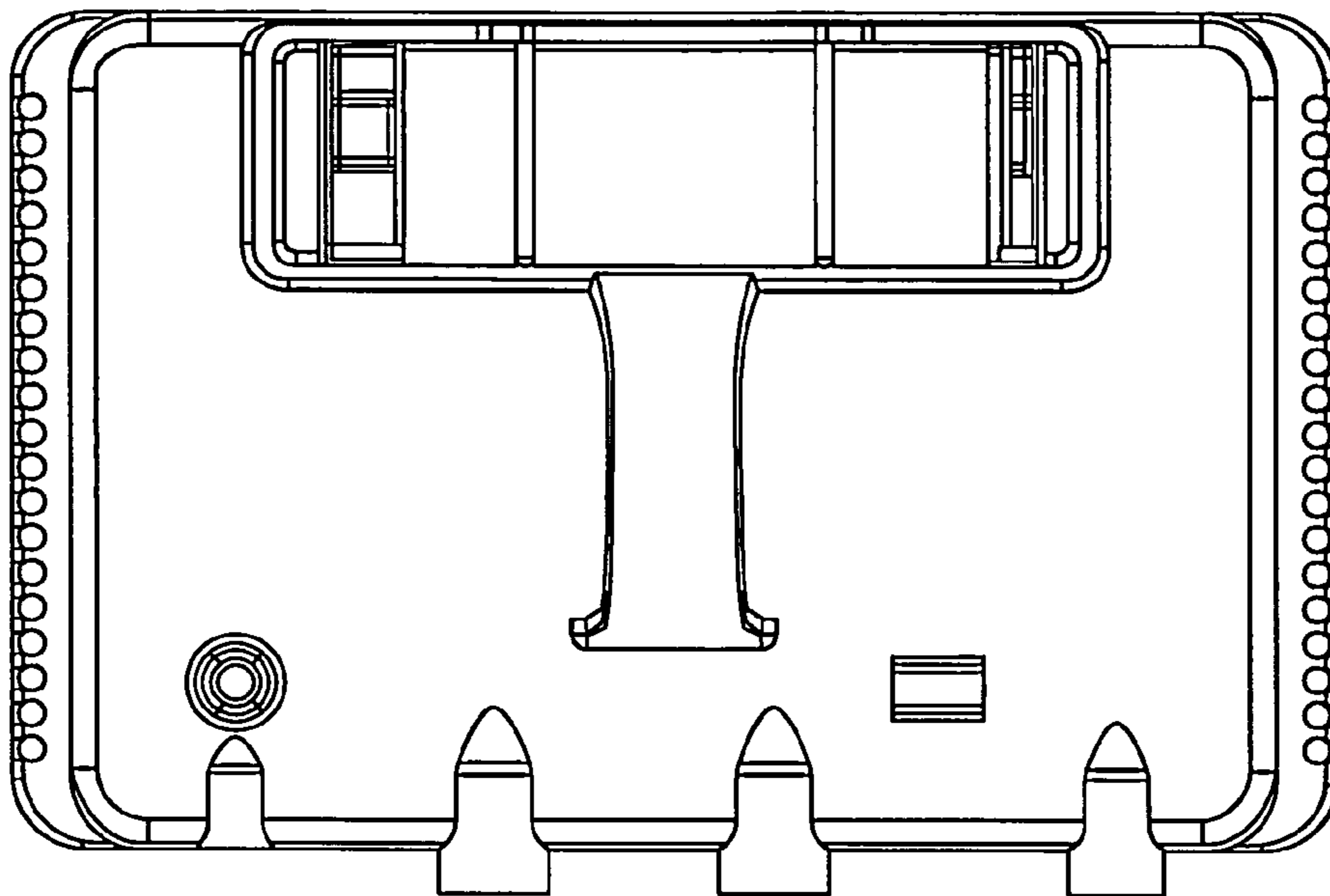


FIG. 1

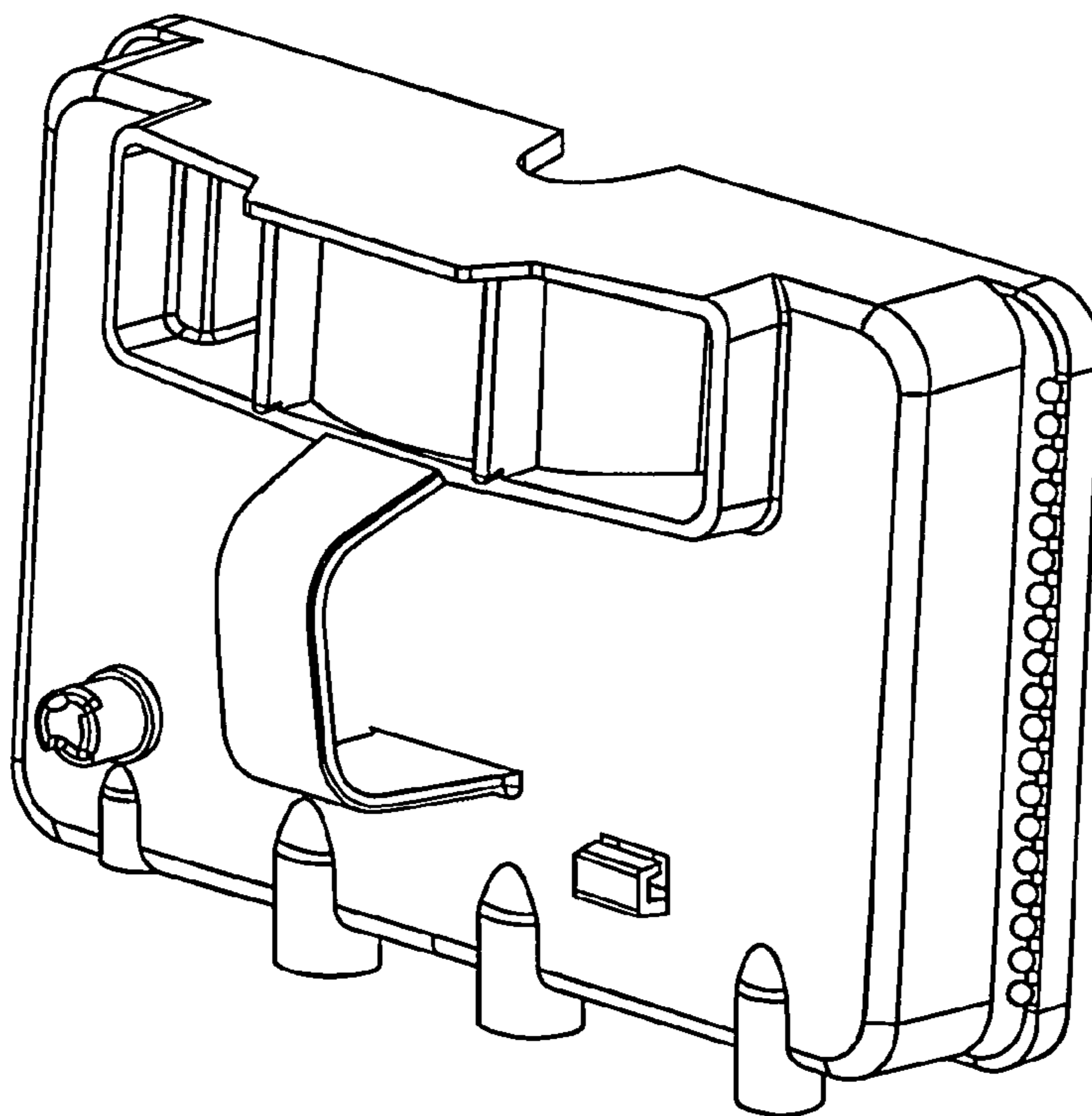


FIG. 2

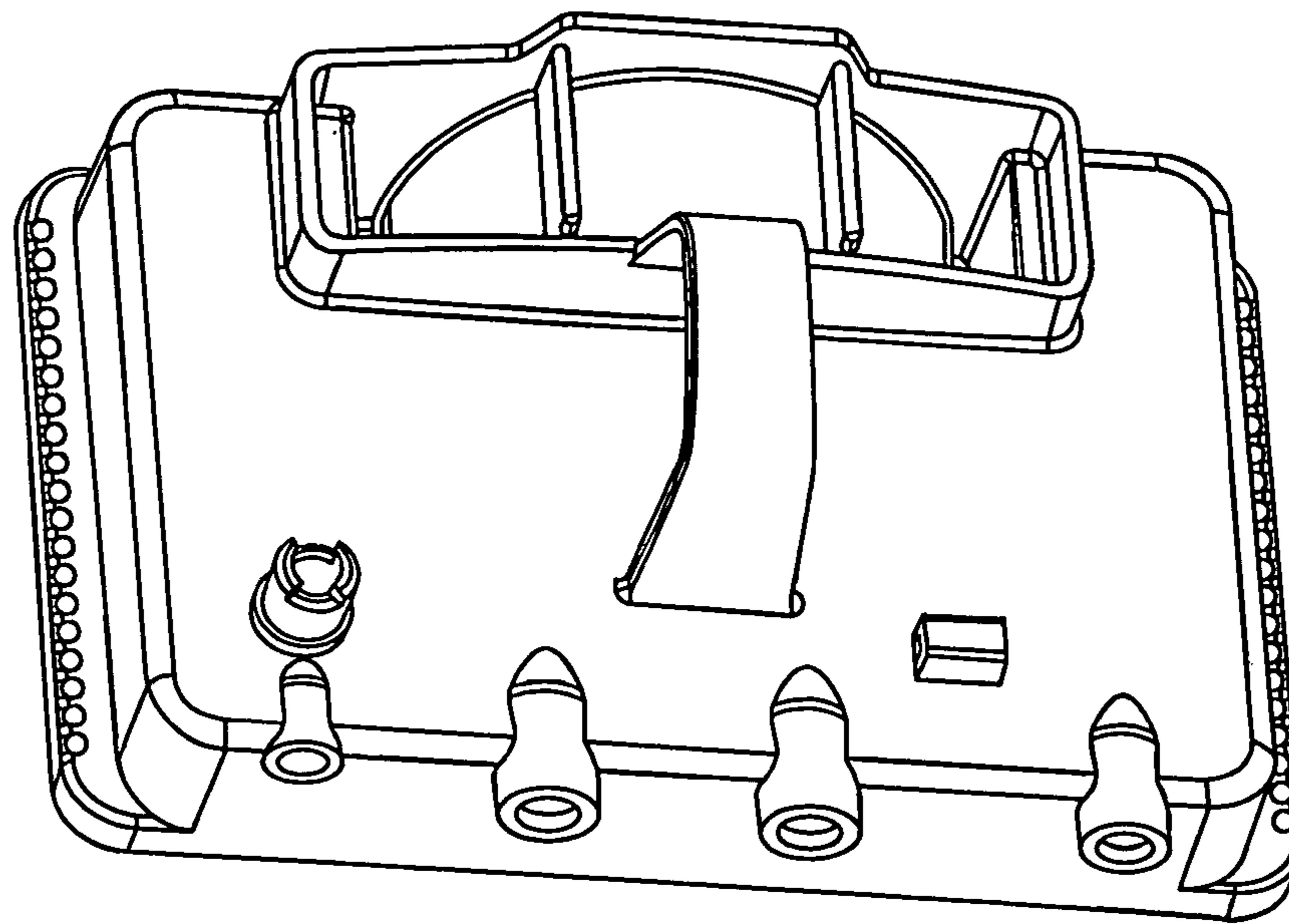


FIG. 3

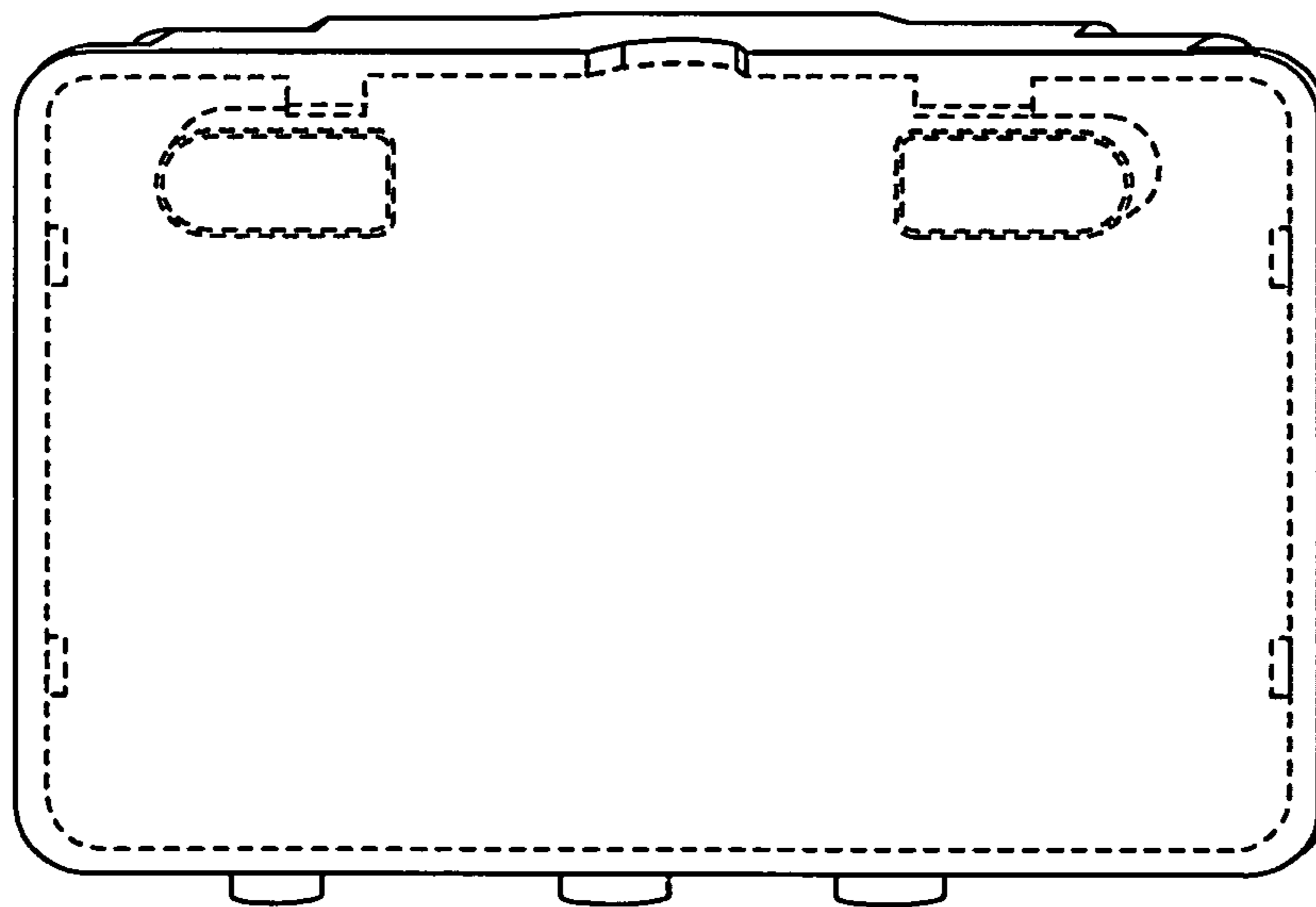


FIG. 4

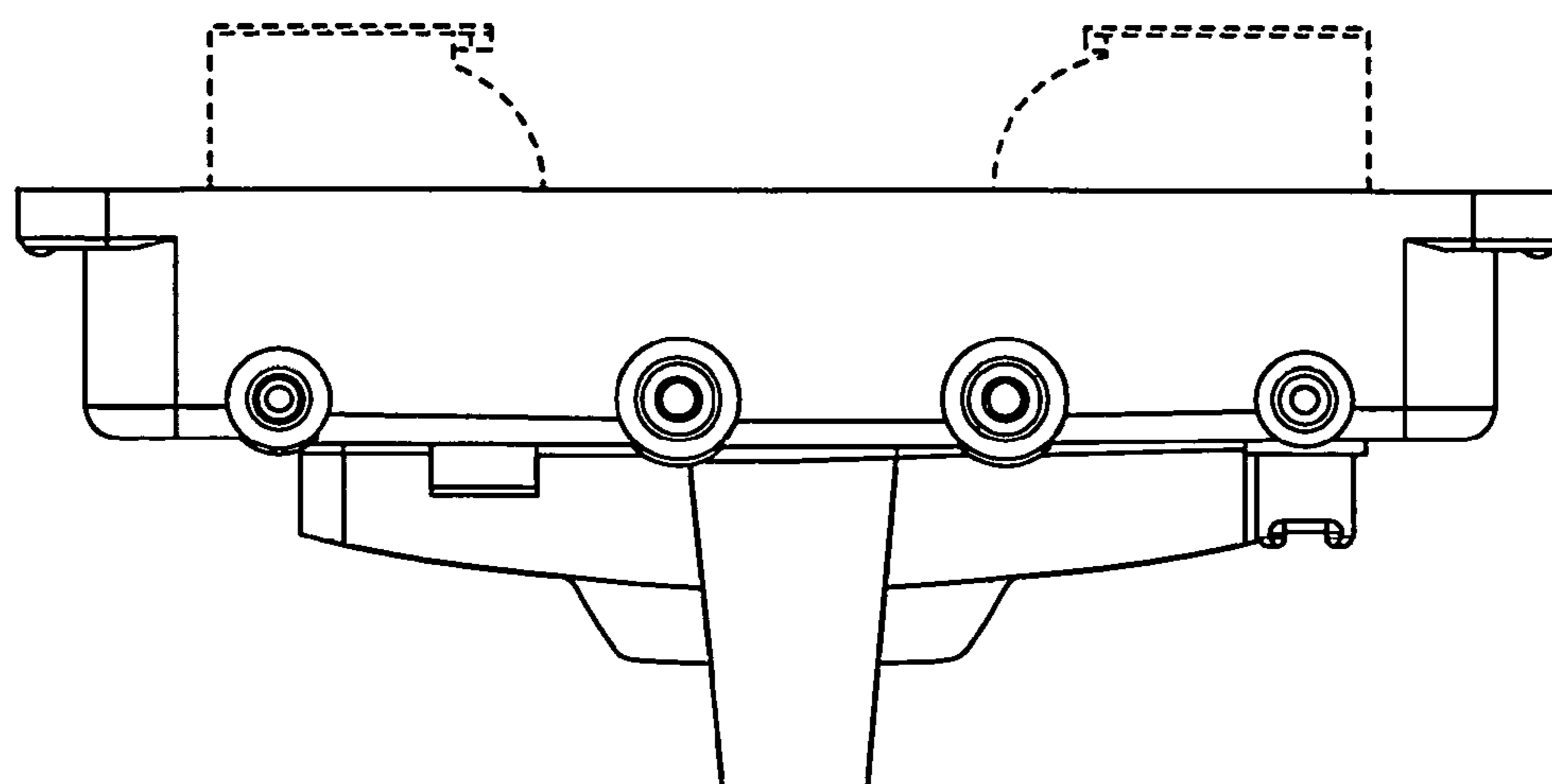


FIG. 5

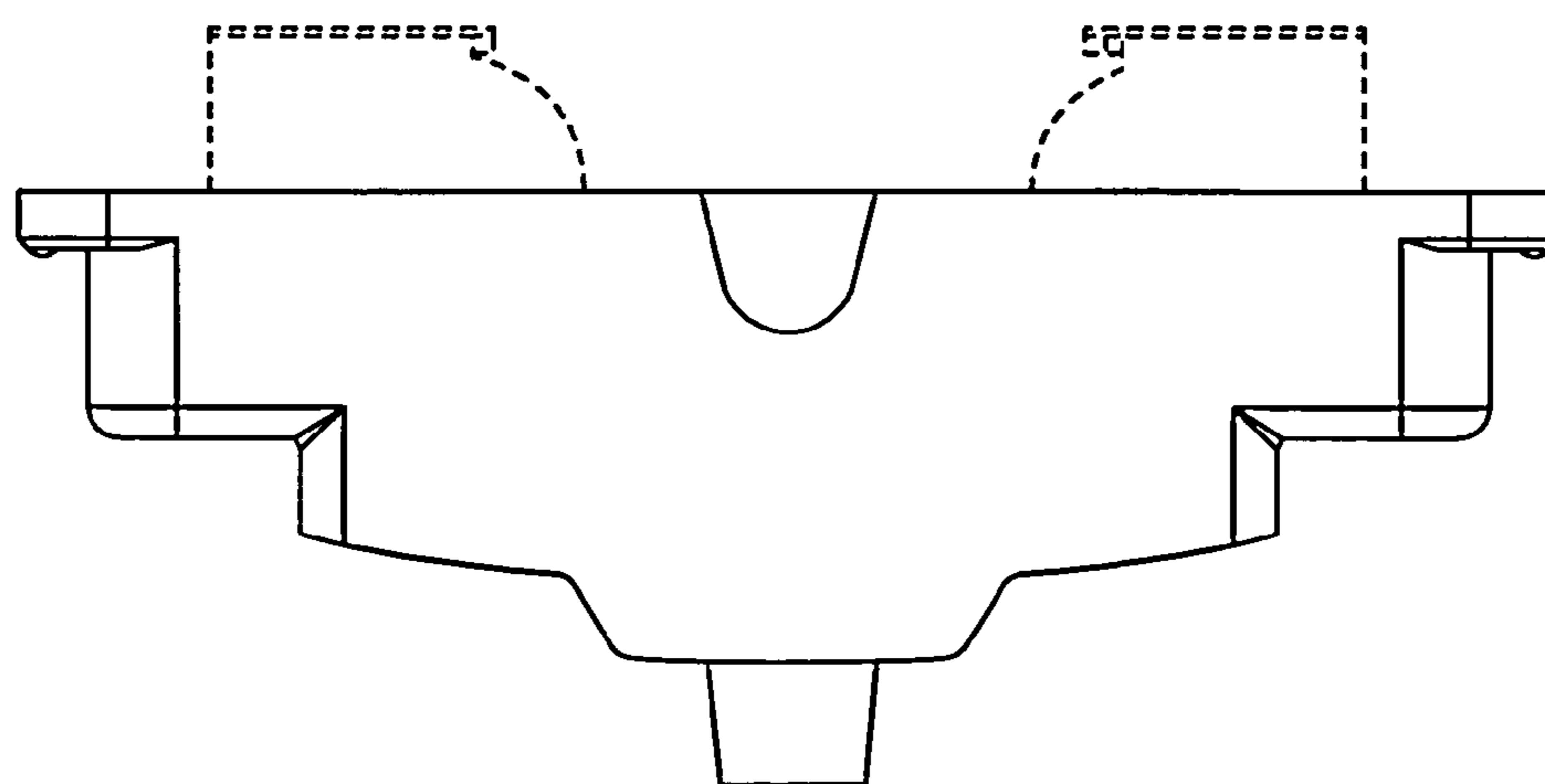


FIG. 6