



US00D733864S

(12) **United States Design Patent**
Funnell, II et al.

(10) **Patent No.:** **US D733,864 S**
(45) **Date of Patent:** **** Jul. 7, 2015**

- (54) **KITCHEN VENTILATION HOOD**
- (71) Applicant: **BSH Home Appliances Corporation**,
Irvine, CA (US)
- (72) Inventors: **Richard W. Funnell, II**, Huntington
Beach, CA (US); **Graham Sadtler**,
Huntington Beach, CA (US)
- (73) Assignee: **BSH Home Appliances Corporation**,
Irvine, CA (US)
- (**) Term: **14 Years**
- (21) Appl. No.: **29/517,772**
- (22) Filed: **Feb. 17, 2015**

Related U.S. Application Data

- (62) Division of application No. 29/465,308, filed on Aug.
27, 2013.
- (51) **LOC (10) Cl.** **23-04**
- (52) **U.S. Cl.**
USPC **D23/372**
- (58) **Field of Classification Search**
USPC D23/370-372, 385-386, 388, 411;
126/299 D, 299 R
CPC F24C 15/2042; F24C 15/2007; F24C
15/205; F24C 15/2064; F24C 15/2071;
F24C 15/2078; F24C 15/2085; F24C 15/2092
See application file for complete search history.

References Cited

U.S. PATENT DOCUMENTS

- D390,648 S * 2/1998 Woodall, III D23/372
- D537,931 S * 3/2007 Kashimura D23/372
- D571,446 S * 6/2008 Martin et al. D23/372

- D578,634 S * 10/2008 Kashimura D23/372
- D610,669 S * 2/2010 Grey D23/372
- D613,846 S * 4/2010 Grey D23/372
- D635,234 S * 3/2011 Gauthier et al. D23/372
- D635,235 S * 3/2011 Hoshino et al. D23/372
- D659,232 S * 5/2012 Funnell, II D23/371
- D677,775 S * 3/2013 Funnell, II D23/371
- D684,676 S * 6/2013 Funnell, II D23/372
- D687,138 S * 7/2013 Funnell, II D23/371
- D694,385 S * 11/2013 Funnell, II D23/371
- D699,831 S * 2/2014 Funnell, II D23/371
- 2006/0278216 A1 * 12/2006 Gagas et al. 126/299 D
- 2010/0051011 A1 * 3/2010 Shaffer 126/299 D
- 2012/0152227 A1 * 6/2012 Oagley et al. 126/299 D
- 2014/0283813 A1 * 9/2014 Casoli 126/299 D

* cited by examiner

Primary Examiner — Susan Bennett Hattan

Assistant Examiner — Janice Hallmark

(74) *Attorney, Agent, or Firm* — James E. Howard; Andre
Pallapies

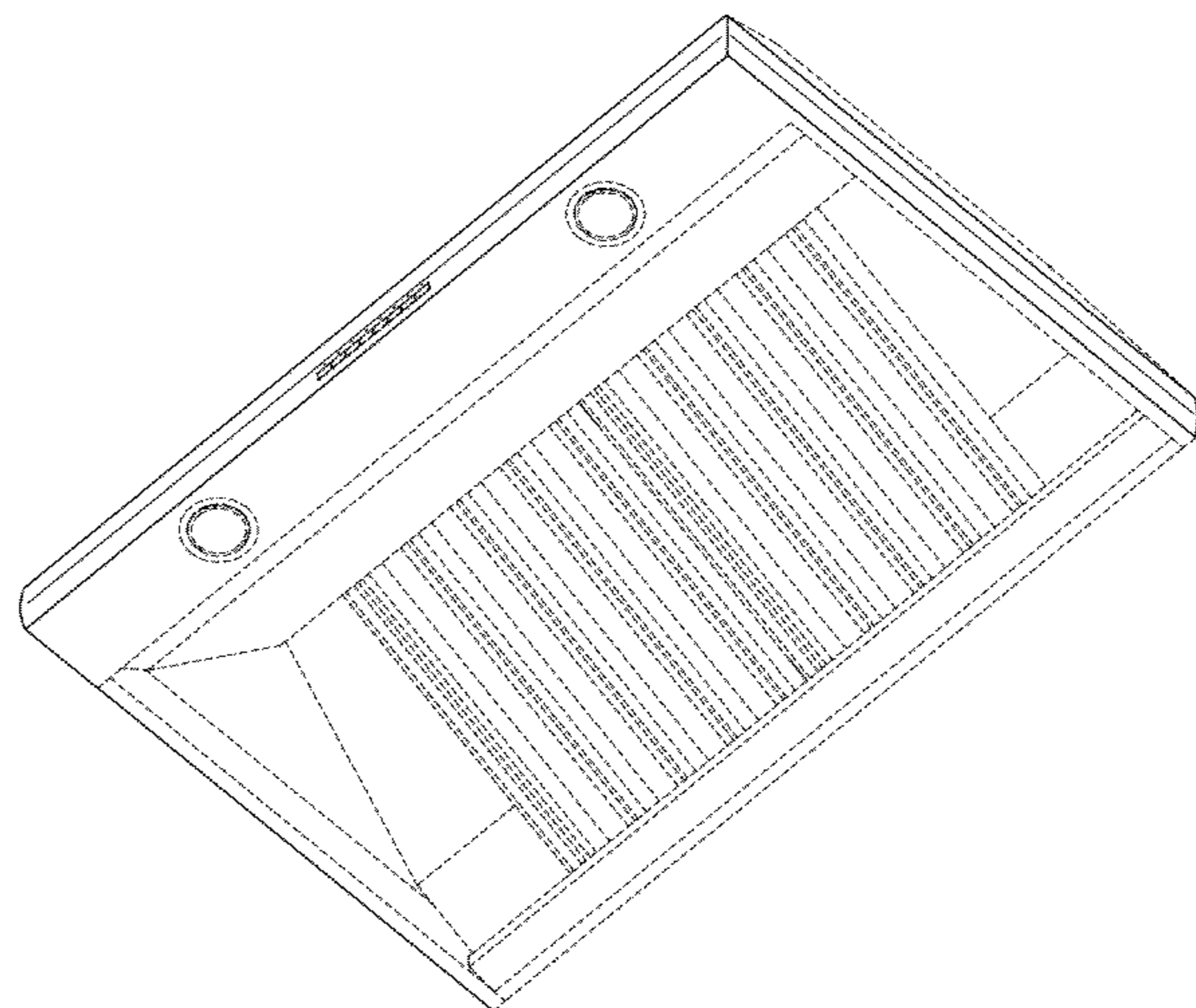
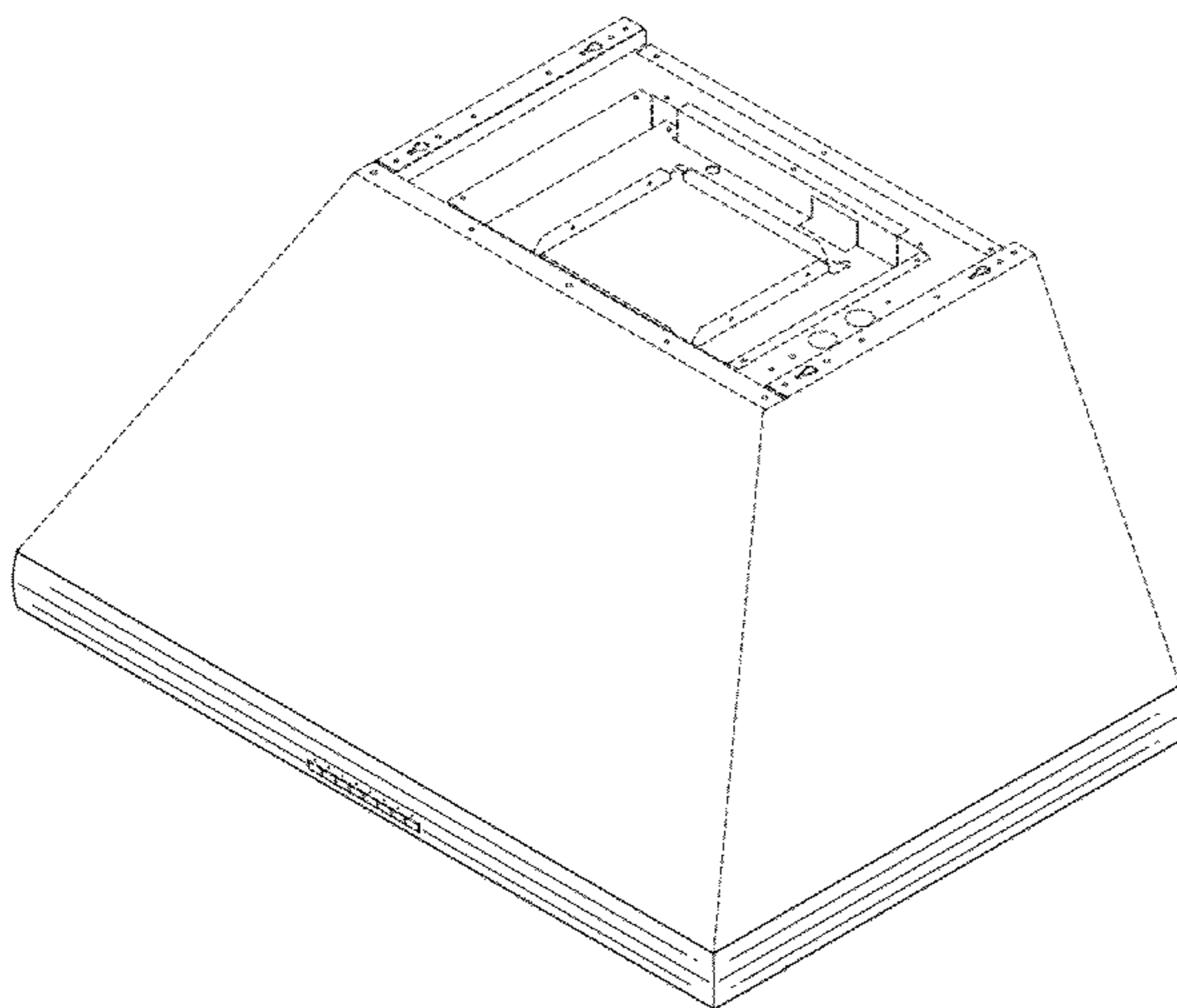
(57) **CLAIM**

The ornamental design for a kitchen ventilation hood, as
shown and described.

DESCRIPTION

FIG. 1 is a top, front, perspective view of a kitchen ventilation
hood according to our new ornamental design;
FIG. 2 is a front view thereof;
FIG. 3 is a top view thereof;
FIG. 4 is a bottom view thereof;
FIG. 5 is a left side view thereof, with the right side view
thereof being a mirror image;
FIG. 6 is a bottom perspective view thereof; and,
FIG. 7 is yet another bottom perspective view thereof.
The broken lines in the drawings depict parts of the kitchen
ventilation hood that form no part of the claimed design.

1 Claim, 7 Drawing Sheets



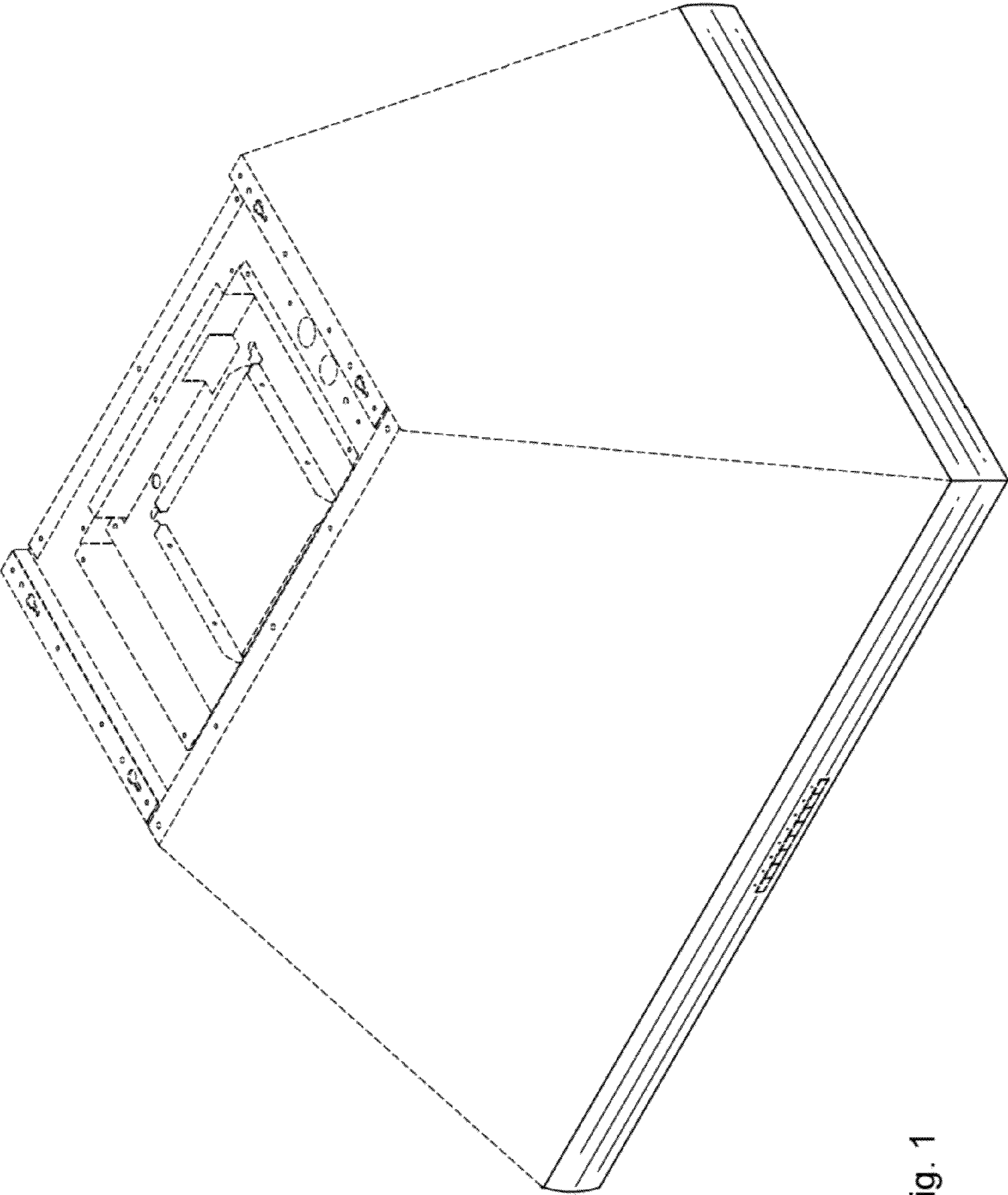


Fig. 1

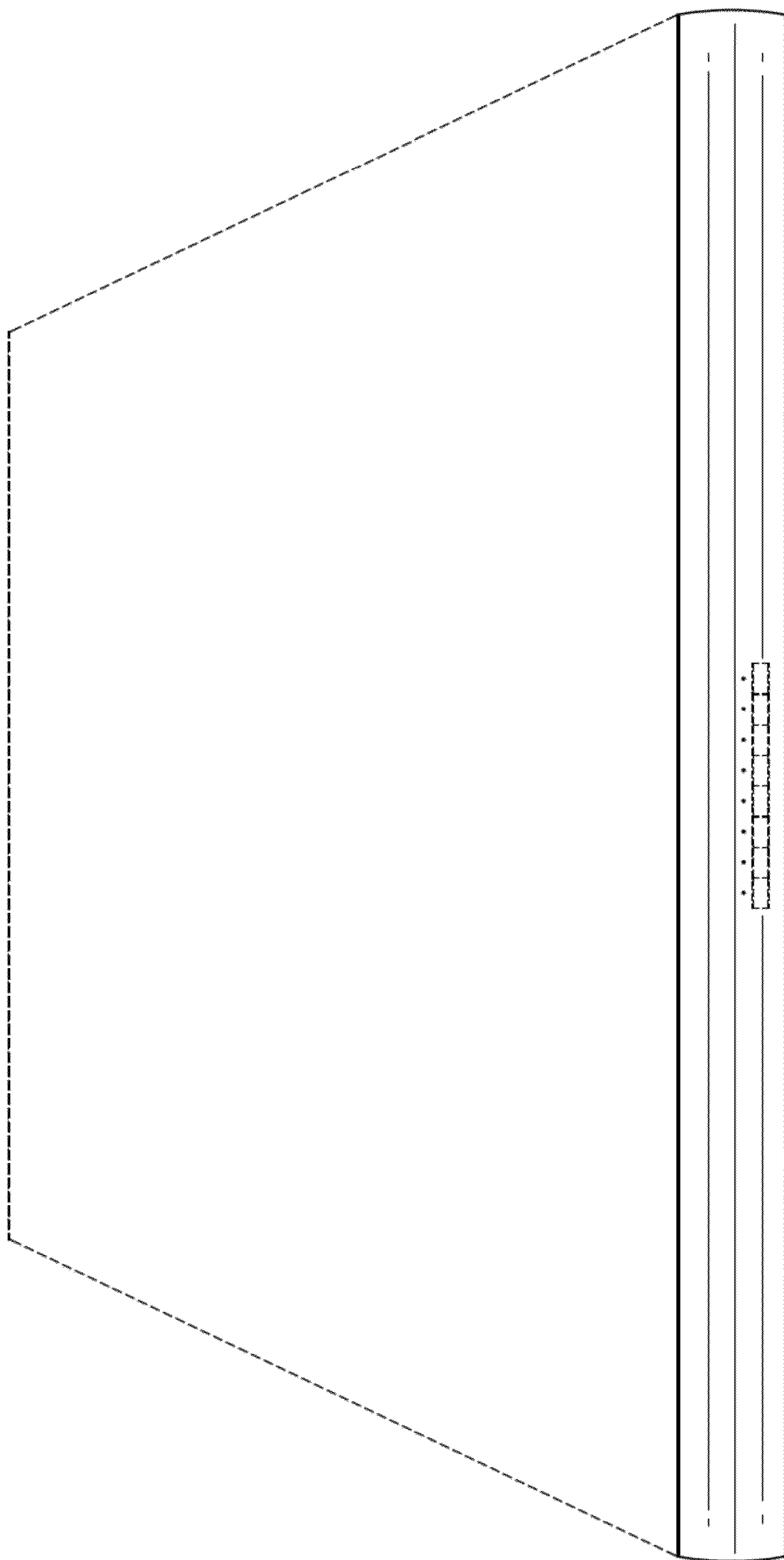


Fig. 2

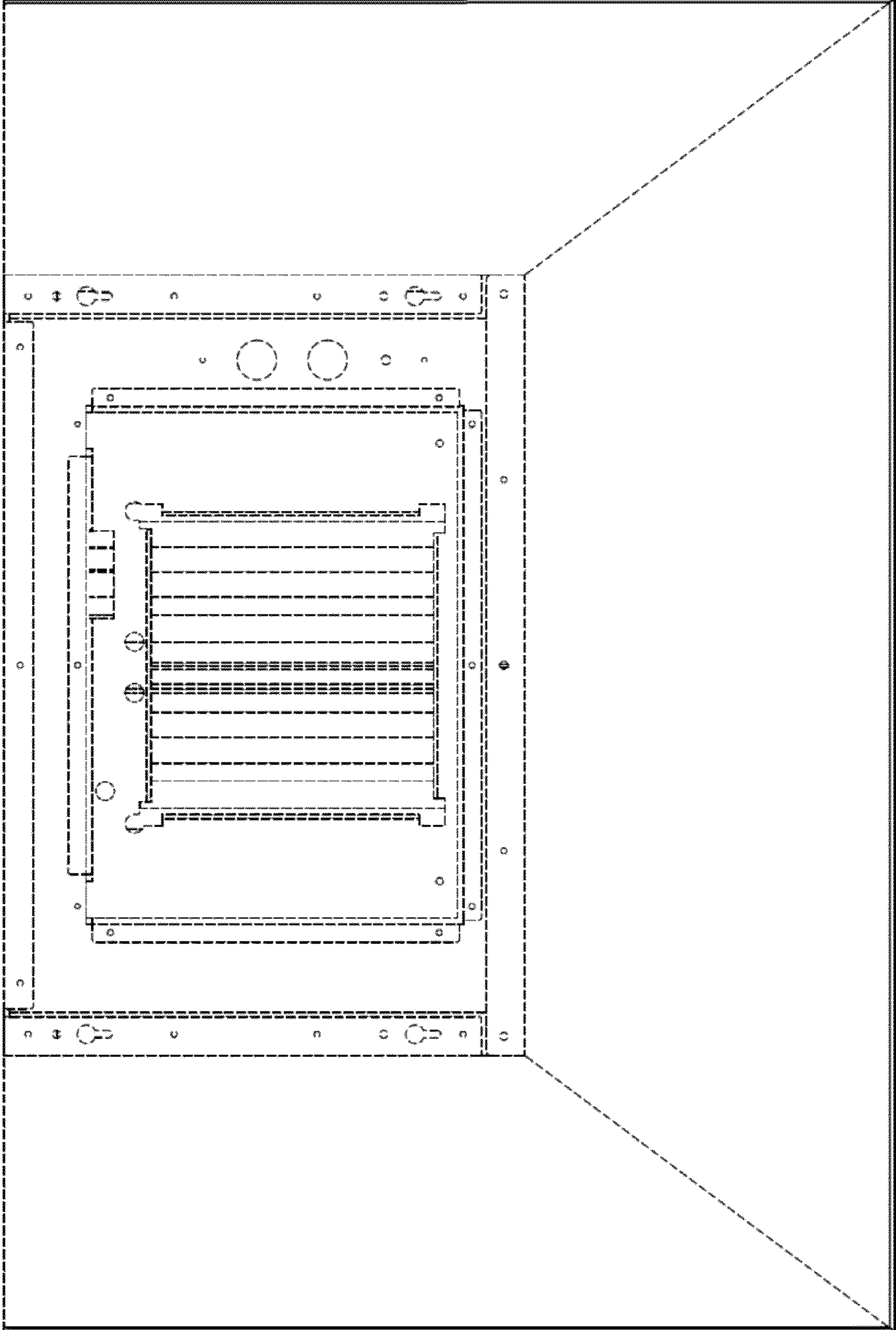


Fig. 3

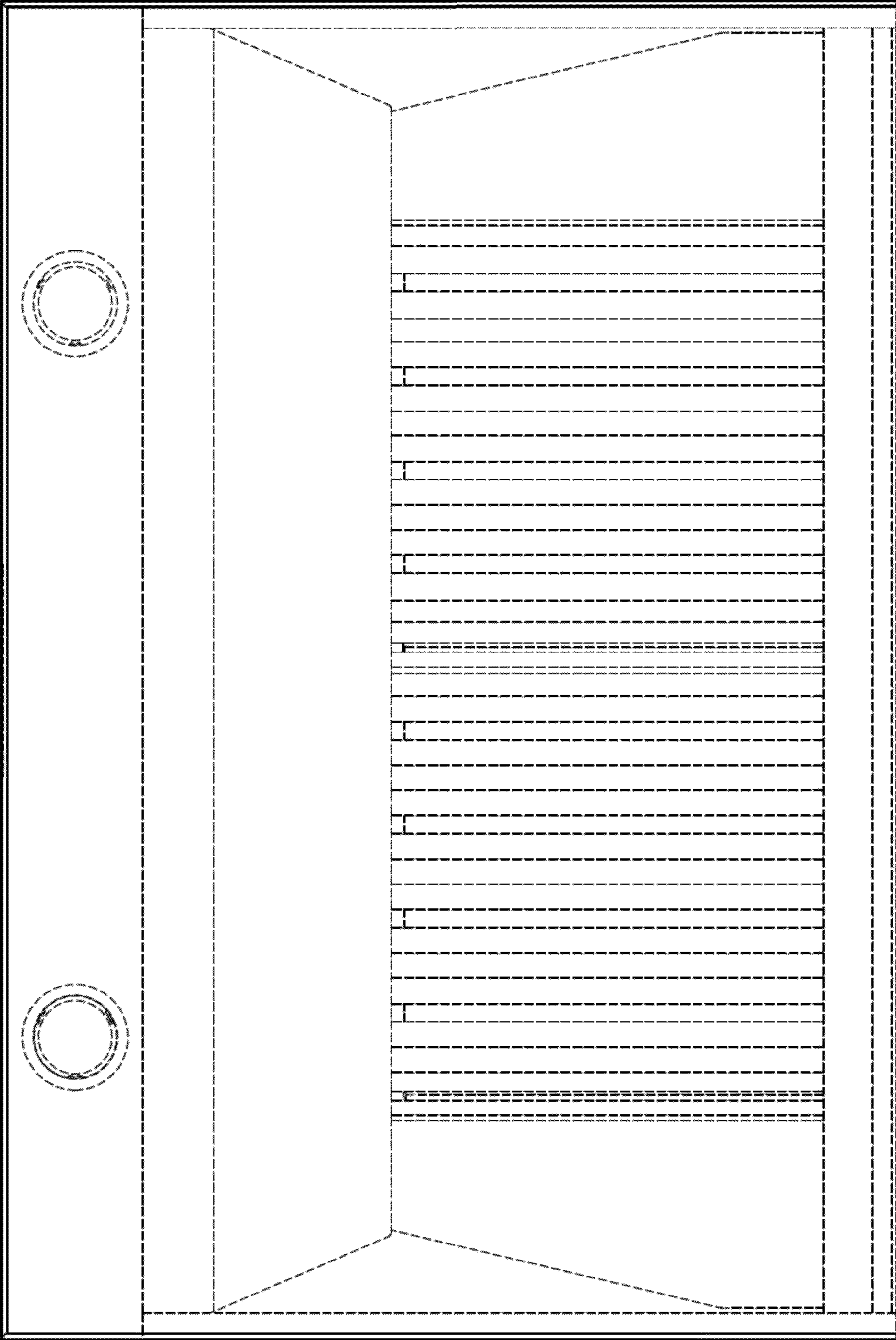


Fig. 4

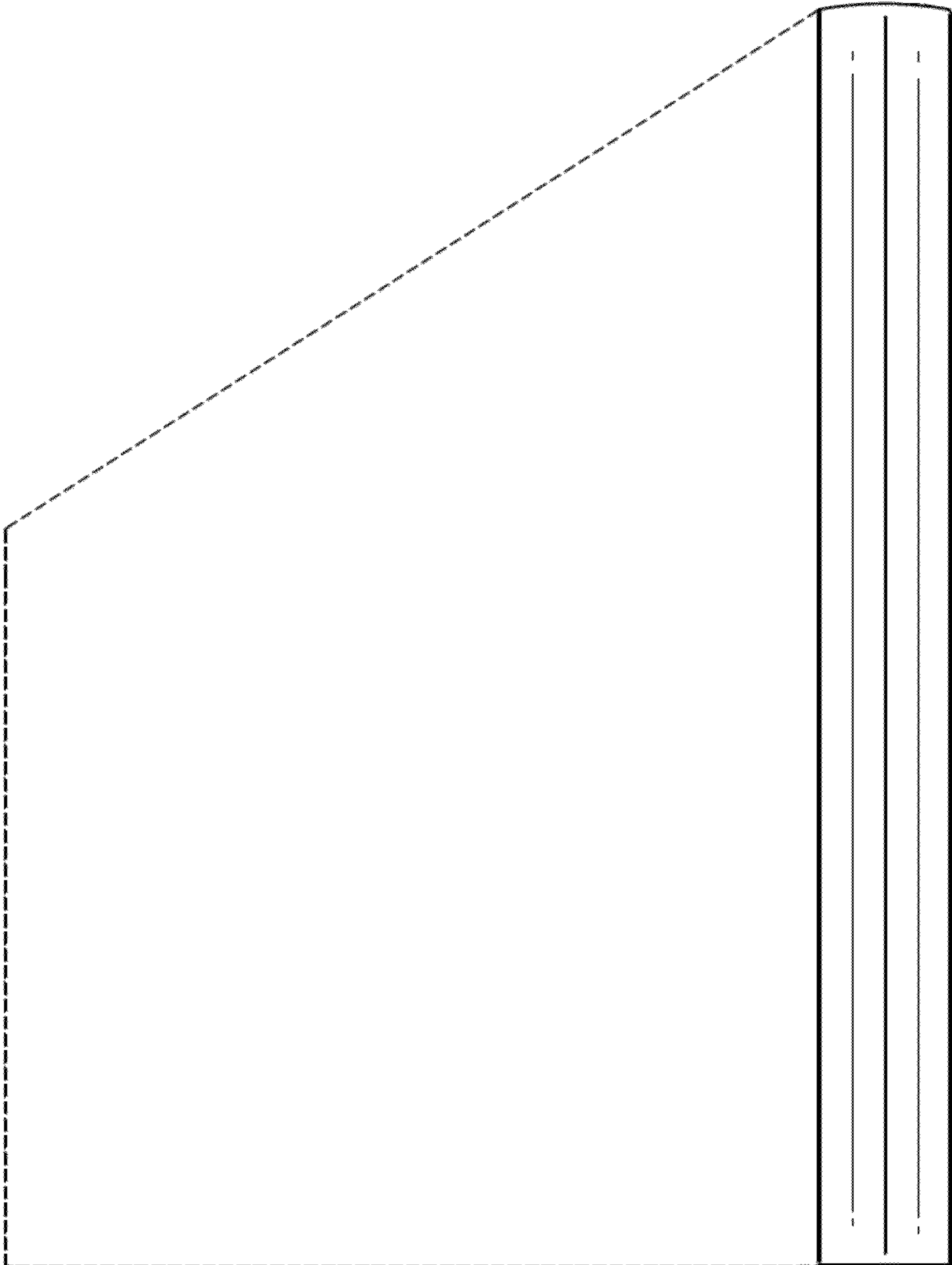


Fig. 5

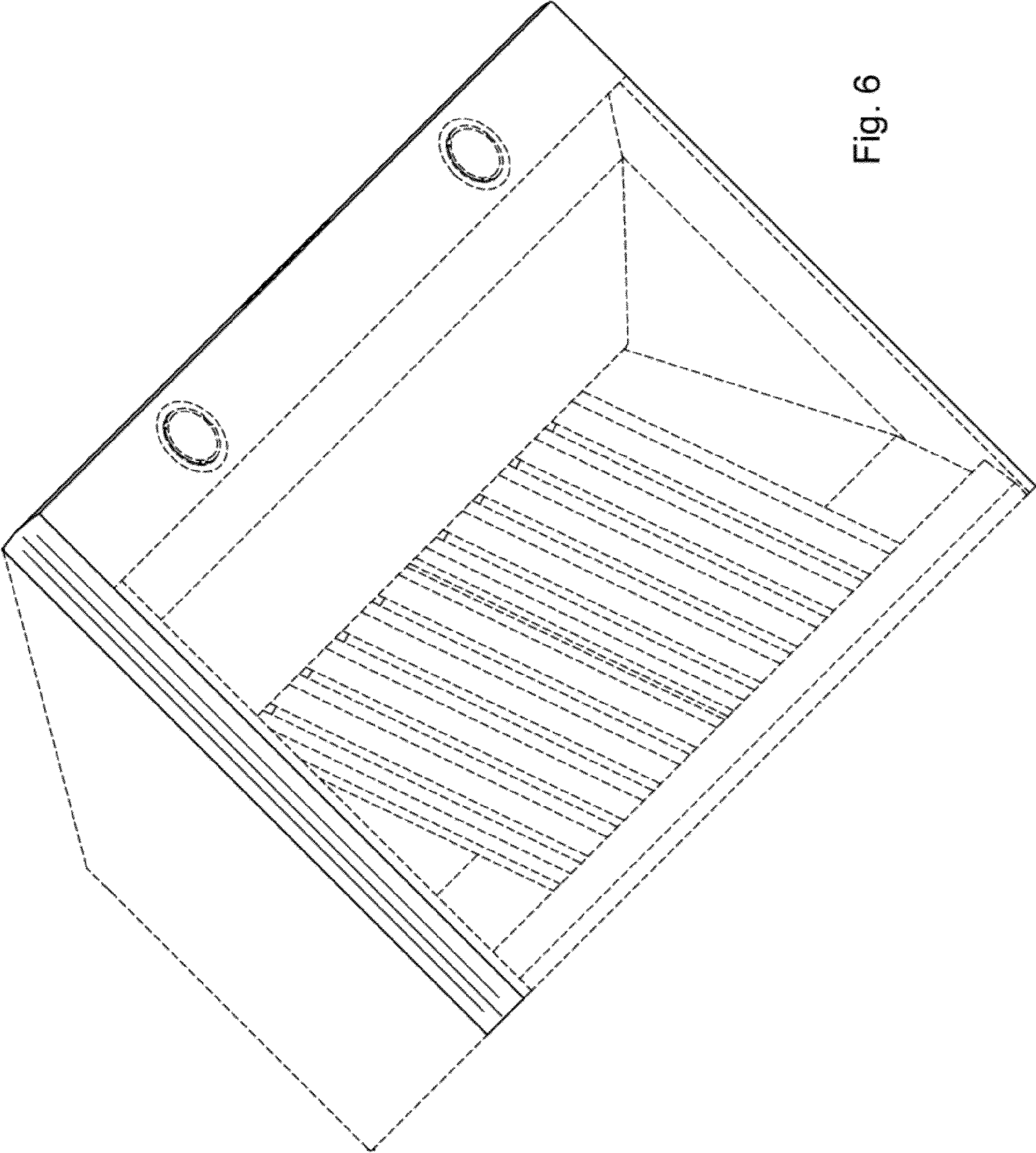


Fig. 6

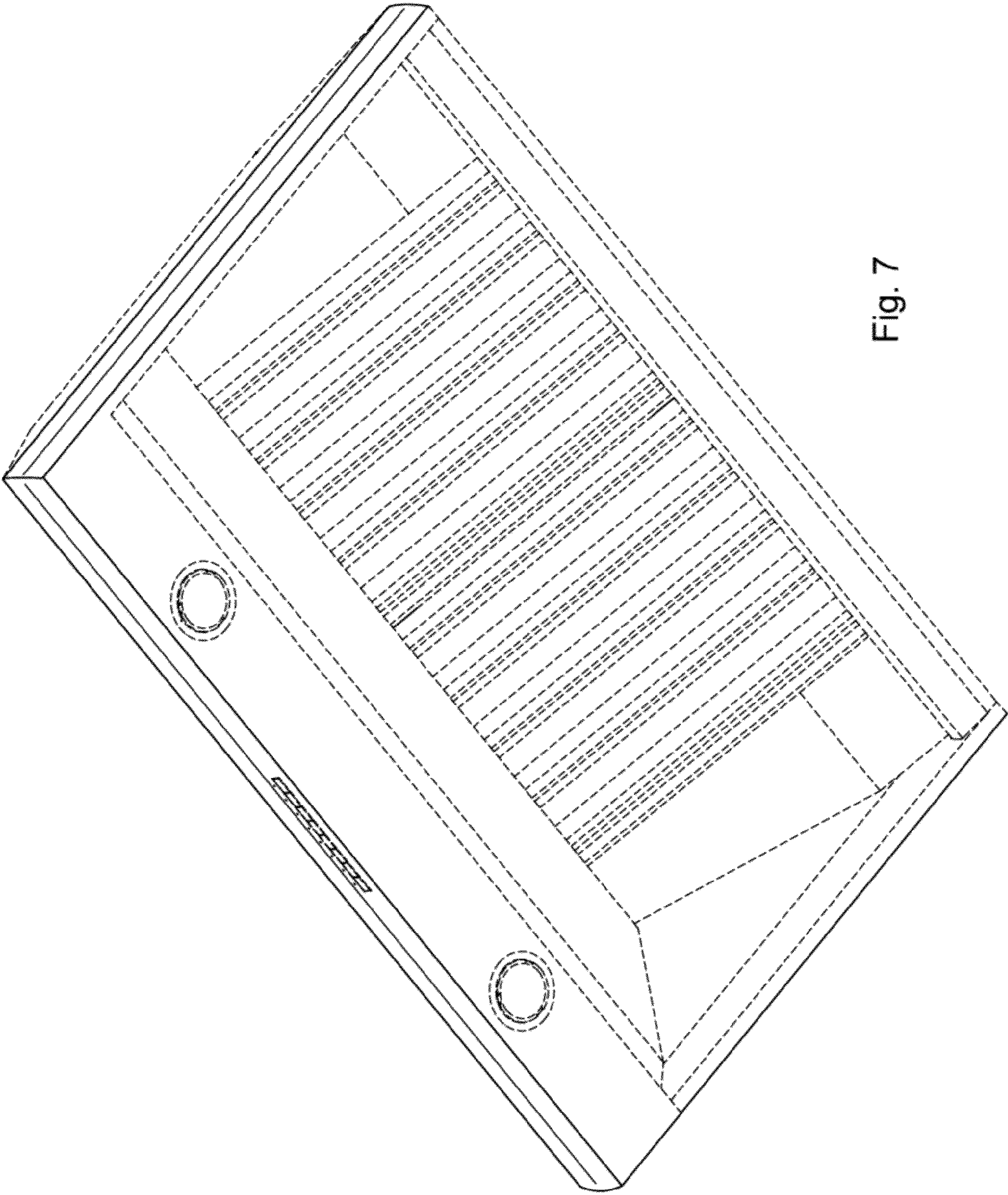


Fig. 7