



US00D733863S

(12) **United States Design Patent**
Funnell, II et al.

(10) **Patent No.:** **US D733,863 S**
(45) **Date of Patent:** **** Jul. 7, 2015**

(54) **KITCHEN VENTILATION HOOD**

(71) Applicant: **BSH Home Appliances Corporation**,
Irvine, CA (US)

(72) Inventors: **Richard W. Funnell, II**, Huntington
Beach, CA (US); **Graham Sadtler**,
Huntington Beach, CA (US)

(73) Assignee: **BSH Home Appliances Corporation**,
Irvine, CA (US)

(**) Term: **14 Years**

(21) Appl. No.: **29/517,490**

(22) Filed: **Feb. 13, 2015**

Related U.S. Application Data

(62) Division of application No. 29/465,417, filed on Aug.
28, 2013.

(51) **LOC (10) Cl.** **23-04**

(52) **U.S. Cl.**
USPC **D23/372**

(58) **Field of Classification Search**
USPC D23/370-372, 385-386, 388, 411;
126/299 D, 299 R
CPC F24C 15/2042; F24C 15/2007; F24C
15/205; F24C 15/2064; F24C 15/2071;
F24C 15/2078; F24C 15/2085; F24C 15/2092
See application file for complete search history.

(56) **References Cited**

U.S. PATENT DOCUMENTS

D390,648 S * 2/1998 Woodall, III D23/372
D537,931 S * 3/2007 Kashimura D23/372
D571,446 S * 6/2008 Martin et al. D23/372

D578,634 S * 10/2008 Kashimura D23/372
D610,669 S * 2/2010 Grey D23/372
D613,846 S * 4/2010 Grey D23/372
D635,234 S * 3/2011 Gauthier et al. D23/372
D635,235 S * 3/2011 Hoshino et al. D23/372
D659,232 S * 5/2012 Funnell, II D23/371
D677,775 S * 3/2013 Funnell, II D23/371
D684,676 S * 6/2013 Funnell, II D23/372
D687,138 S * 7/2013 Funnell, II D23/371
D694,385 S * 11/2013 Funnell, II D23/371
D699,831 S * 2/2014 Funnell, II D23/371
2006/0278216 A1 * 12/2006 Gagas et al. 126/299 D
2010/0051011 A1 * 3/2010 Shaffer 126/299 D
2012/0152227 A1 * 6/2012 Oagley et al. 126/299 D
2014/0283813 A1 * 9/2014 Casoli 126/299 D

* cited by examiner

Primary Examiner — Susan Bennett Hattan

Assistant Examiner — Janice Hallmark

(74) *Attorney, Agent, or Firm* — James E. Howard; Andre
Pallapies

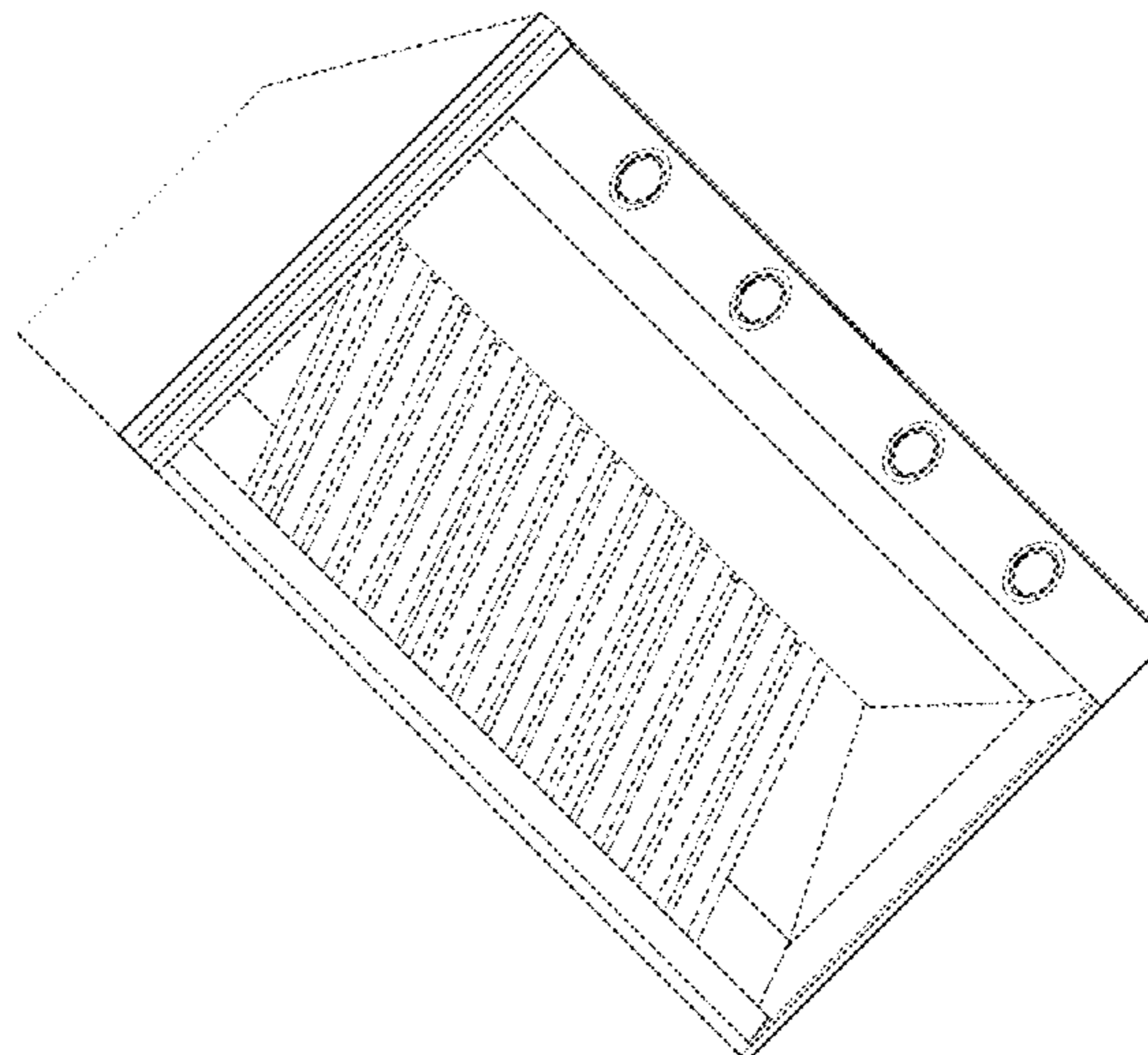
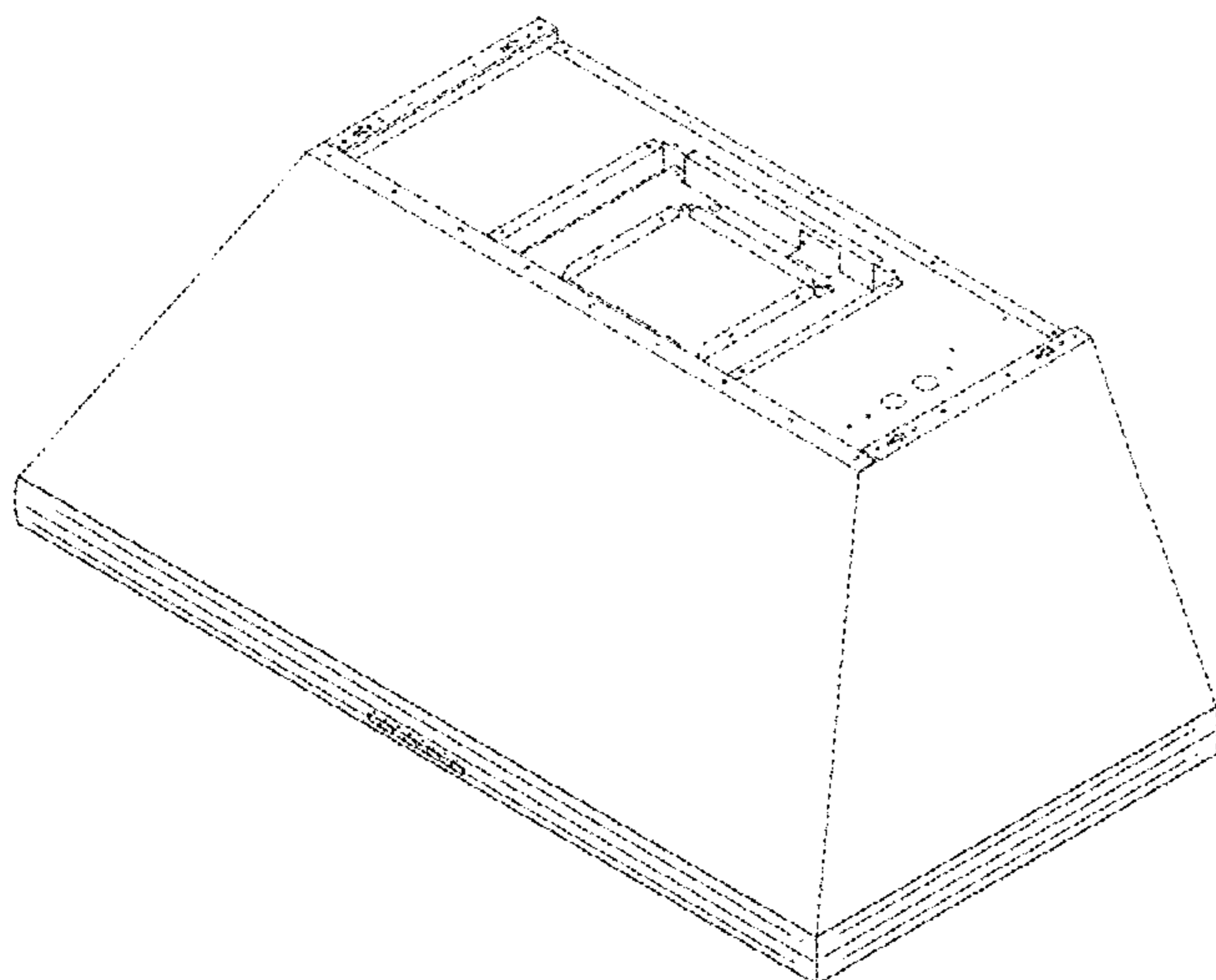
(57) **CLAIM**

The ornamental design for a kitchen ventilation hood, as
shown and described.

DESCRIPTION

FIG. 1 is a top, front, perspective view of a kitchen ventilation
hood according to our new ornamental design;
FIG. 2 is a front view thereof;
FIG. 3 is a top view thereof;
FIG. 4 is a bottom view thereof;
FIG. 5 is a left side view thereof, with the right side view
thereof being a mirror image; and,
FIG. 6 is a bottom perspective view thereof.
The broken lines in the drawings depict parts of the kitchen
ventilation hood that form no part of the claimed design.

1 Claim, 6 Drawing Sheets



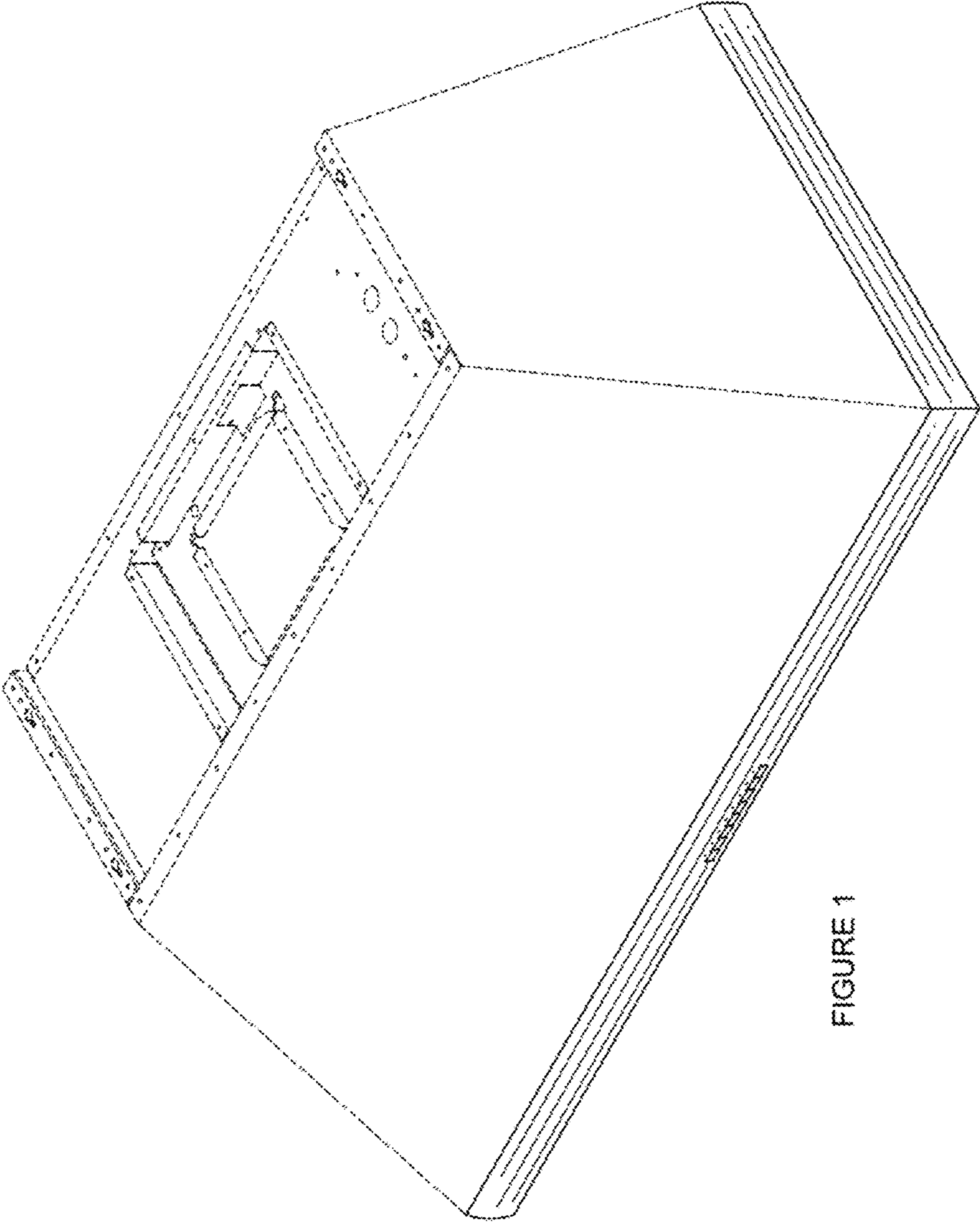


FIGURE 1

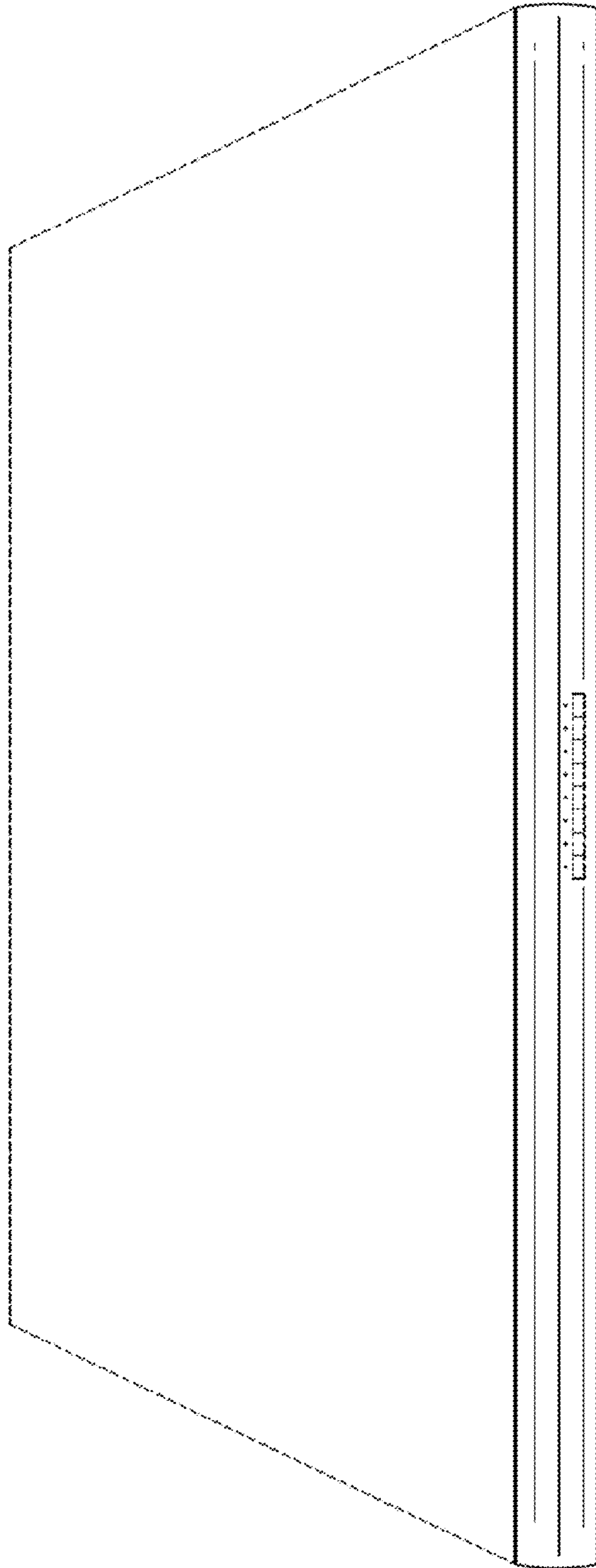


FIGURE 2

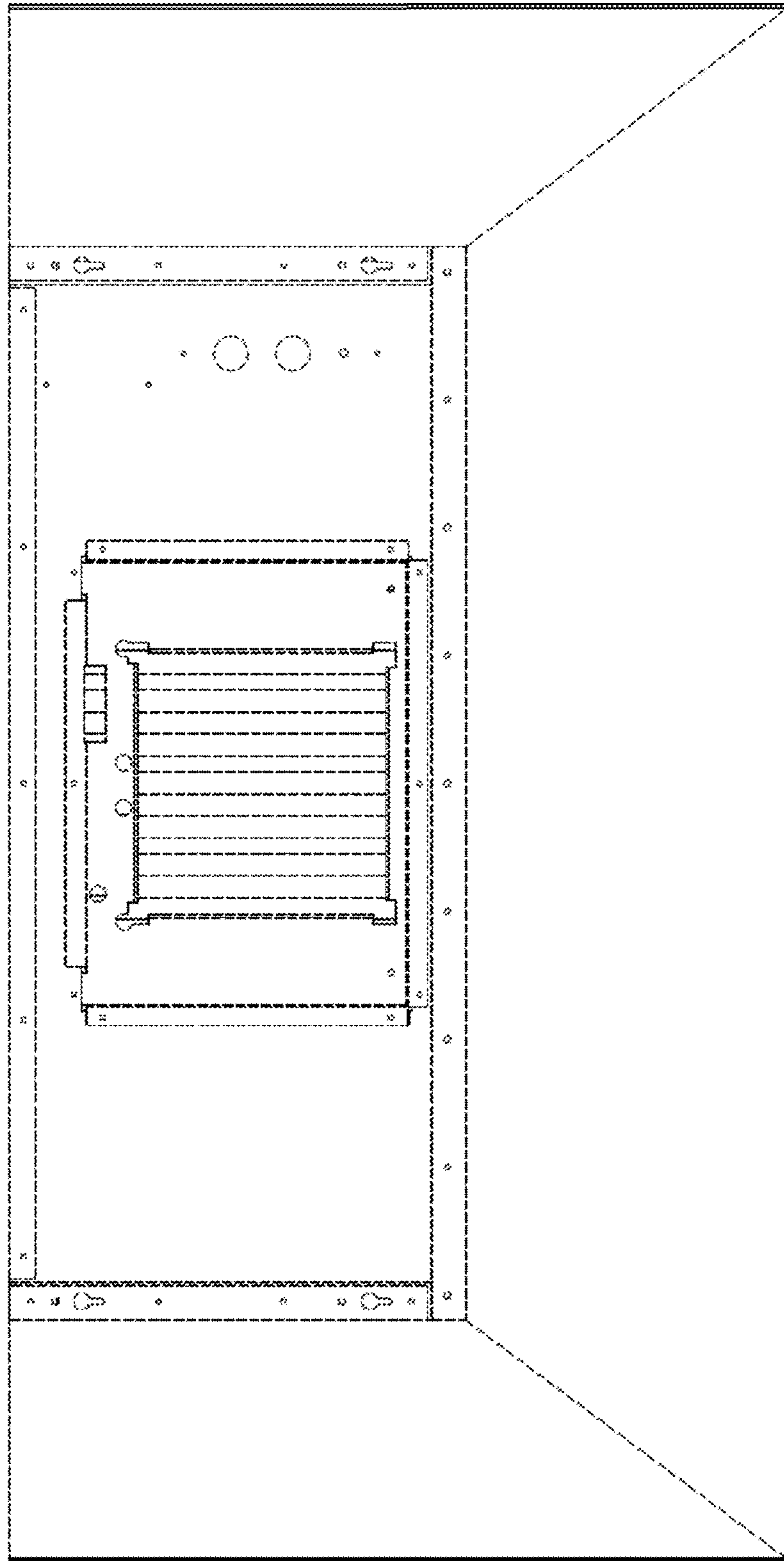


FIGURE 3

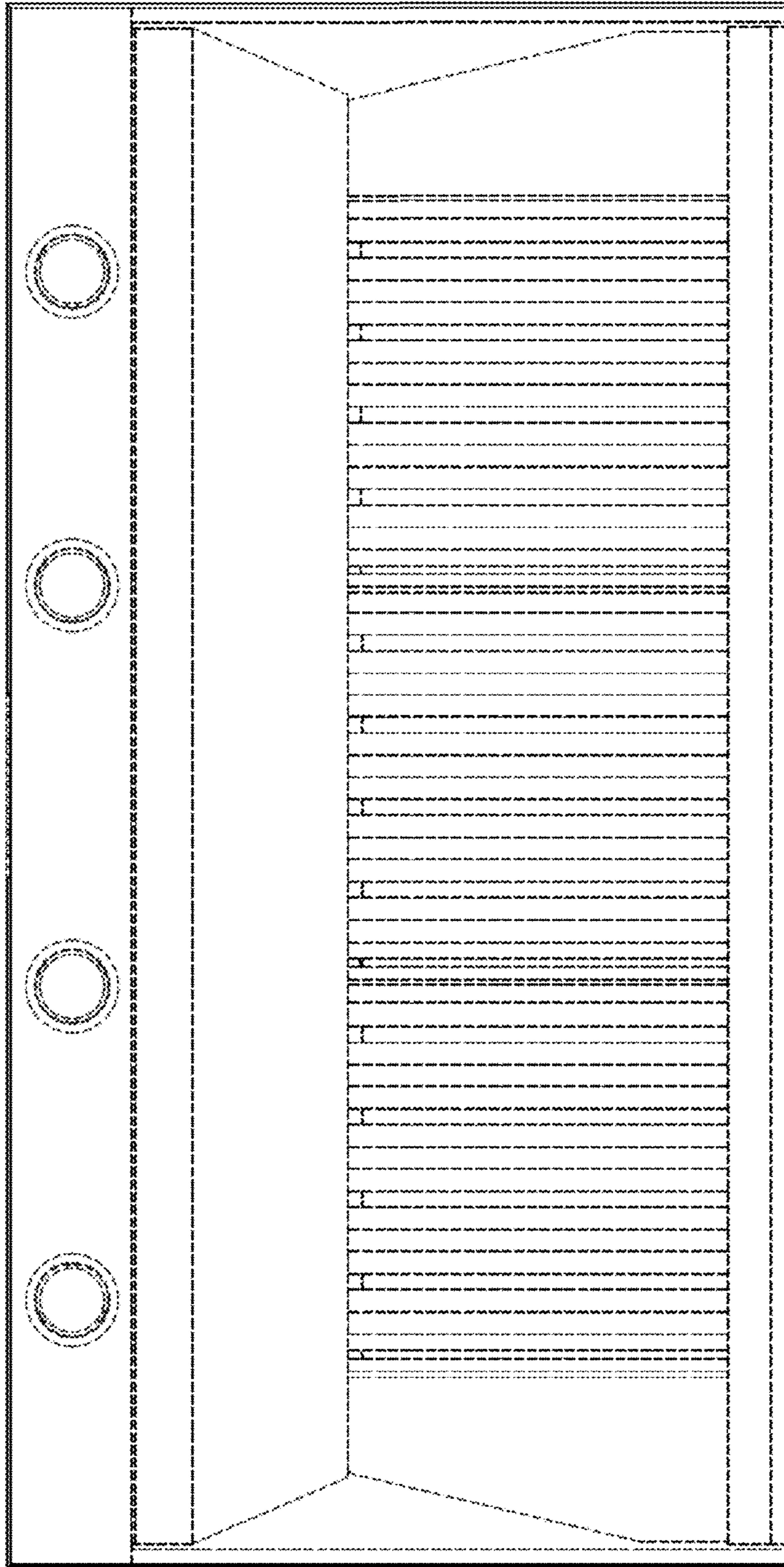


FIGURE 4

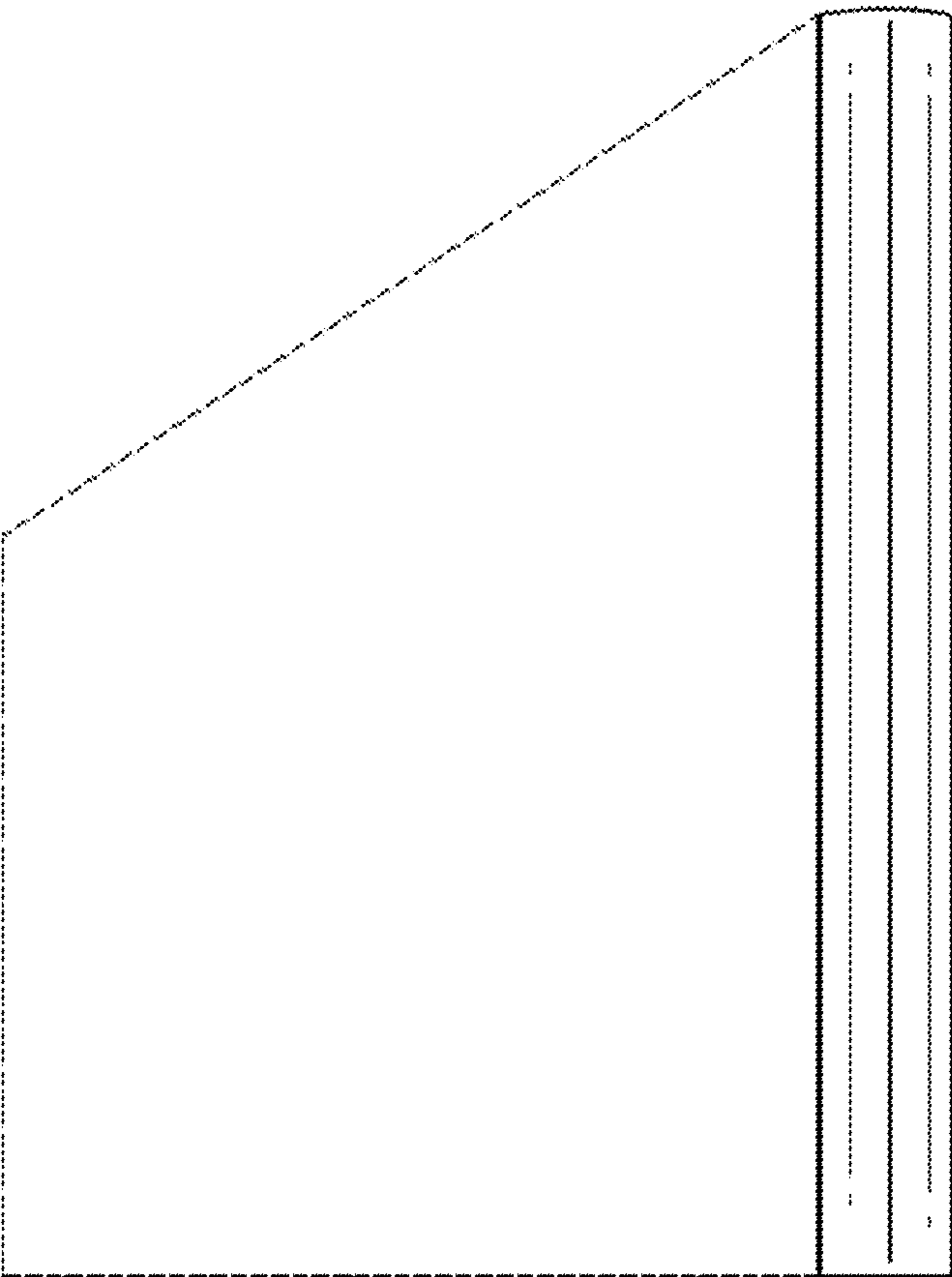


FIGURE 5

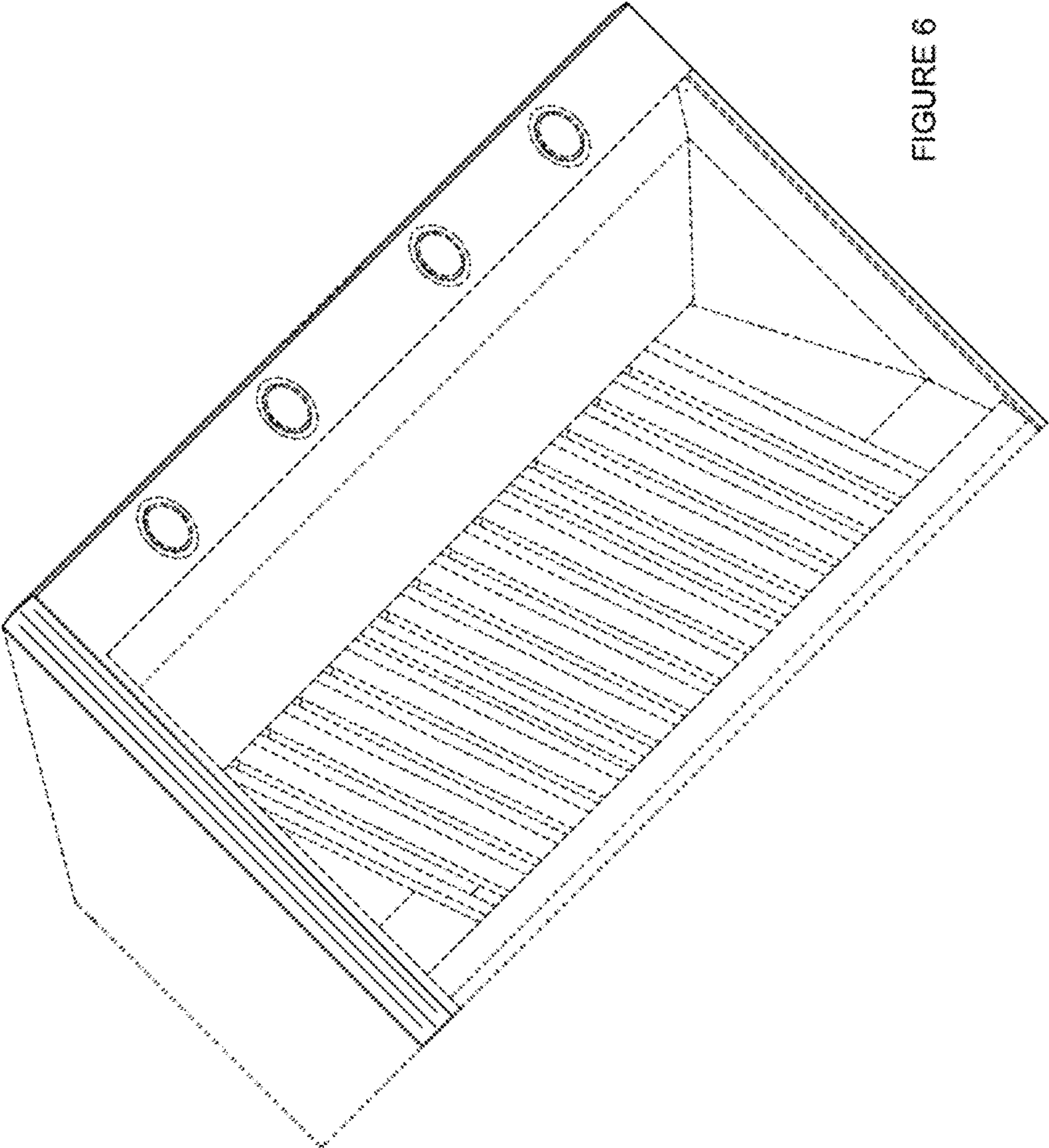


FIGURE 6