



US00D733862S

(12) **United States Design Patent**
Klunker

(10) **Patent No.:** **US D733,862 S**

(45) **Date of Patent:** **** Jul. 7, 2015**

(54) **EXTRACTOR**

(71) Applicant: **BSH Bosch und Siemens Hausgeräte GmbH**, Munich (DE)

(72) Inventor: **Sándor Klunker**, München (DE)

(73) Assignee: **BSH Bosch und Siemens Hausgeraete GmbH**, Munich (DE)

(**) Term: **14 Years**

(21) Appl. No.: **29/440,232**

(22) Filed: **Dec. 20, 2012**

(30) **Foreign Application Priority Data**

Jun. 29, 2012 (EM) 001334080

(51) **LOC (10) Cl.** **23-04**

(52) **U.S. Cl.**
USPC **D23/372**

(58) **Field of Classification Search**
USPC D23/370-372, 385-386, 388, 411;
126/299 D, 299 R
CPC F24C 15/2042; F24C 15/2007; F24C
15/205; F24C 15/2064; F24C 15/2071;
F24C 15/2078; F24C 15/2085; F24C 15/2092
See application file for complete search history.

(56) **References Cited**

U.S. PATENT DOCUMENTS

3,011,492 A * 12/1961 Humbert 126/299 R
3,102,533 A * 9/1963 Jenn et al. 126/303
3,409,005 A * 11/1968 Field 126/300

(Continued)

Primary Examiner — Susan Bennett Hattan

Assistant Examiner — Janice Hallmark

(74) *Attorney, Agent, or Firm* — James E. Howard; Andre Pallapies

(57) **CLAIM**

The ornamental design for an extractor, as shown and described.

DESCRIPTION

FIG. 1 is a front perspective view of an extractor according to a first embodiment showing my new ornamental design in an extended position;

FIG. 2 is a front view thereof;

FIG. 3 is a right side view thereof;

FIG. 4 is a rear view thereof;

FIG. 5 is a left side view thereof;

FIG. 6 is a bottom view thereof;

FIG. 7 is a top view thereof;

FIG. 8 is a front perspective view of a portion of an extractor according to the first embodiment showing my new ornamental design in a retracted position;

FIG. 9 is a front view thereof;

FIG. 10 is a left side view thereof;

FIG. 11 is a rear view thereof;

FIG. 12 is a right side view thereof;

FIG. 13 is a top view thereof;

FIG. 14 is a front perspective view of an extractor according to a second embodiment showing my new ornamental design in an extended position;

FIG. 15 is a front view thereof;

FIG. 16 is a right side view thereof;

FIG. 17 is a rear view thereof;

FIG. 18 is a left side view thereof;

FIG. 19 is a bottom view thereof;

FIG. 20 is a top view thereof;

FIG. 21 is a front perspective view of the top portion of an extractor according to the second embodiment showing my new ornamental design in a retracted position;

FIG. 22 is a front view thereof;

FIG. 23 is a left side view thereof;

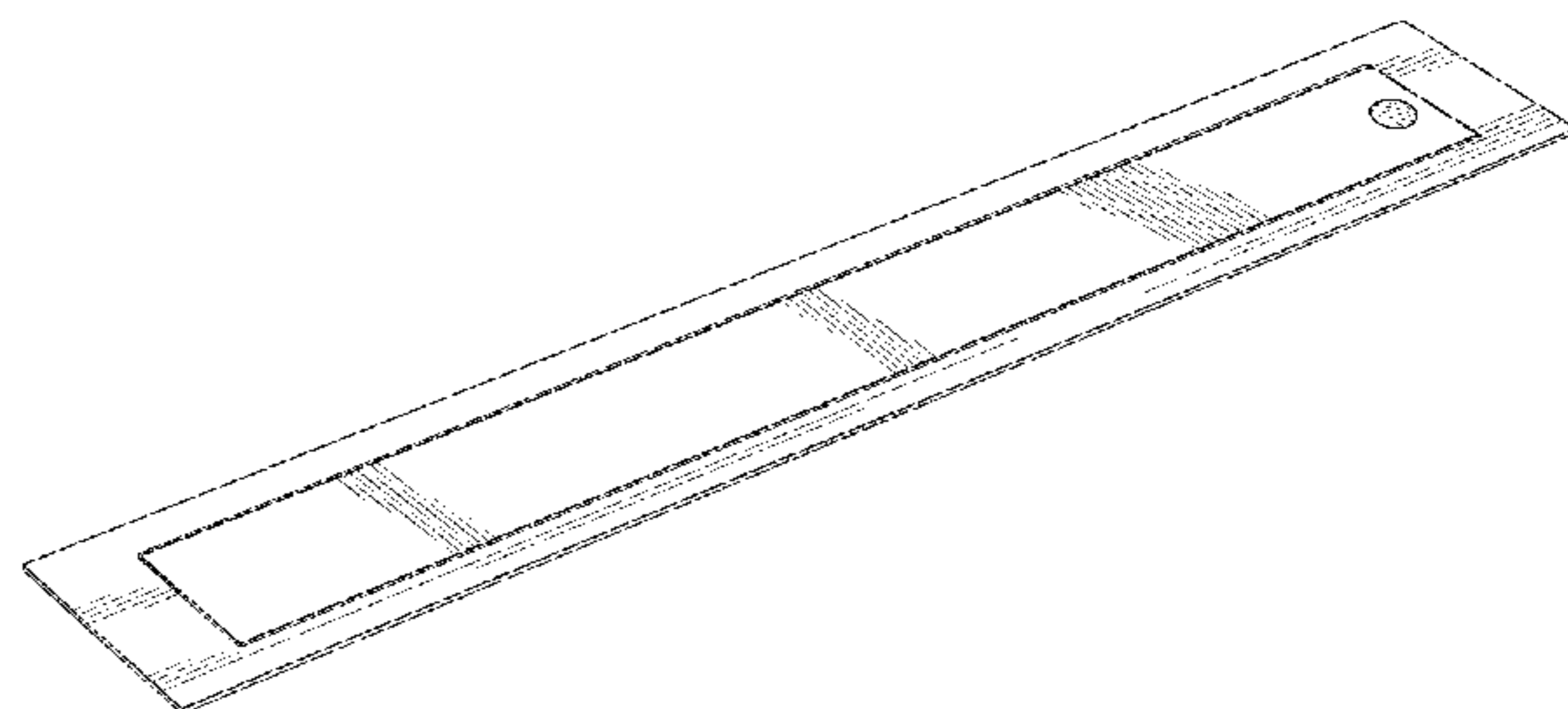
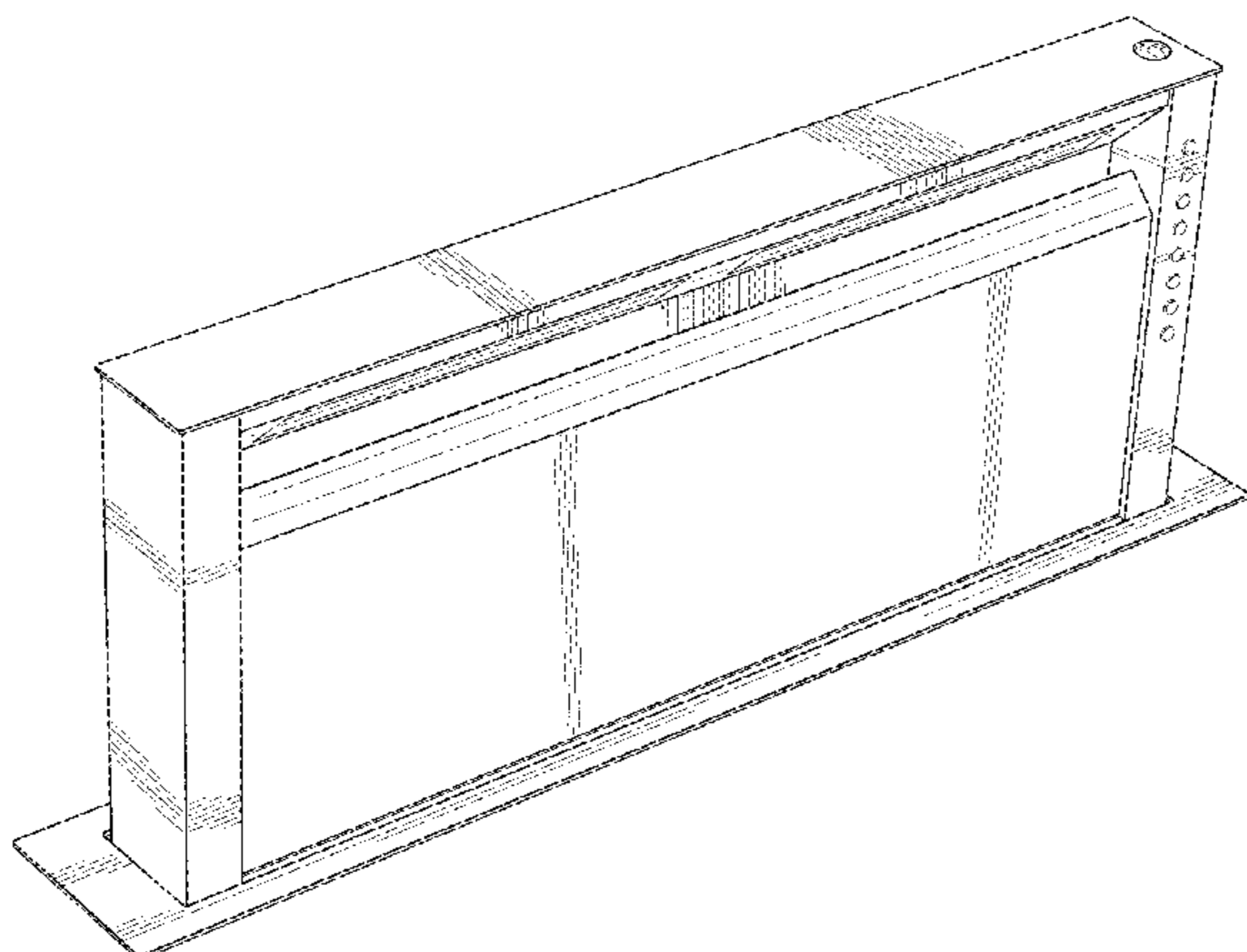
FIG. 24 is a rear view thereof;

FIG. 25 is a right side view thereof; and,

FIG. 26 is a top view thereof.

The broken lines in the drawings depict parts of the extractor that form no part of the claimed design.

1 Claim, 16 Drawing Sheets



(56)

References Cited

U.S. PATENT DOCUMENTS

4,501,260 A * 2/1985 Grace 126/299 R
 4,934,337 A * 6/1990 Falk 126/299 R
 D327,538 S * 6/1992 Falk et al. D23/365
 6,276,358 B1 * 8/2001 Brin et al. 126/299 D
 6,698,419 B2 * 3/2004 Lee 126/299 R
 D568,457 S * 5/2008 Lebeuf et al. D23/372
 D577,806 S * 9/2008 Grey et al. D23/372
 D602,145 S * 10/2009 Grey D23/372
 D602,578 S * 10/2009 Grey D23/372
 D622,372 S * 8/2010 Grey et al. D23/372
 D622,373 S * 8/2010 Grey et al. D23/372
 7,836,877 B2 * 11/2010 Gagas et al. 126/299 D

8,020,549 B2 * 9/2011 Huber et al. 126/299 R
 8,312,873 B2 * 11/2012 Gagas et al. 126/299 D
 D694,386 S * 11/2013 Sinur et al. D23/372
 D694,387 S * 11/2013 Sinur et al. D23/372
 D694,388 S * 11/2013 Sinur et al. D23/372
 D694,389 S * 11/2013 Sinur et al. D23/372
 D694,390 S * 11/2013 Sinur et al. D23/372
 D694,391 S * 11/2013 Sinur et al. D23/372
 D694,392 S * 11/2013 Sinur et al. D23/372
 2006/0278215 A1 * 12/2006 Gagas et al. 126/299 D
 2007/0261693 A1 * 11/2007 Fortuna 126/299 D
 2008/0029081 A1 * 2/2008 Gagas et al. 126/299 D
 2009/0241934 A1 * 10/2009 Canavari 126/299 D
 2012/0248264 A1 * 10/2012 Arslankiray et al. 248/188.2
 2014/0041649 A1 * 2/2014 Sinur et al. 126/299 D

* cited by examiner

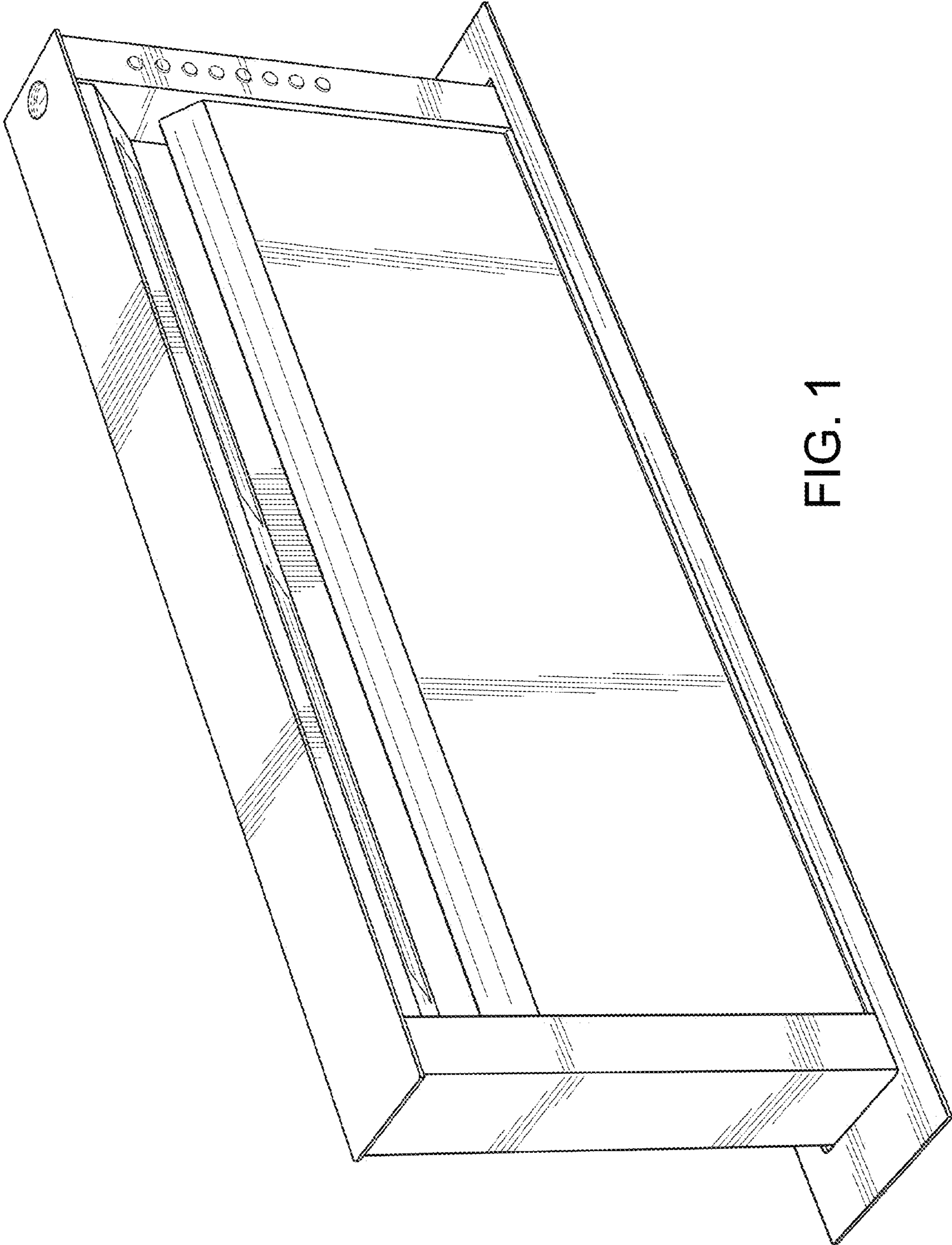


FIG. 1

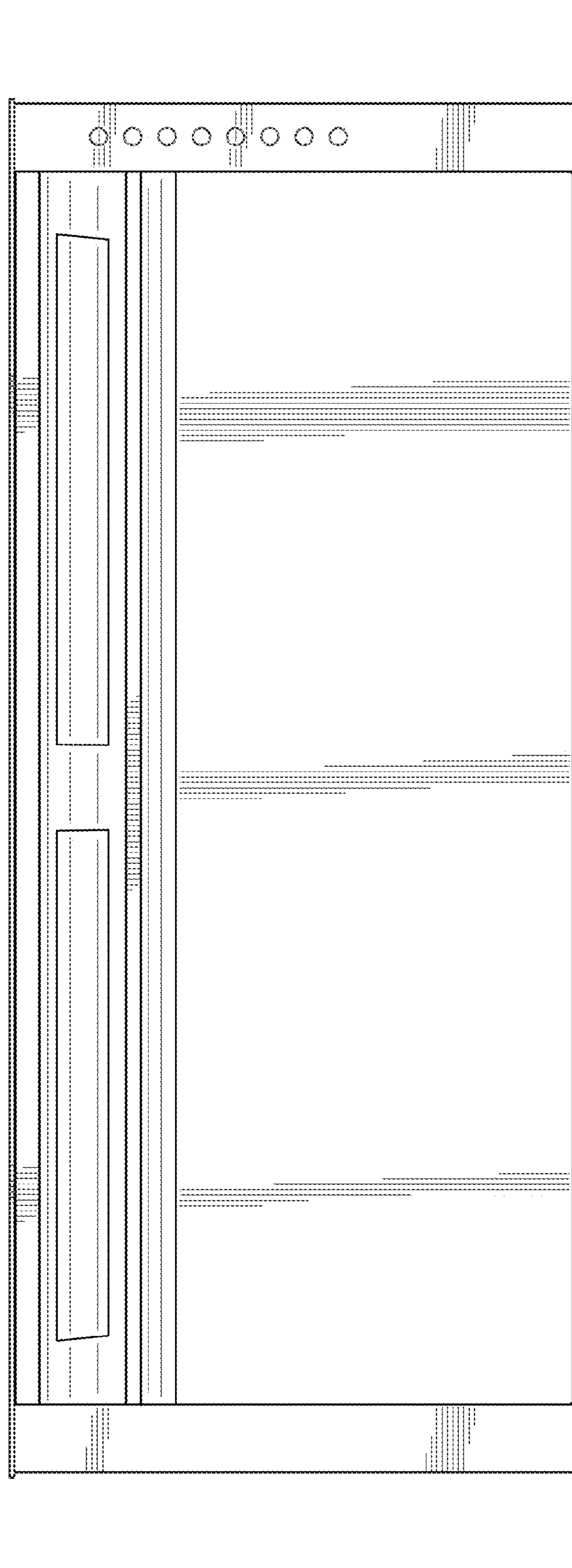
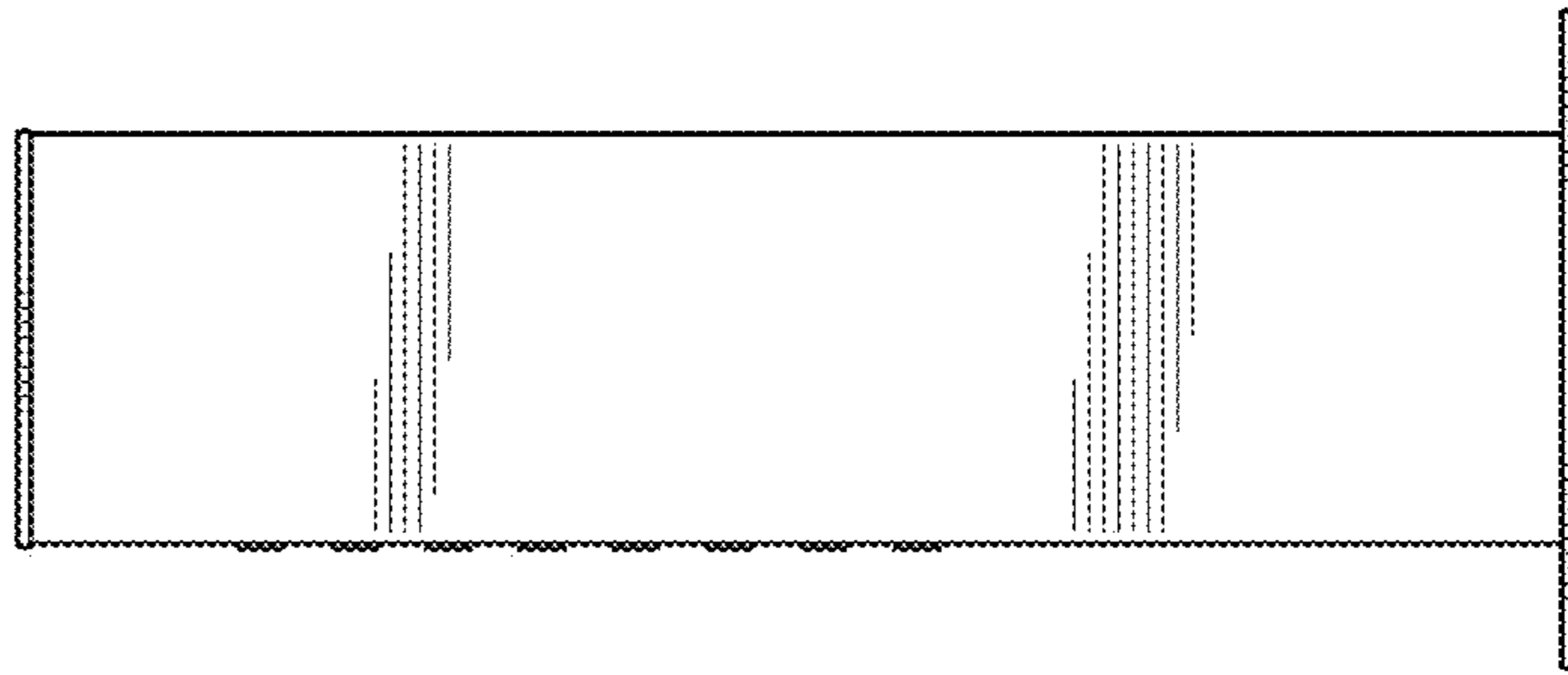


FIG. 2

FIG. 3



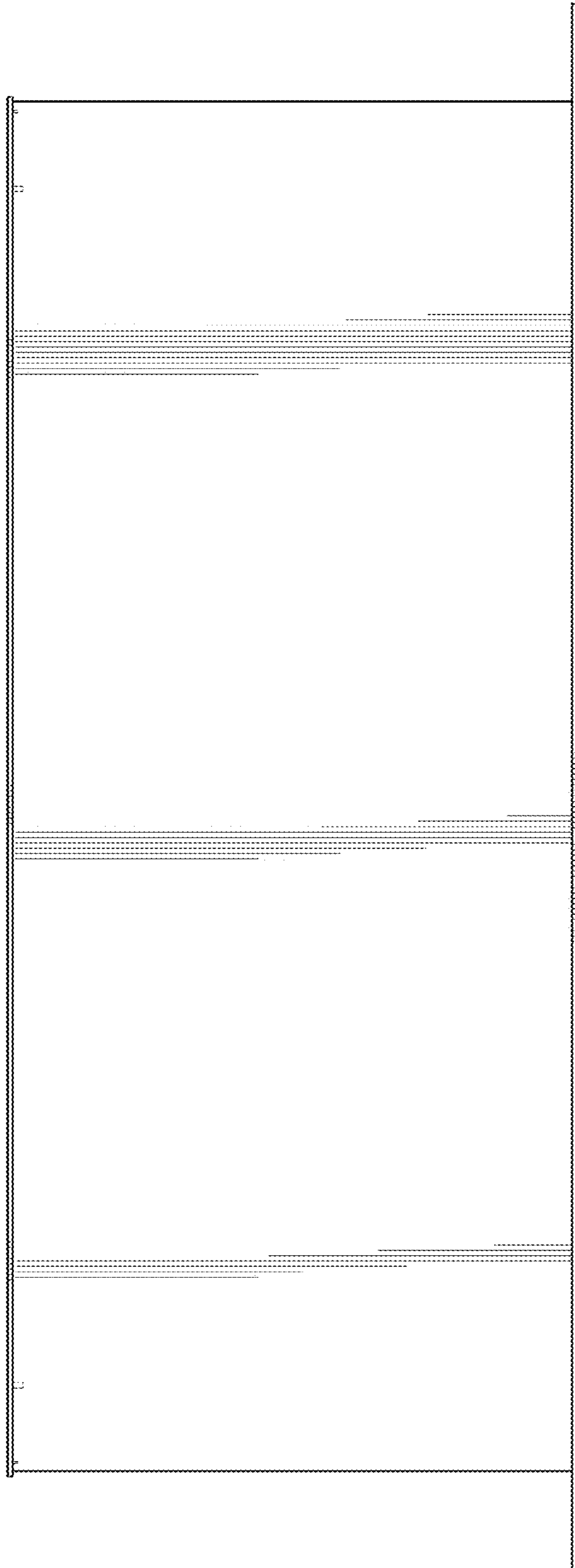
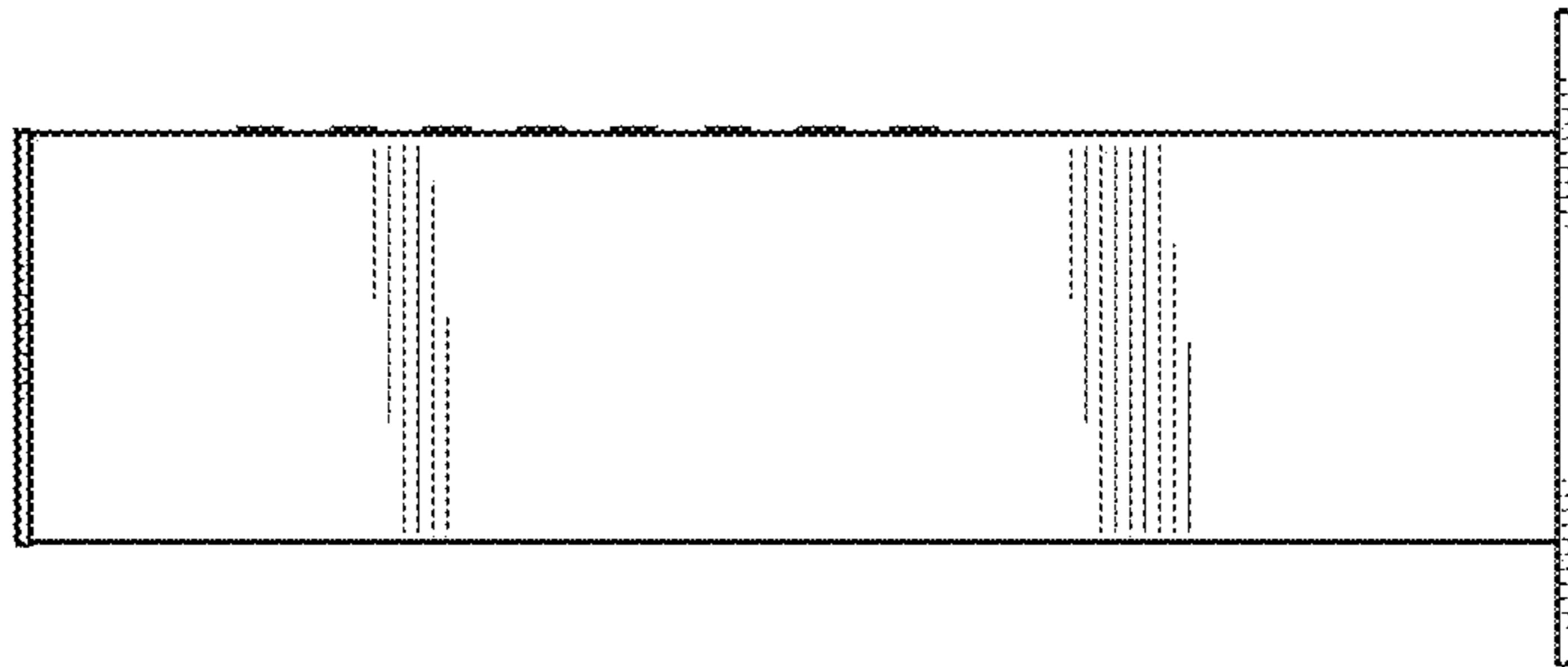


FIG. 4

FIG. 5



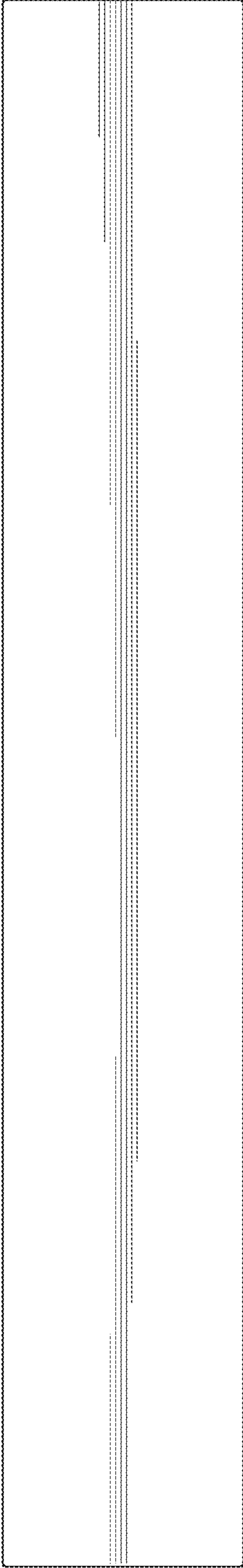


FIG. 6

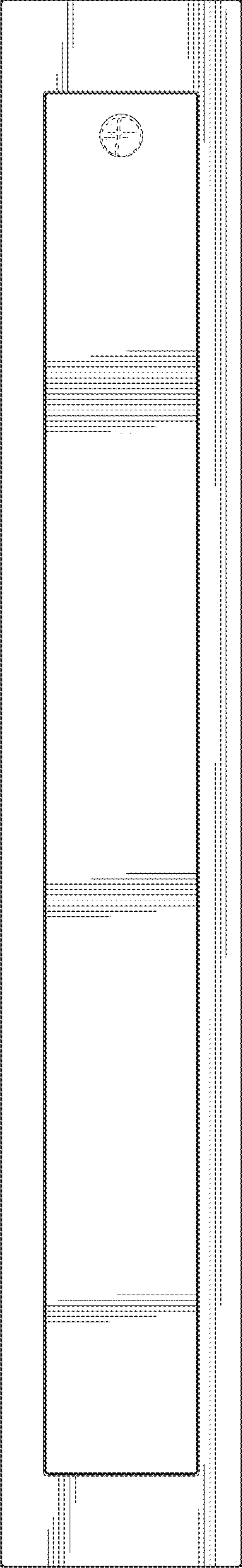


FIG. 7

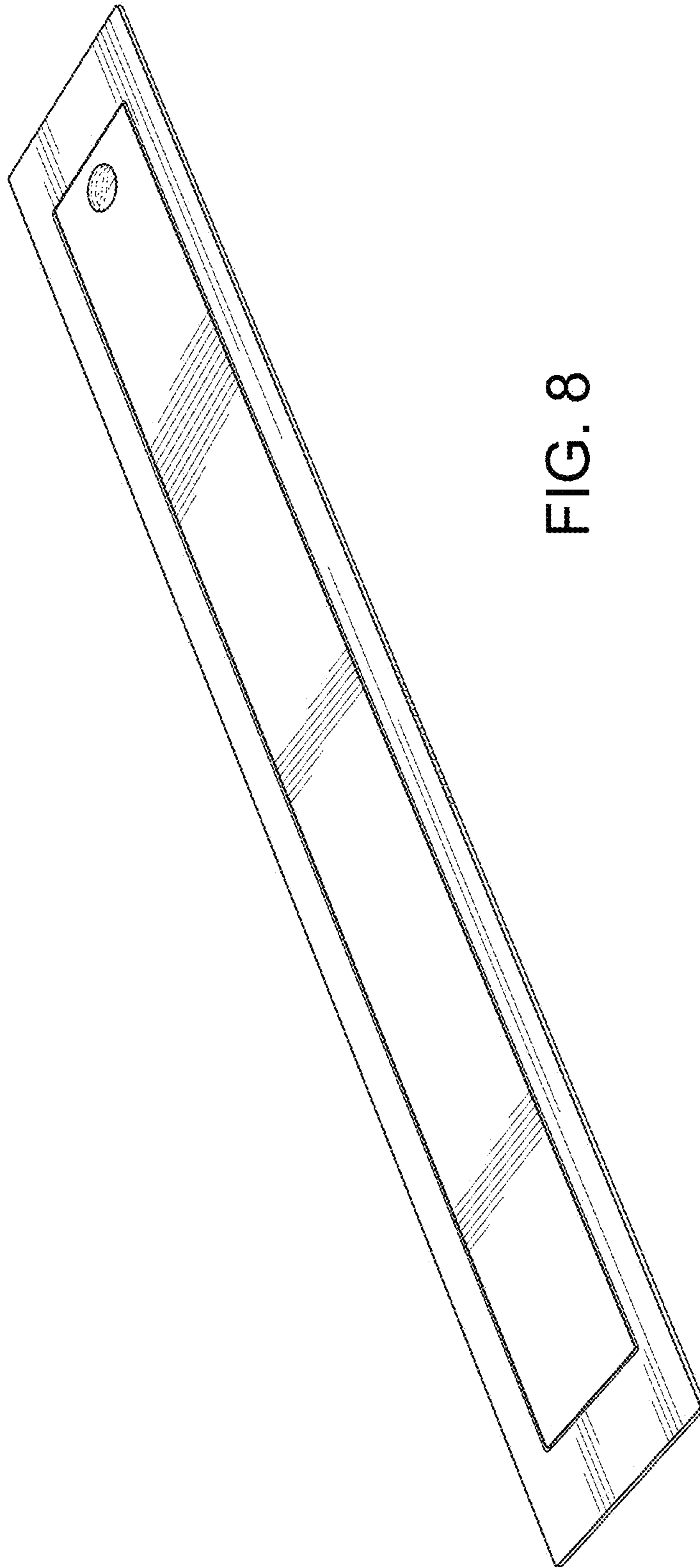


FIG. 8



FIG. 9

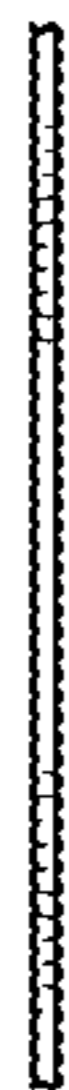


FIG. 10



FIG. 11

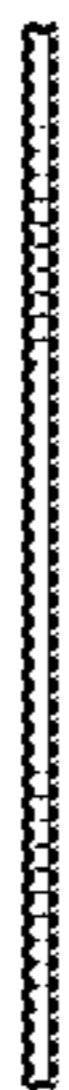


FIG. 12

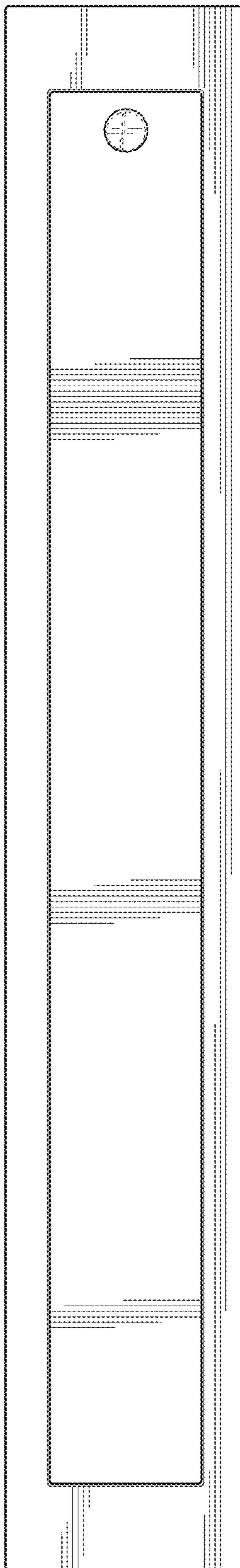


FIG. 13

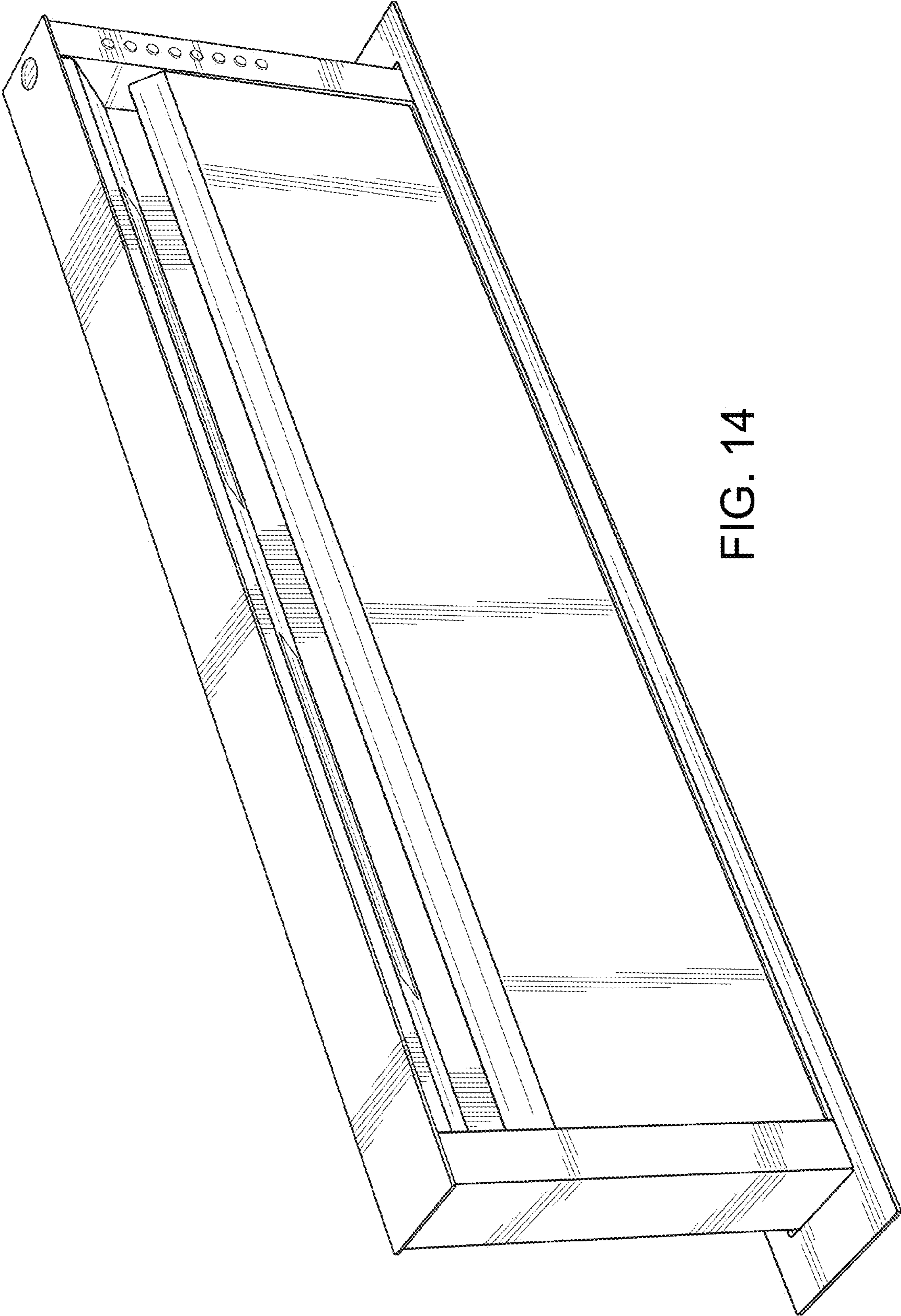


FIG. 14

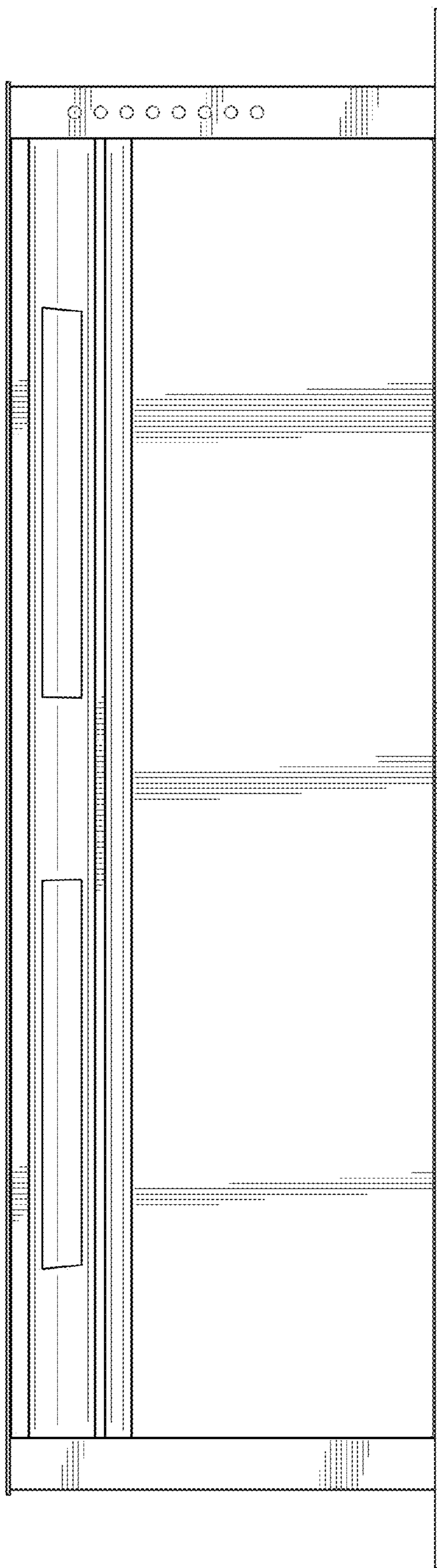


FIG. 15

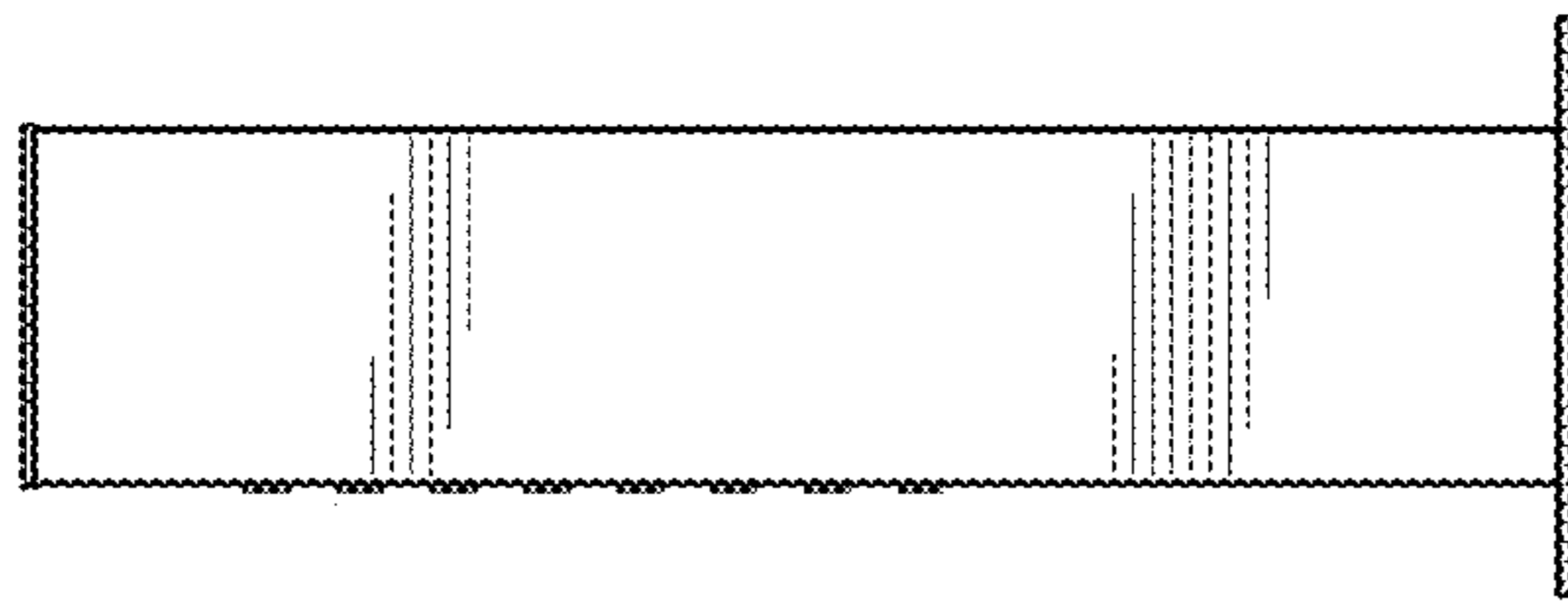


FIG. 16

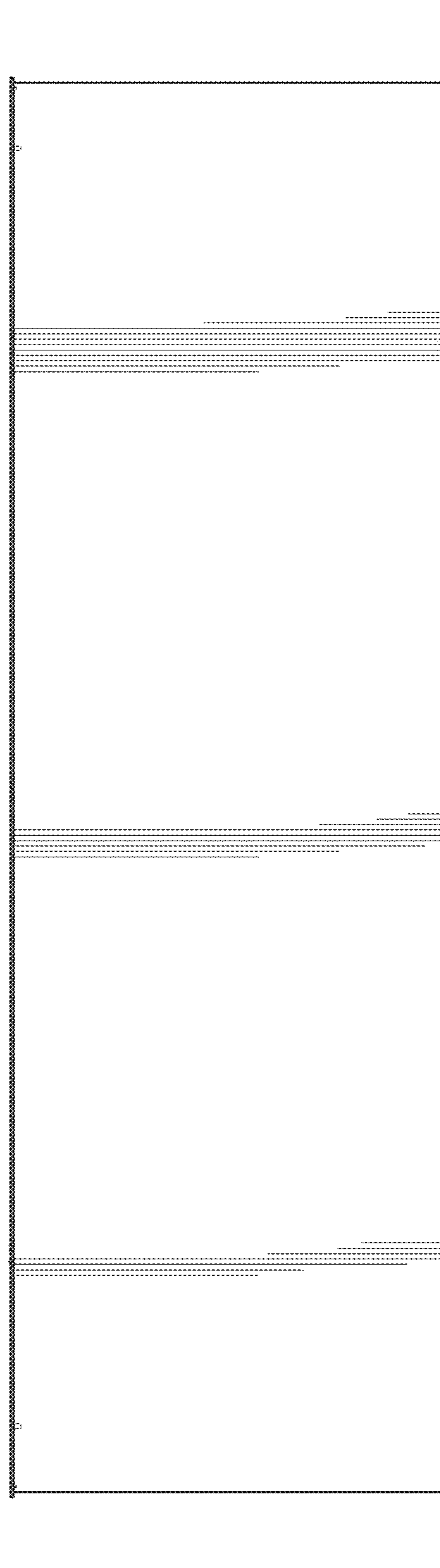


FIG. 17

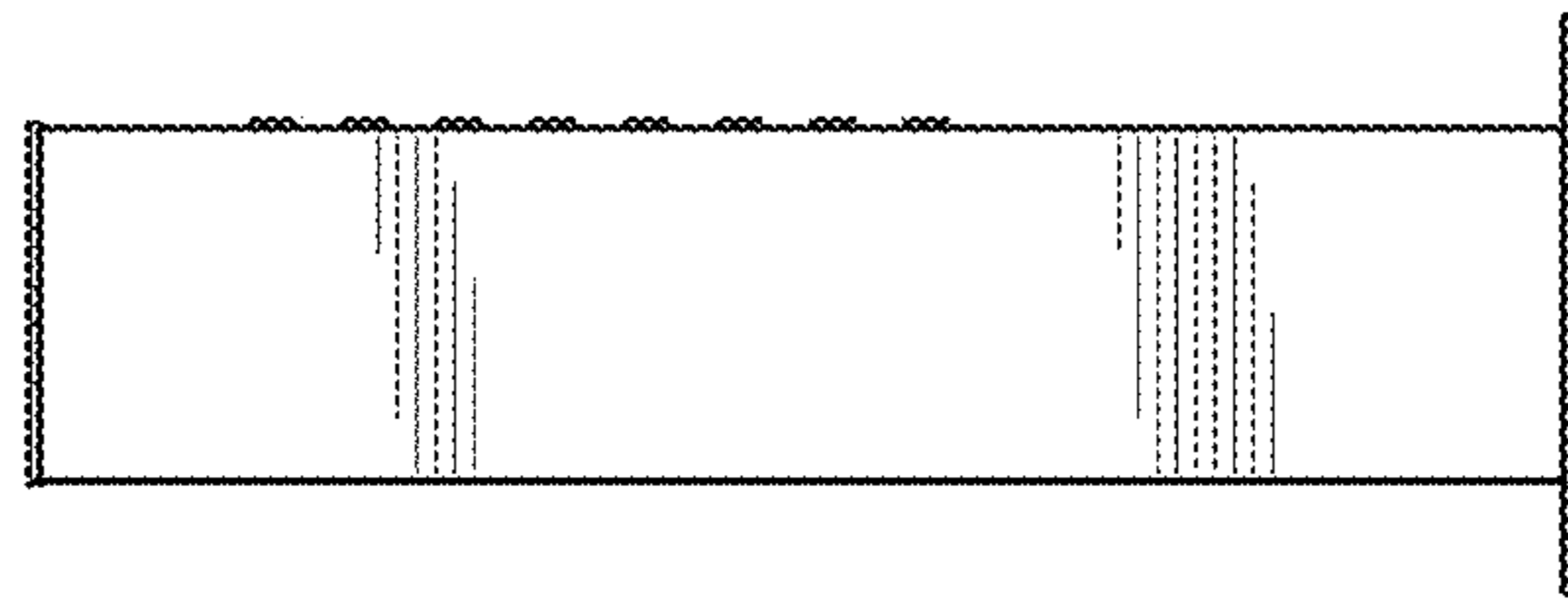


FIG. 18

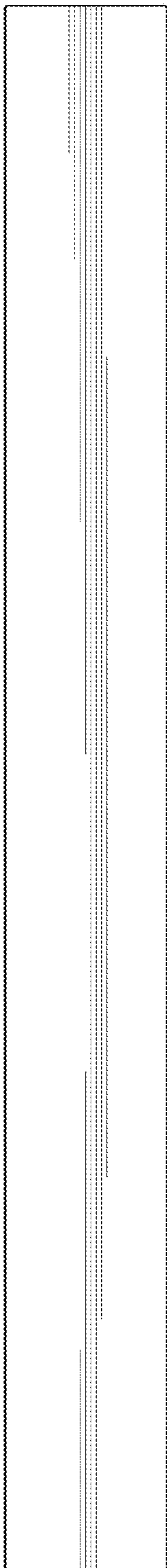


FIG. 19

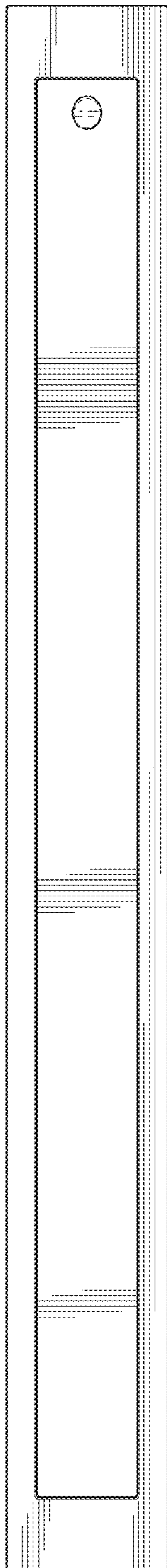


FIG. 20

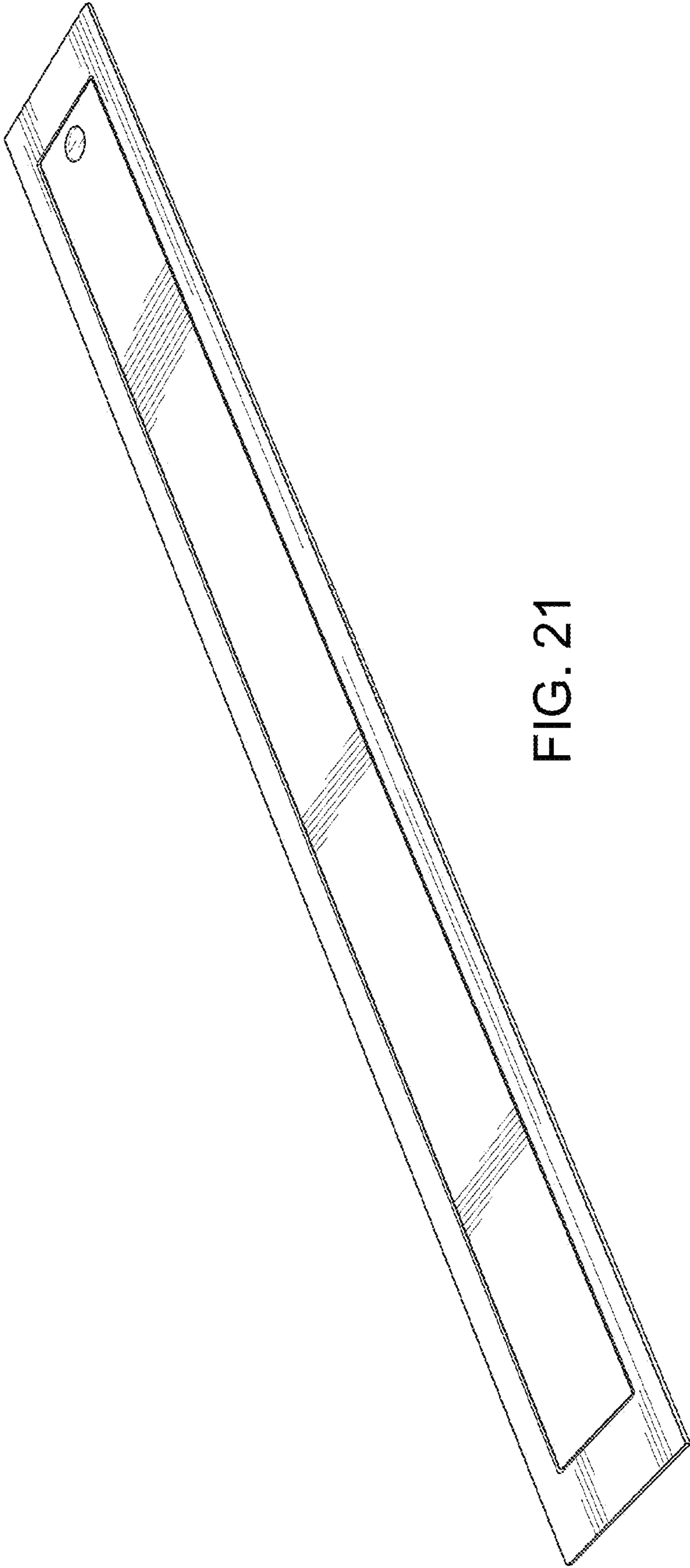


FIG. 21



FIG. 22



FIG. 23

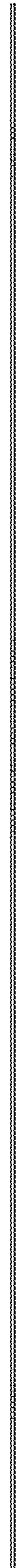


FIG. 24

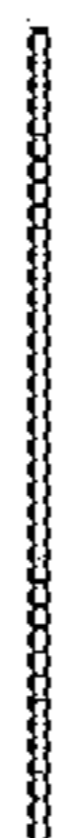


FIG. 25

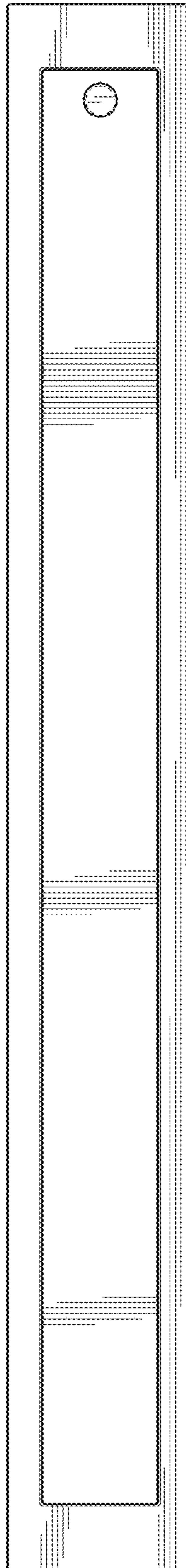


FIG. 26