



US00D733859S

(12) **United States Design Patent**
Hsiao

(10) **Patent No.:** **US D733,859 S**
(45) **Date of Patent:** **** Jul. 7, 2015**

(54) **SCENT WARMER**

(71) Applicant: **Ming Jen Hsiao**, Miaoli County (TW)

(72) Inventor: **Ming Jen Hsiao**, Miaoli County (TW)

(**) Term: **14 Years**

(21) Appl. No.: **29/509,670**

(22) Filed: **Nov. 20, 2014**

(51) **LOC (10) Cl.** **28-99**

(52) **U.S. Cl.**
USPC **D23/366**

(58) **Field of Classification Search**
USPC D23/355-369; D28/5, 6; 261/DIG. 17,
261/DIG. 42, DIG. 65, DIG. 88, DIG. 89;
392/386, 390, 394, 395, 392; 239/34,
239/44, 53, 55, 56, 326; D26/22;
D11/131.1; D7/509
CPC A61L 9/00; A61L 9/02; A61L 9/03;
A61L 9/032; A61L 9/035; A61L 9/037;
A61L 9/04; A61L 9/12; A61L 9/22
See application file for complete search history.

(56) **References Cited**

U.S. PATENT DOCUMENTS

D235,547 S * 6/1975 Schimanski D23/364
5,477,640 A * 12/1995 Holtkamp, Jr. 47/66.6
D535,376 S * 1/2007 Michaels et al. D23/366

D662,581 S * 6/2012 Savegnago D23/366
D662,630 S * 6/2012 Koskinen D26/22
D667,575 S * 9/2012 Santini et al. D26/22
D692,547 S * 10/2013 Wirz D23/366
D692,551 S * 10/2013 Wirz D23/366
D696,763 S * 12/2013 Li D23/366
D698,429 S * 1/2014 Jorgensen D23/366
D698,909 S * 2/2014 Chou D23/366
D698,910 S * 2/2014 Lin D23/366
D700,692 S * 3/2014 Engelhardt D23/366
D703,802 S * 4/2014 Dios D23/359
D716,427 S * 10/2014 Lim et al. D23/364
D720,063 S * 12/2014 Li D23/366
2014/0072286 A1 * 3/2014 Hsiao et al. 392/390

* cited by examiner

Primary Examiner — Sandra Snapp

(74) *Attorney, Agent, or Firm* — Ming Chow; Sinorica, LLC

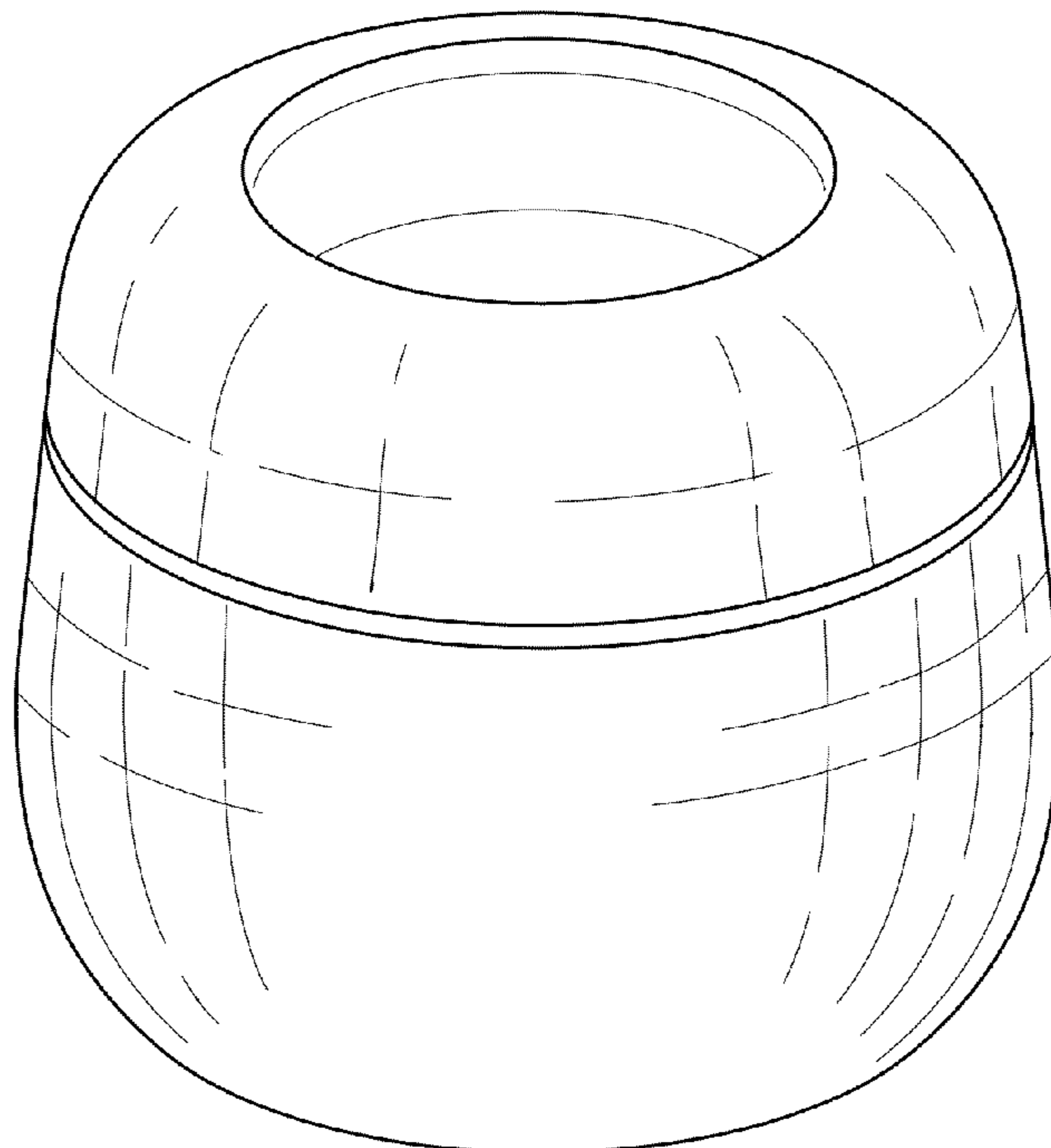
(57) **CLAIM**

The ornamental design for a scent warmer, as shown and described.

DESCRIPTION

FIG. 1 is a perspective view of a scent warmer showing my new design;
FIG. 2 is a front view thereof;
FIG. 3 is a rear view thereof;
FIG. 4 is a left side view thereof;
FIG. 5 is a right side view thereof;
FIG. 6 is a top view thereof; and,
FIG. 7 is a bottom view thereof.

1 Claim, 7 Drawing Sheets



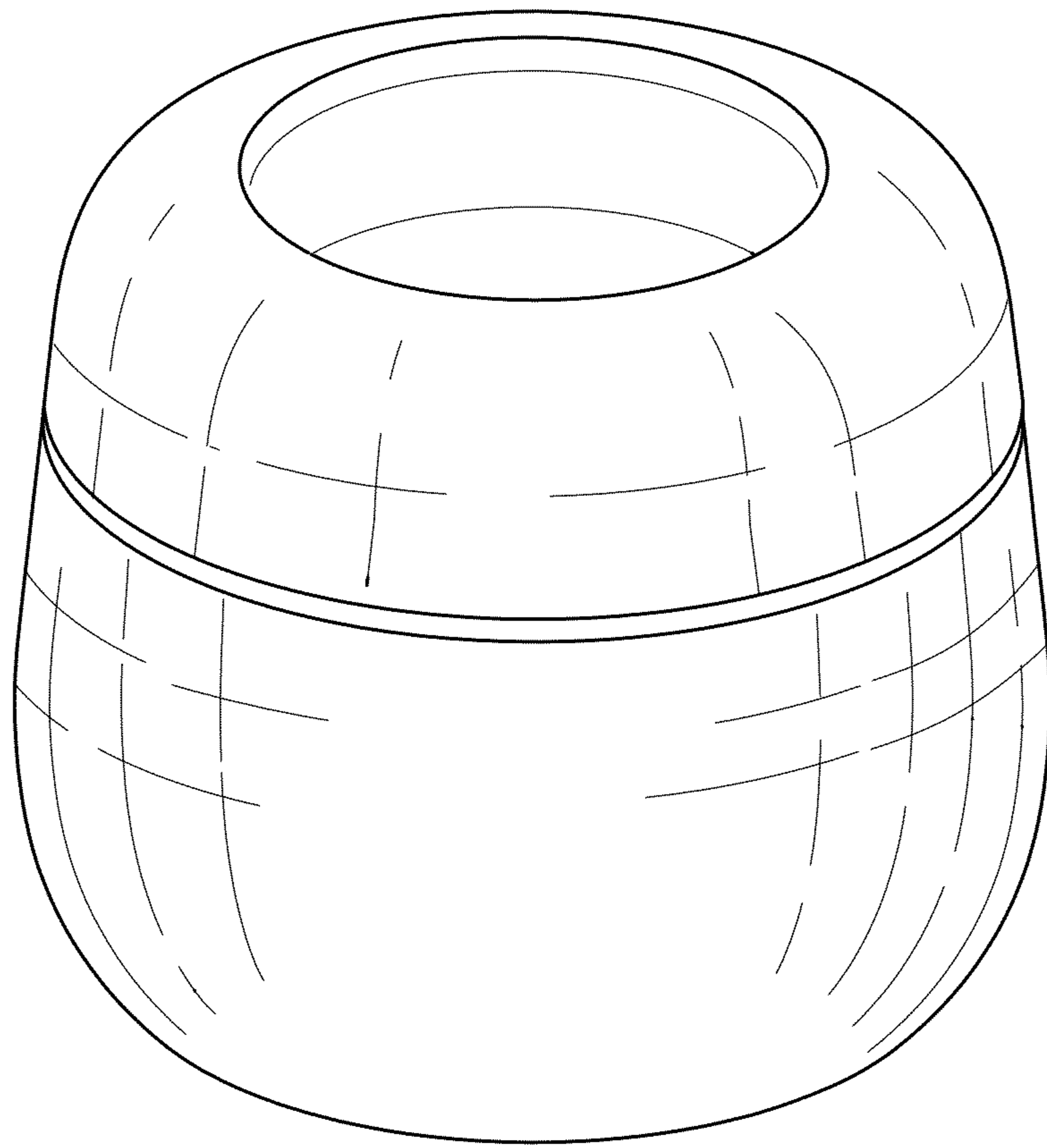


FIG. 1

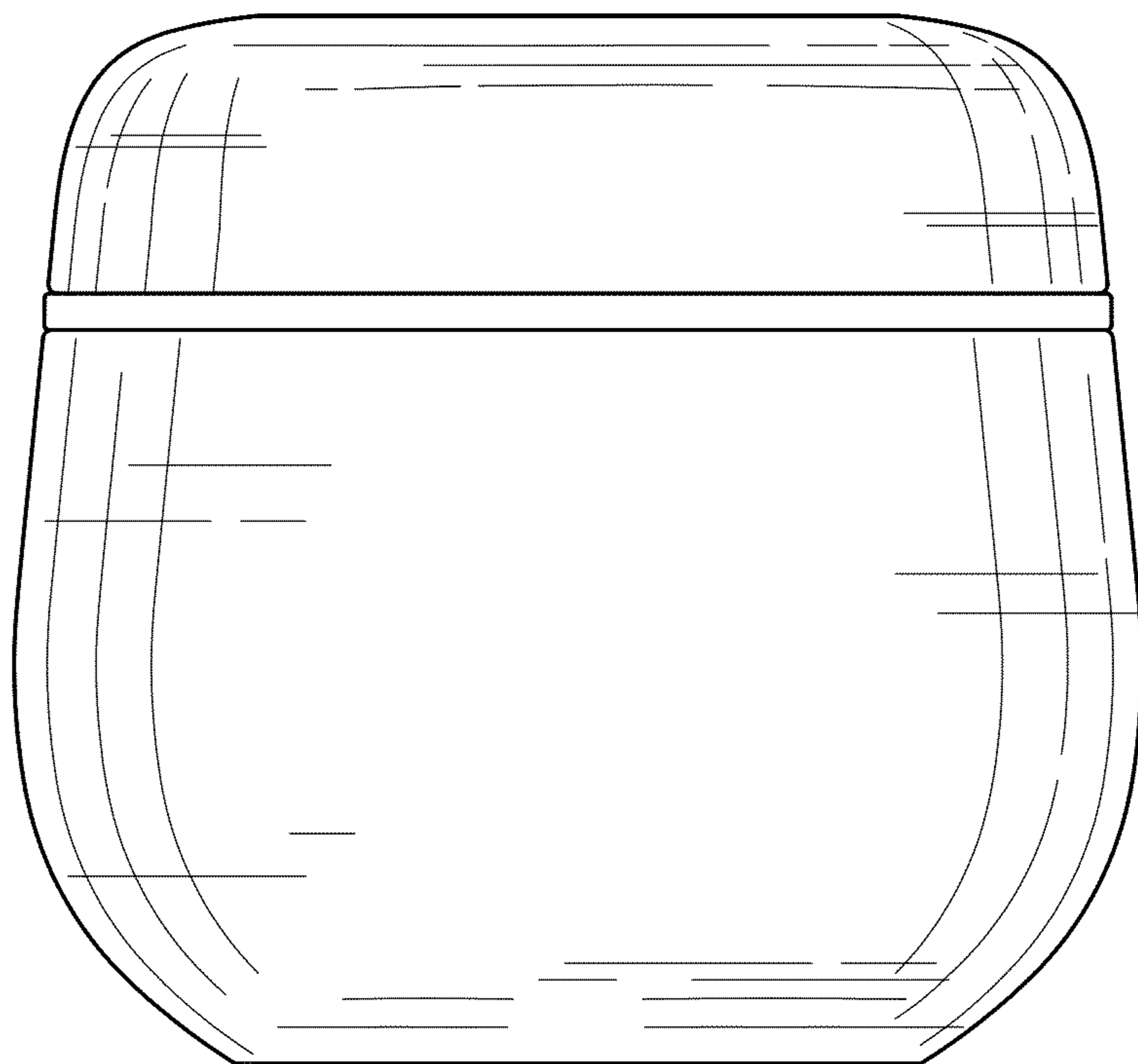


FIG. 2

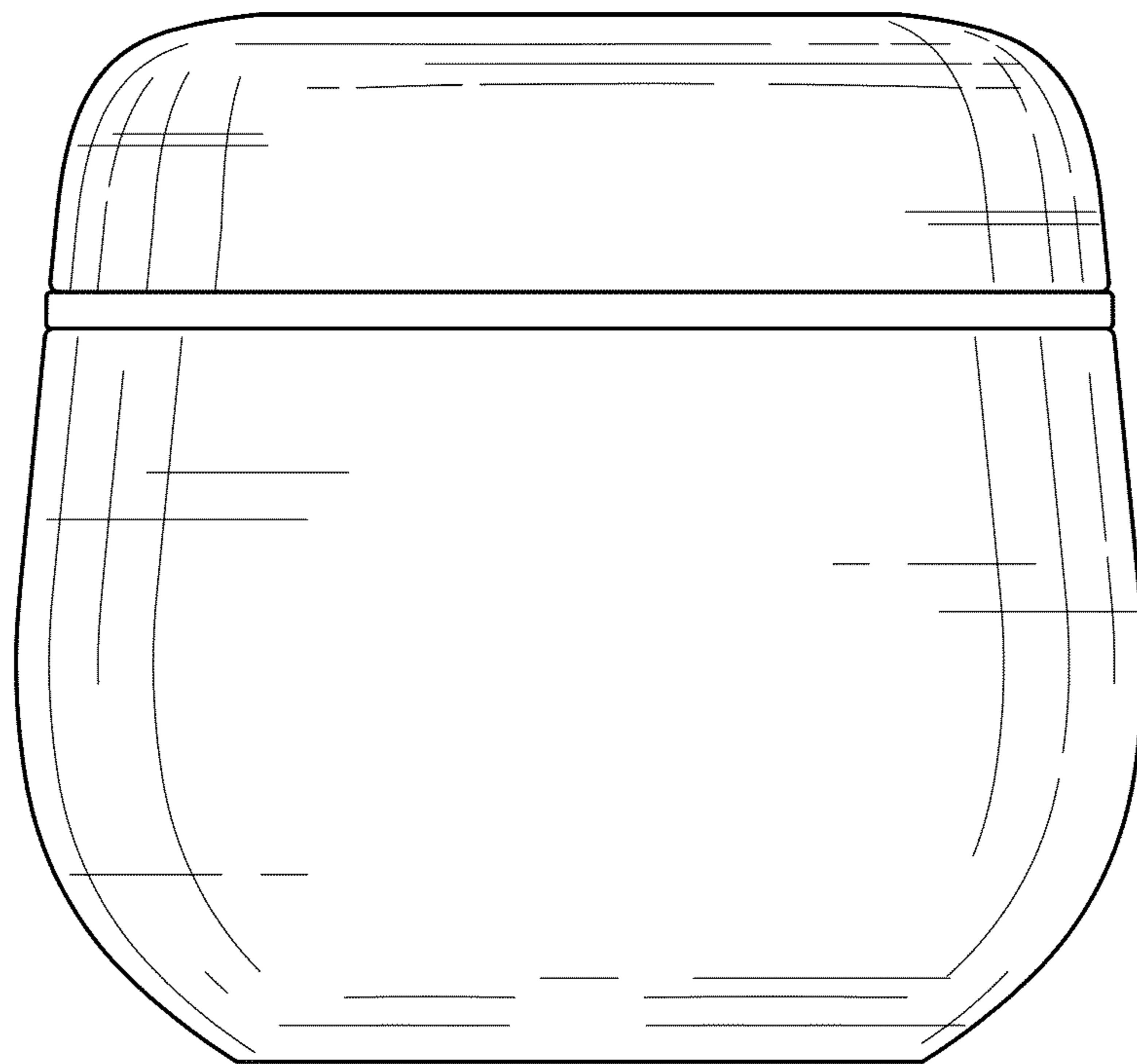


FIG. 3

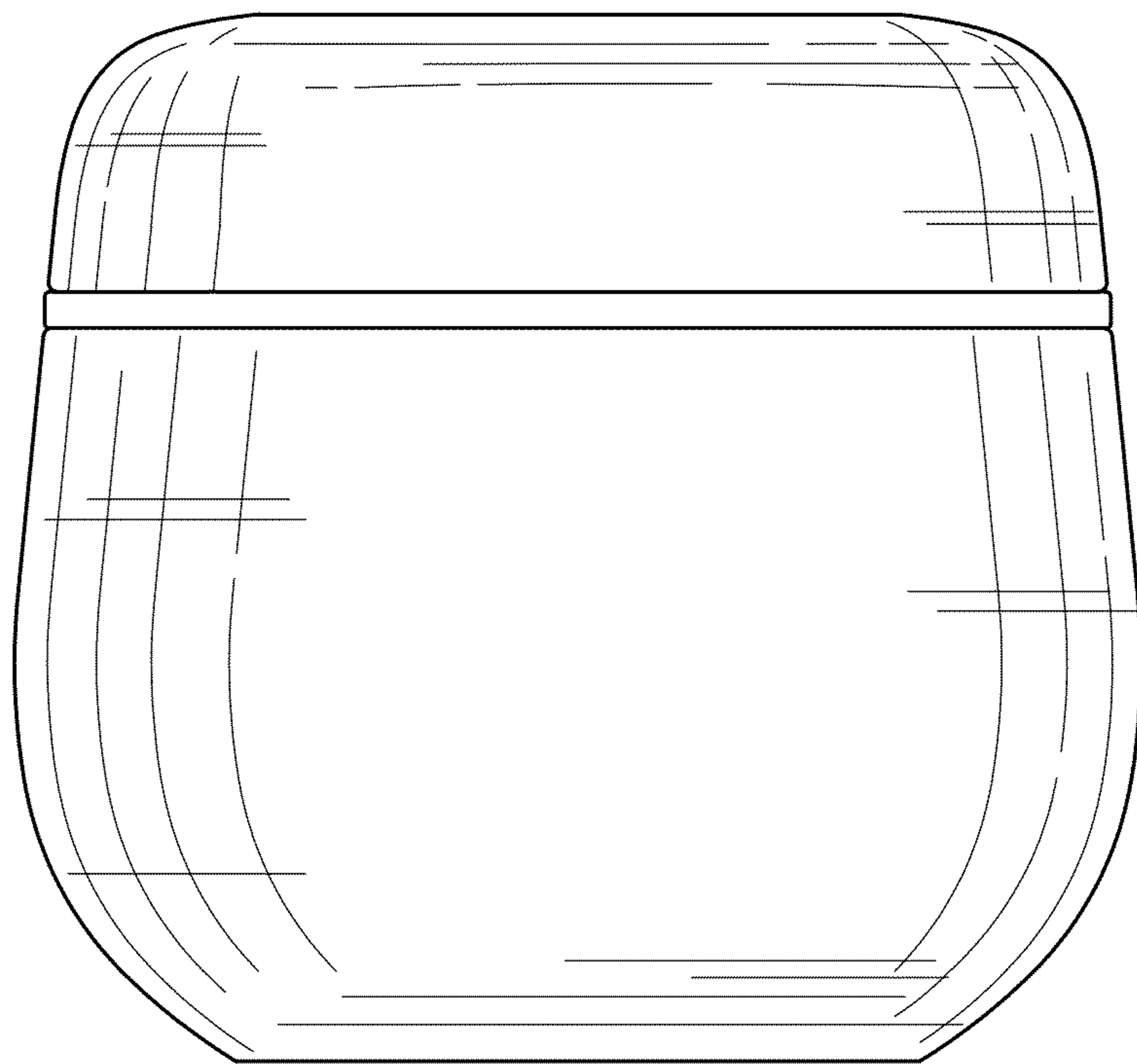


FIG. 4

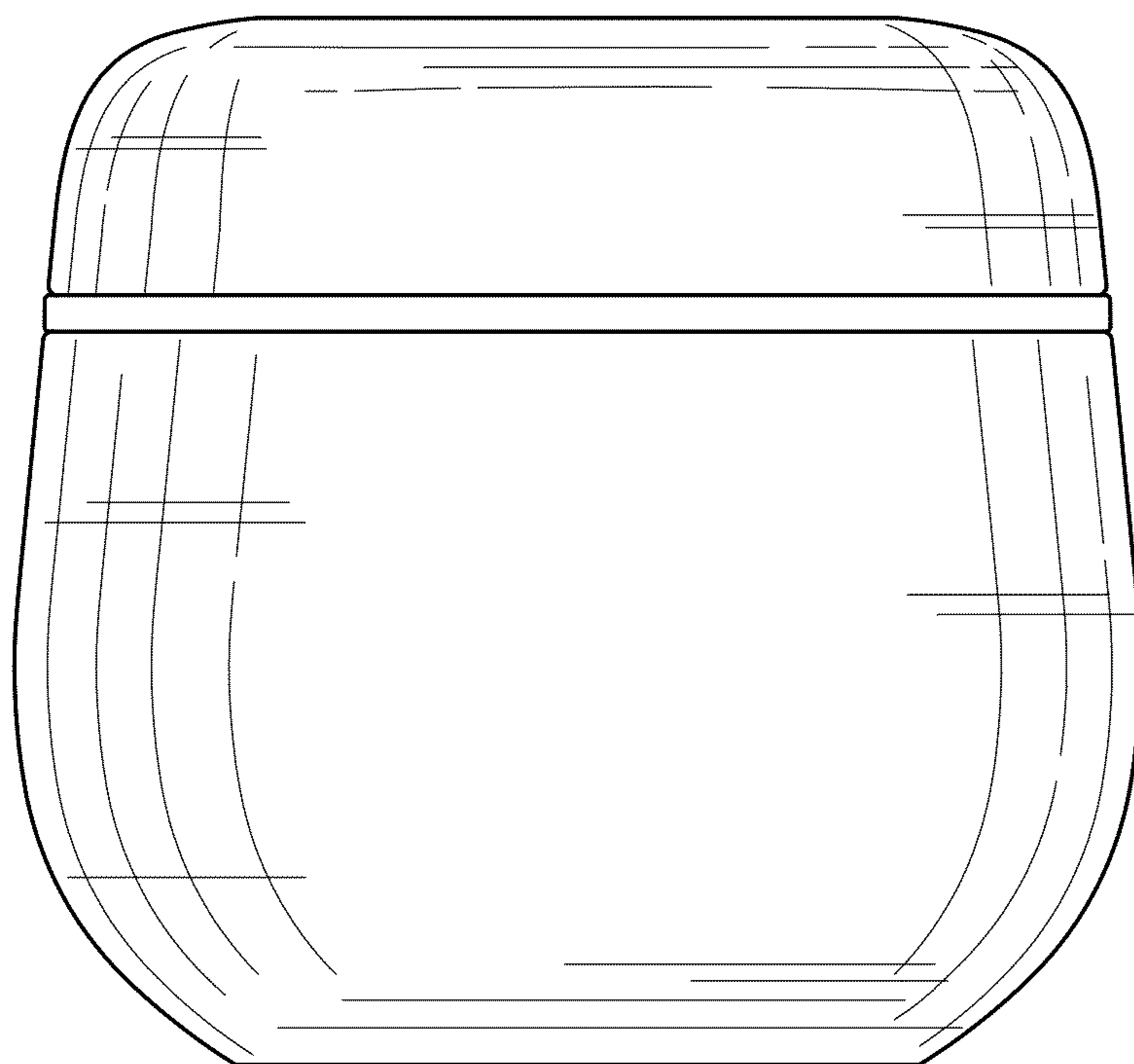


FIG. 5

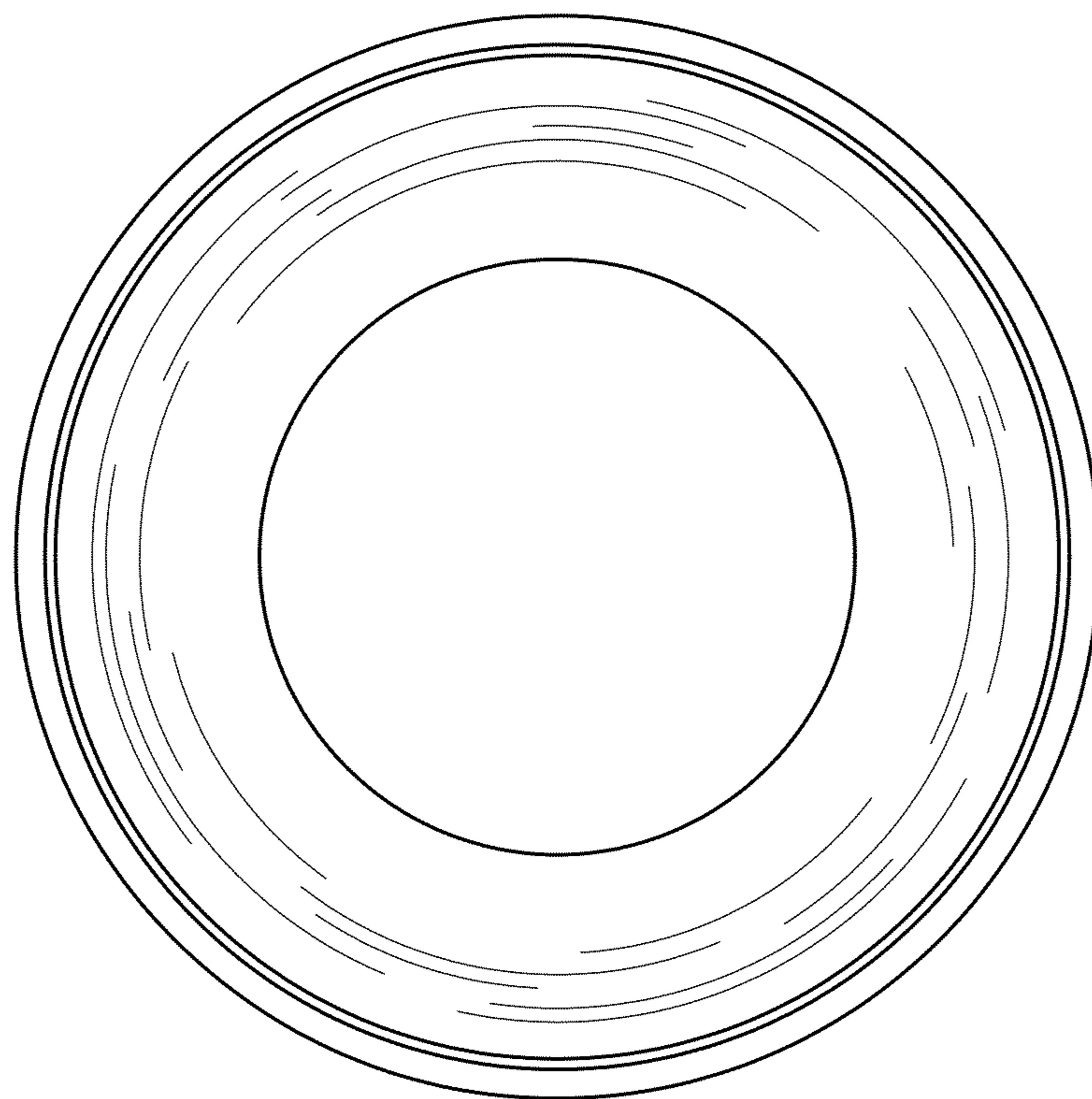


FIG. 6

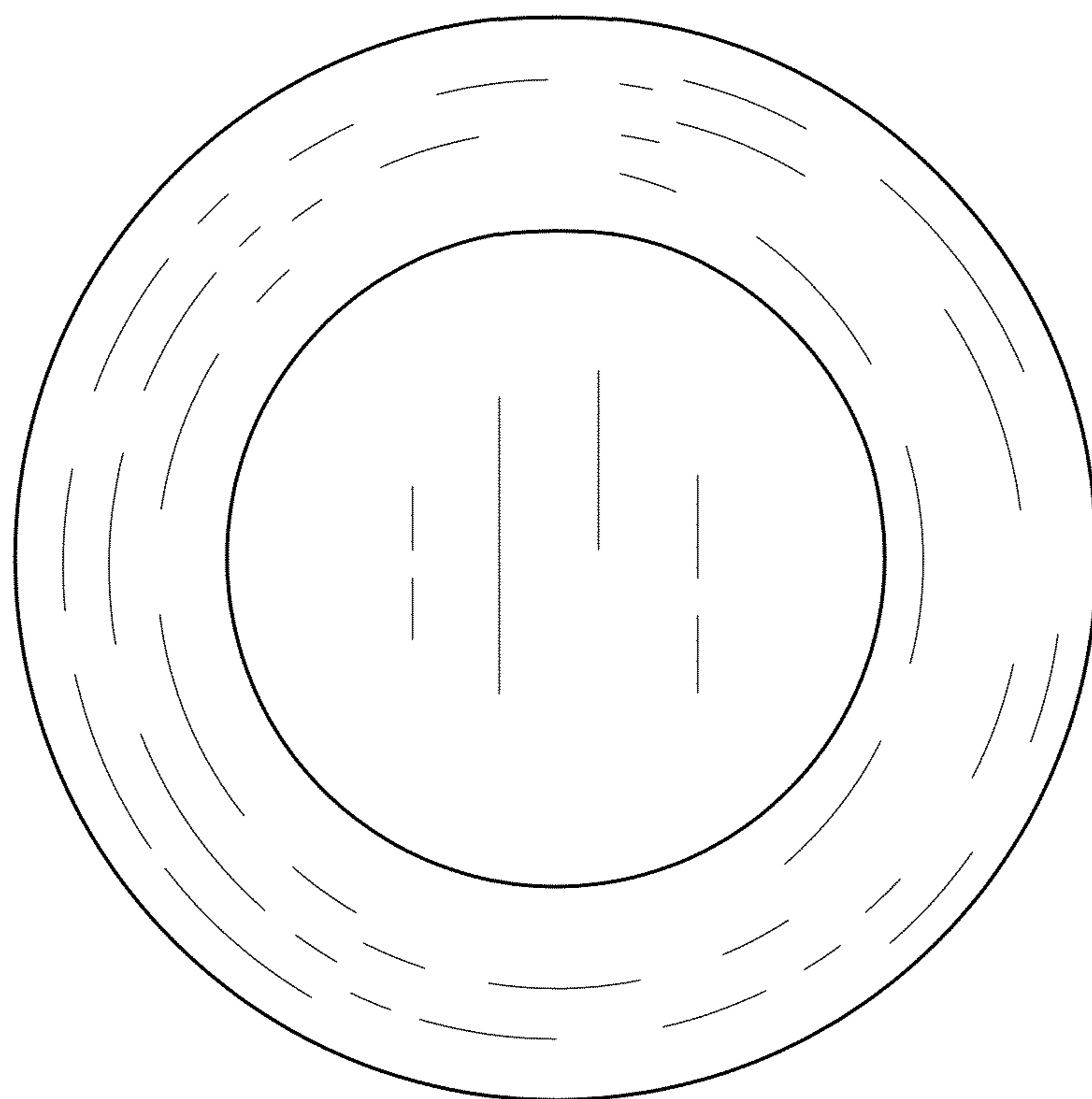


FIG. 7