



US00D733855S

(12) **United States Design Patent**
Tokura

(10) **Patent No.:** **US D733,855 S**
(45) **Date of Patent:** **** Jul. 7, 2015**

(54) **HEAT EXCHANGER HOLDER**

(71) Applicant: **KYOSHIN KOGYO CO., LTD.**, Osaka
(JP)

(72) Inventor: **Kenji Tokura**, Osaka (JP)

(73) Assignee: **KYOSHIN KOGYO CO., LTD.**, Osaka
(JP)

(**) Term: **14 Years**

(21) Appl. No.: **29/493,251**

(22) Filed: **Jun. 6, 2014**

(51) **LOC (10) Cl.** **23-03**

(52) **U.S. Cl.**
USPC **D23/323**

(58) **Field of Classification Search**
USPC D23/314, 316, 323, 322, 318, 329;
D13/133; 165/67, 177, 186;
248/229.26

See application file for complete search history.

(56) **References Cited**

U.S. PATENT DOCUMENTS

3,242,981	A *	3/1966	Hutchinson et al.	165/67
8,529,156	B2 *	9/2013	Biggs et al.	405/184
2010/0270006	A1 *	10/2010	Kaczmarek et al.	165/67
2011/0111618	A1 *	5/2011	Su et al.	439/357
2014/0060782	A1 *	3/2014	Ikeda et al.	165/104.26

* cited by examiner

Primary Examiner — T. Chase Nelson

Assistant Examiner — Ania Aman

(74) *Attorney, Agent, or Firm* — Konomi Takeshita

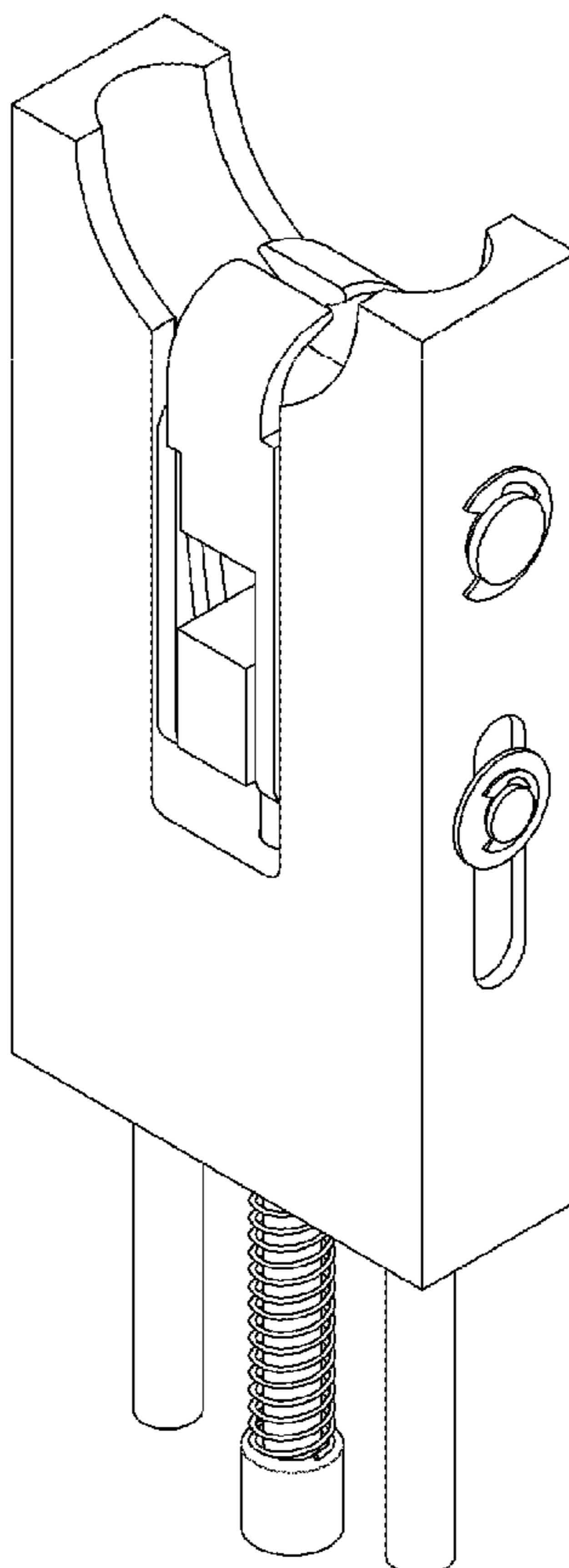
(57) **CLAIM**

The ornamental design for a heat exchanger holder, substantially as shown and described.

DESCRIPTION

FIG. 1 is a perspective view of a heat exchanger holder, showing our new design;
FIG. 2 is a front plan view thereof;
FIG. 3 is a rear plan view thereof;
FIG. 4 is a left side view thereof;
FIG. 5 is a right side view thereof;
FIG. 6 is a top plan view thereof; and,
FIG. 7 is a bottom plan view thereof.

1 Claim, 7 Drawing Sheets



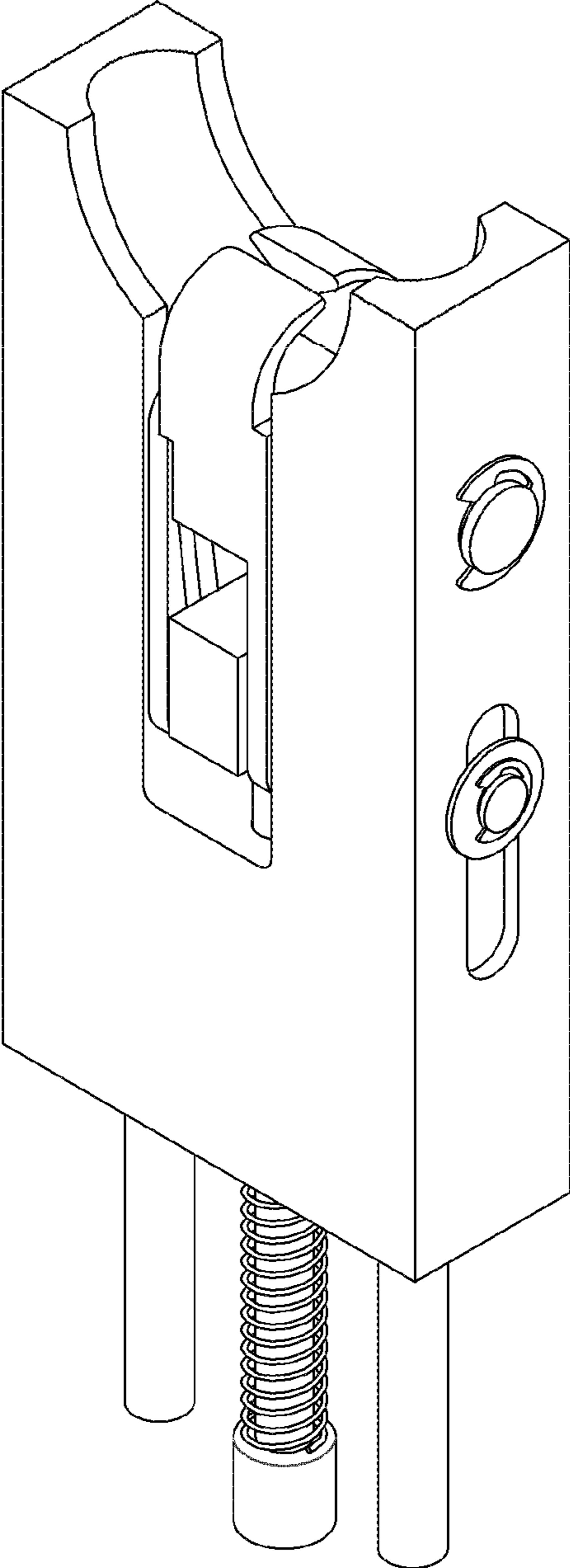


FIG. 1

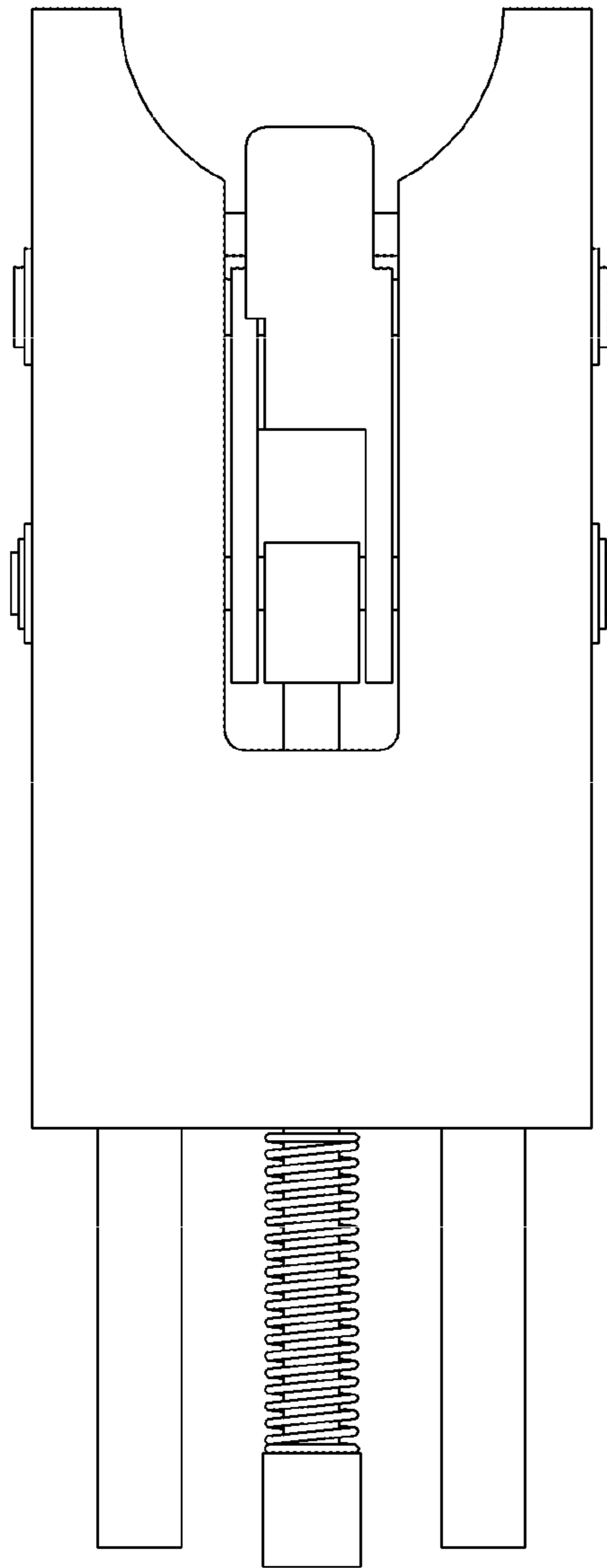


FIG.2

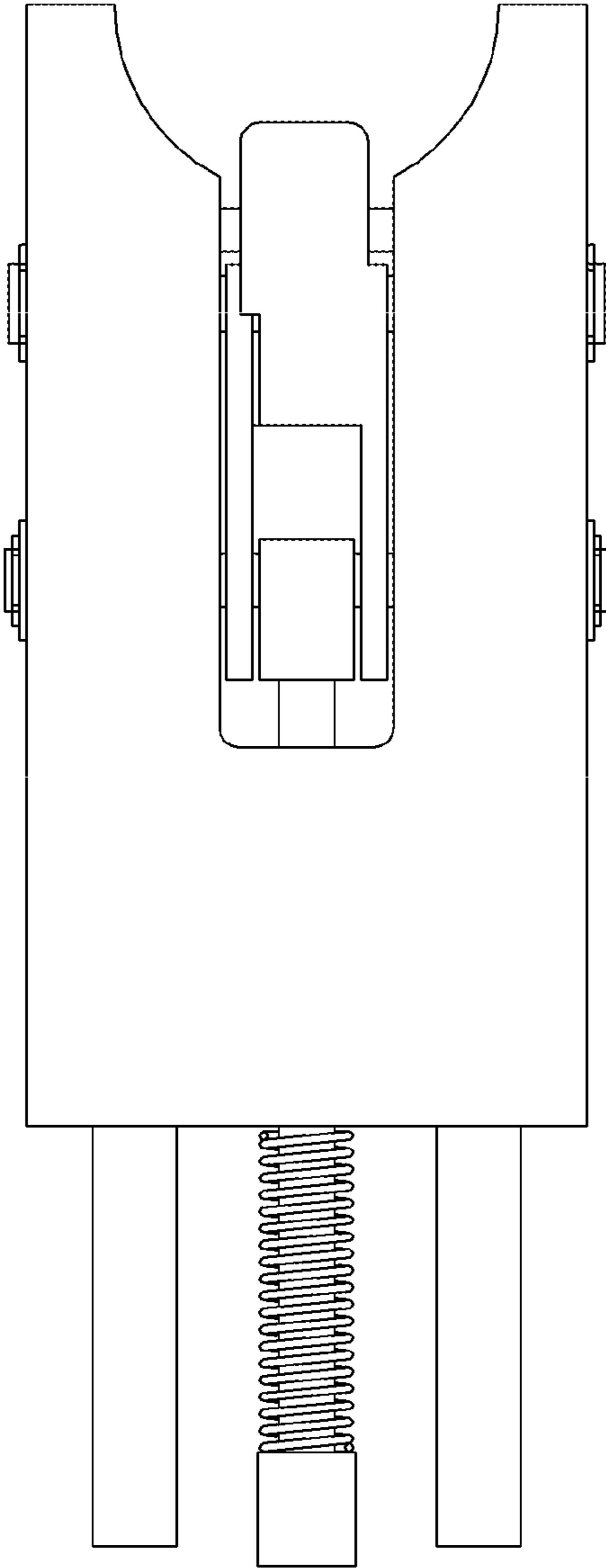


FIG.3

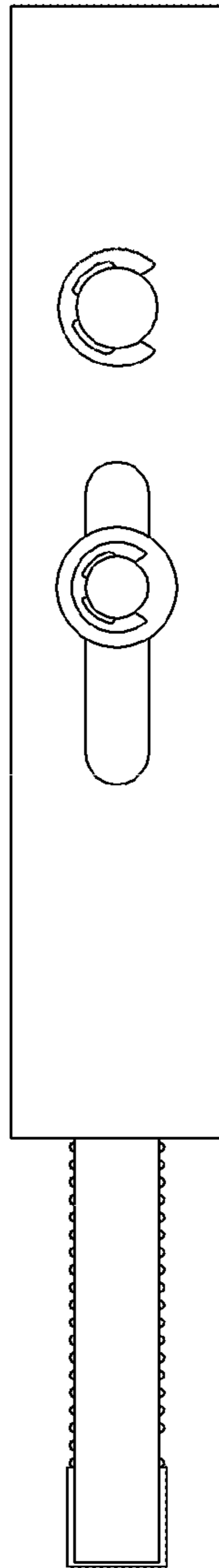


FIG.4

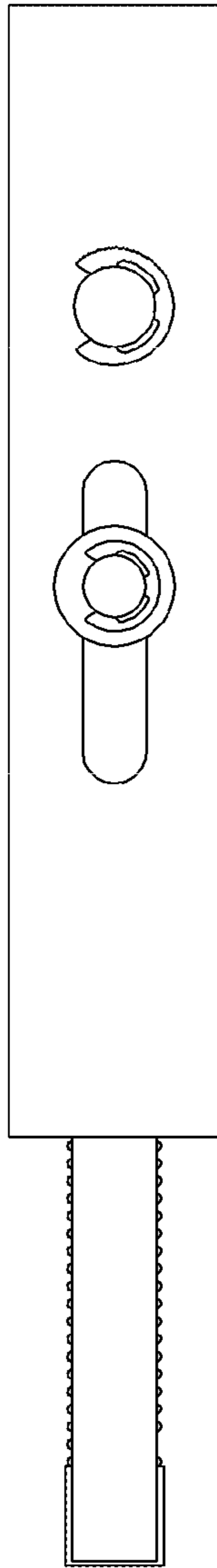


FIG.5

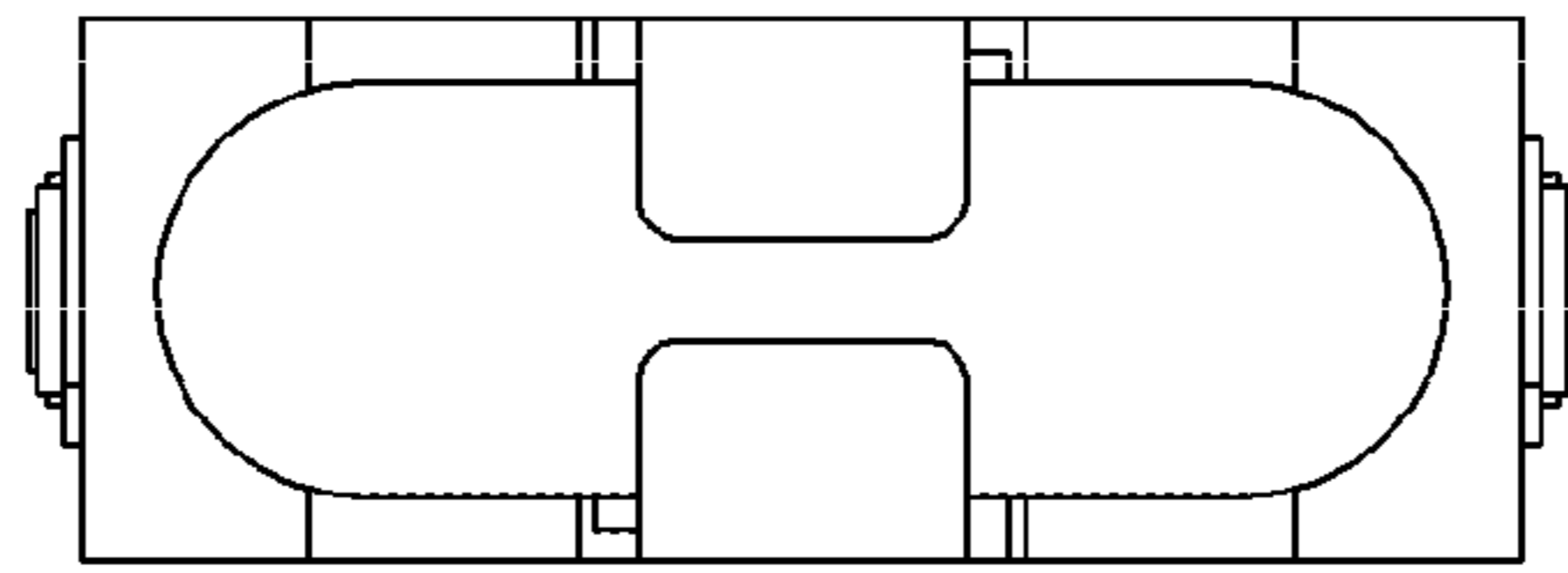


FIG.6

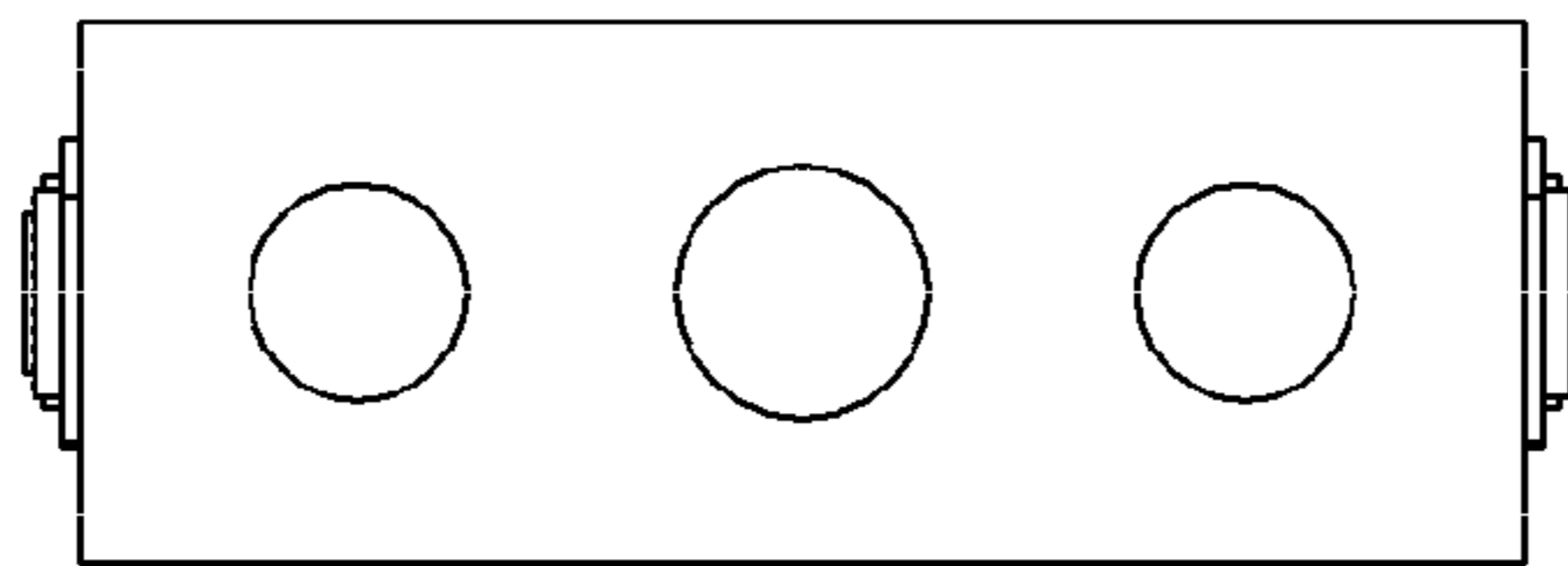


FIG.7

UNITED STATES PATENT AND TRADEMARK OFFICE
CERTIFICATE OF CORRECTION

PATENT NO. : D733,855 S
APPLICATION NO. : 29/493251
DATED : July 7, 2015
INVENTOR(S) : Kenji Tokura

Page 1 of 1

It is certified that error appears in the above-identified patent and that said Letters Patent is hereby corrected as shown below:

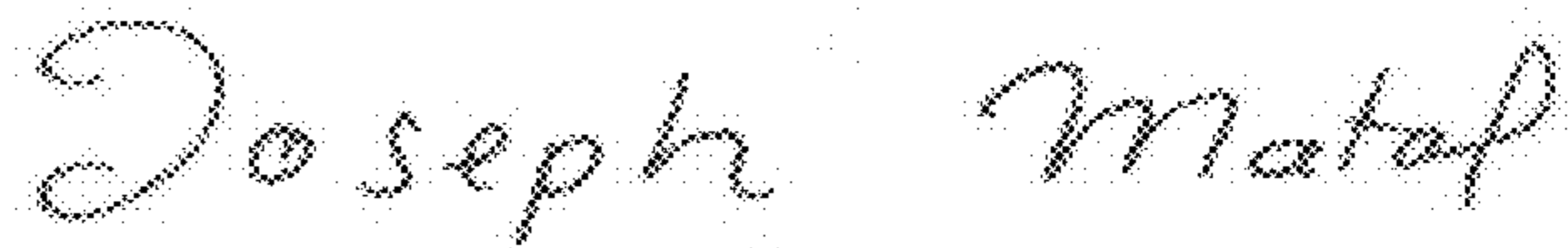
On the Title Page

Item (30), should read:

(30) --Foreign Application Priority Data

December 6, 2013 (KR) -----30-2013-0061674--

Signed and Sealed this
Thirty-first Day of October, 2017



Joseph Matal

*Performing the Functions and Duties of the
Under Secretary of Commerce for Intellectual Property and
Director of the United States Patent and Trademark Office*