



US00D733848S

(12) **United States Design Patent**
Koyama

(10) **Patent No.:** **US D733,848 S**
(45) **Date of Patent:** **** Jul. 7, 2015**

(54) **AIRPLANE LAVATORY**

(74) *Attorney, Agent, or Firm* — Banner & Witcoff, Ltd.

(71) Applicant: **THE YOKOHAMA RUBBER CO., LTD.**, Minato-ku, Tokyo (JP)

(57) **CLAIM**

The ornamental design for an airplane lavatory, as shown and described.

(72) Inventor: **Takashi Koyama**, Hiratsuka (JP)

DESCRIPTION

(73) Assignee: **THE YOKOHAMA RUBBER CO., LTD.**, Minato-ku, Tokyo (JP)

(**) Term: **14 Years**

(21) Appl. No.: **29/503,572**

(22) Filed: **Sep. 26, 2014**

(30) **Foreign Application Priority Data**

Mar. 27, 2014 (JP) 2014-006614

(51) **LOC (10) Cl.** **23-02**

(52) **U.S. Cl.**
USPC **D23/295; D23/308**

(58) **Field of Classification Search**
USPC D23/270–271, 273–274, 295, 299–300,
D23/303, 309, 310; D12/345, 40, 43
CPC B64D 11/02
See application file for complete search history.

FIG. 1 is a front, right perspective view of an airplane lavatory showing my new design;
FIG. 2 is a front view thereof;
FIG. 3 is a rear view thereof;
FIG. 4 is a left side view thereof;
FIG. 5 is a right side view thereof;
FIG. 6 is a top plan view thereof;
FIG. 7 is a bottom view thereof;
FIG. 8 is a sectional view taken along lines 8-8 shown in FIG. 2;
FIG. 9 is a sectional view taken along lines 9-9 shown in FIG. 2;
FIG. 10 is a sectional view taken along lines 10-10 shown in FIG. 6;
FIG. 11 is a sectional view taken along lines 11-11 shown in FIG. 6;
FIG. 12 is a sectional view taken along lines 12-12 shown in FIG. 6;
FIG. 13 is a sectional view taken along lines 13-13 shown in FIG. 6;
FIG. 14 is a front, left perspective view showing an interior part thereof;
FIG. 15 is a front, left perspective view showing the interior part thereof in a state where a seat cover is opened; and,
FIG. 16 is a front, left perspective view showing the interior part thereof in a state where a seat and a seat cover are opened. The broken lines shown are included for the purpose of illustrating the unclaimed portions of the airplane lavatory and form no part of the claimed design.

(56) **References Cited**

U.S. PATENT DOCUMENTS

D503,781 S * 4/2005 Matthews et al. D23/311
D583,917 S * 12/2008 Bock et al. D23/295
D608,426 S * 1/2010 Ando et al. D23/295
D704,316 S * 5/2014 Ishikawa et al. D23/295
2013/0099055 A1 * 4/2013 Pfeiffer 244/118.5

* cited by examiner

Primary Examiner — Robert Delehanty

1 Claim, 16 Drawing Sheets

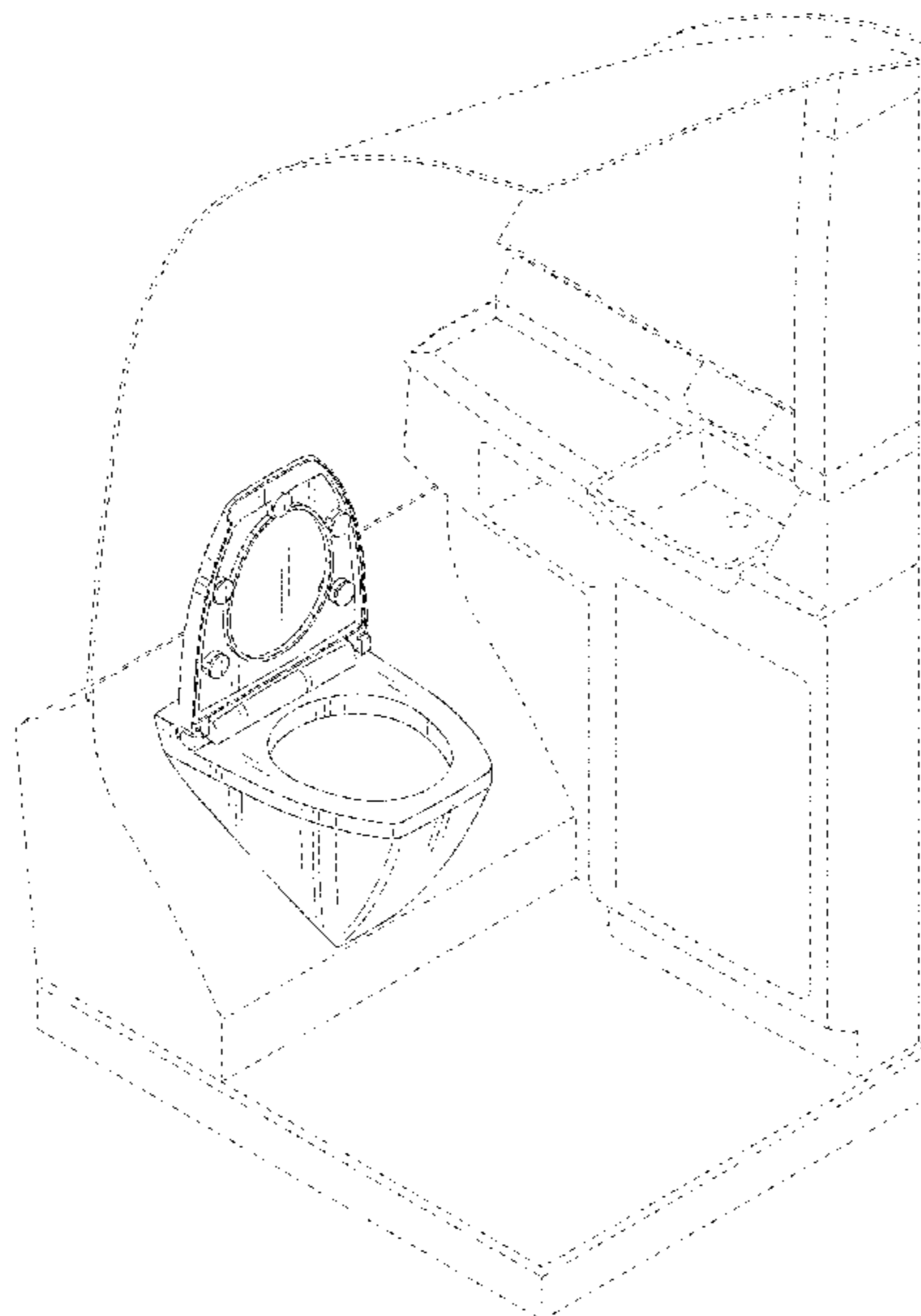


Fig. 1

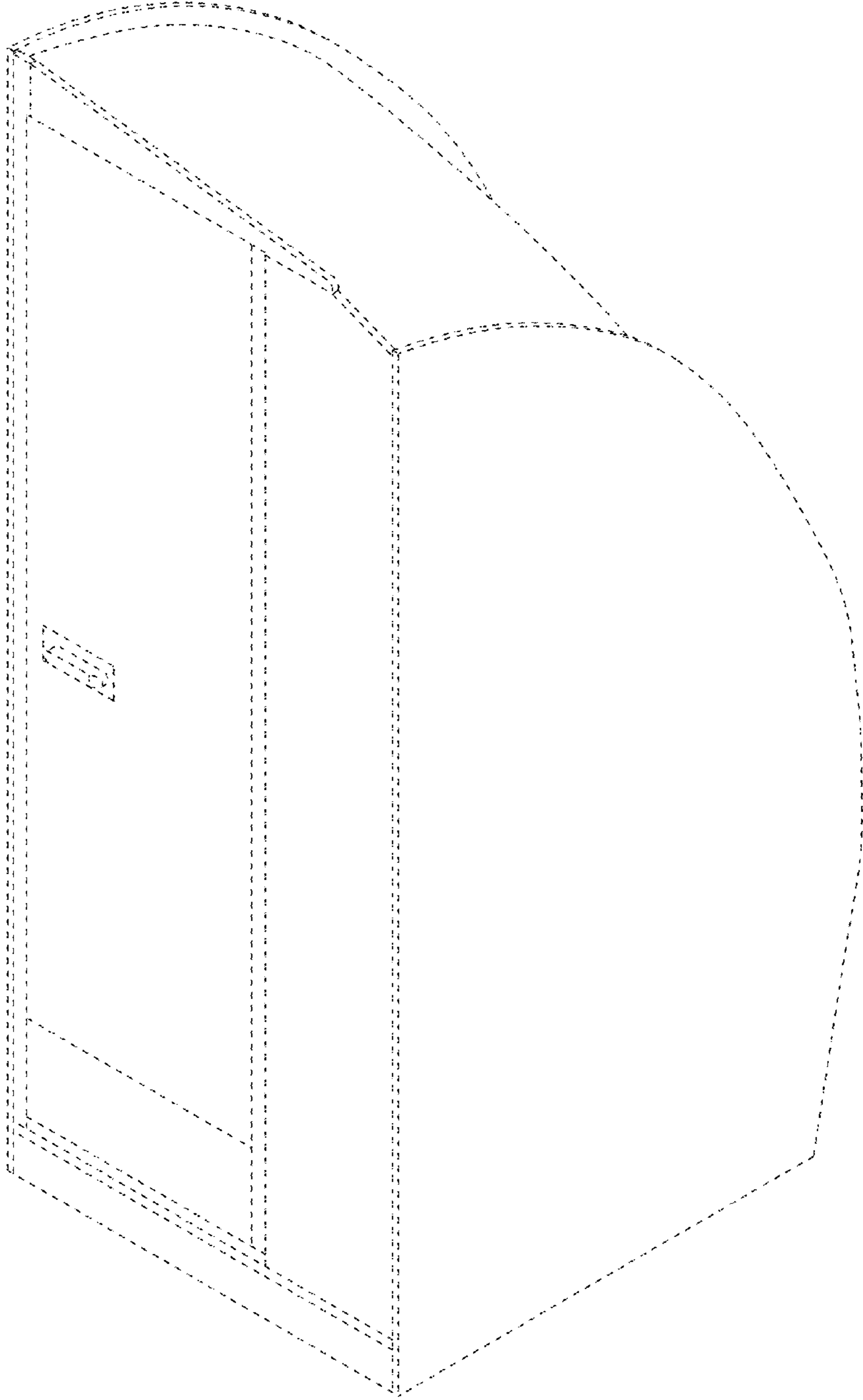


Fig. 2

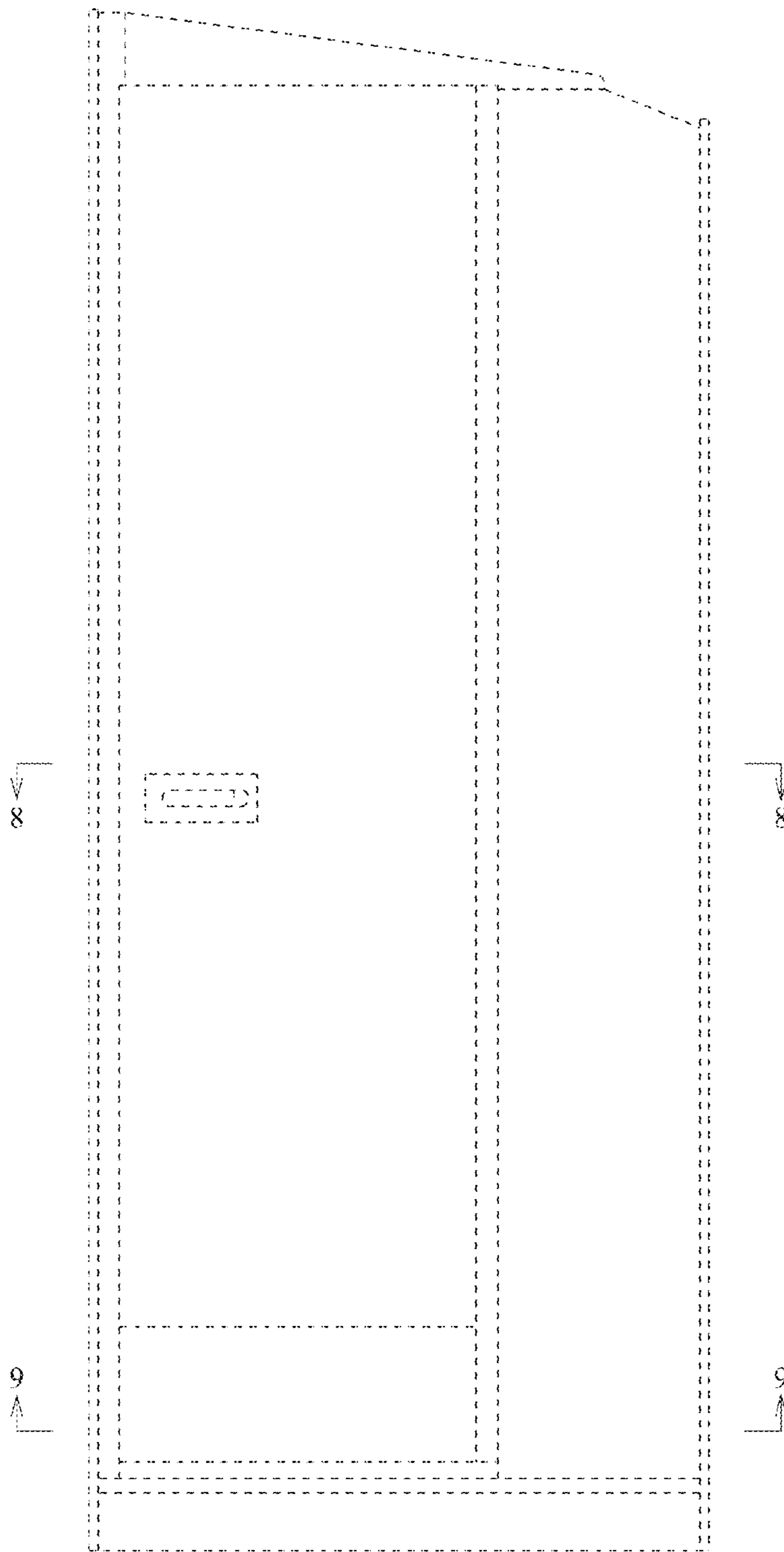


Fig. 3

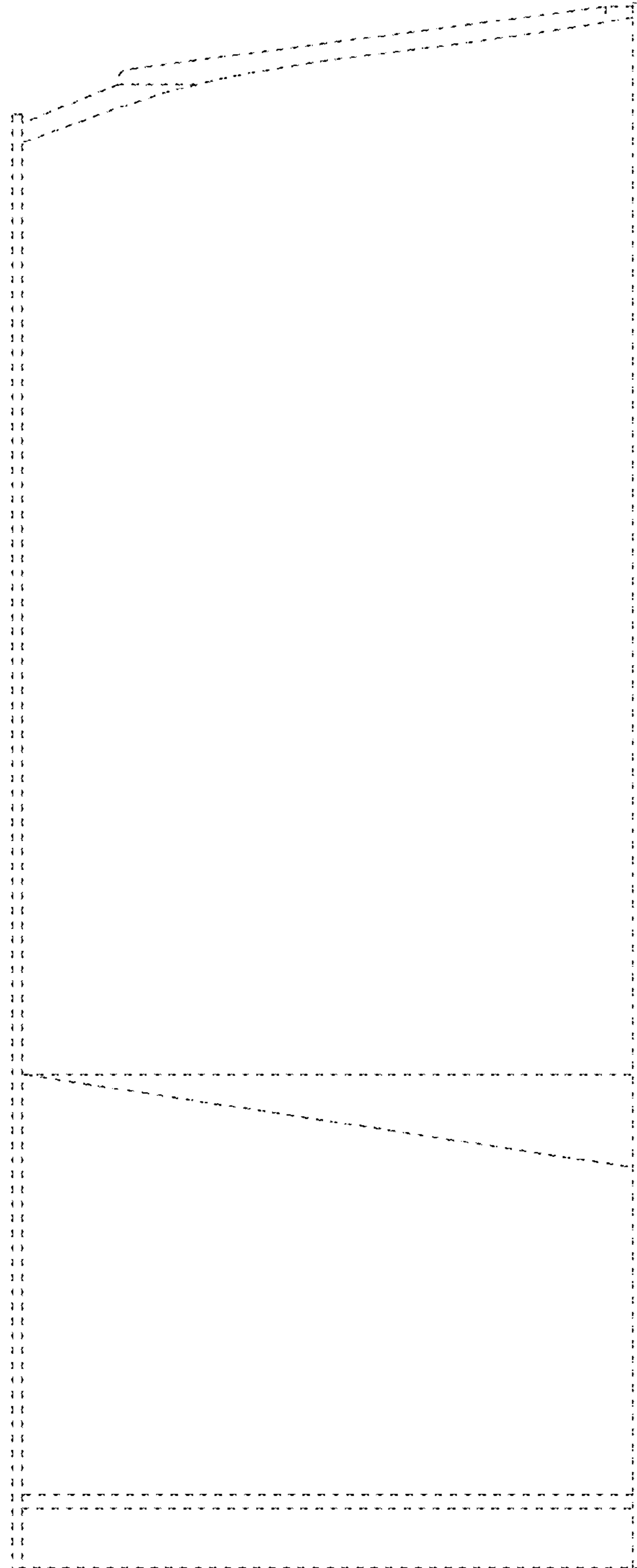


Fig. 4

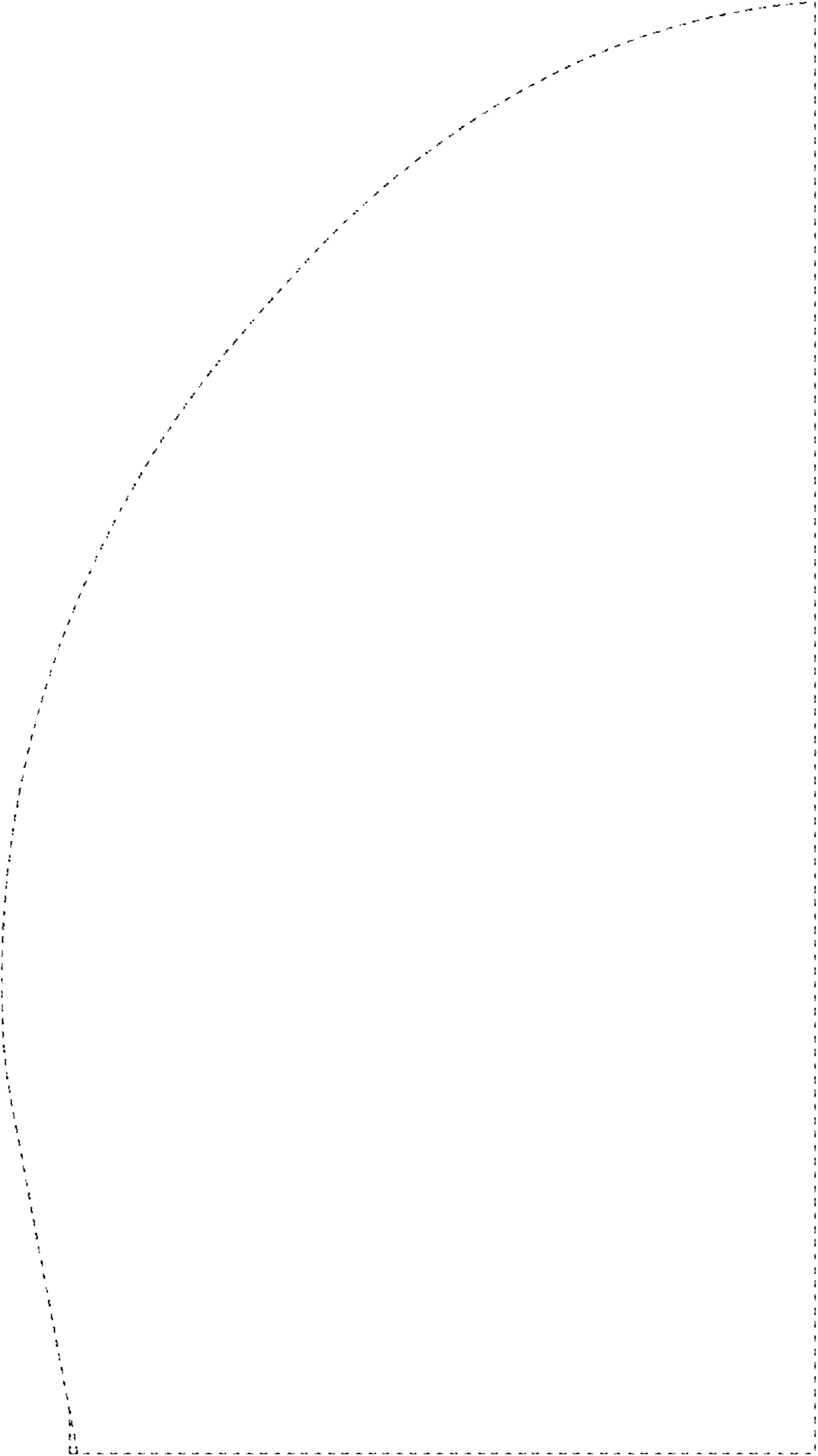


Fig. 5

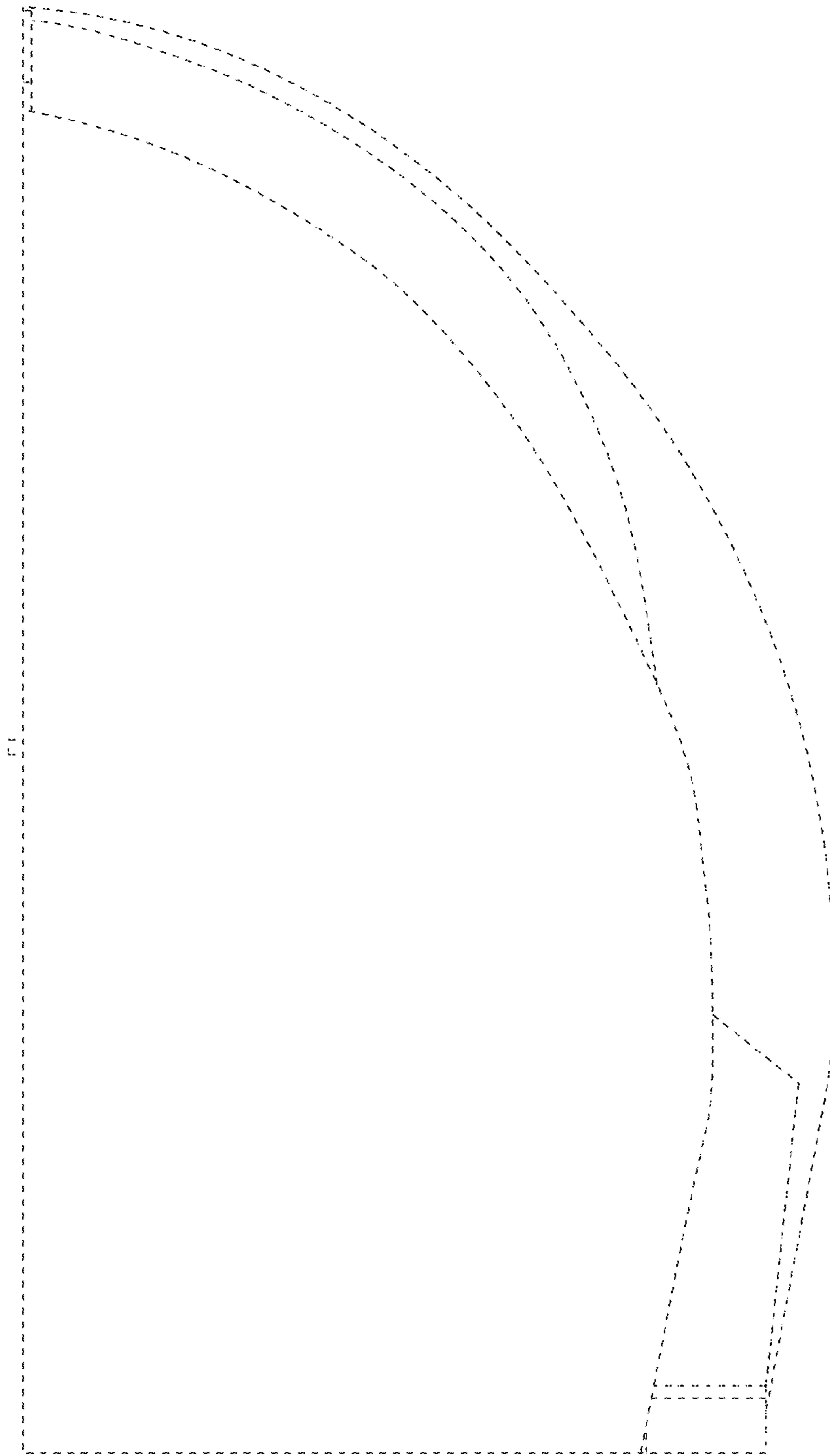


Fig. 6

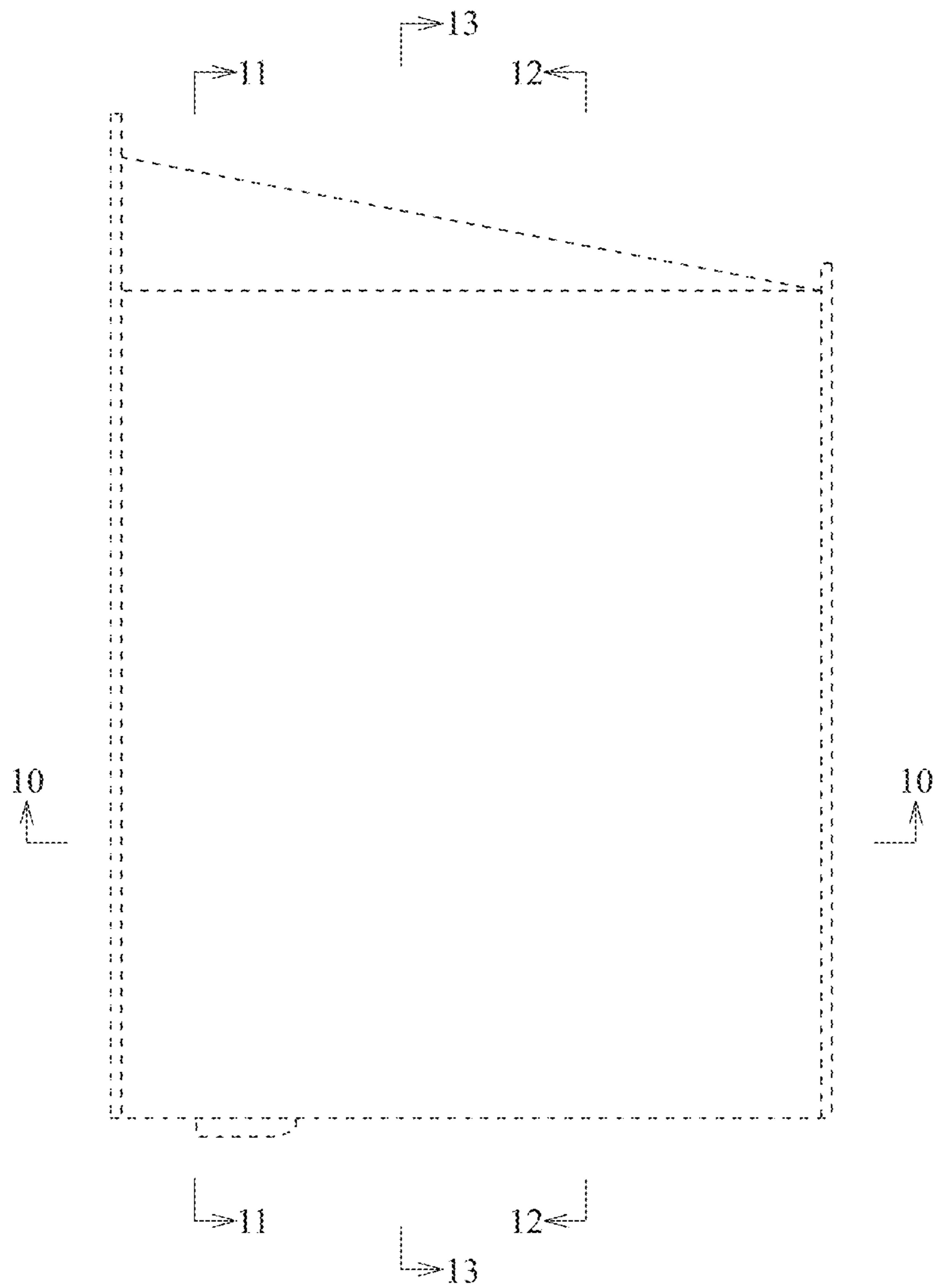


Fig. 7

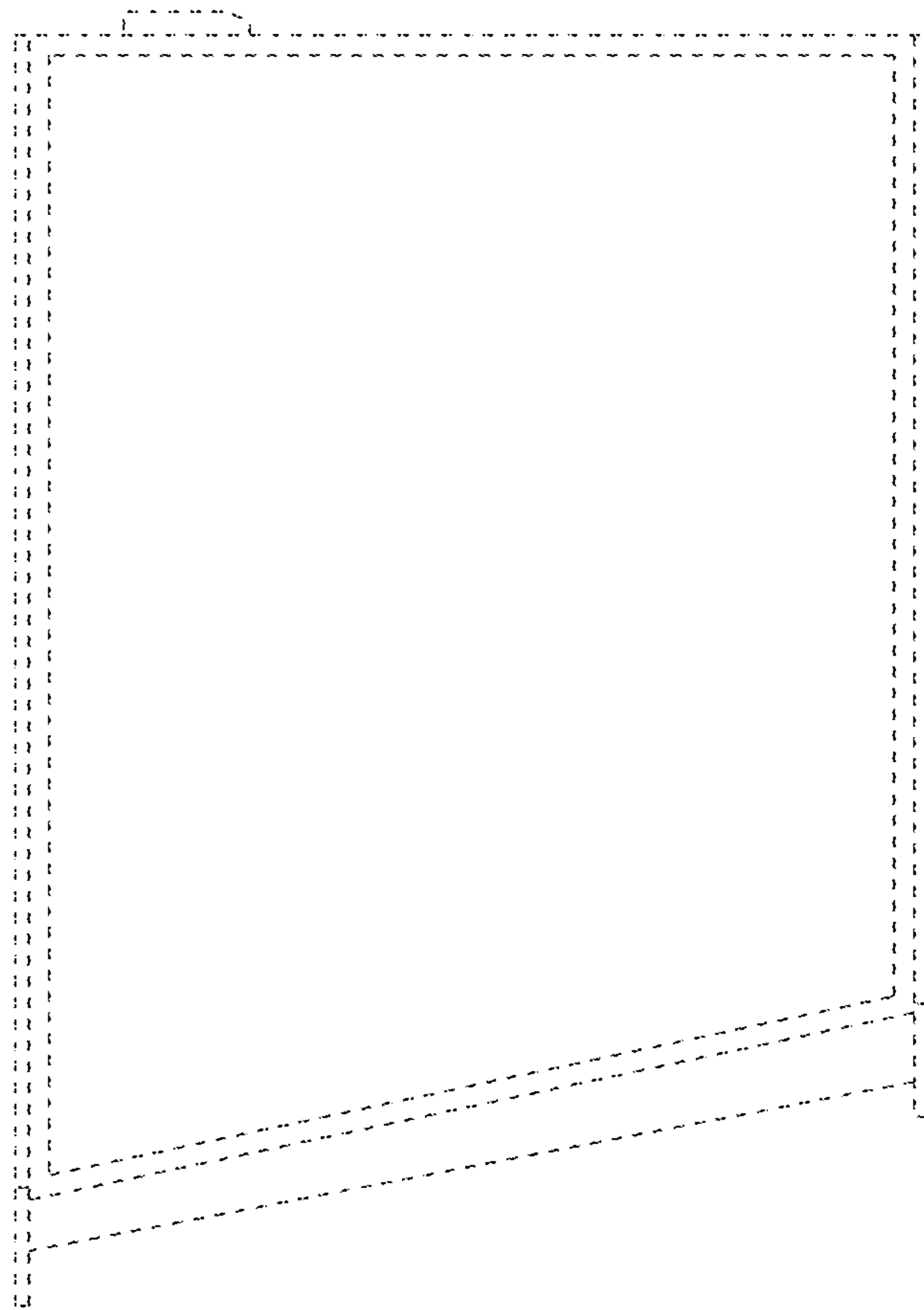


Fig. 8

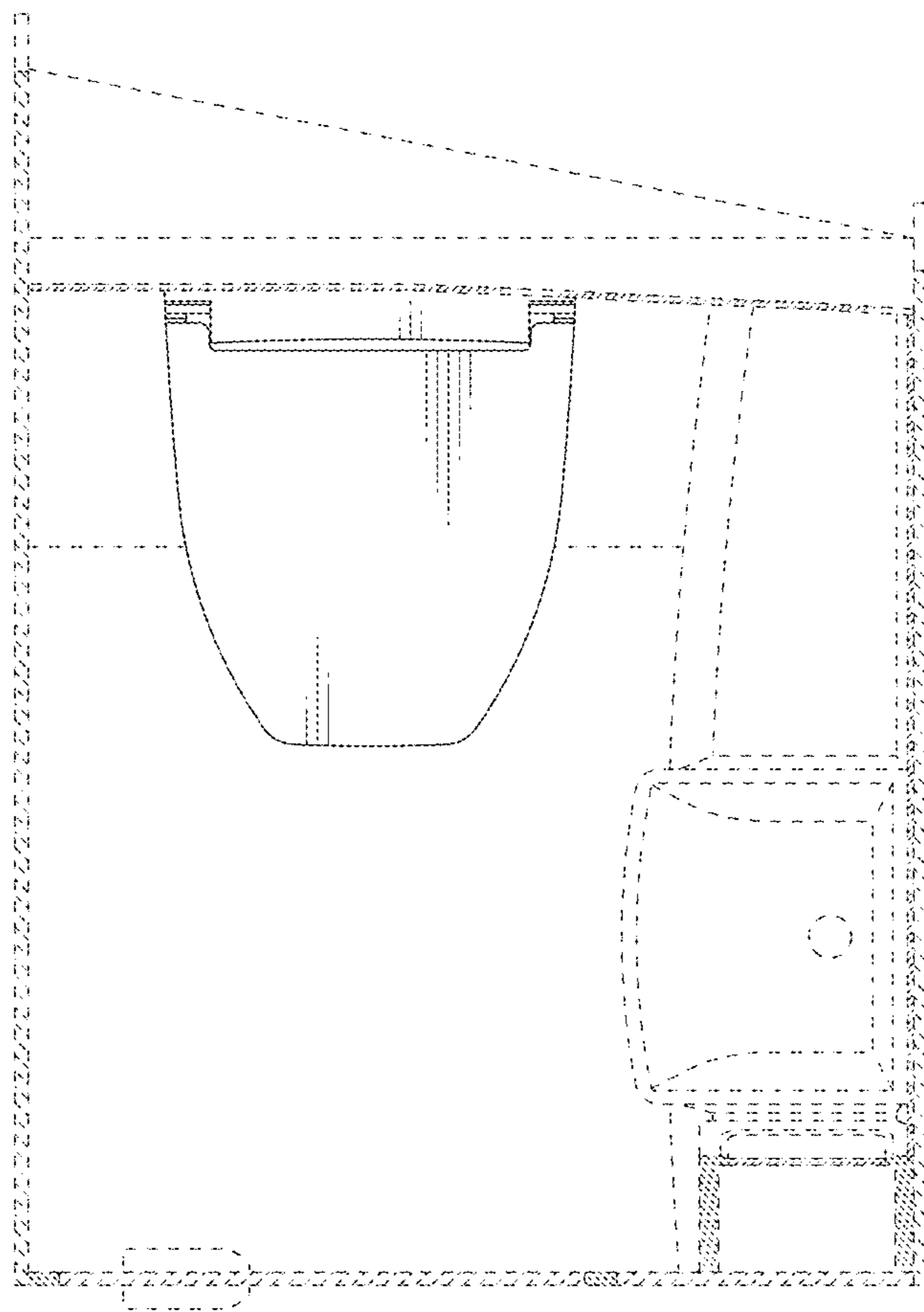


Fig. 9

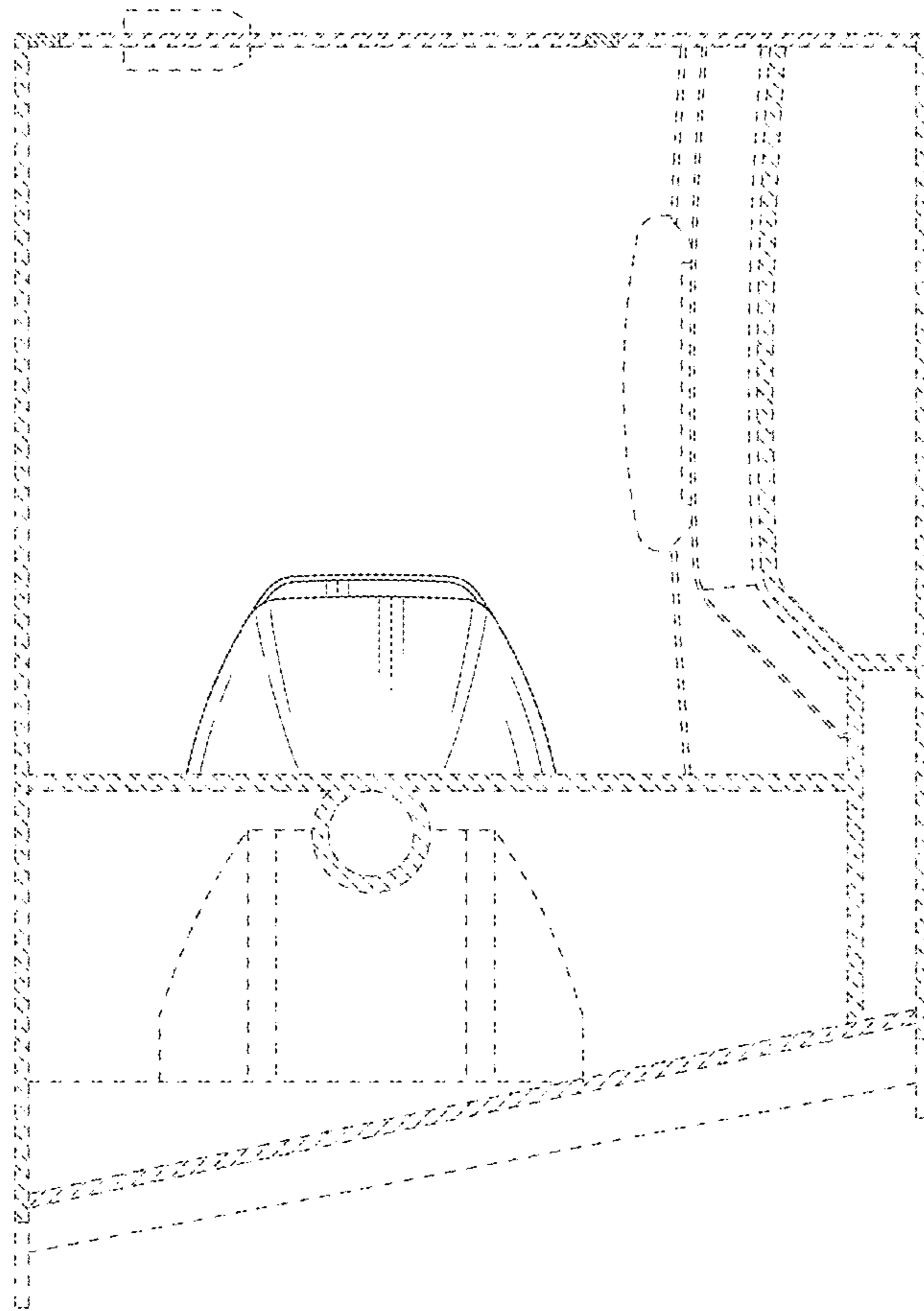


Fig. 10

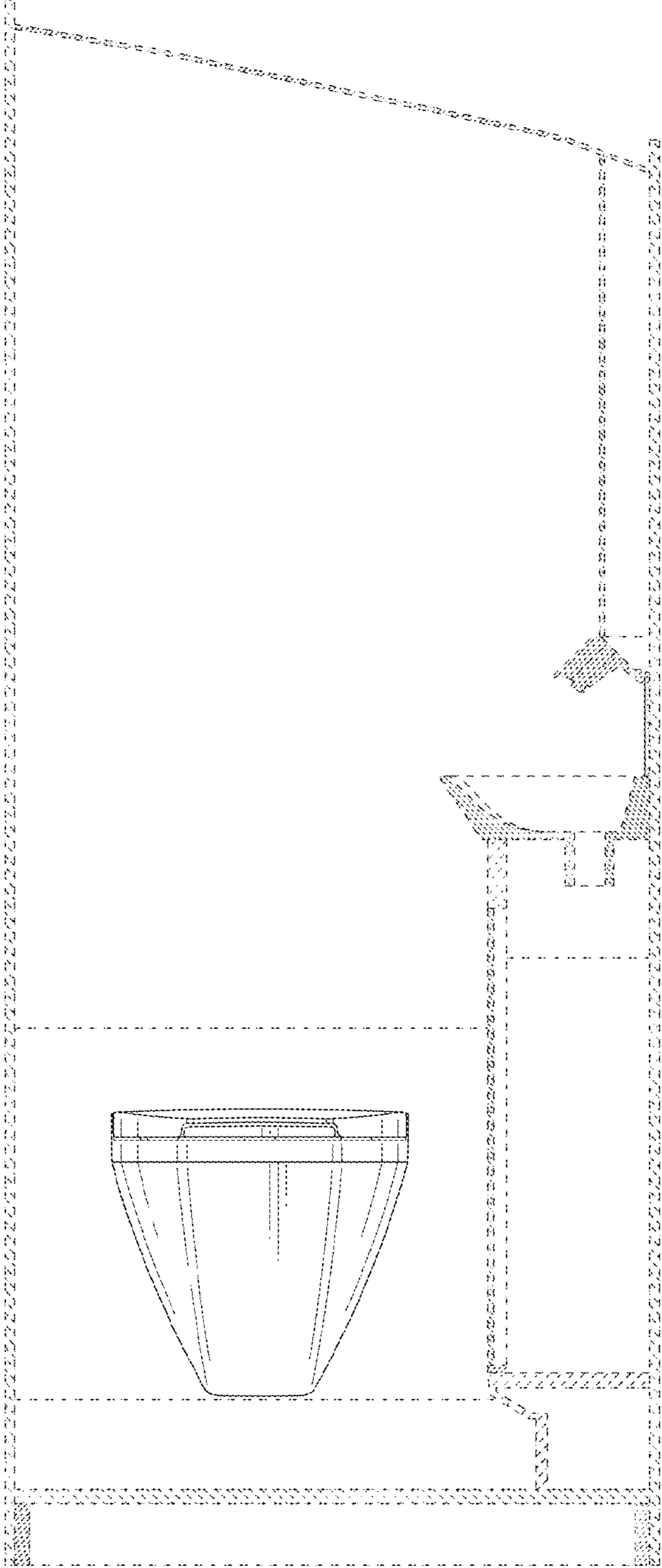


Fig. 11

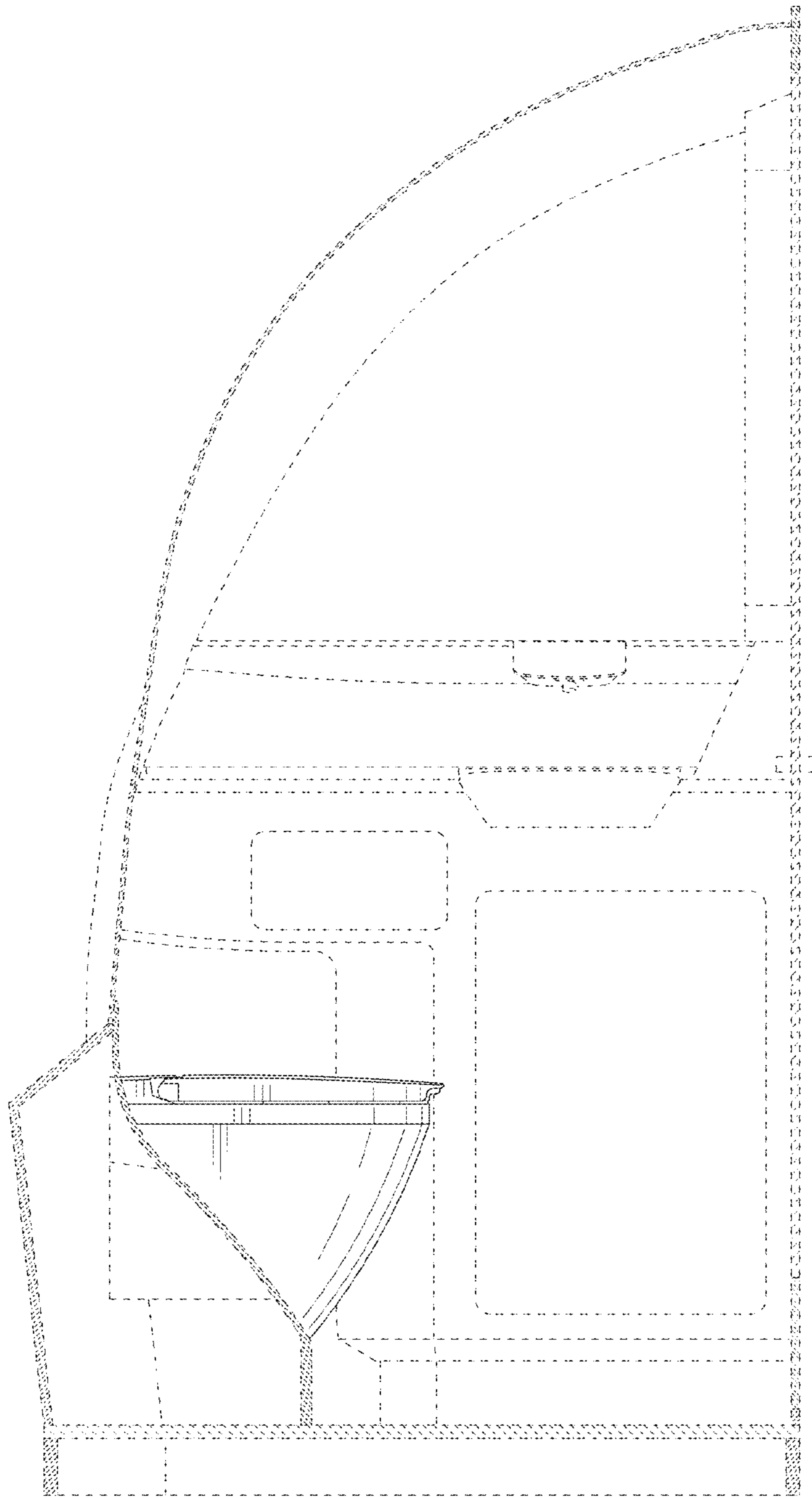


Fig. 12

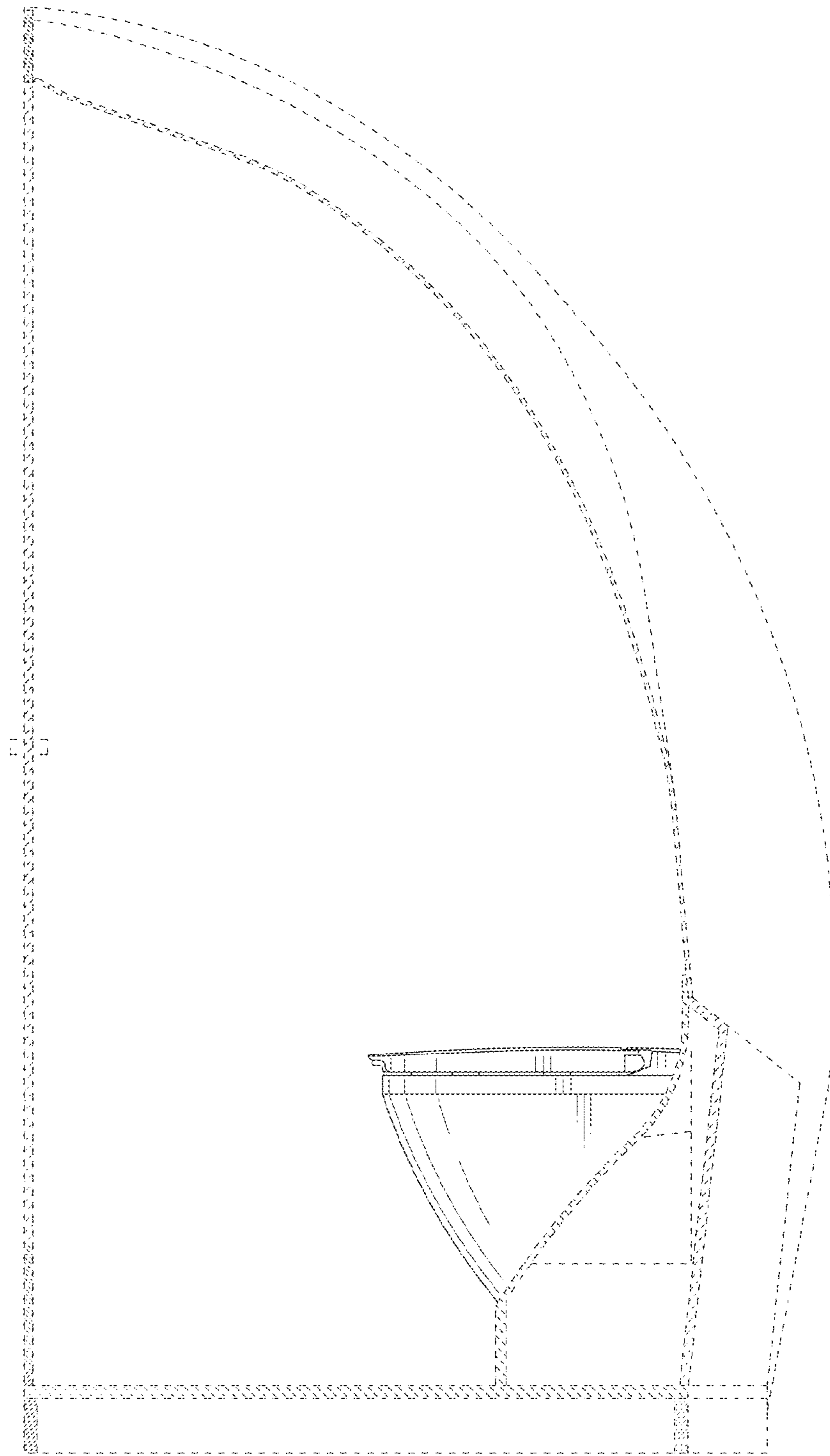


Fig. 13

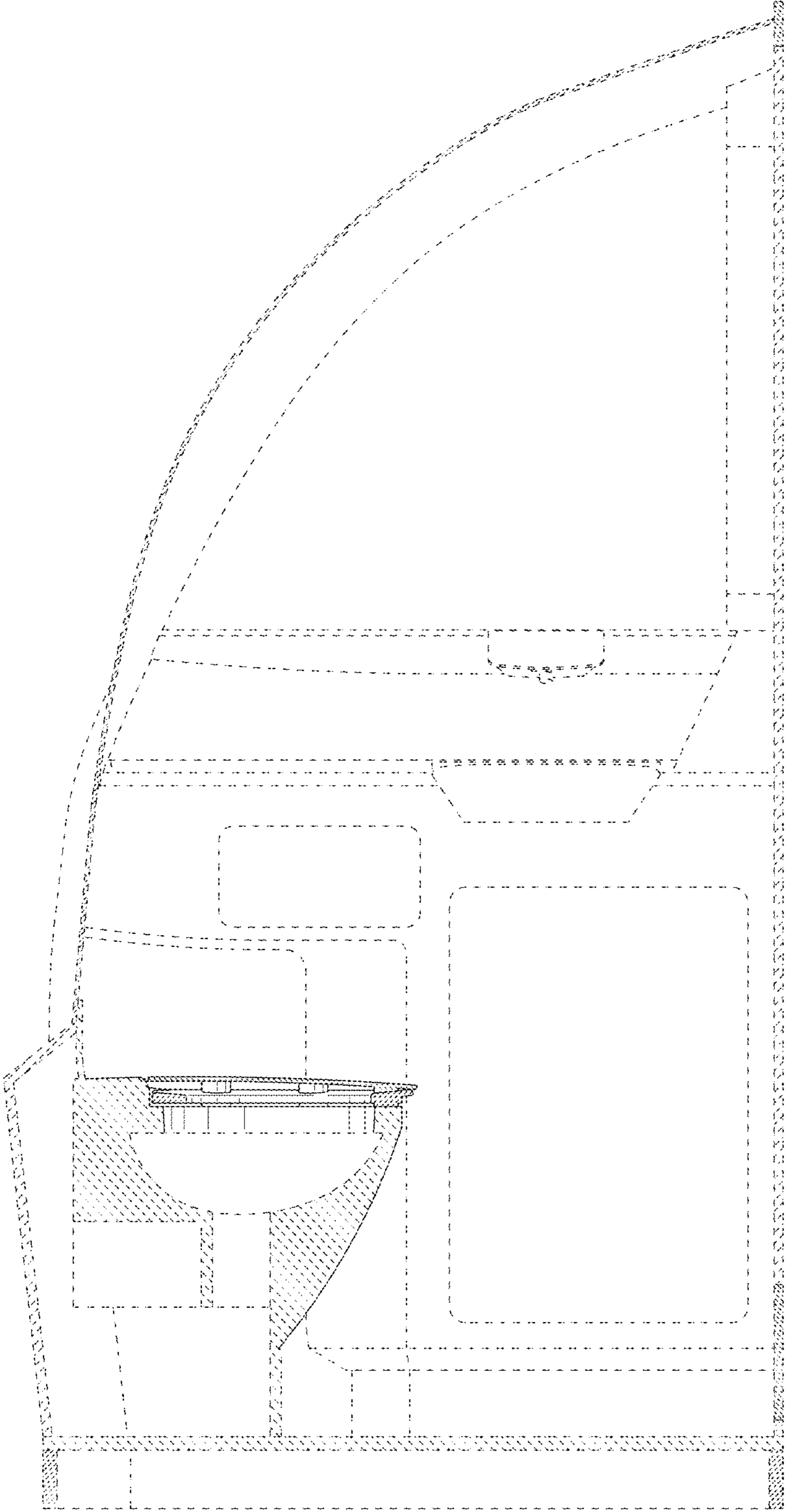


Fig. 14

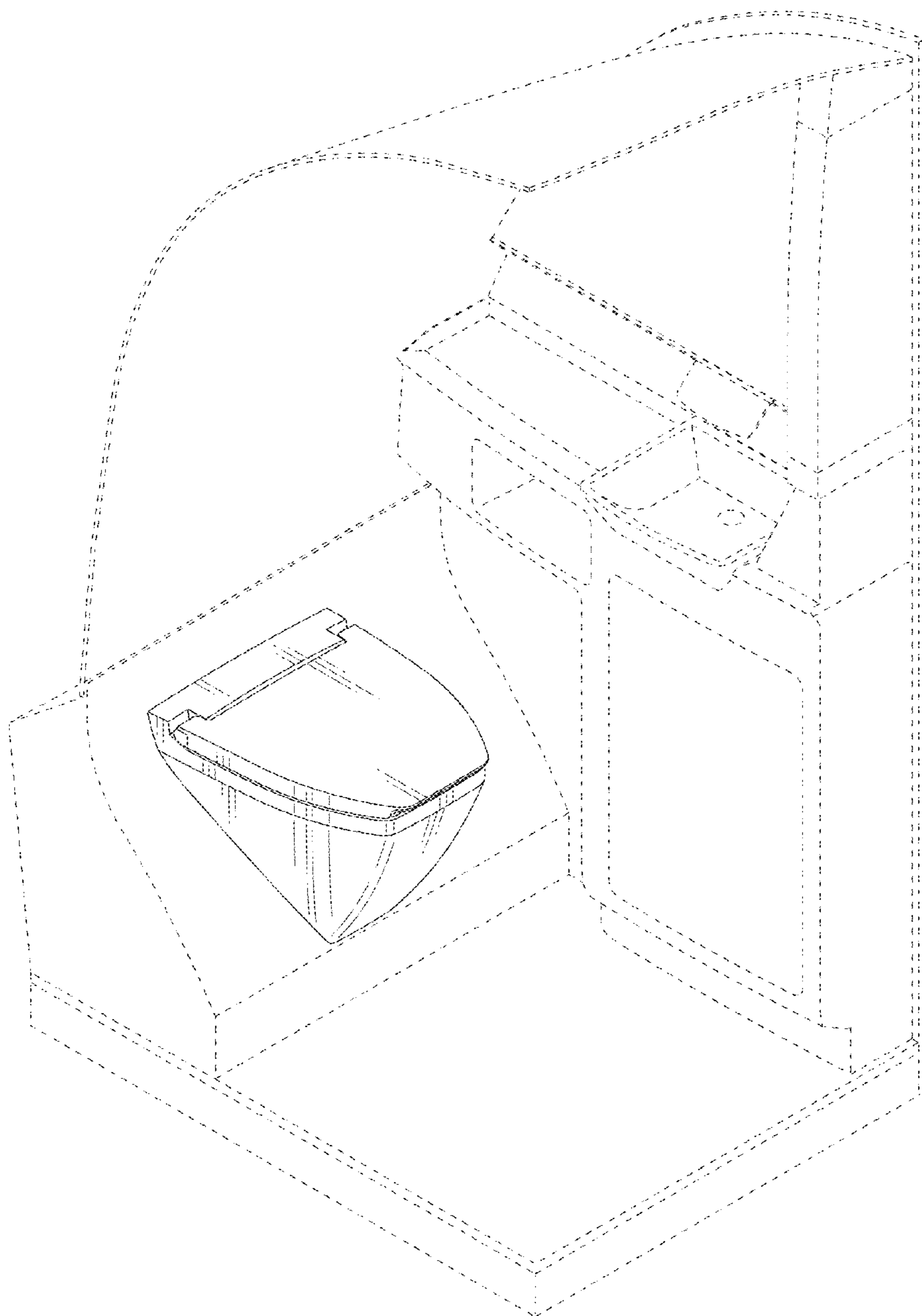


Fig. 15

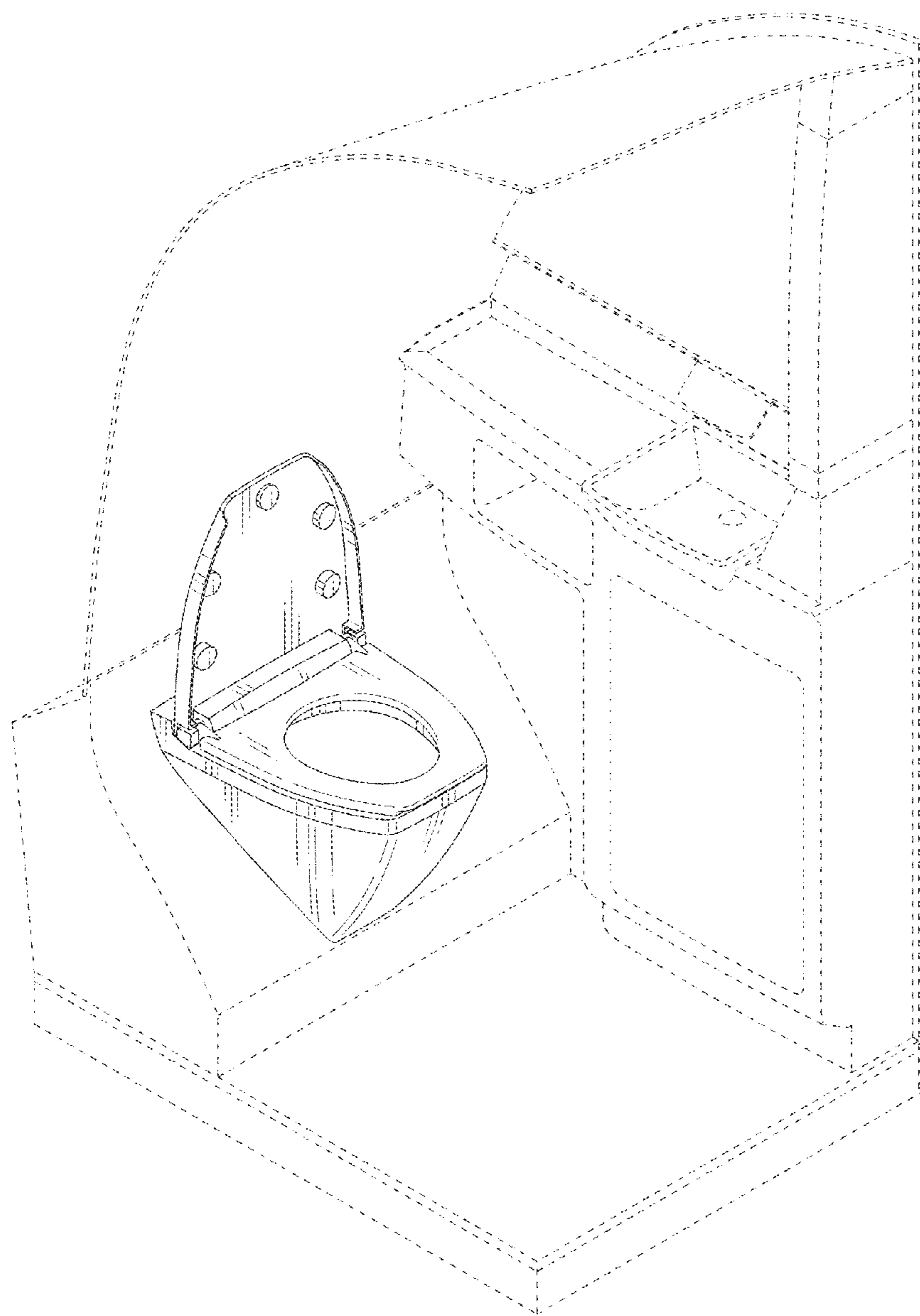


Fig. 16

