



US00D733847S

(12) **United States Design Patent**
Brown et al.

(10) **Patent No.:** **US D733,847 S**
(45) **Date of Patent:** **** Jul. 7, 2015**

- (54) **CONVERSION FITTING**
- (71) Applicant: **Aquamira Technologies, Inc.**,
Bellingham, WA (US)
- (72) Inventors: **Dennis Browning Brown**, Logan, UT
(US); **Richard Oman Evans**, Hyrum,
UT (US)
- (73) Assignee: **Aquamira Technologies, Inc.**,
Bellingham, WA (US)
- (**) Term: **14 Years**
- (21) Appl. No.: **29/489,976**
- (22) Filed: **May 5, 2014**
- (51) **LOC (10) Cl.** **23-01**
- (52) **U.S. Cl.**
USPC **D23/262**
- (58) **Field of Classification Search**
USPC D23/259–266; D8/297–399; D9/434,
D9/447; D10/46, 78, 80; D24/129, 156,
D24/165, 109; 210/138–140, 244–246;
138/89, 91, 92, 96 R, 96 T
See application file for complete search history.

D585,530 S *	1/2009	Ito	D23/259
D594,937 S *	6/2009	Price et al.	D23/259
D596,272 S *	7/2009	Price et al.	D23/259
D627,038 S *	11/2010	Yu	D23/260
D635,224 S *	3/2011	Rigolio	D23/262
D638,103 S *	5/2011	Röll	D23/260
D638,104 S *	5/2011	Govoni et al.	D23/262
D673,244 S *	12/2012	Magargal et al.	D23/260
D710,485 S *	8/2014	Nudo	D23/262

OTHER PUBLICATIONS

H-D Fuel Injection to Carburetor Conversion Gas Tank Fitting Kits, hotbikeweb.com, Searched Dec. 4, 2014, <http://www.hotbikeweb.com/motorcycle-products/h-d-fuel-injection-carburetor-conversion-gas-tank-fitting-kits>.*

(Continued)

Primary Examiner — John Windmuller

Assistant Examiner — Steven Czyz

(74) *Attorney, Agent, or Firm* — CR Miles P.C.; Craig R. Miles

(57) **CLAIM**

We claim the ornamental design for a conversion fitting, as shown and described.

DESCRIPTION

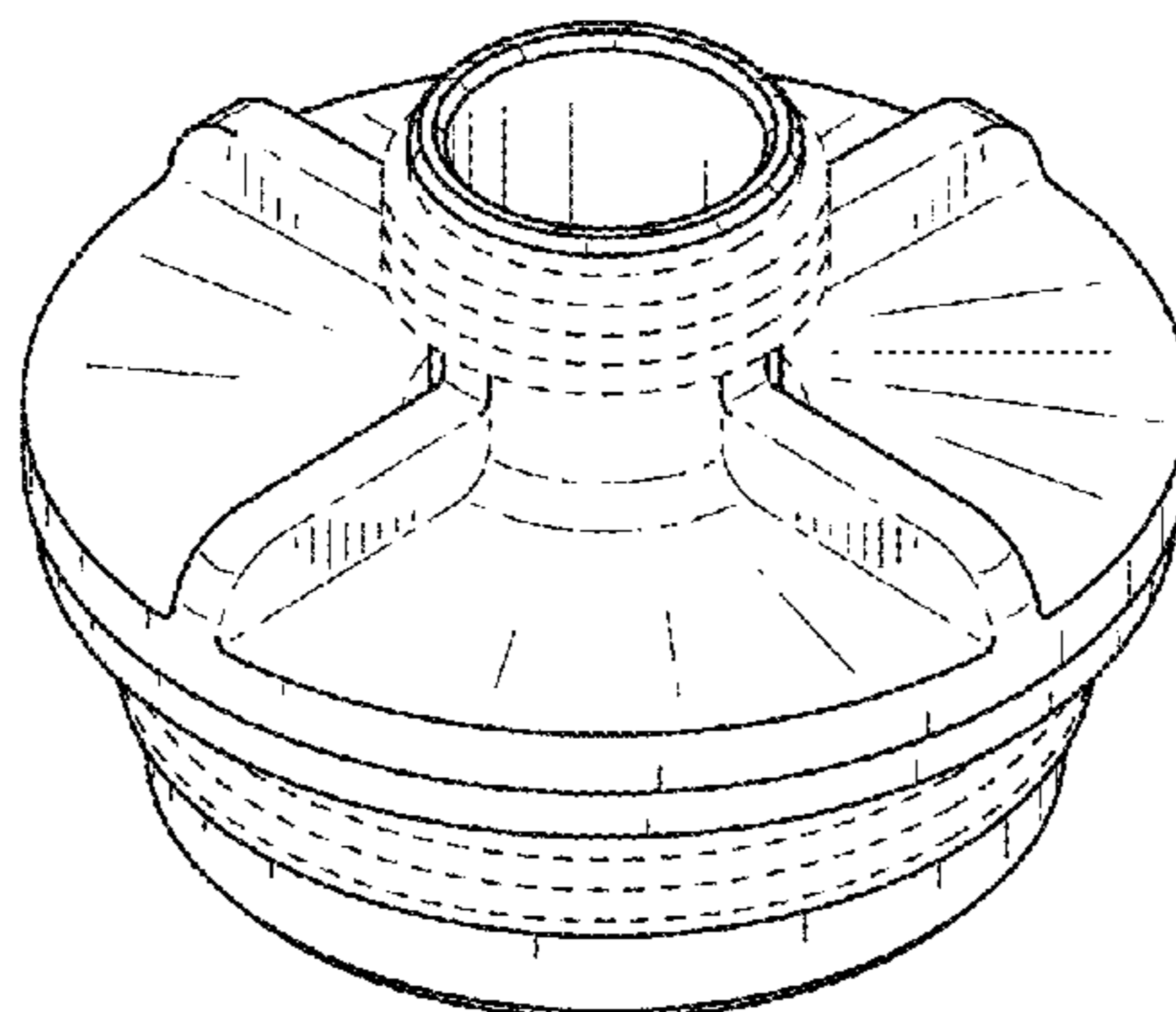
FIG. 1 is a top and side perspective of a conversion fitting embodying our new design;
 FIG. 2 is a bottom and side perspective view thereof;
 FIG. 3 is a front elevation view thereof;
 FIG. 4 is a rear elevation view thereof;
 FIG. 5 is a left side elevation view thereof;
 FIG. 6 is a right side elevation view thereof;
 FIG. 7 is a top plan view thereof;
 FIG. 8 is a bottom plan view thereof; and,
 FIG. 9 is another front elevation view thereof.
 The broken lines shown are included for the purpose of illustrating the unclaimed portions of the article and form no part of the claim.

1 Claim, 5 Drawing Sheets

(56) **References Cited**

U.S. PATENT DOCUMENTS

D284,265 S *	6/1986	Resan	D8/382
D344,242 S *	2/1994	Weise et al.	D10/80
D350,814 S *	9/1994	Florence	D23/260
D350,816 S *	9/1994	Florence	D23/260
D379,851 S *	6/1997	Mathison	D23/260
D403,752 S *	1/1999	Rademaker	D23/260
D478,653 S *	8/2003	Fratilla	D23/259
D479,585 S *	9/2003	Mulligan et al.	D23/262
D495,403 S *	8/2004	Deeds	D23/260
D543,259 S *	5/2007	Chueh et al.	D23/262
D554,237 S *	10/2007	Lewis et al.	D23/259
D561,305 S *	2/2008	Higgins	D23/269
D576,257 S *	9/2008	Rattenbury	D23/260



(56)

References Cited

OTHER PUBLICATIONS

Nutristore™ 5-Gallon Emergency Water Storage Container with Aquamira® Filtration Kit, Emergency Kits and Supplies, costco.com, Searched Dec. 4, 2014, <http://www.costco.com/>

Nutristore™ 5-Gallon-Emergency-Water-Storage-Container-with-Aquamira®-Filtration-Kit.product.100106931.html.*

* cited by examiner

FIG. 1

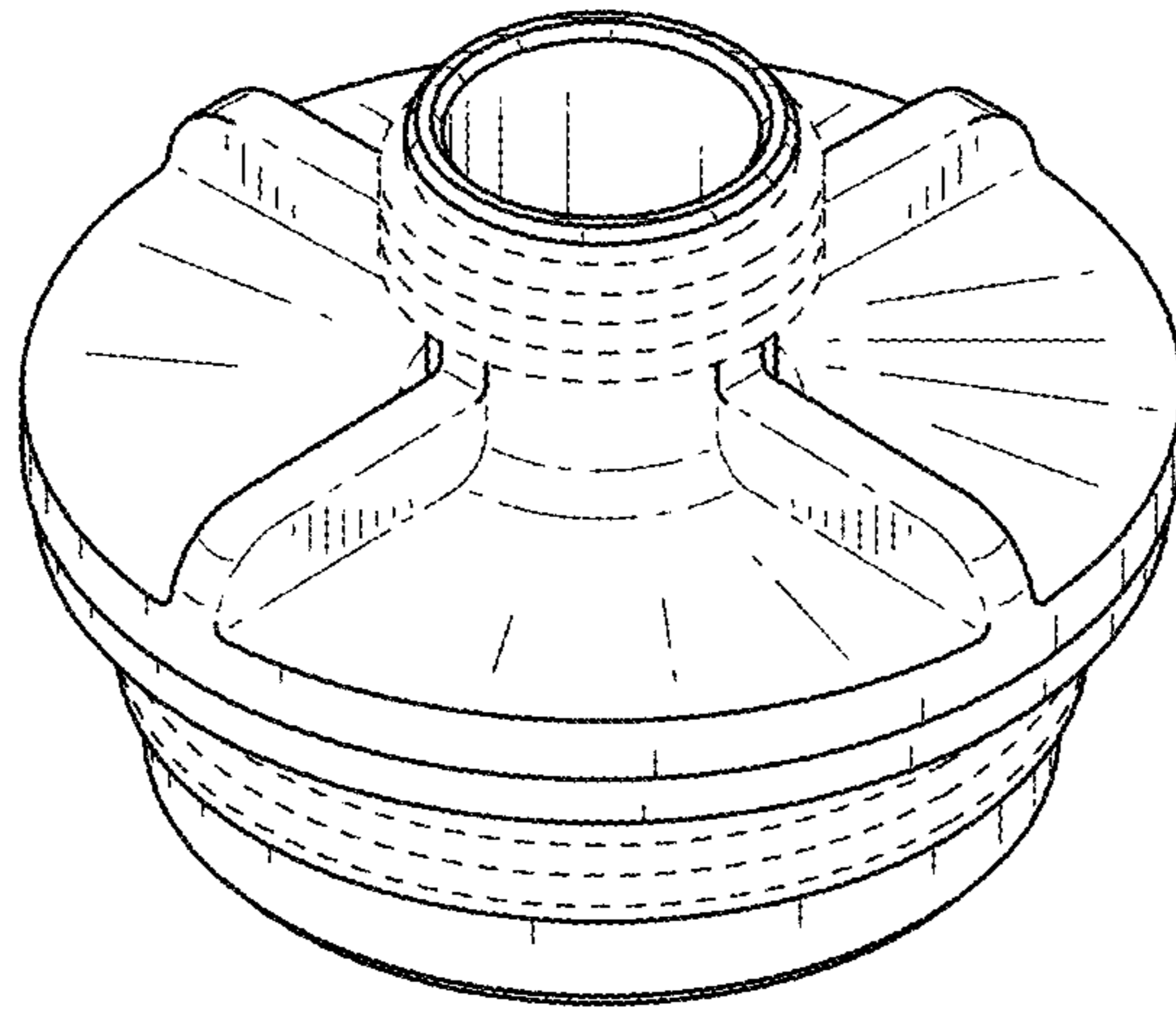


FIG. 2

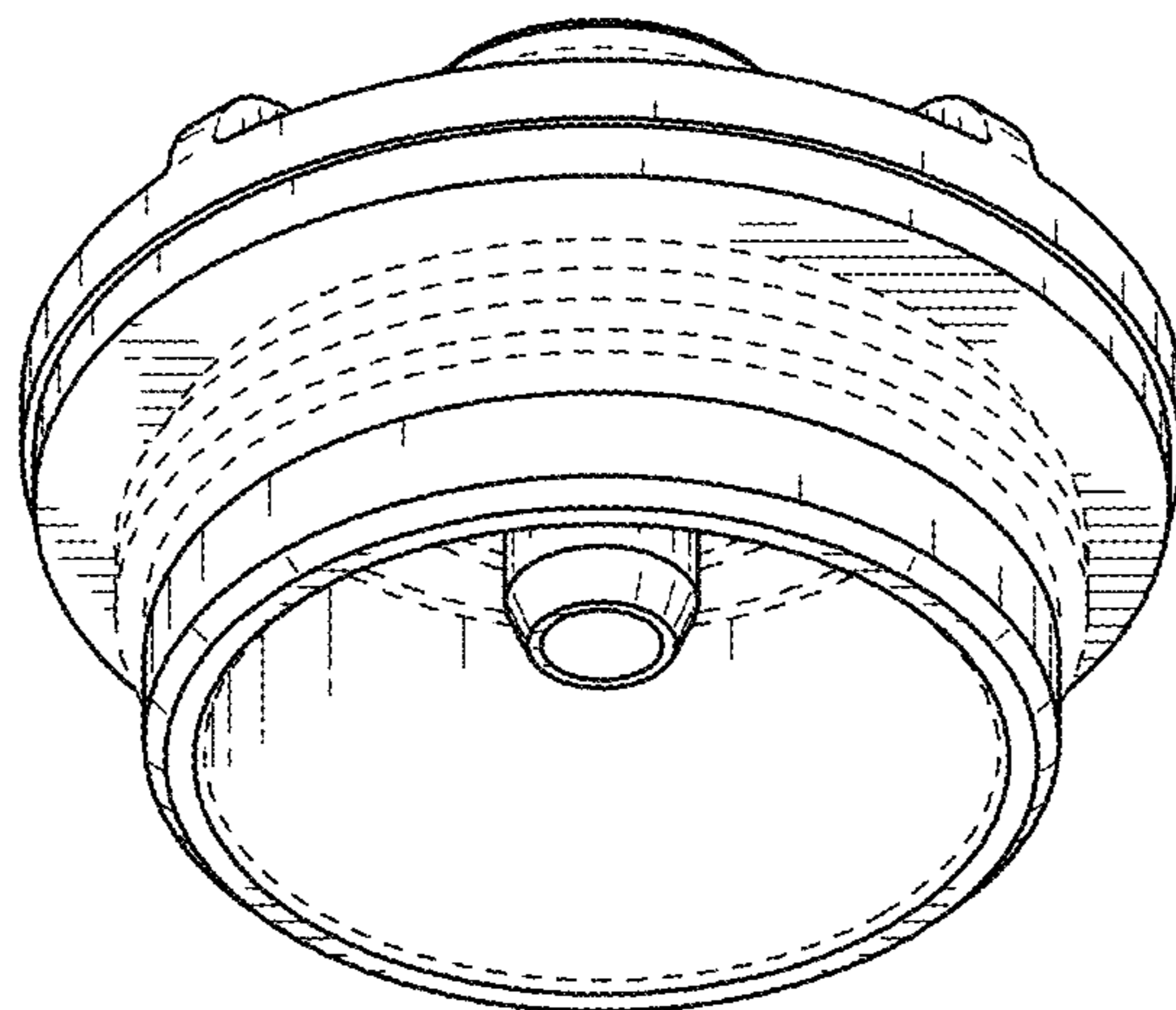


FIG. 3

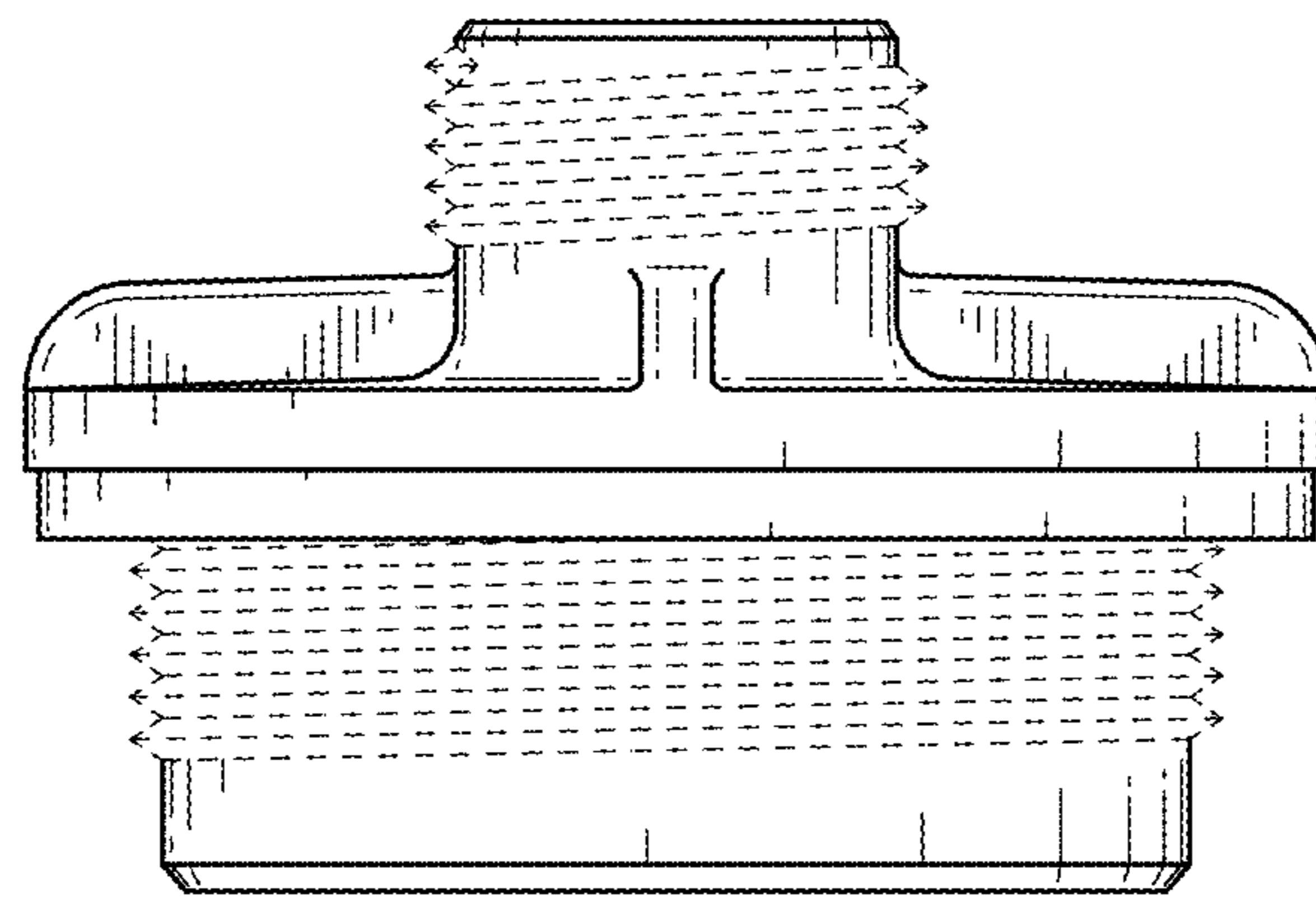


FIG. 4

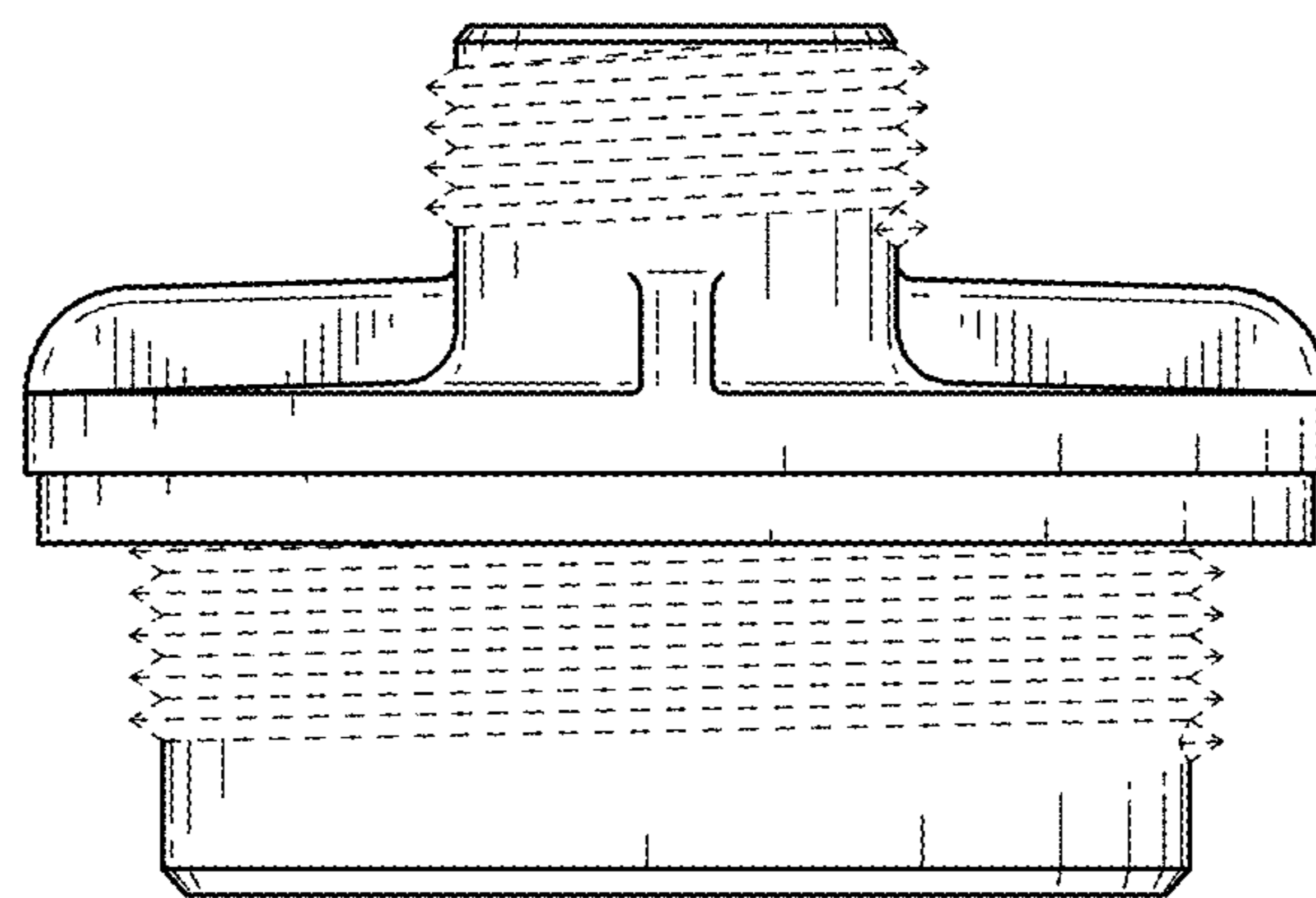


FIG. 5

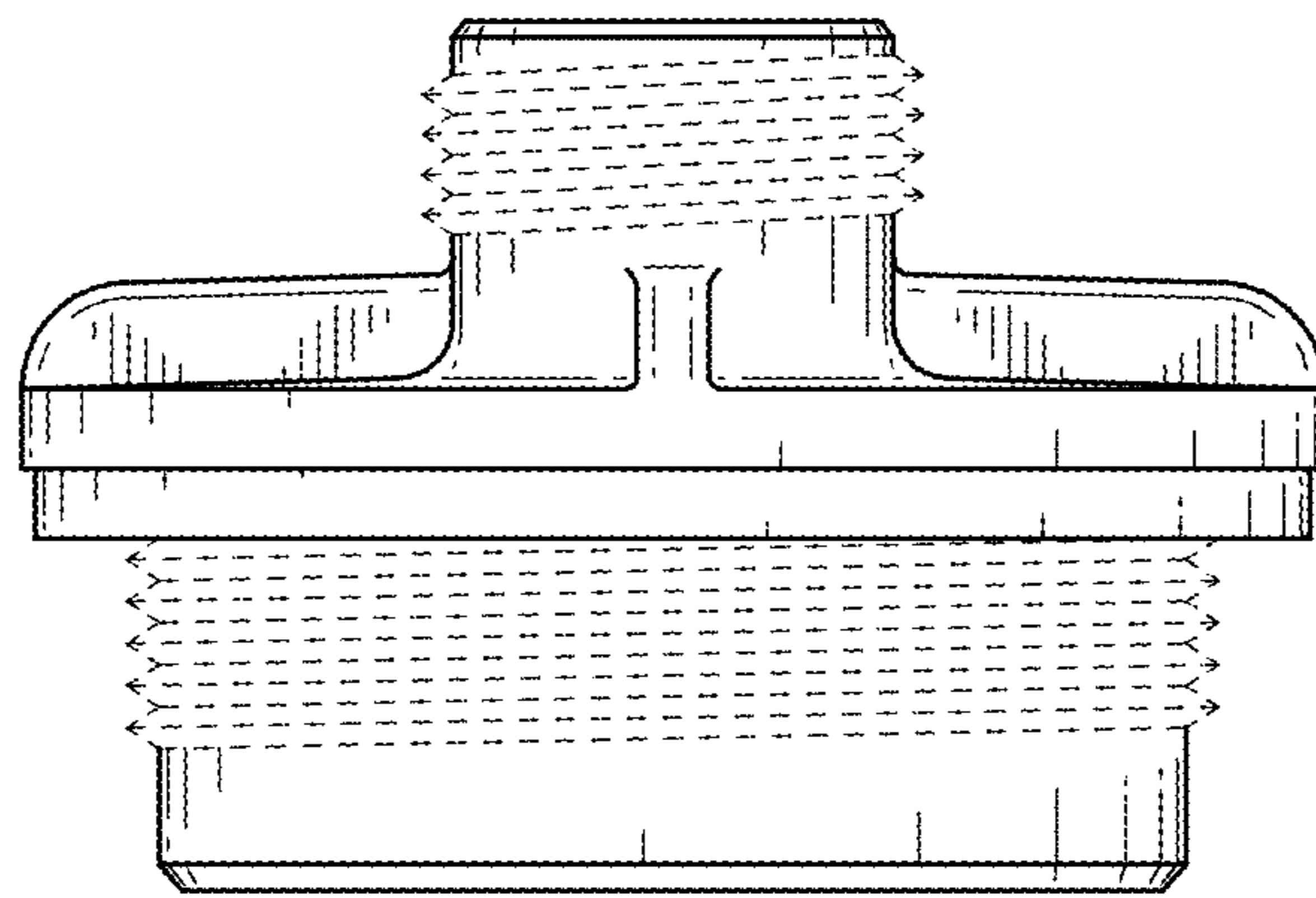


FIG. 6

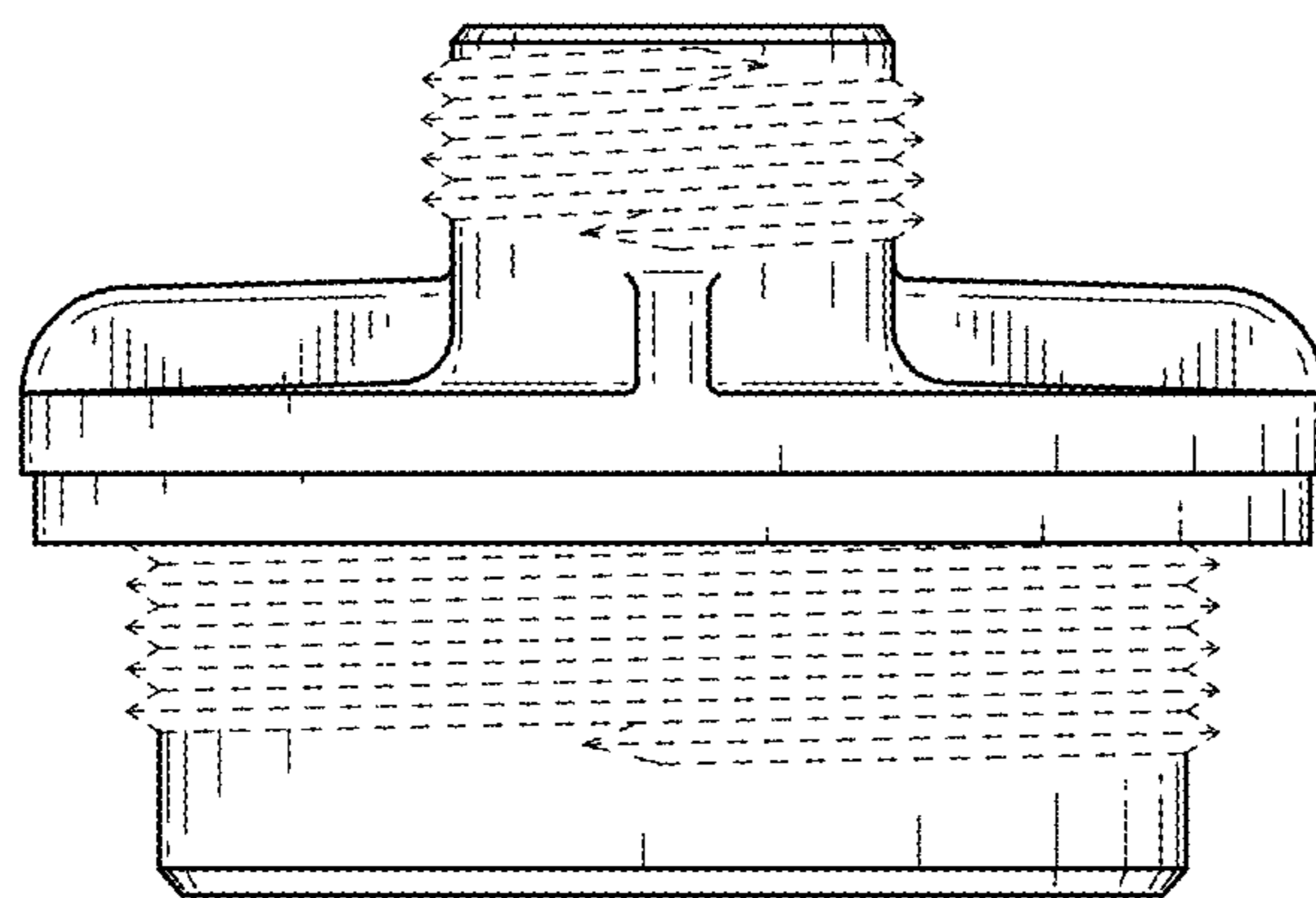


FIG. 7

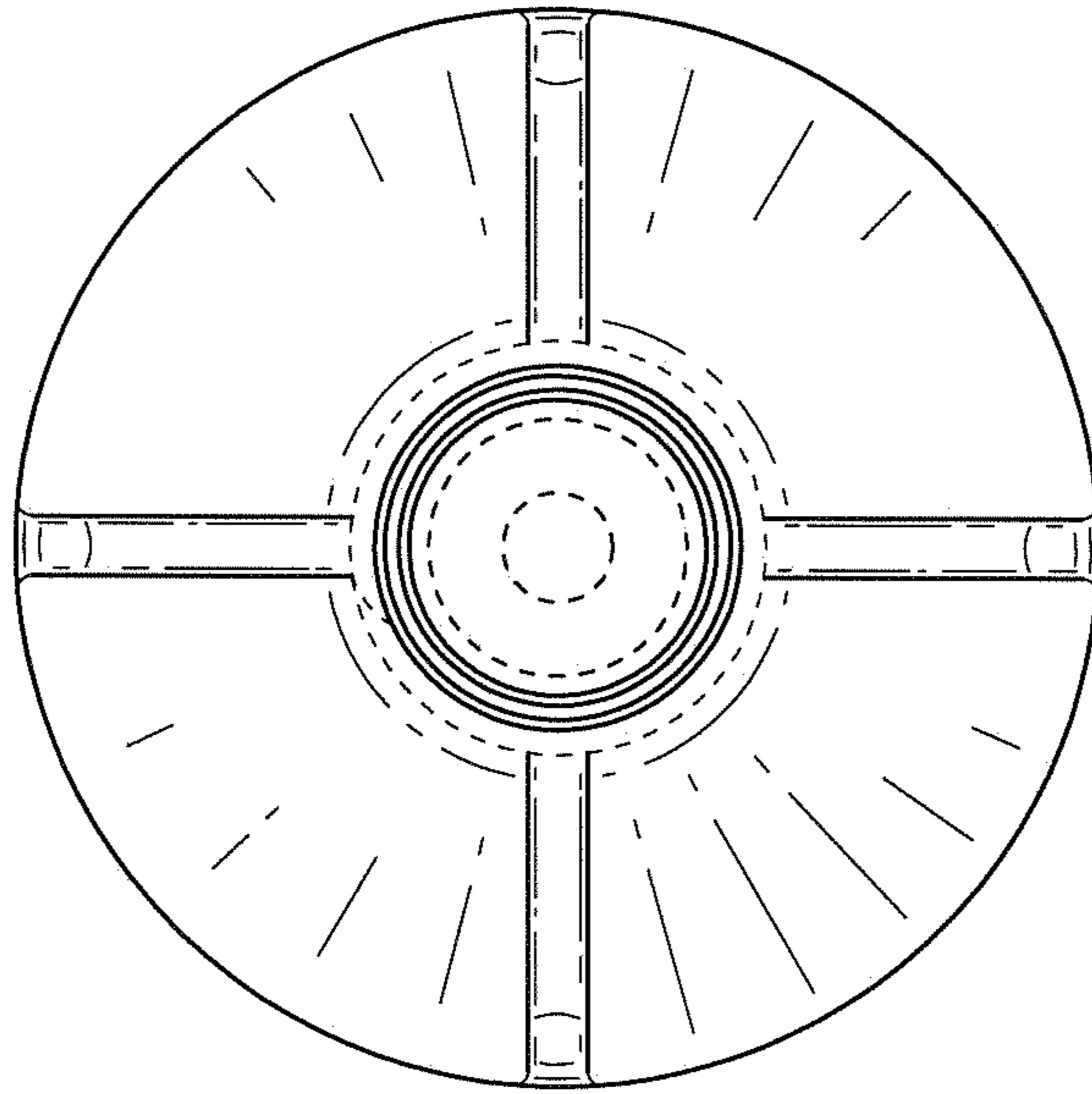


FIG. 8

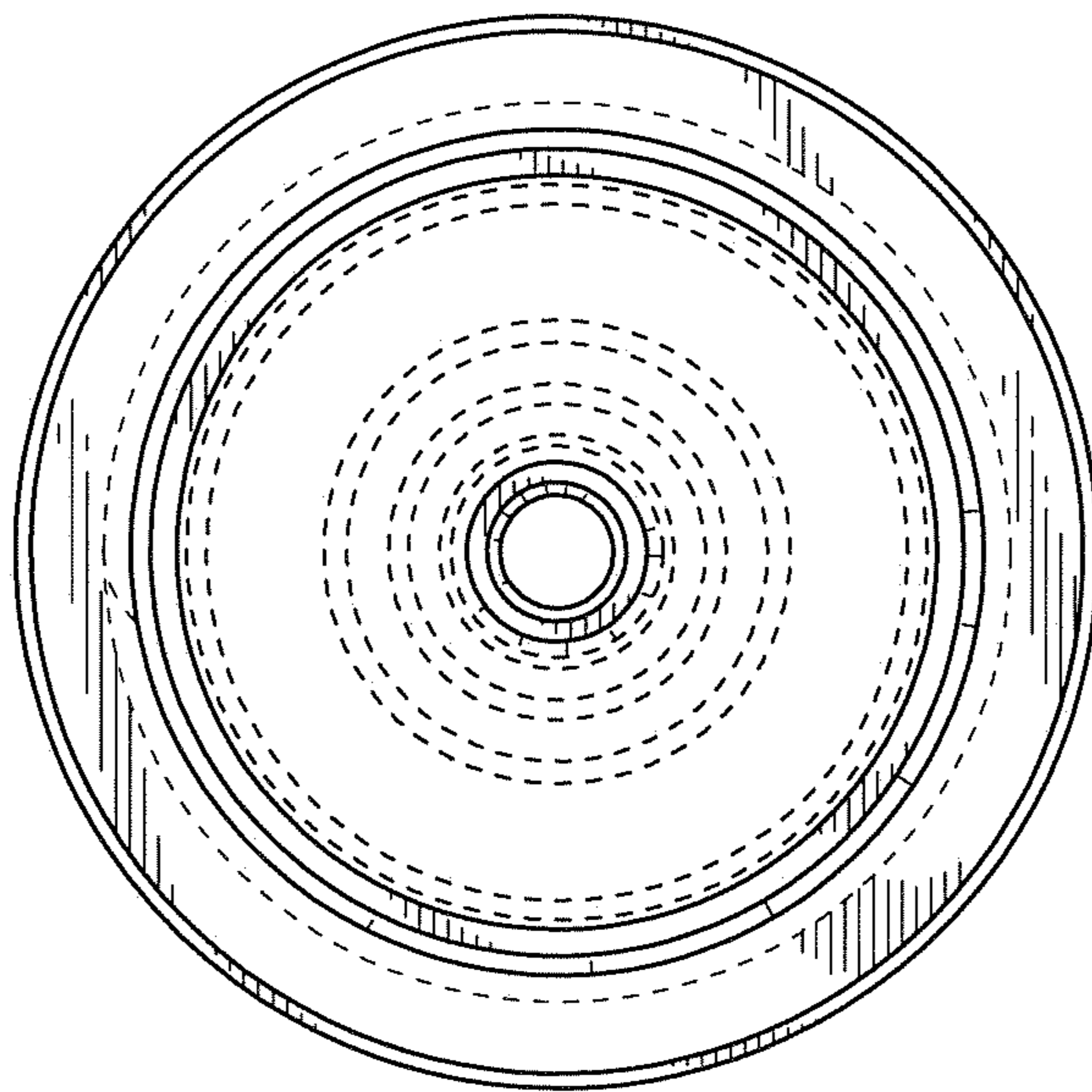


FIG. 9

