



US00D733846S

(12) **United States Design Patent**  
**Guest**

(10) **Patent No.:** **US D733,846 S**  
(45) **Date of Patent:** **\*\* Jul. 7, 2015**

(54) **FLUID CONNECTOR**

(71) Applicant: **John Guest International Limited**,  
West Drayton, Middlesex (GB)

(72) Inventor: **Timothy Steven Guest**, Bray (GB)

(73) Assignee: **John Guest International Limited**,  
West Drayton (GB)

(\*\*) Term: **14 Years**

(21) Appl. No.: **29/487,744**

(22) Filed: **Apr. 11, 2014**

**Related U.S. Application Data**

(62) Division of application No. 29/423,375, filed on May 31, 2012, now Pat. No. Des. 712,014.

(30) **Foreign Application Priority Data**

Dec. 9, 2011 (EM) ..... 1306039-0001/0004

(51) **LOC (10) Cl.** ..... **23-01**

(52) **U.S. Cl.**  
USPC ..... **D23/262**

(58) **Field of Classification Search**

USPC ..... D23/259-269; D24/129; 138/103, 105,  
138/109, 118, 118.1, 121, 122, 126, 128,  
138/140, 154, 155, 157, 158, 167, 177;  
285/58, 85-93, 124.1, 179-183;  
D13/155; D8/382; 403/31, 53, 54  
See application file for complete search history.

(56) **References Cited**

**U.S. PATENT DOCUMENTS**

3,991,822 A 11/1976 Morris  
D245,921 S 9/1977 Beran  
D325,775 S 4/1992 Hayes  
D325,961 S 5/1992 Hayes

D354,801 S 1/1995 Grant et al.  
D356,147 S 3/1995 Clivio  
D362,900 S 10/1995 Miska  
5,518,276 A 5/1996 Gunderson  
D379,851 S 6/1997 Mathison  
D387,146 S 12/1997 Morrison  
D392,372 S \* 3/1998 Saito et al. .... D23/264  
D403,056 S 12/1998 Clivio  
6,257,626 B1 7/2001 Campau  
D453,815 S 2/2002 Hoenig  
D455,819 S 4/2002 Hoenig  
D464,409 S 10/2002 Nishio  
D482,761 S 11/2003 Gotoh et al.

(Continued)

**OTHER PUBLICATIONS**

Office Action dated Mar. 7, 2014, issued in U.S. Appl. No. 29/423,375, filed May 31, 2012.

(Continued)

*Primary Examiner* — John Windmuller

*Assistant Examiner* — Steven Czyz

(74) *Attorney, Agent, or Firm* — Workman Nydegger

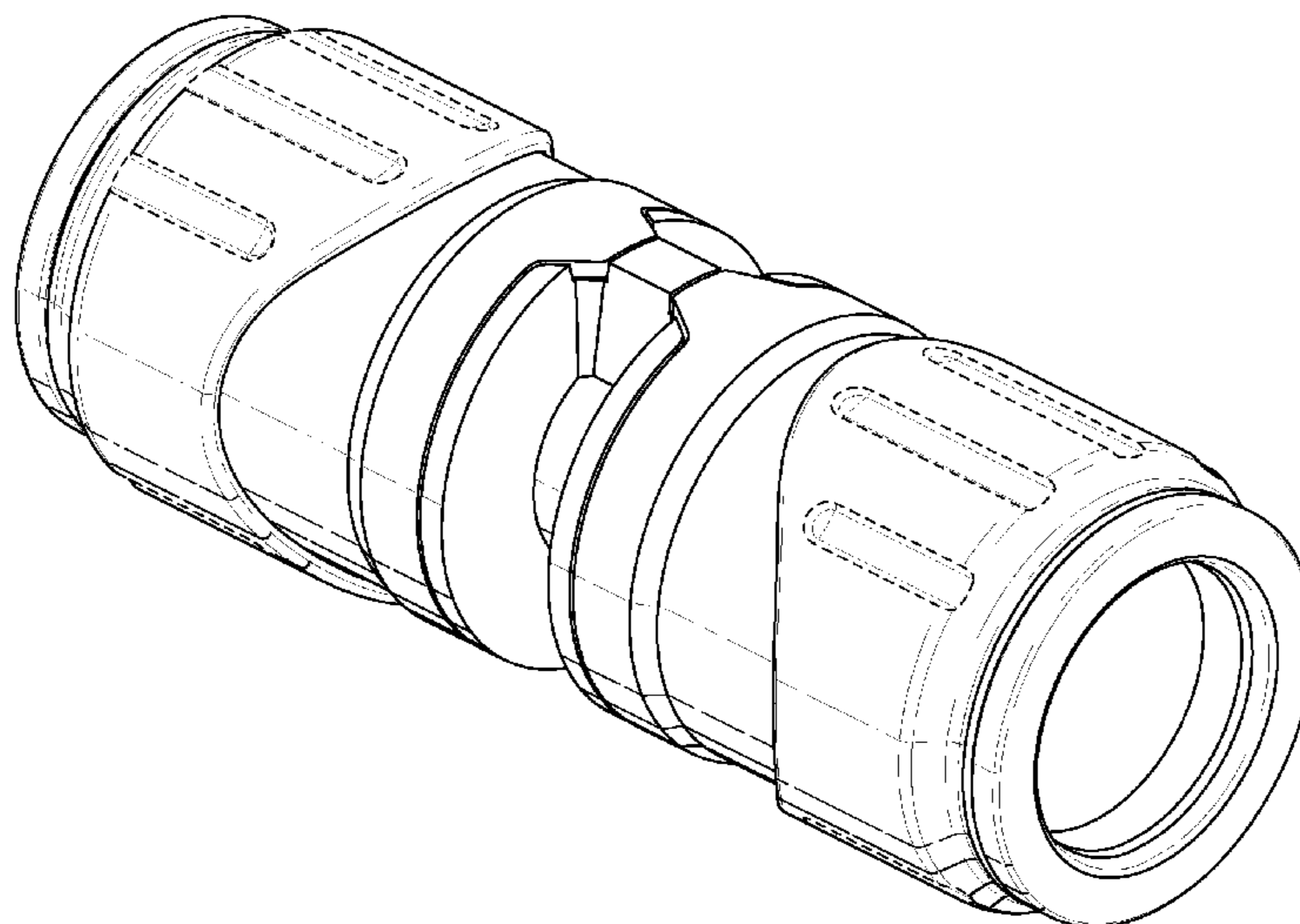
(57) **CLAIM**

The ornamental design for a fluid connector, as shown and described.

**DESCRIPTION**

FIG. 1 is a perspective view of a fluid connector showing my new design;  
FIG. 2 is a right side elevational view thereof;  
FIG. 3 is a front elevational view thereof;  
FIG. 4 is a rear elevational view thereof;  
FIG. 5 is a top plan view thereof;  
FIG. 6 is a bottom plan view thereof; and,  
FIG. 7 is a perspective view thereof with the two collars of the fluid connector rotated to a second position.  
The broken lines are included for the purpose of illustrating portions of the article and form no part of the claimed design.

**1 Claim, 3 Drawing Sheets**



(56)

**References Cited**

U.S. PATENT DOCUMENTS

D483,096 S 12/2003 Gotoh et al.  
 D517,176 S 3/2006 Wilk et al.  
 D517,665 S \* 3/2006 Wilk et al. .... D23/262  
 D524,427 S \* 7/2006 Wilk et al. .... D23/262  
 D550,333 S 9/2007 Bamberger et al.  
 D565,707 S 4/2008 Brockington et al.  
 D575,377 S 8/2008 Roman  
 D593,652 S 6/2009 Thomas et al.  
 D597,182 S \* 7/2009 Choi ..... D23/263  
 D597,183 S \* 7/2009 Choi ..... D23/263  
 D602,128 S 10/2009 Williams et al.  
 D615,165 S 5/2010 McAlpine et al.  
 D627,039 S 11/2010 Yu  
 D639,398 S 6/2011 Wilhelm  
 D648,008 S 11/2011 Percoco et al.  
 D651,696 S 1/2012 Giordano  
 D654,150 S \* 2/2012 Bonhag et al. .... D23/259  
 D665,481 S 8/2012 Bloink et al.  
 8,267,431 B2 9/2012 Okuno et al.  
 D676,940 S \* 2/2013 Kluss et al. .... D23/262  
 D676,941 S 2/2013 Kluss et al.

D676,942 S 2/2013 Kluss et al.  
 D676,943 S 2/2013 Kluss et al.  
 D681,159 S 4/2013 Ben-Horin et al.  
 D687,528 S \* 8/2013 Meyer ..... D23/262  
 D691,246 S 10/2013 Ward  
 8,636,720 B2 \* 1/2014 Truitt et al. .... 604/537  
 8,641,685 B2 \* 2/2014 Mansour et al. .... 604/256  
 8,646,813 B1 2/2014 Shemtov  
 8,647,326 B2 \* 2/2014 Solomon et al. .... 604/533  
 8,657,343 B2 \* 2/2014 Rodenberg et al. .... 285/82  
 D709,994 S \* 7/2014 King et al. .... D23/259  
 D711,516 S \* 8/2014 Guest ..... D23/262  
 D712,014 S \* 8/2014 Guest ..... D23/262  
 D716,916 S \* 11/2014 Snow ..... D23/262  
 2005/0194781 A1 9/2005 Tiberghien et al.  
 2008/0238087 A1 10/2008 Wang et al.  
 2013/0257043 A1 10/2013 Guest

OTHER PUBLICATIONS

Office Action dated Mar. 7, 2014, issued in U.S. Appl. No. 29/423,379, filed May 31, 2012.

\* cited by examiner

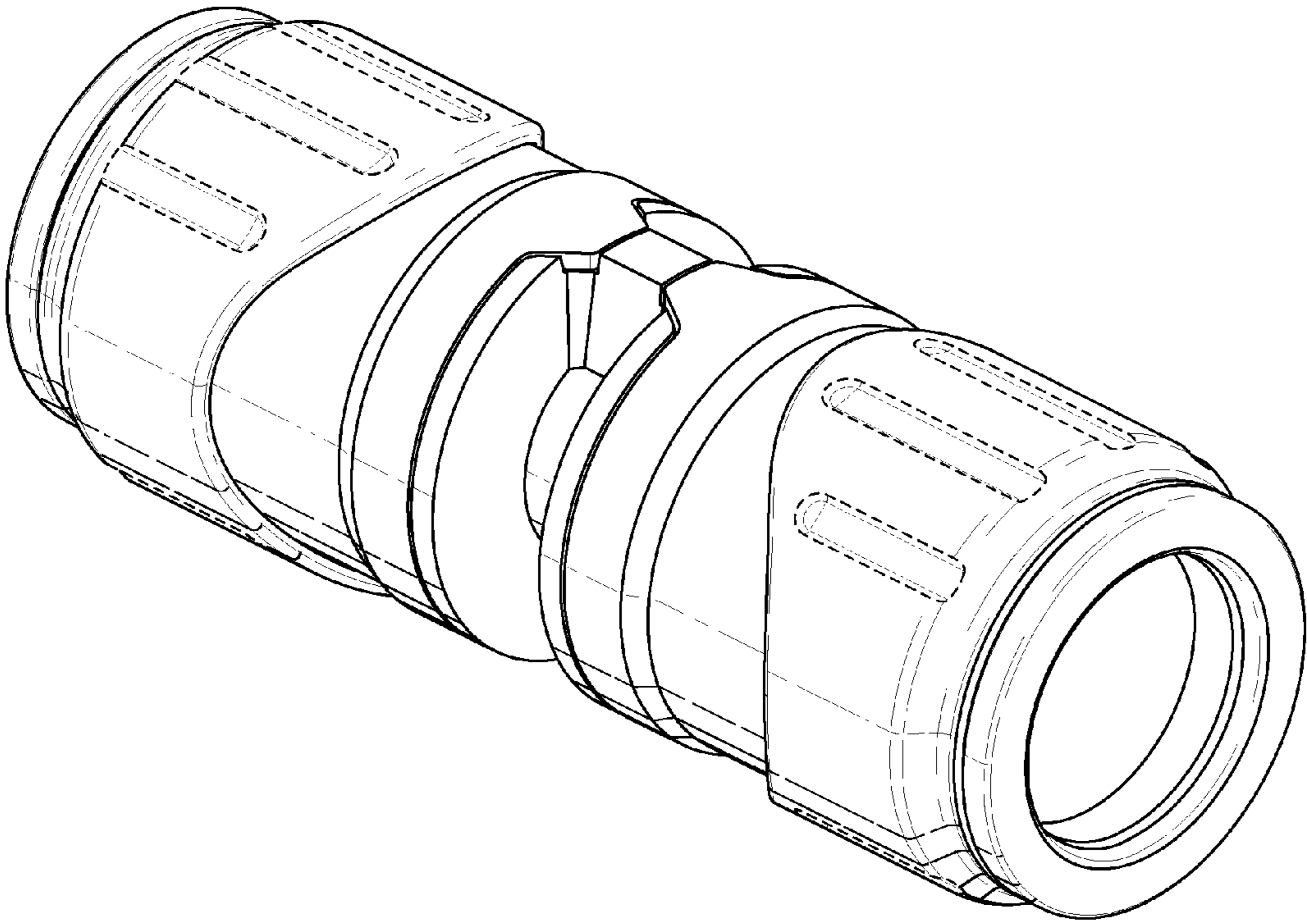


FIG. 1

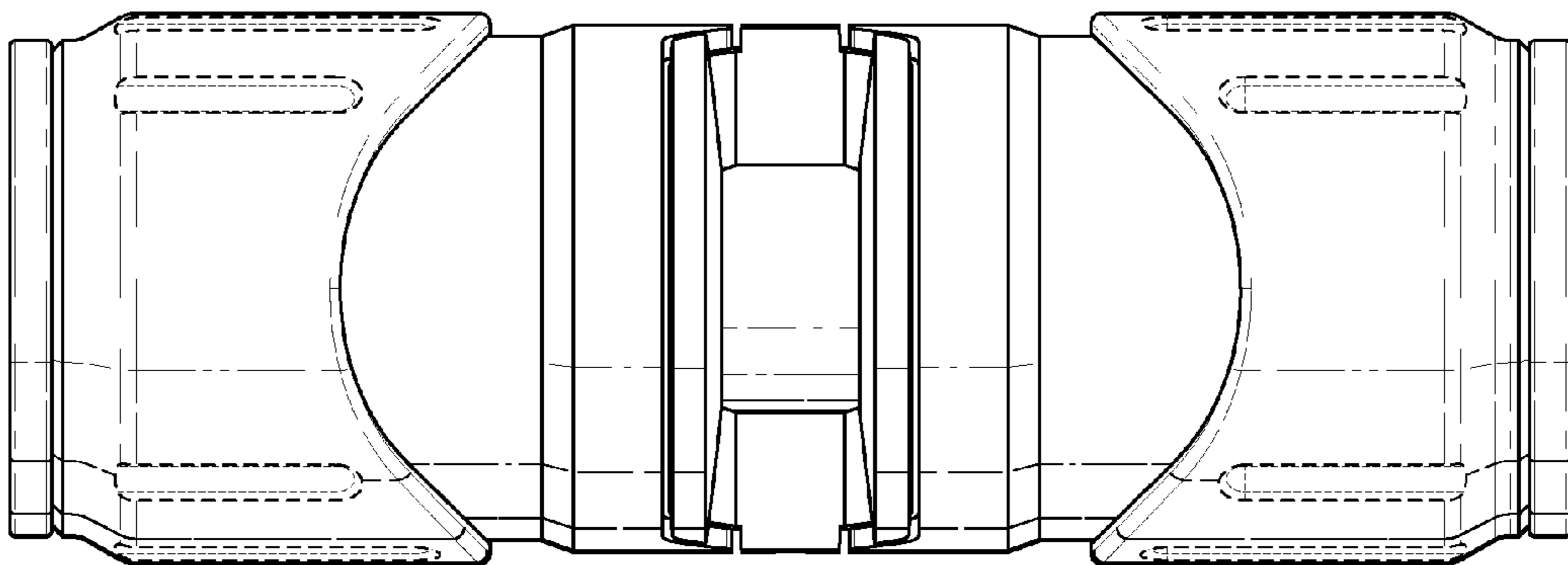


FIG. 2

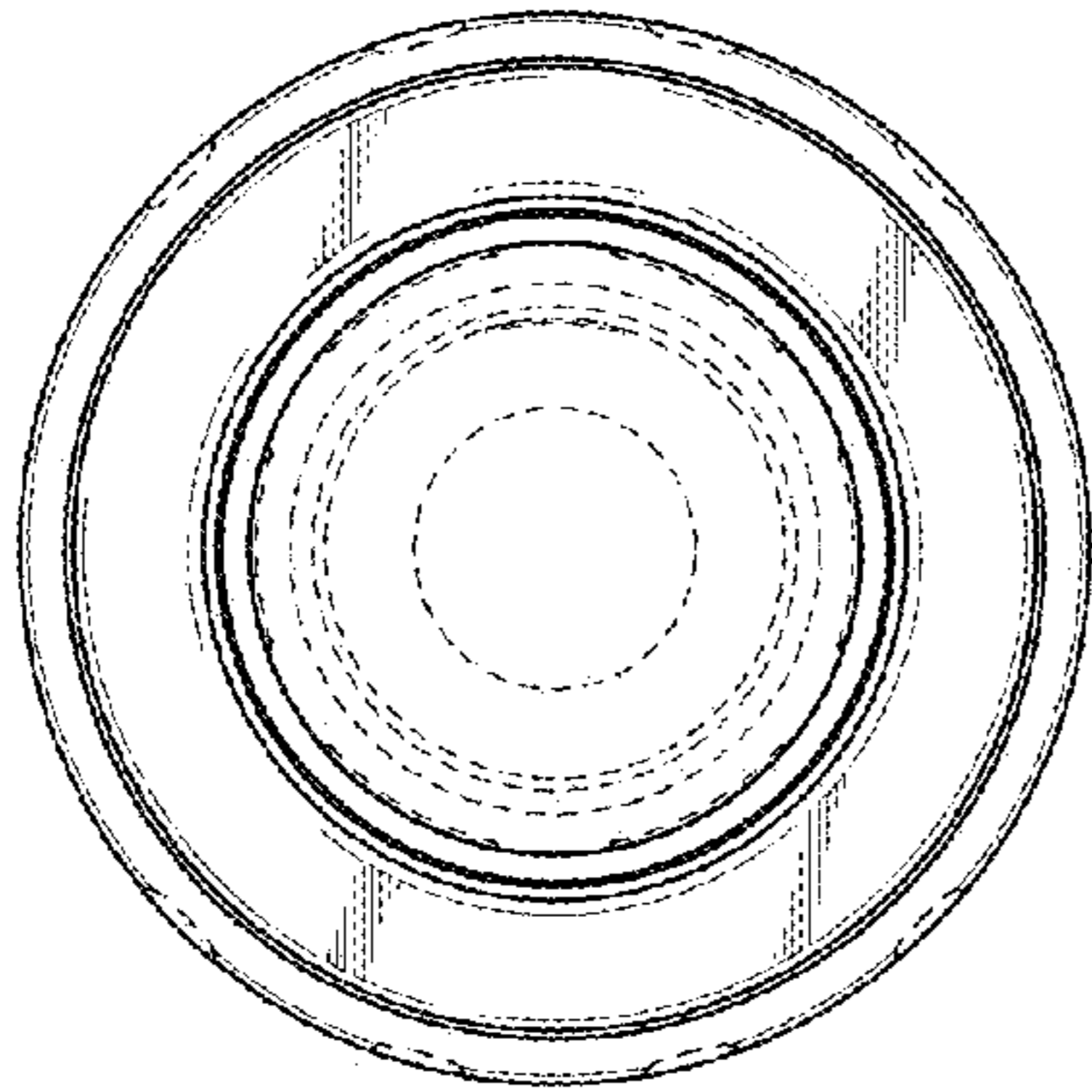


FIG. 3

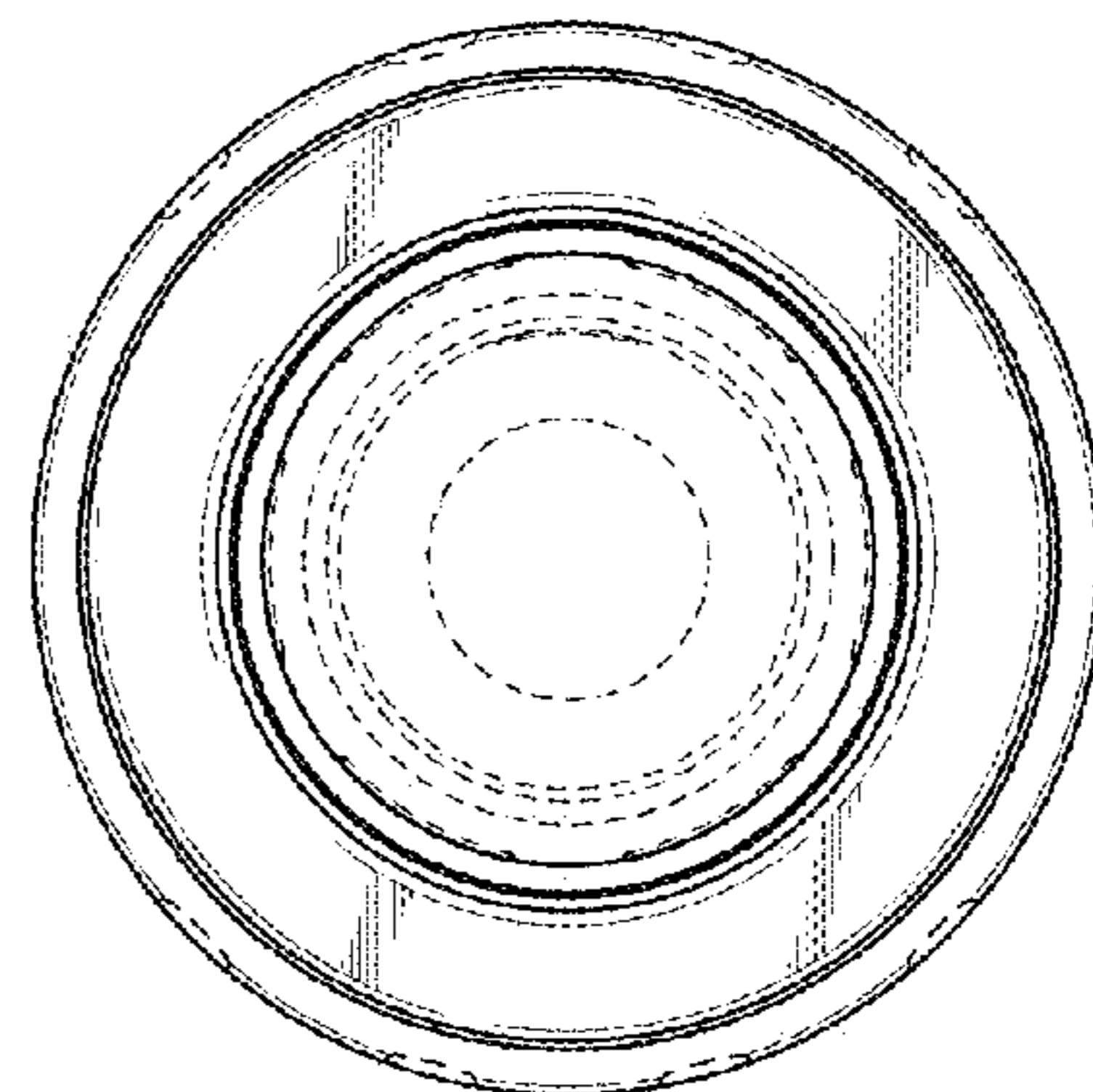


FIG. 4

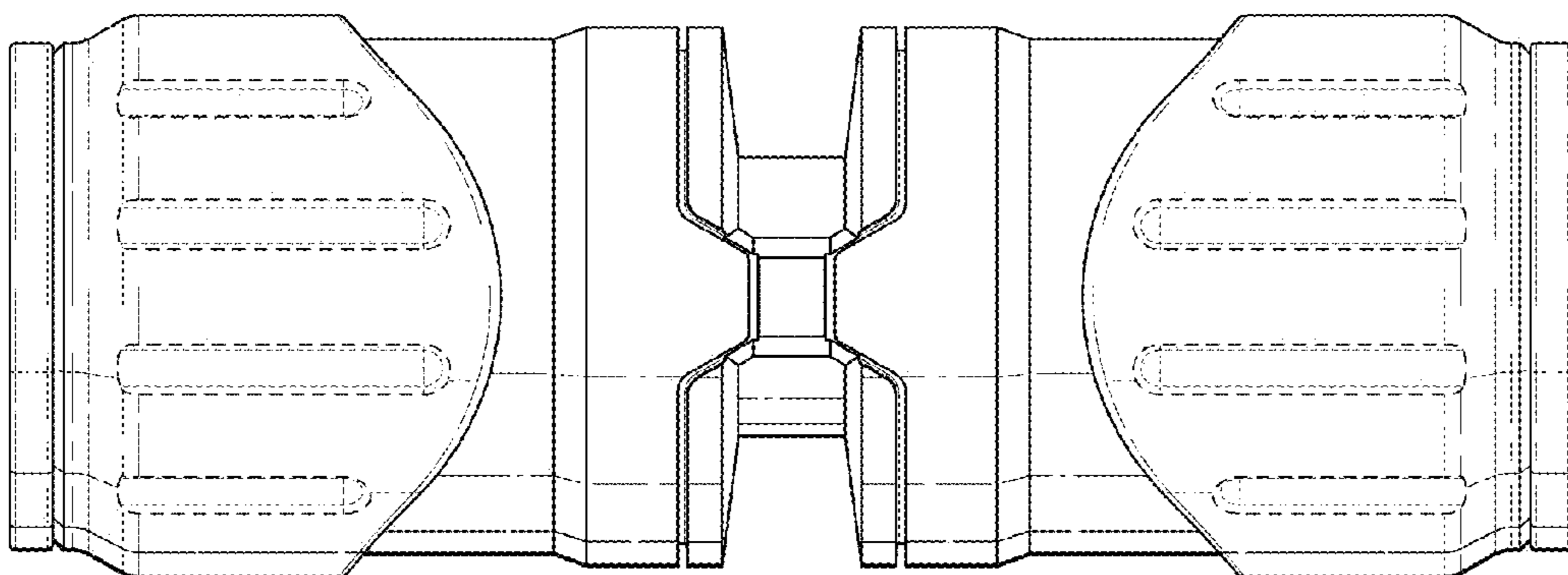


FIG. 5

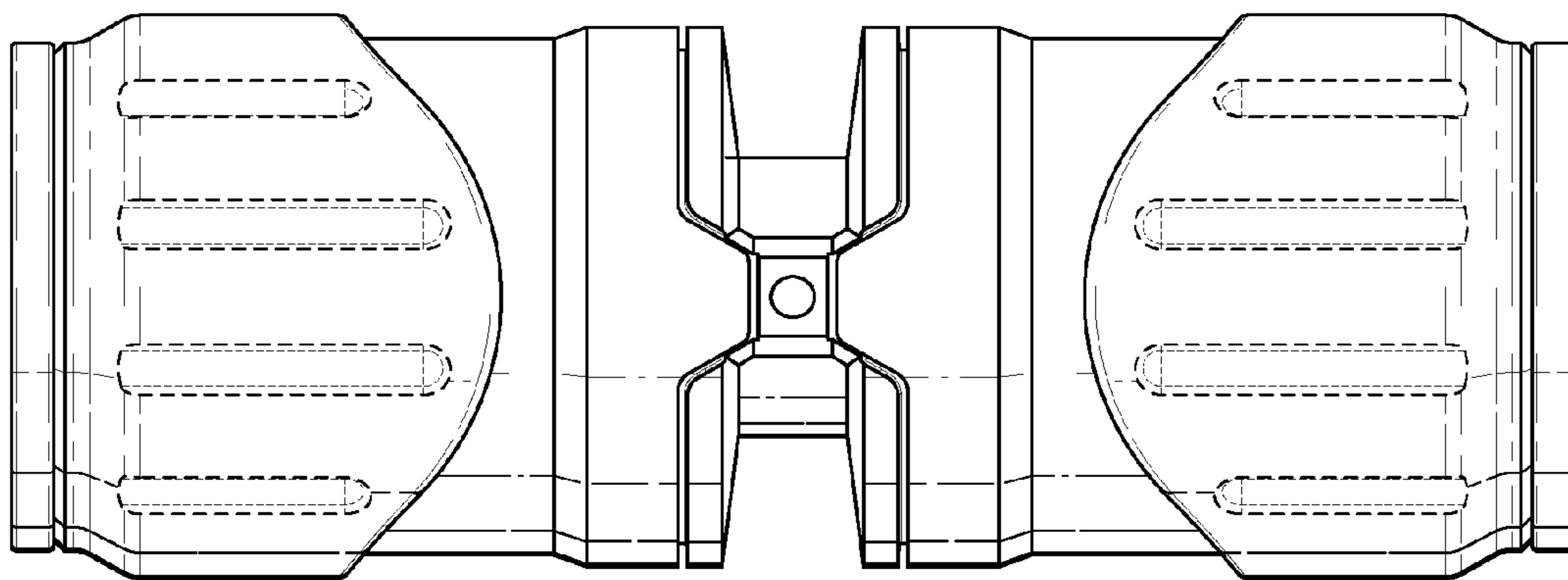


FIG. 6

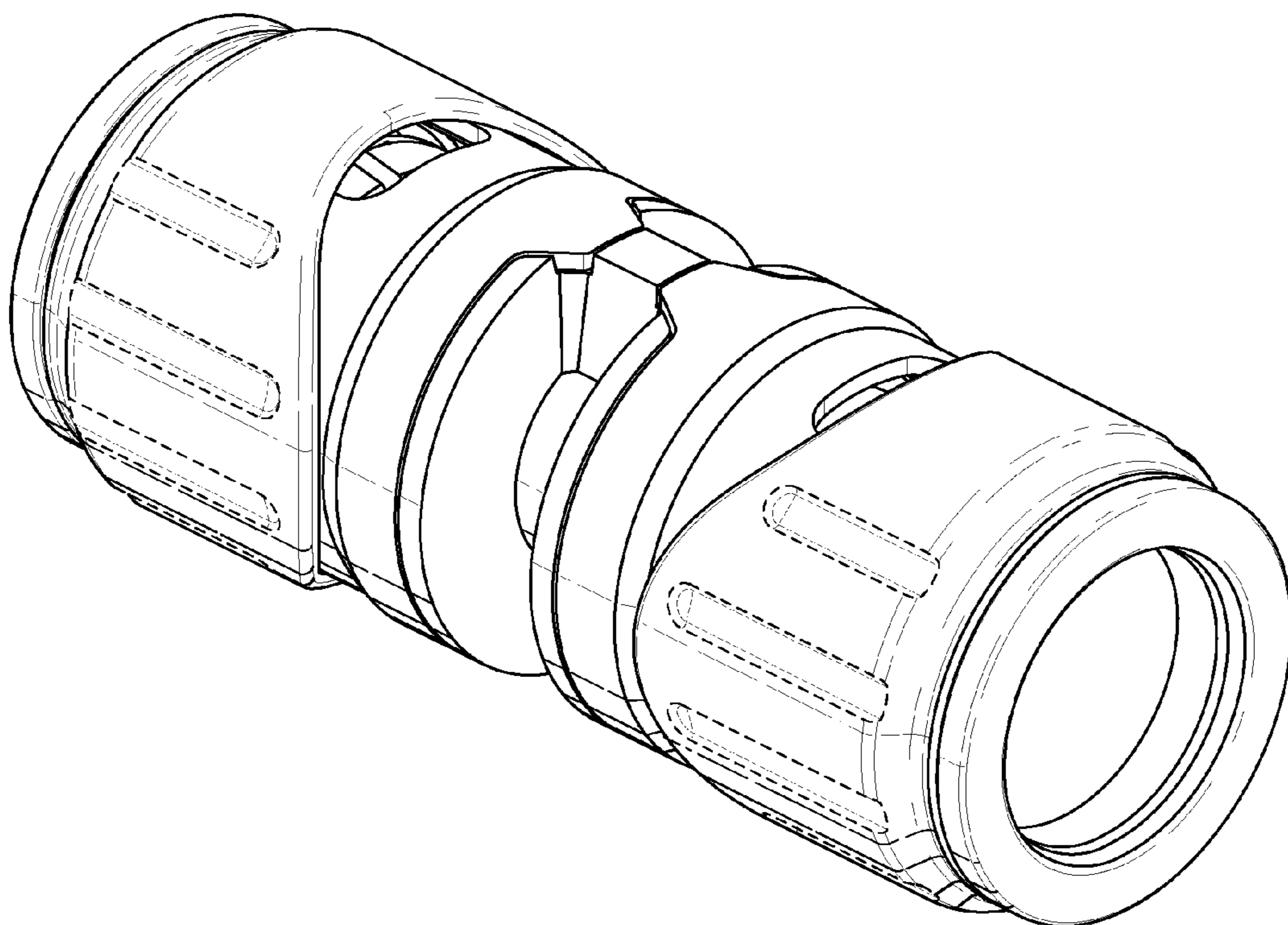


FIG. 7