



US00D733844S

(12) **United States Design Patent**
Ball et al.

(10) **Patent No.:** **US D733,844 S**

(45) **Date of Patent:** **** *Jul. 7, 2015**

(54) **HYDRANT ENCLOSURE**

(71) Applicant: **WCM Industries, Inc.**, Colorado Springs, CO (US)

(72) Inventors: **William T. Ball**, Colorado Springs, CO (US); **Eric Pilarczyk**, Colorado Springs, CO (US)

(73) Assignee: **WCM Industries, Inc.**, Colorado Springs, CO (US)

(*) Notice: This patent is subject to a terminal disclaimer.

(**) Term: **14 Years**

(21) Appl. No.: **29/514,306**

(22) Filed: **Jan. 10, 2015**

Related U.S. Application Data

(63) Continuation of application No. 14/317,627, filed on Jun. 27, 2014.

(51) **LOC (10) Cl.** **23-01**

(52) **U.S. Cl.**
USPC **D23/259**

(58) **Field of Classification Search**
USPC D23/259, 233–237, 249, 260–263, 265, D23/266, 499; 137/272, 377, 382; 251/148, 251/149, 153; 285/10–11, 123.2, 124.1, 285/154.1, 242, 284.1, 351
See application file for complete search history.

(56) **References Cited**

U.S. PATENT DOCUMENTS

D180,010 S * 4/1957 Britton D23/235
D216,791 S * 3/1970 Woodford D23/234
D228,554 S * 10/1973 Magorien D23/263
D245,255 S * 8/1977 Porter D23/260
D275,616 S * 9/1984 Gray D24/110.6

D283,204 S * 4/1986 McDonald D10/96
D318,718 S * 7/1991 Blatt D23/262
5,964,246 A * 10/1999 Meeker 137/360
6,948,512 B2 * 9/2005 McKeague 137/15.05
D614,736 S * 4/2010 Freiler D23/260
8,042,565 B2 10/2011 Ball et al.
D656,223 S * 3/2012 Cronje et al. D23/233
8,353,309 B1 * 1/2013 Embry et al. 137/385
D681,784 S * 5/2013 Liljegren et al. D23/262
D715,405 S * 10/2014 McAlpine D23/233
D720,046 S * 12/2014 Morodomi et al. D23/233
D721,787 S * 1/2015 Yoshimura et al. D23/233
D721,788 S * 1/2015 Pifer D23/233
D722,674 S * 2/2015 Lipkens et al. D23/207

(Continued)

OTHER PUBLICATIONS

Notice of Allowance for U.S. Appl. No. 29/503,651, mailed Mar. 3, 2015, 10 pages.

(Continued)

Primary Examiner — Eric Goodman

Assistant Examiner — Amy Wierenga

(74) *Attorney, Agent, or Firm* — Sheridan Ross P.C.

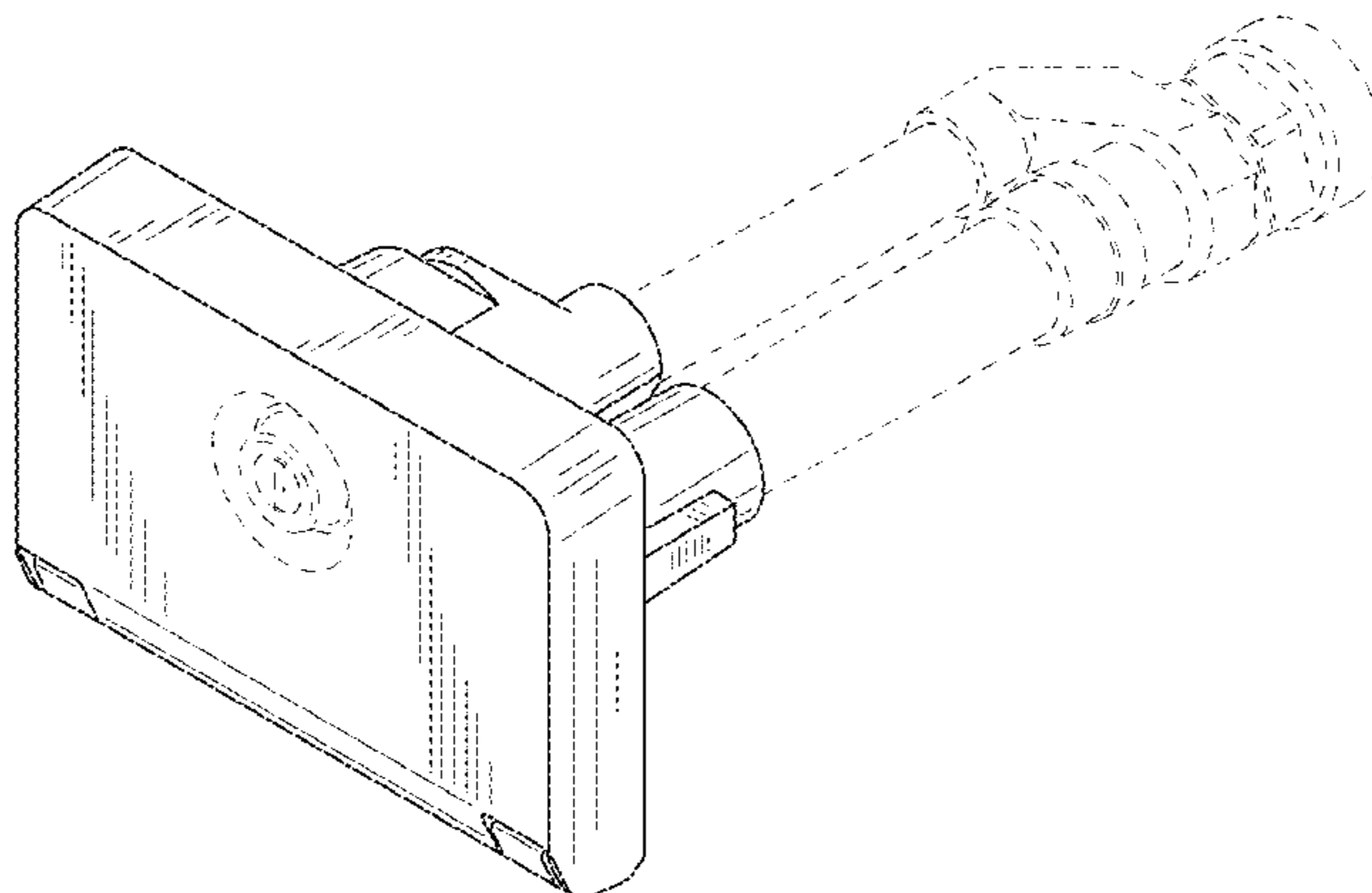
(57) **CLAIM**

The ornamental design for a hydrant enclosure, as shown and described.

DESCRIPTION

FIG. 1 is a perspective view of the hydrant enclosure showing the new design;
FIG. 2 is a front elevation view thereof;
FIG. 3 is a rear elevation view thereof;
FIG. 4 is a right elevation view thereof;
FIG. 5 is a left elevation view thereof;
FIG. 6 is a top plan view thereof; and,
FIG. 7 is a bottom plan view thereof.
The broken line showing is for the purpose of illustrating environment and forms no part of the claimed design.

1 Claim, 5 Drawing Sheets



(56)

References Cited

U.S. PATENT DOCUMENTS

D722,676	S *	2/2015	Gaertner	D23/233
8,973,599	B2 *	3/2015	Stanaland	137/218
2004/0000337	A1 *	1/2004	Cooper	137/377
2006/0086921	A1 *	4/2006	Ball	251/148
2011/0062834	A1 *	3/2011	Ball et al.	312/215
2014/0202558	A1 *	7/2014	Chou et al.	137/377
2015/0000767	A1 *	1/2015	Ball et al.	137/382

OTHER PUBLICATIONS

Notice of Allowance for U.S. Appl. No. 29/503,653, mailed Mar. 4, 2015, 10 pages.

Official Action for U.S. Appl. No. 29/514,307, mailed Mar. 11, 2015, 7 pages.

Official Action for U.S. Appl. No. 29/514,308, mailed Mar. 11, 2015, 7 pages.

* cited by examiner

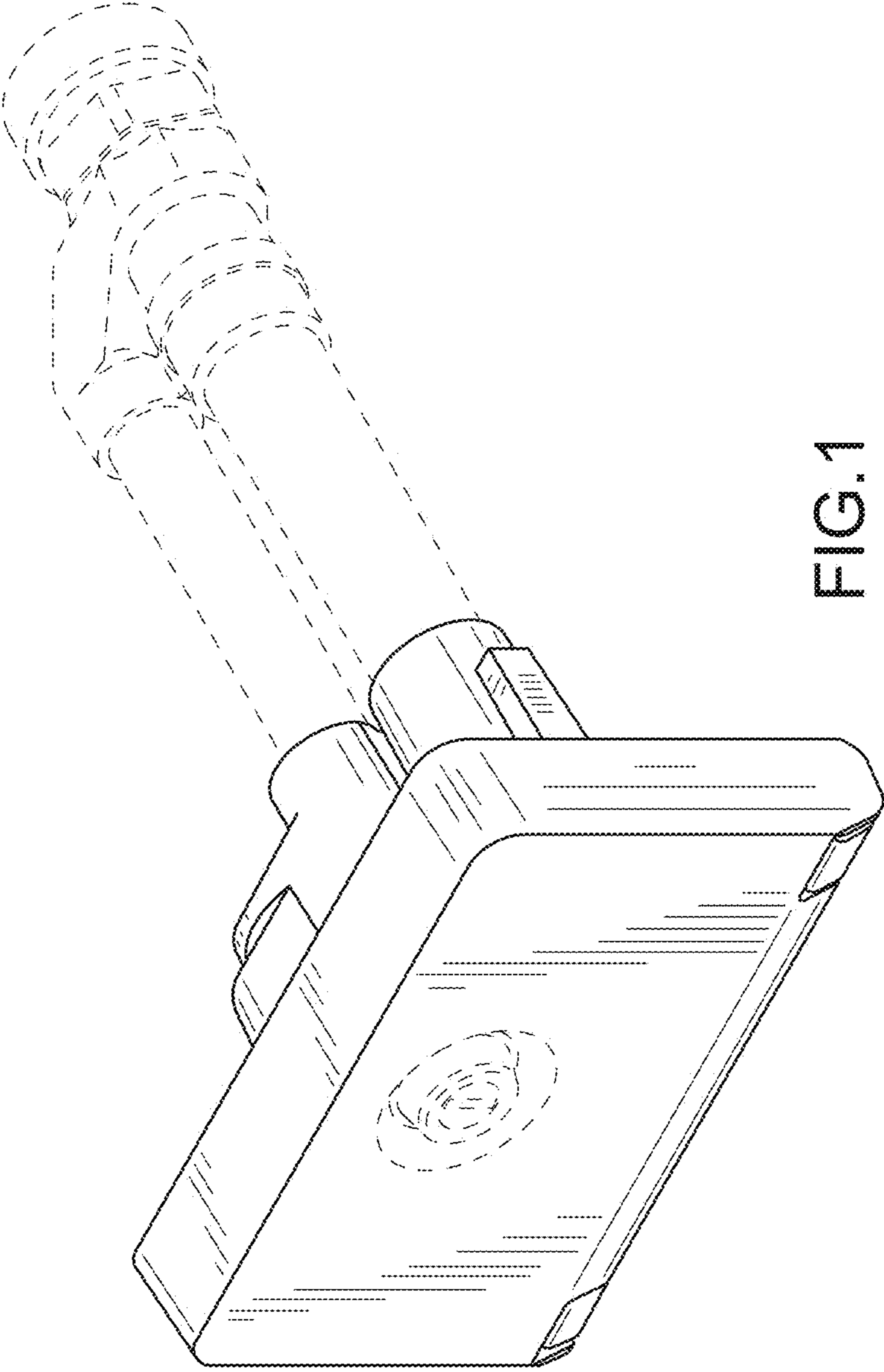


FIG. 1

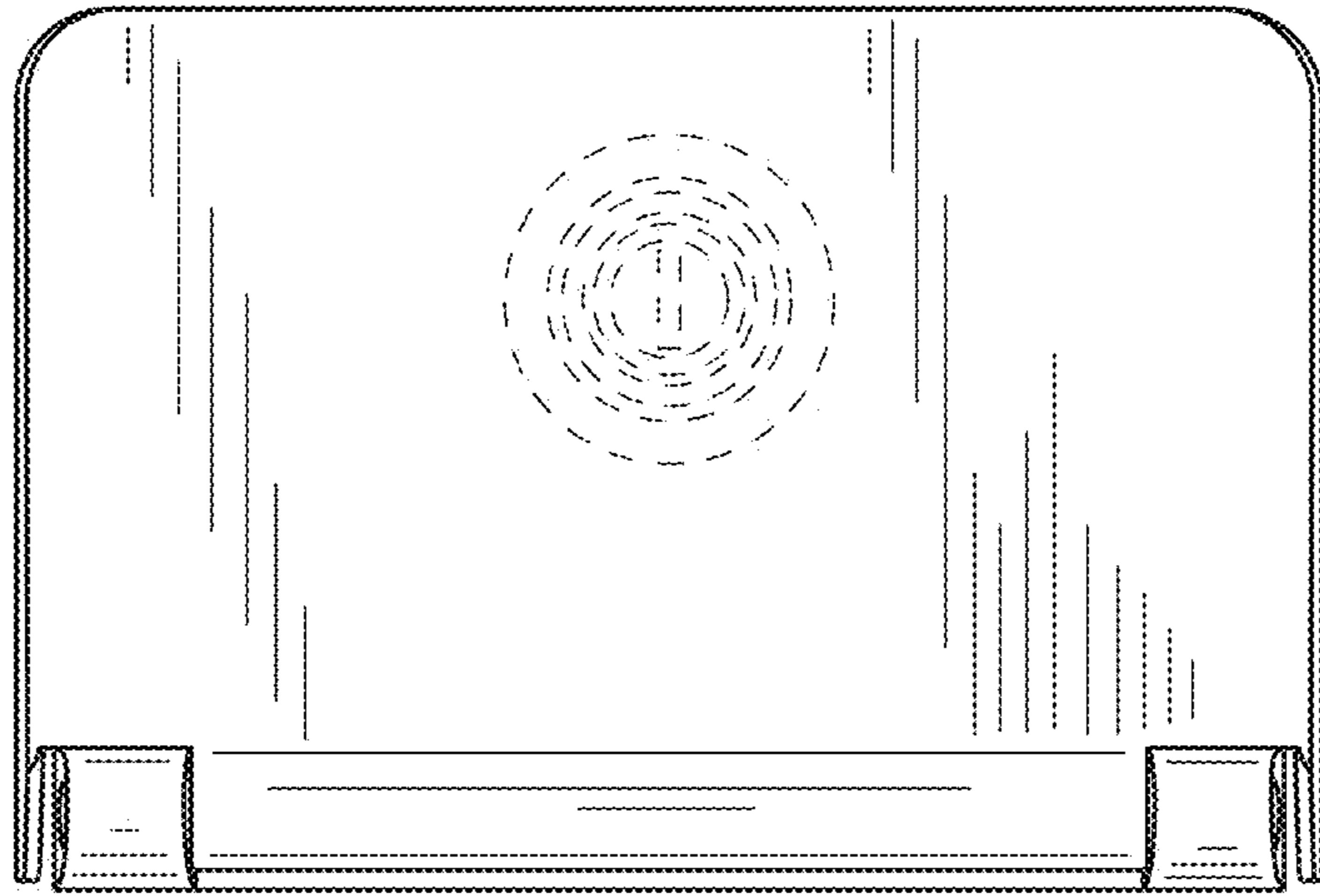


FIG. 2

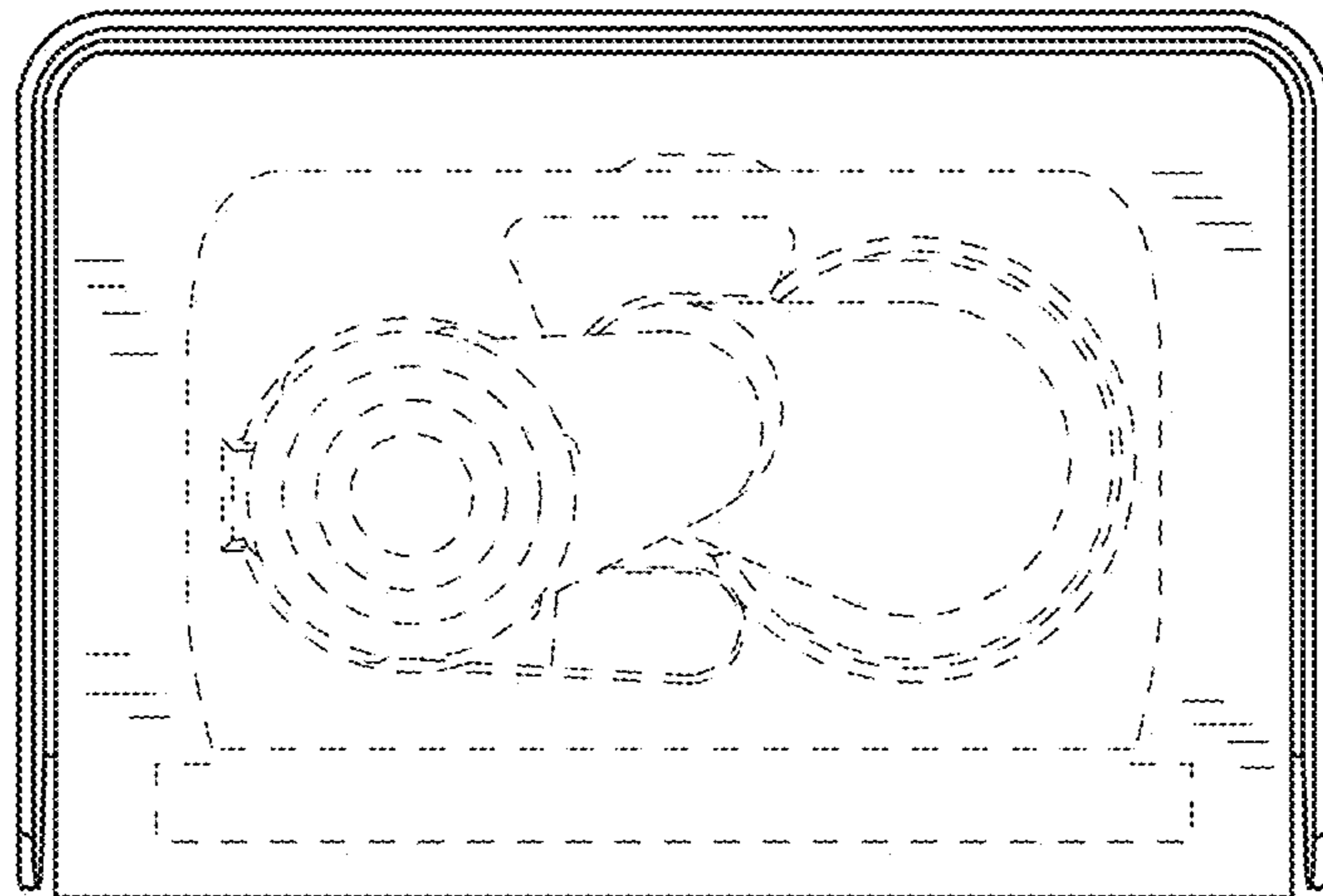
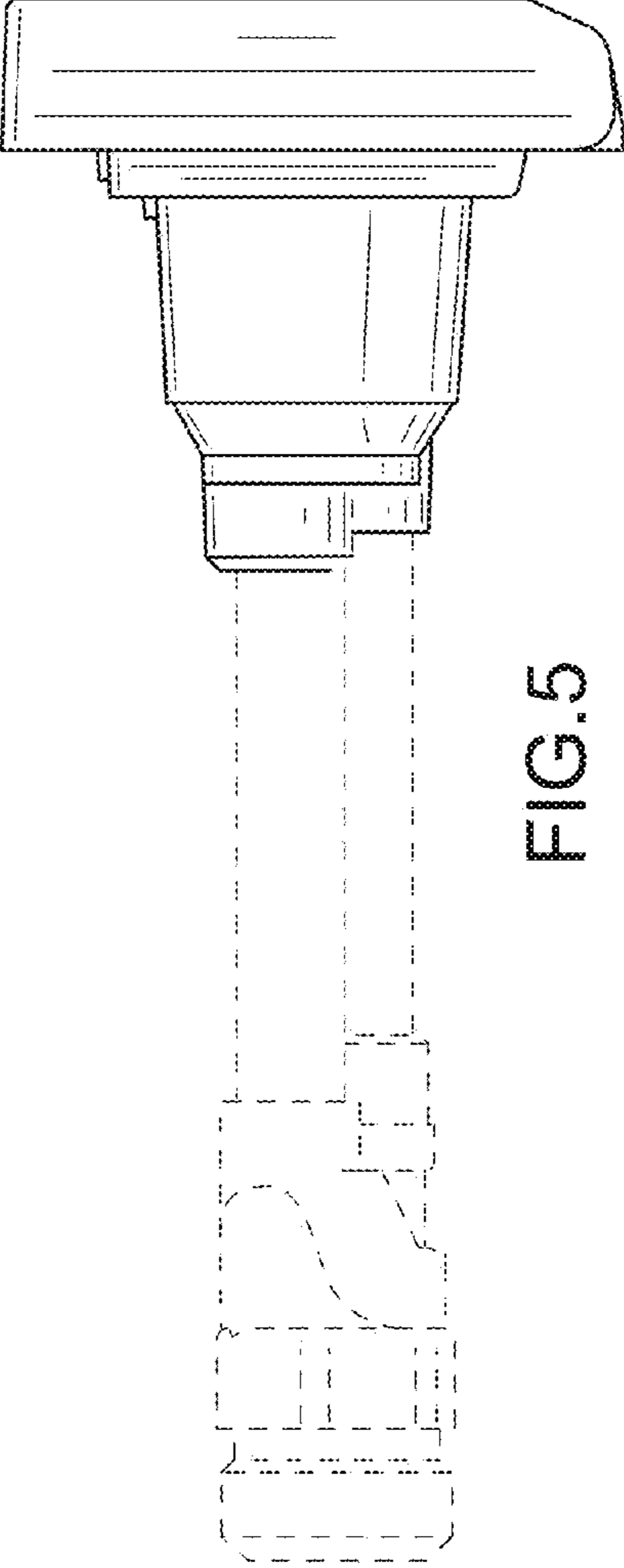
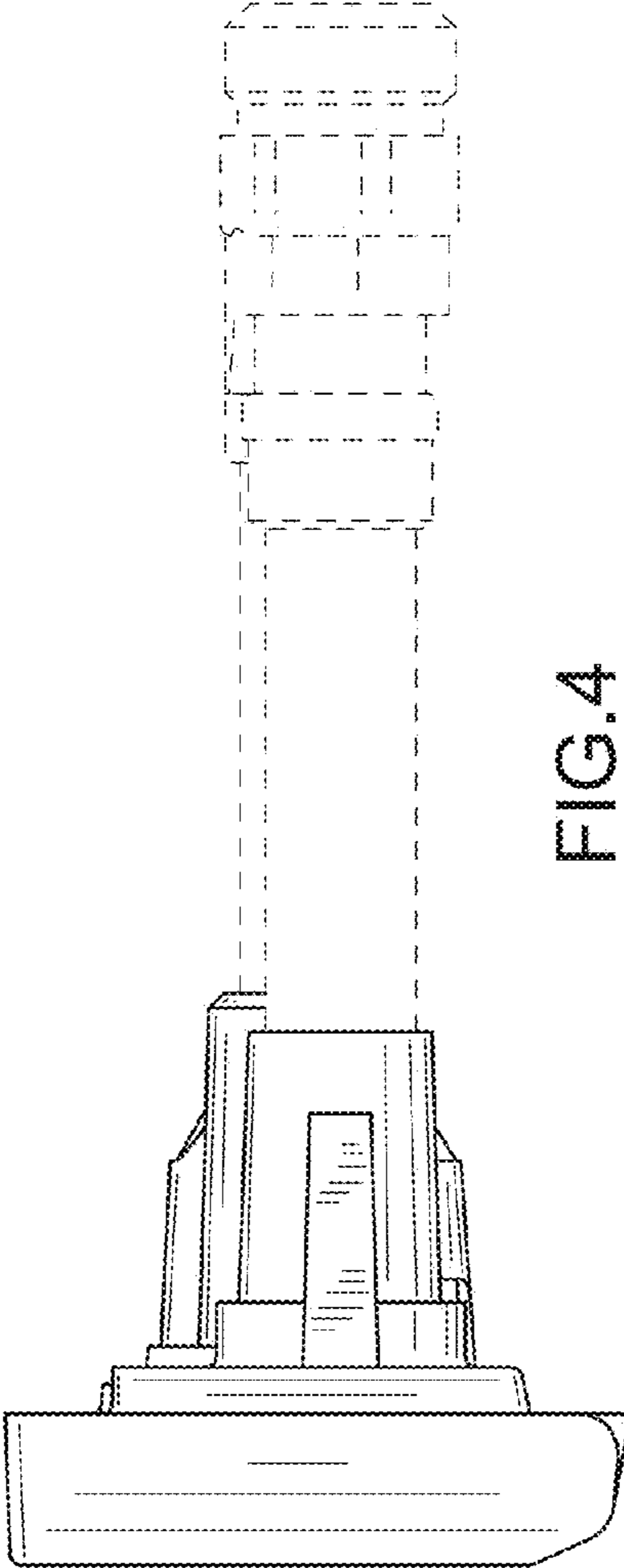


FIG. 3



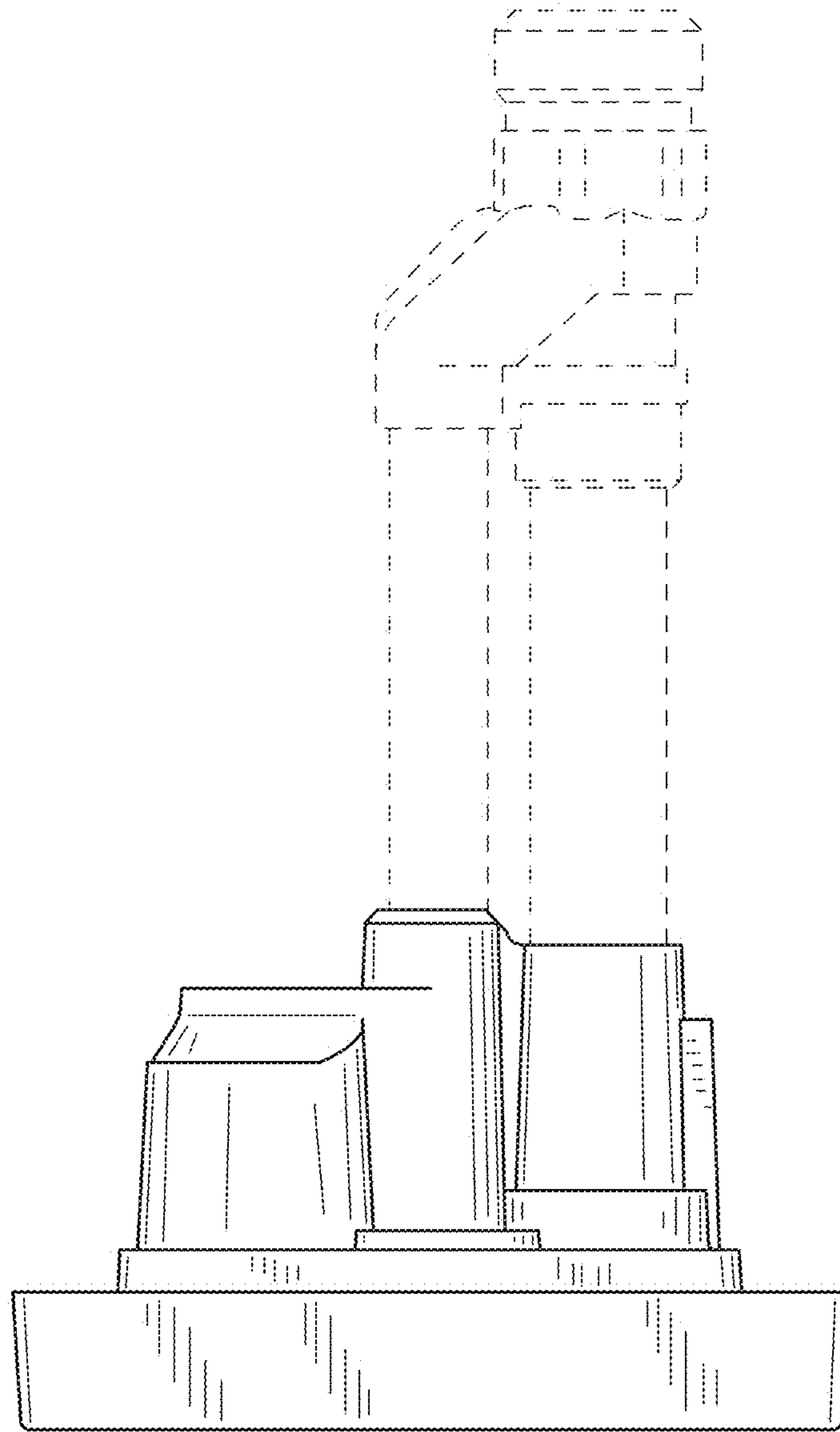


FIG.6

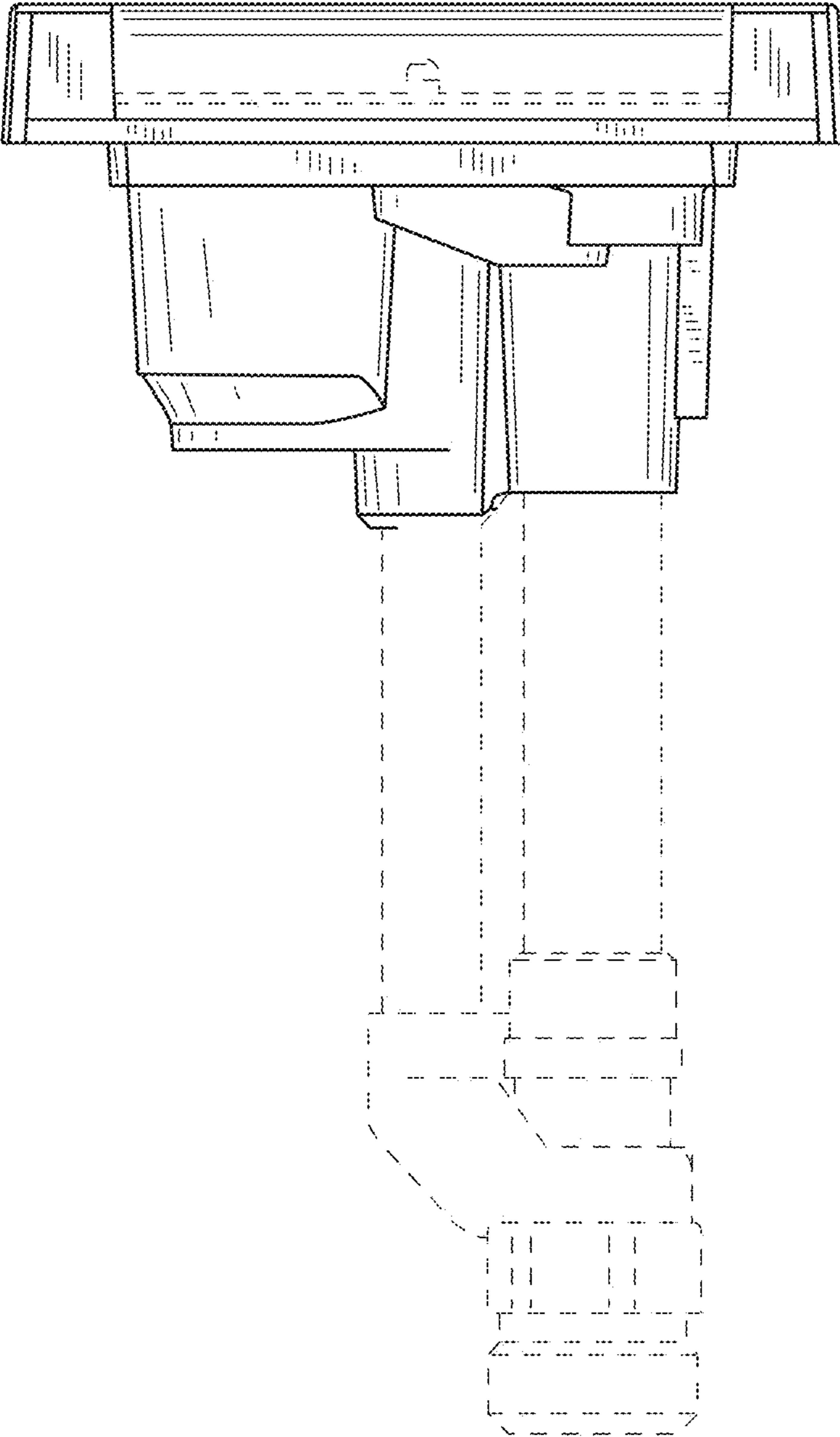


FIG.7

UNITED STATES PATENT AND TRADEMARK OFFICE
CERTIFICATE OF CORRECTION

PATENT NO. : D733,844 S
APPLICATION NO. : 29/514306
DATED : July 7, 2015
INVENTOR(S) : Ball et al.

Page 1 of 2

It is certified that error appears in the above-identified patent and that said Letters Patent is hereby corrected as shown below:

In the Drawings

Please replace FIG. 3 with FIG. 3 as shown on the attached page

Signed and Sealed this
Ninth Day of February, 2016



Michelle K. Lee
Director of the United States Patent and Trademark Office

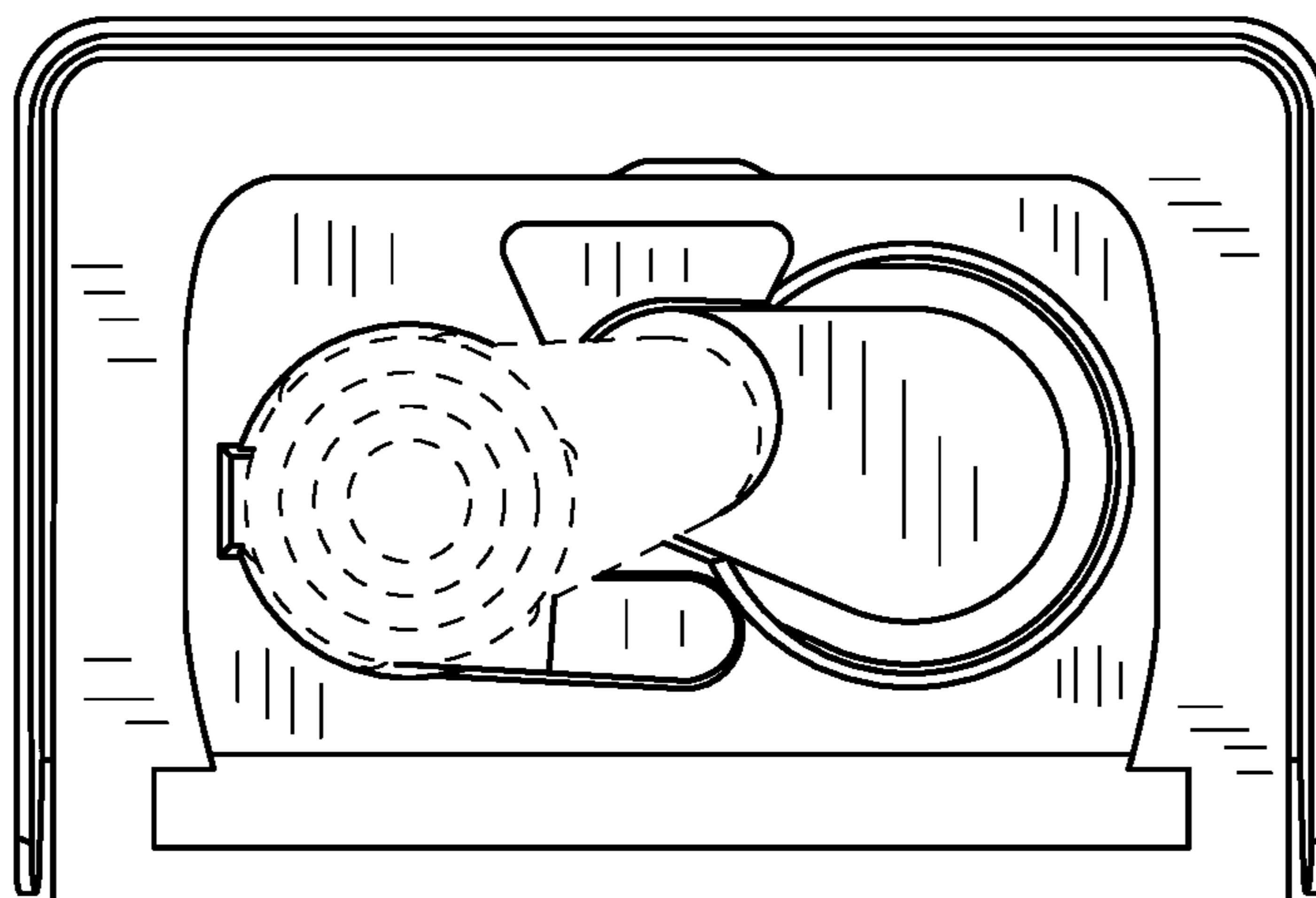


FIG.3