



US00D733842S

(12) **United States Design Patent**
Allred et al.

(10) **Patent No.:** **US D733,842 S**
(45) **Date of Patent:** **** Jul. 7, 2015**

(54) **TUBE CONNECTOR**

(71) Applicant: **LIFE TECHNOLOGIES CORPORATION**, Carlsbad, CA (US)

(72) Inventors: **Brett L. Allred**, Hyde Park, UT (US); **Steven R. Kjar**, Logan, UT (US); **Ryan S. Beus**, Logan, UT (US)

(73) Assignee: **Life Technologies Corporation**, Carlsbad, CA (US)

(**) Term: **14 Years**

(21) Appl. No.: **29/494,386**

(22) Filed: **Jun. 19, 2014**

(51) **LOC (10) Cl.** **23-01**

(52) **U.S. Cl.**
USPC **D23/259**

(58) **Field of Classification Search**
USPC D23/233, 259-269; D24/129; 138/109, 138/140, 143, 177; 285/31, 81, 305, 308, 285/364; D8/382

See application file for complete search history.

(56) **References Cited**

U.S. PATENT DOCUMENTS

3,957,292	A	*	5/1976	Diggs	285/130.1
D251,734	S	*	5/1979	McCaw et al.	D24/129
D259,278	S	*	5/1981	McCaw et al.	D24/129
D282,962	S	*	3/1986	Gerber	D23/262
D333,178	S	*	2/1993	Novy	D23/262
D333,179	S	*	2/1993	Mikiya et al.	D23/262
5,350,080	A	*	9/1994	Brown et al.	220/62.21
5,687,993	A		11/1997	Brim		
D388,876	S	*	1/1998	Sampson	D24/129
D396,730	S	*	8/1998	Schaupp	D23/259

(Continued)

OTHER PUBLICATIONS

Female Luer Lock to Hose End 1728C, Tubing Connectors, dynamical.com, Searched Nov. 18, 2014, http://www.dynamical.com/pg7e.html#T.*

(Continued)

Primary Examiner — John Windmuller

Assistant Examiner — Steven Czyz

(74) *Attorney, Agent, or Firm* — Workman Nydegger

(57) **CLAIM**

The ornamental design for a tube connector, as shown and described.

DESCRIPTION

FIG. 1 is a perspective view of a tube connector showing our new design;

FIG. 2 is a left side elevational view thereof, the right side elevational view, top plan view, and bottom plan view being identical thereto;

FIG. 3 is a rear elevational view thereof;

FIG. 4 is a front elevational view thereof;

FIG. 5 is a perspective view of a second embodiment of the tube connector;

FIG. 6 is a left side elevational view thereof, the right side elevational view, top plan view, and bottom plan view being identical thereto;

FIG. 7 is a rear elevational view thereof;

FIG. 8 is a front elevational view thereof;

FIG. 9 is a perspective view of a third embodiment of the tube connector;

FIG. 10 is a left side elevational view thereof, the right side elevational view, top plan view, and bottom plan view being identical thereto;

FIG. 11 is a rear elevational view thereof;

FIG. 12 is a front elevational view thereof;

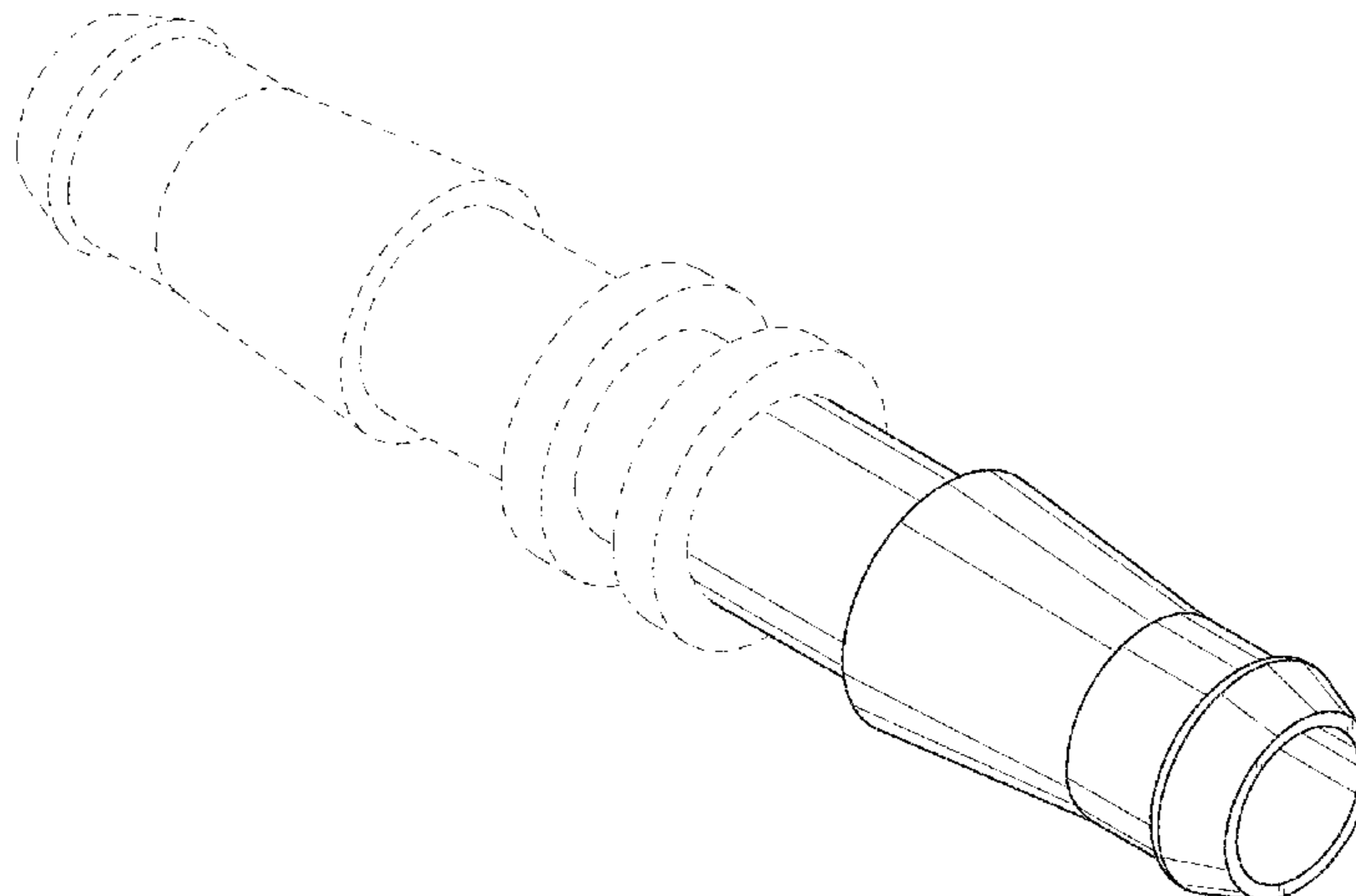
FIG. 13 is a perspective view of a fourth embodiment of the tube connector;

FIG. 14 is a left side elevational view thereof, the right side elevational view, top plan view, and bottom plan view being identical thereto;

FIG. 15 is a rear elevational view thereof; and,

FIG. 16 is a front elevational view thereof.

1 Claim, 8 Drawing Sheets



(56)

References Cited

U.S. PATENT DOCUMENTS

D464,409 S * 10/2002 Nishio D23/266
 D471,261 S * 3/2003 Koza D23/262
 D471,262 S * 3/2003 Koza D23/262
 6,843,275 B2 * 1/2005 Kato 138/109
 6,863,314 B2 * 3/2005 Guest 285/81
 D503,778 S * 4/2005 Wicks D23/259
 7,225,824 B2 6/2007 West et al.
 D566,653 S * 4/2008 Sakamoto D13/133
 D567,180 S * 4/2008 Sakamoto D13/133
 D570,457 S * 6/2008 Brown D23/262
 D597,637 S * 8/2009 Krohmer et al. D23/266
 D607,090 S * 12/2009 Johnson D23/262
 D617,880 S * 6/2010 Johnson D23/262
 D631,542 S * 1/2011 DeGross et al. D24/129
 D645,547 S * 9/2011 Lombardi et al. D23/262
 D649,240 S * 11/2011 Lewis et al. D24/129
 D654,558 S * 2/2012 Zeng D23/209
 D661,785 S * 6/2012 Johnson D23/262
 D661,787 S * 6/2012 Johnson D23/262
 D701,304 S * 3/2014 Lair et al. D24/129
 D716,915 S * 11/2014 Seino et al. D23/259
 2002/0011730 A1 * 1/2002 Stickan 285/93

2007/0029796 A1 * 2/2007 Bibby 285/308
 2008/0111371 A1 * 5/2008 Feger et al. 285/305
 2008/0191466 A1 * 8/2008 Knipple et al. 285/31
 2010/0301599 A1 * 12/2010 Jensen et al. 285/308
 2013/0020797 A1 * 1/2013 King et al. 285/45
 2013/0081995 A1 4/2013 Larsen et al.

OTHER PUBLICATIONS

Dorman/AutoGrade hard straight vacuum tubing connector assortment, vacuum connecting and tubing, accessories, autozone.com, Searched Nov. 18, 2014, http://www.autozone.com/fasteners/vacuum-connector-and-tubing/dorman-autograde-hard-straight-vacuum-tubing-connector-assortment/426012_0_0/.
 Eldon James Corporation, *Manufacture Standard & Customer Hose Fittings & Plastic Tubing*, published at least as early as May 2014.
 ParkerHannifin Corporation, *Industrial: Barbed Fittings*, Catalog 3501E, published at least as early as May 2014, 12 pages.
 ZenPure Americas, Inc., RD65 Series Filter Capsules Catalog, published at least as early as Aug. 2013, 3 pages.
 Kuri Tec, Fitting Suggestions for Kari Tec Hose & Tubing, Catalog KKTCA0408, published at least as early as May 2014, pp. 64-65.

* cited by examiner

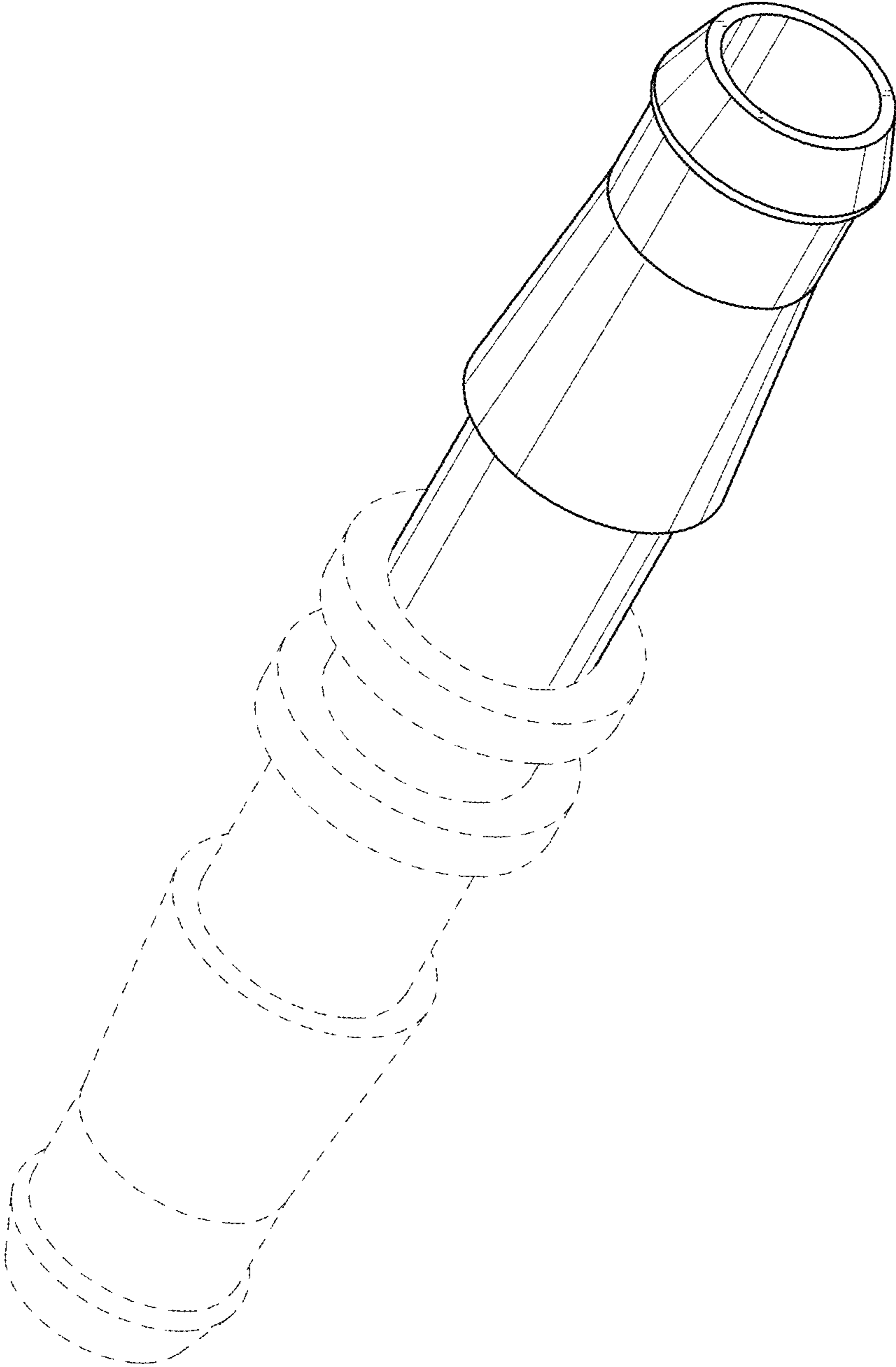


FIG. 1

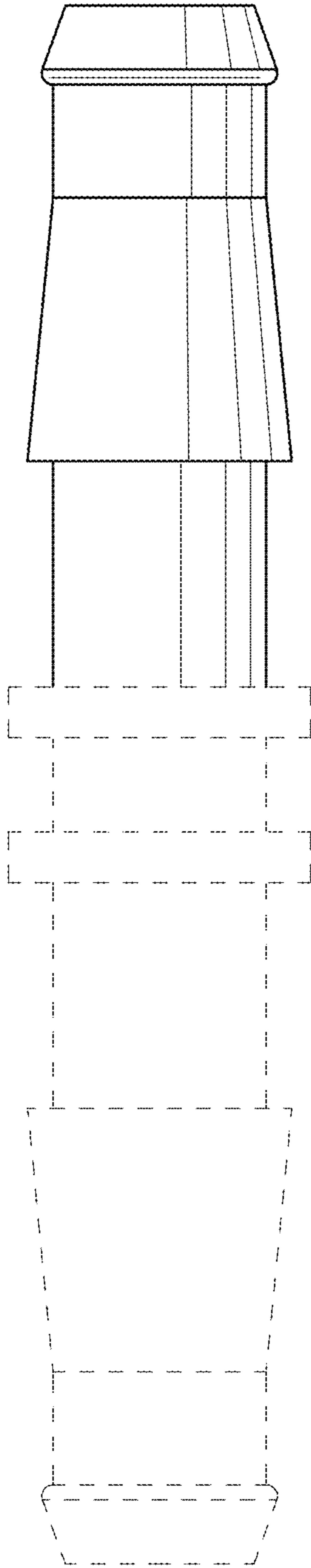


FIG. 2

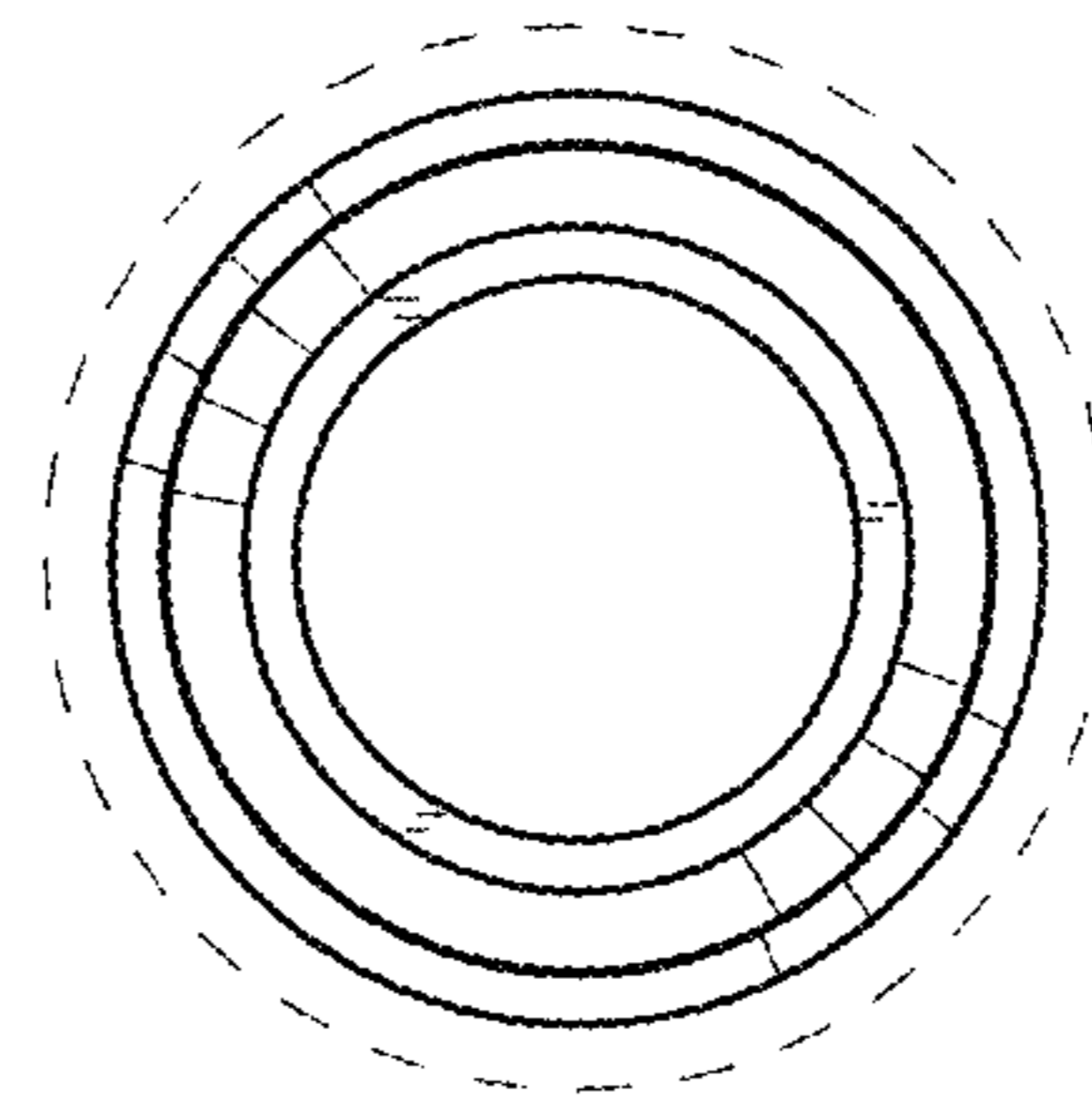


FIG. 4

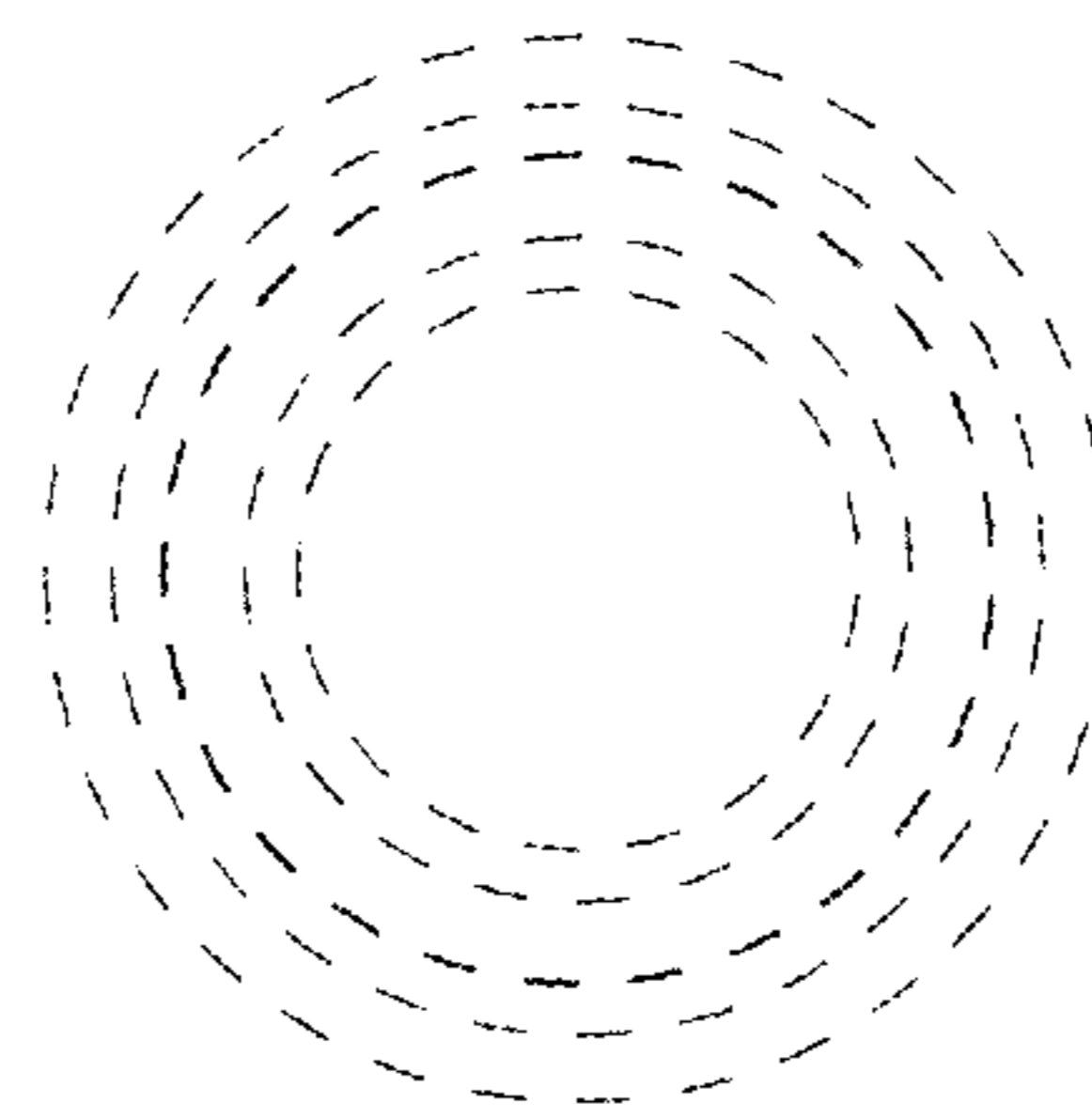


FIG. 3

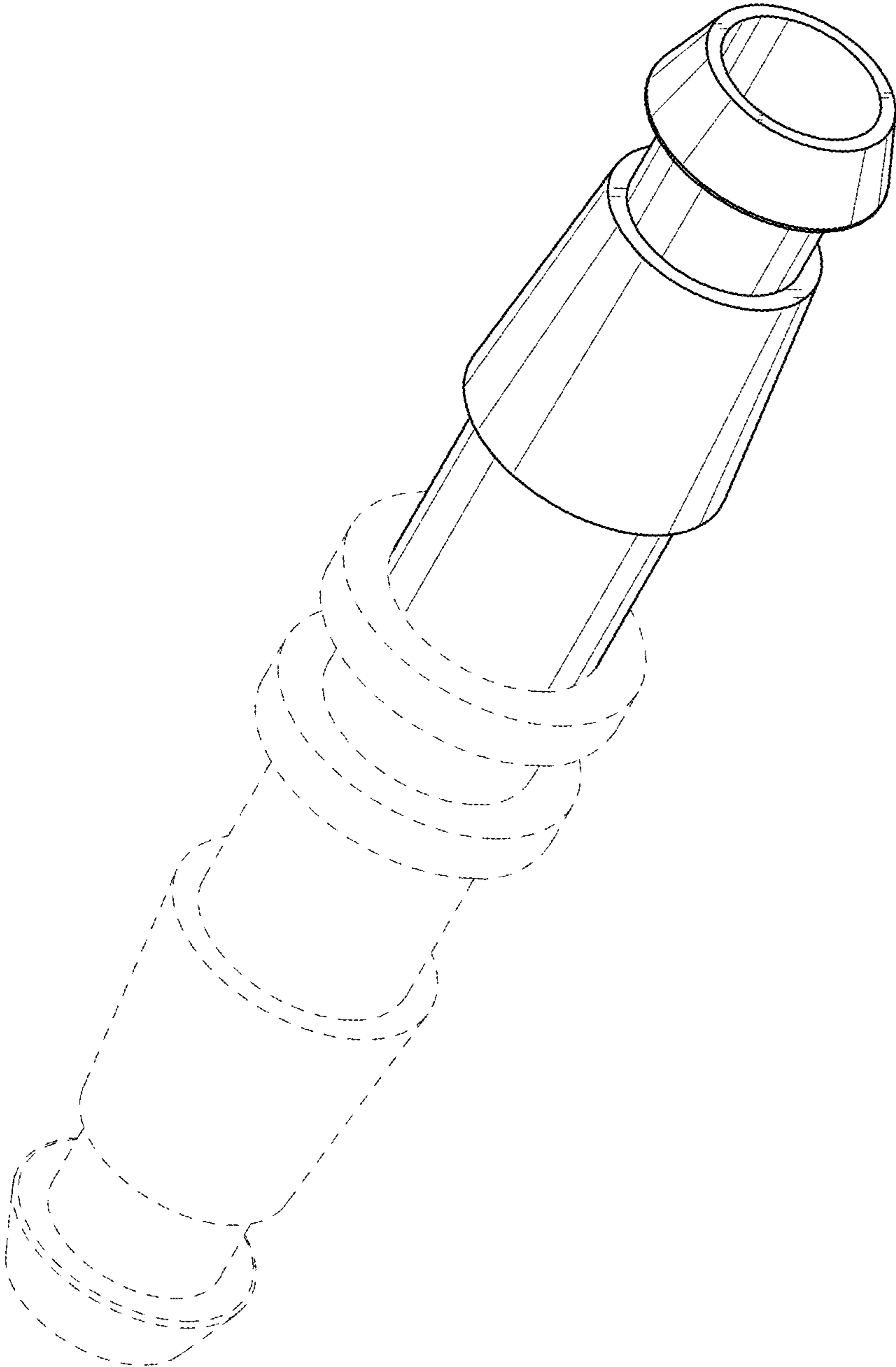


FIG. 5

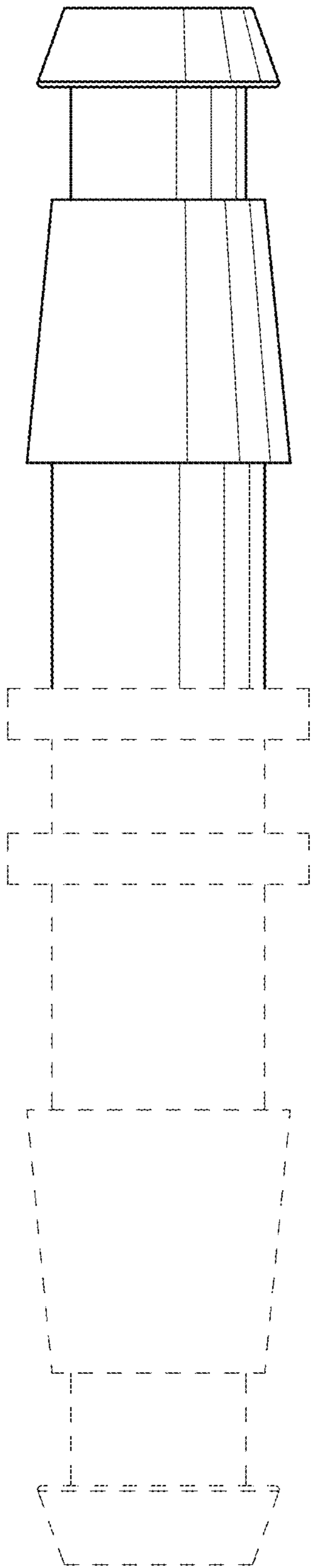


FIG. 6

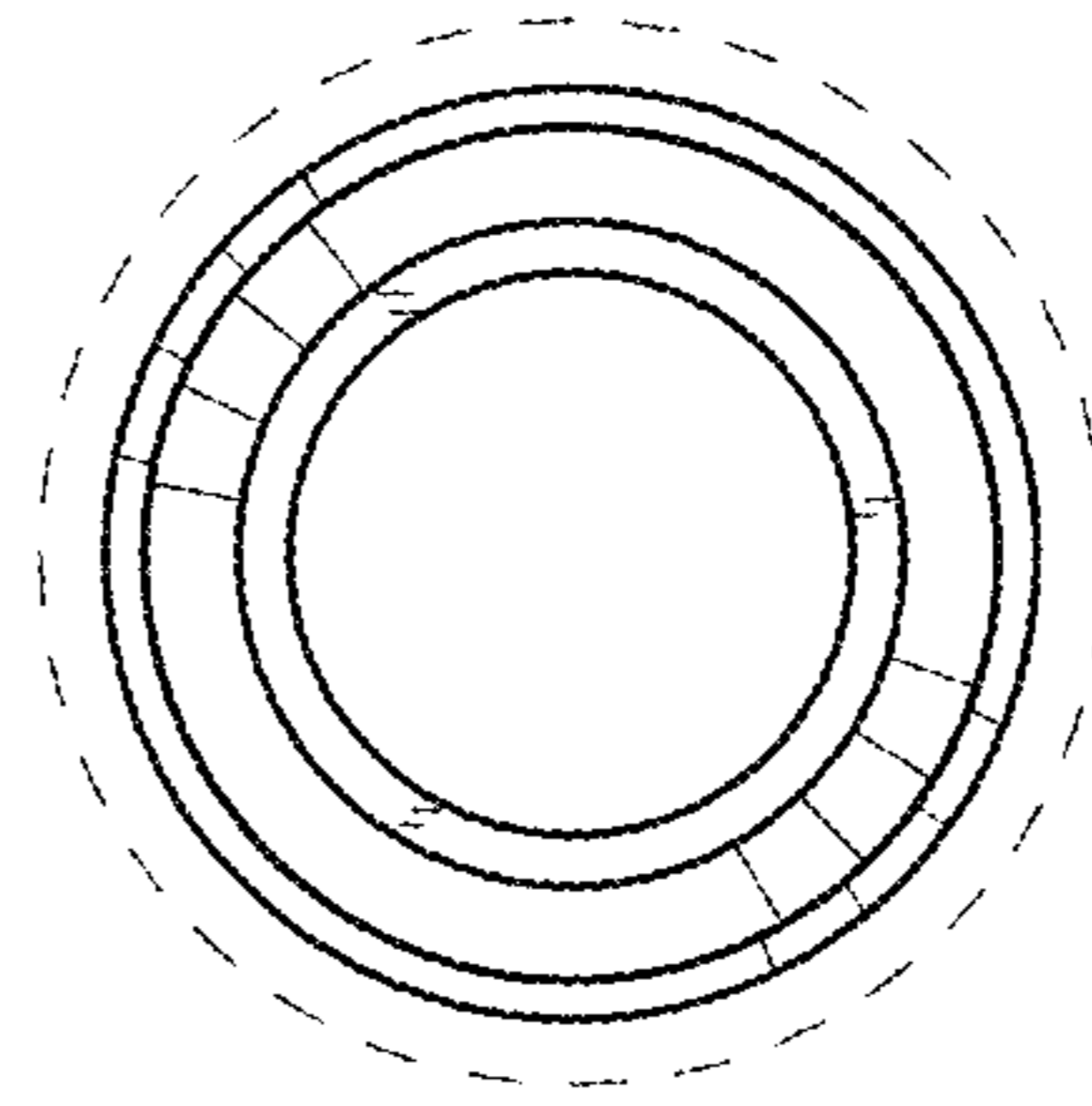


FIG. 8

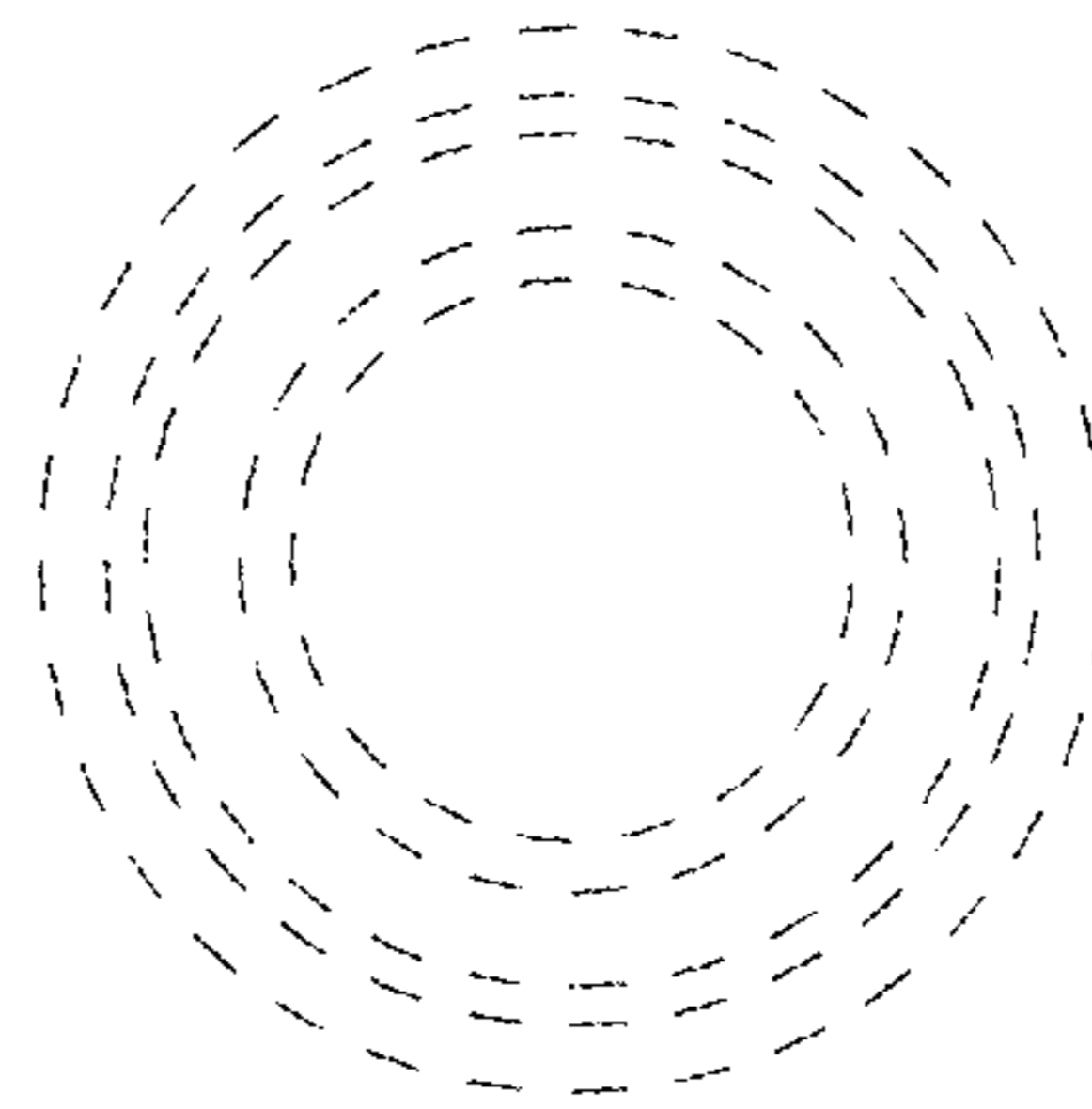


FIG. 7

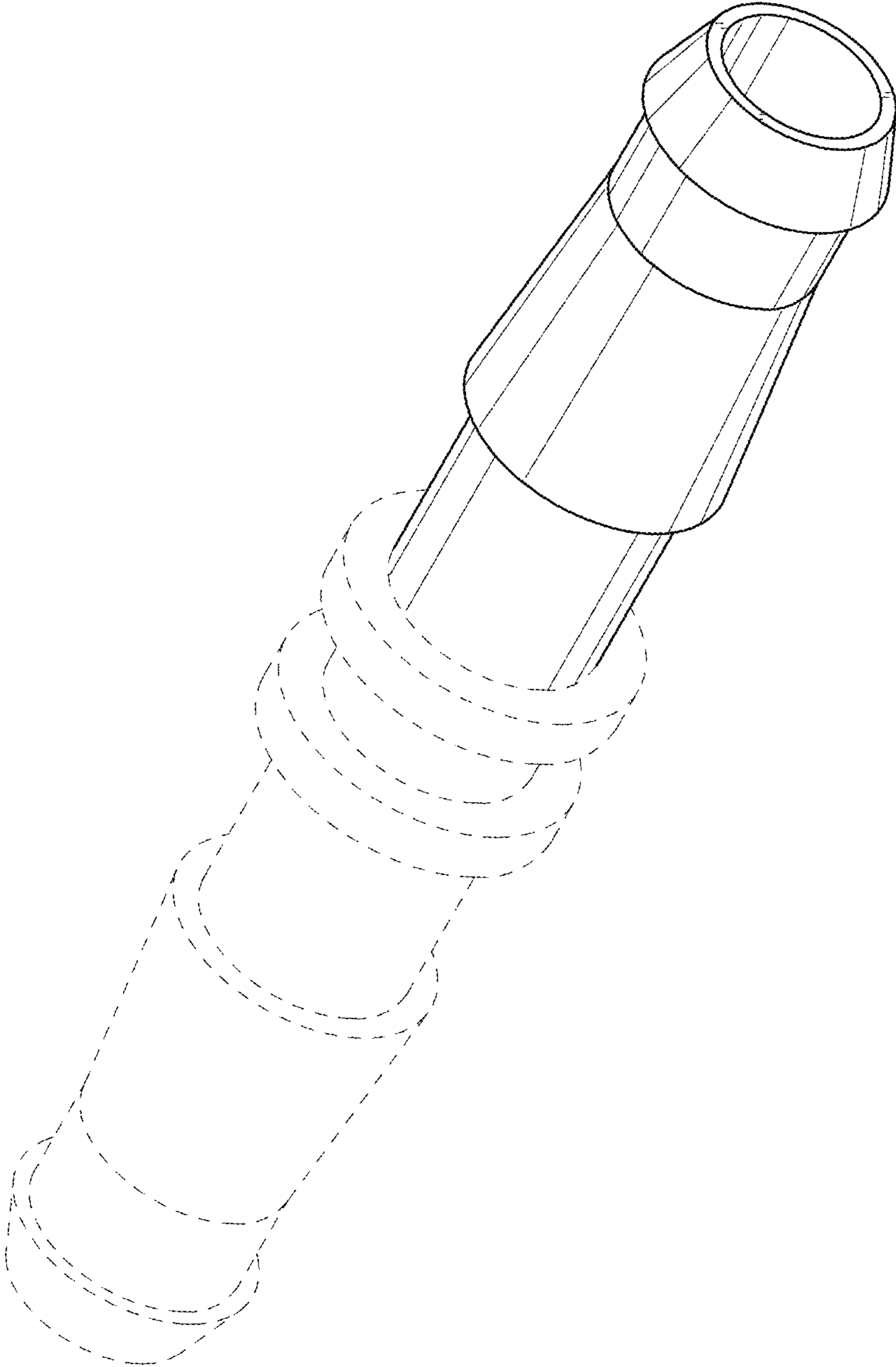


FIG. 9

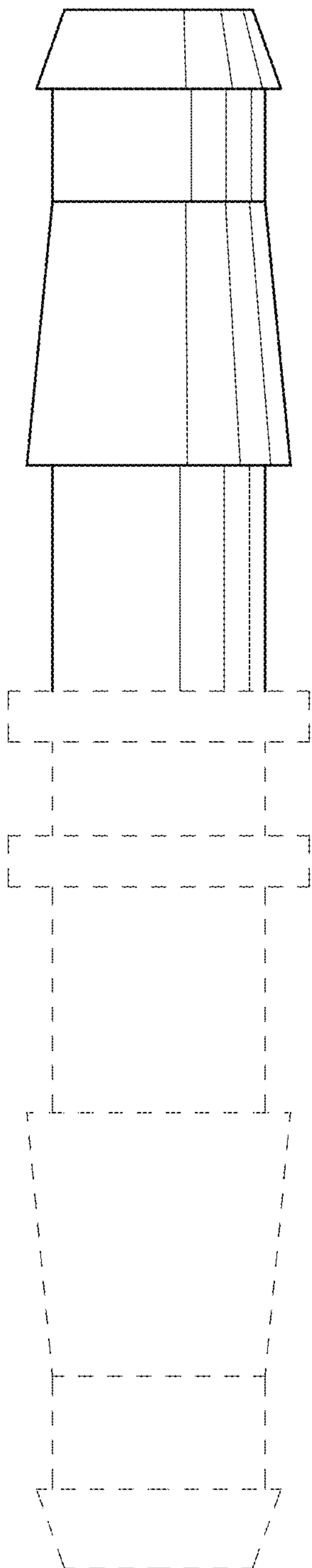


FIG. 10

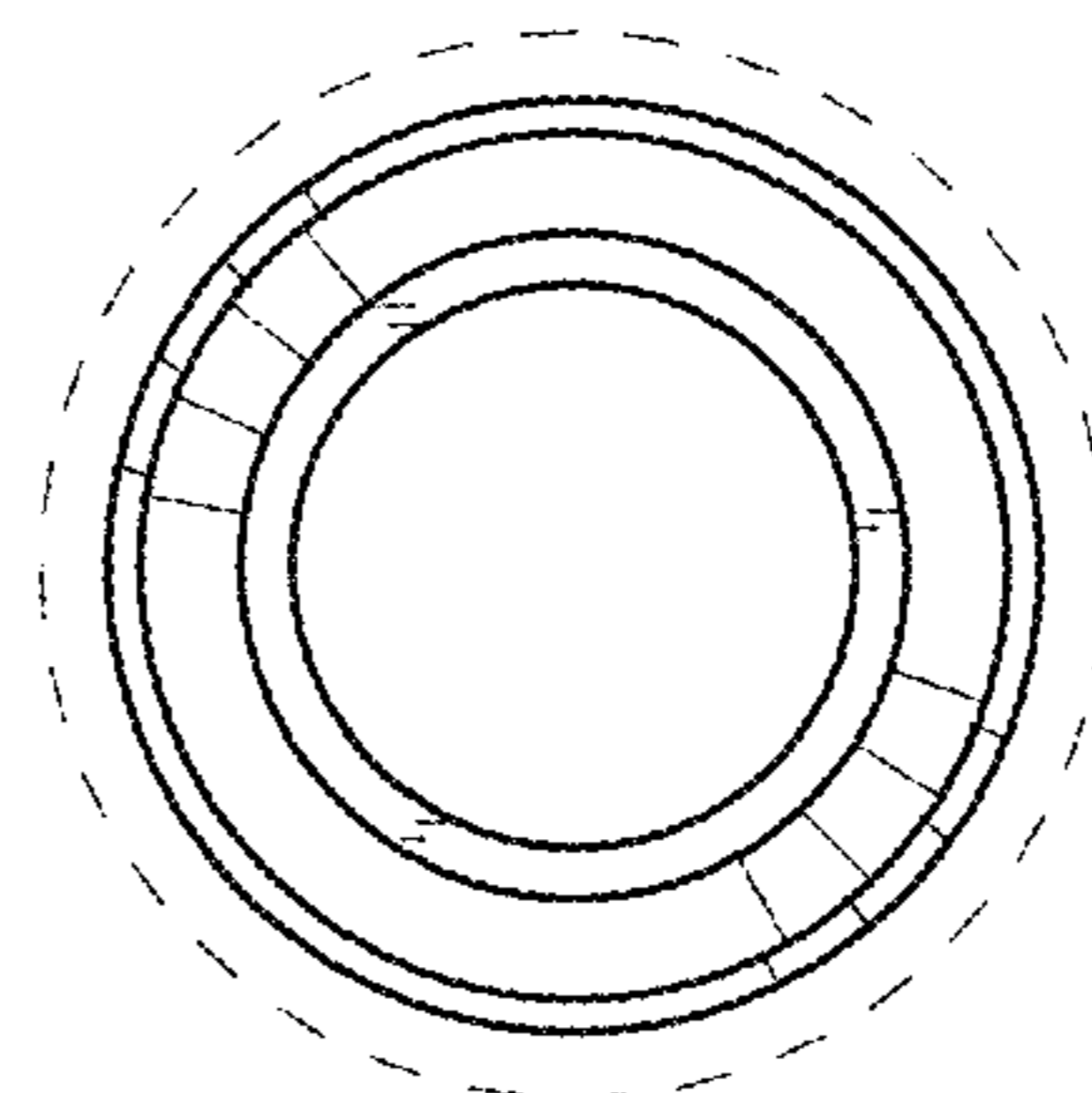


FIG. 12

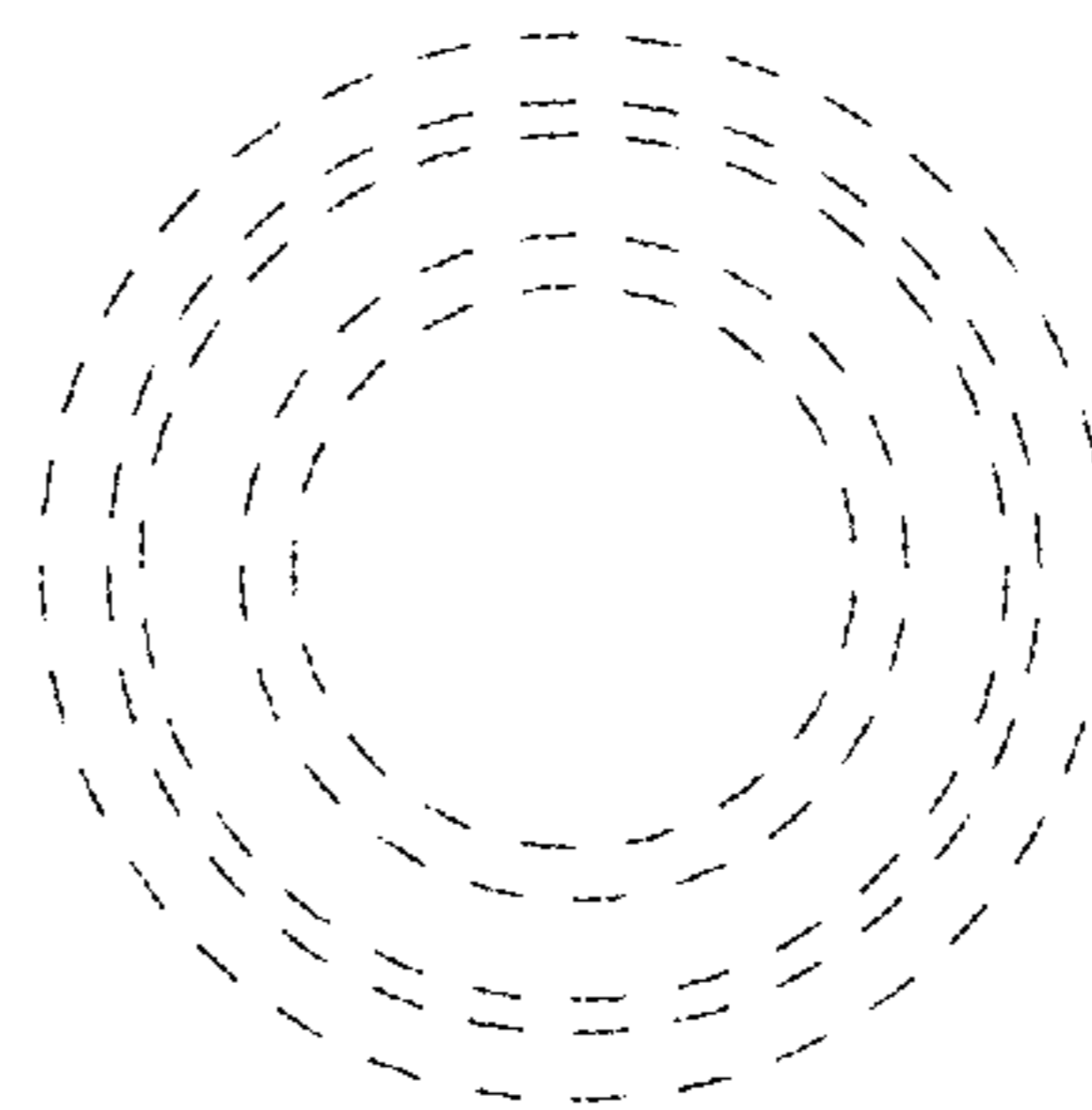


FIG. 11

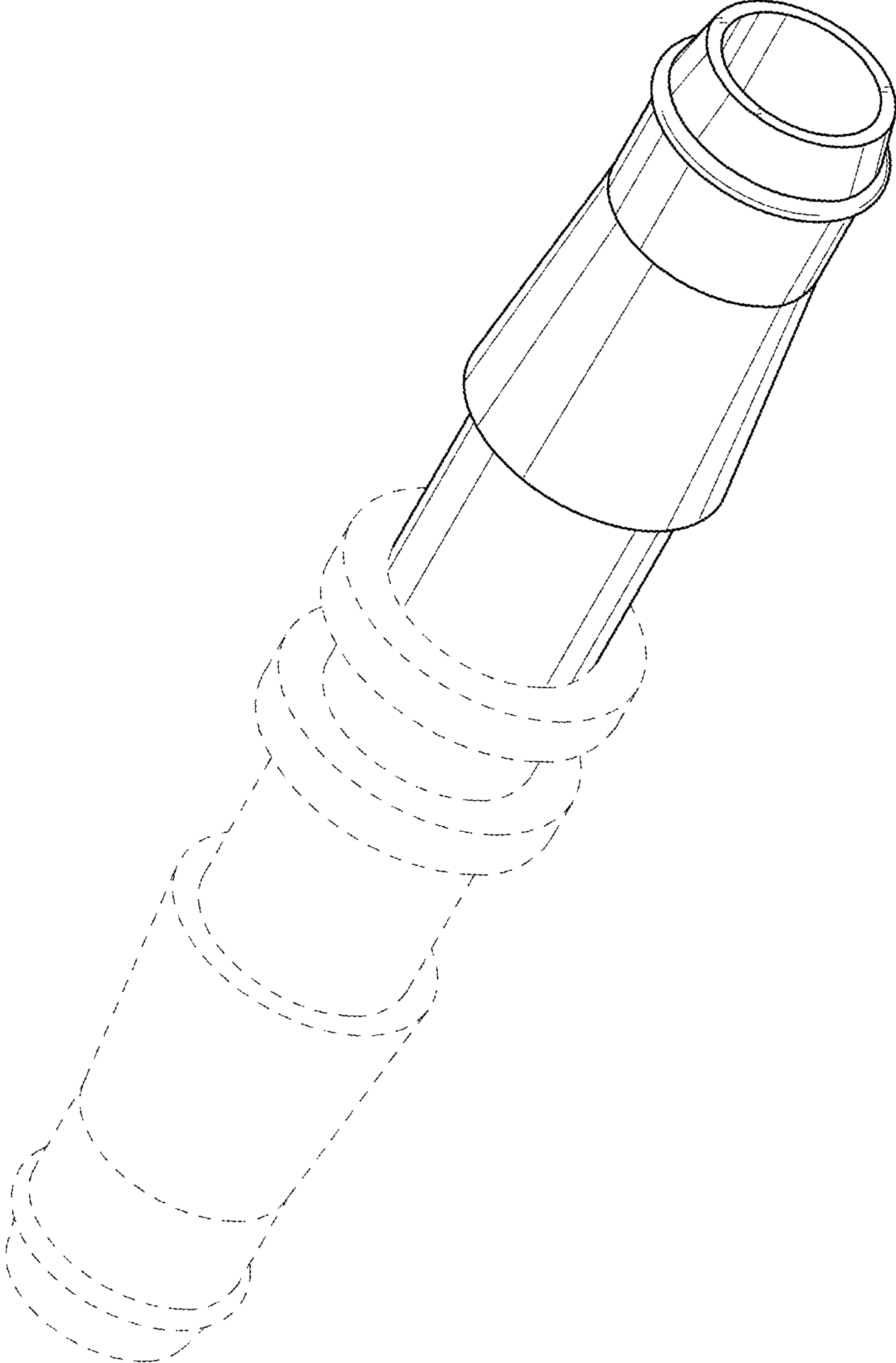


FIG. 13

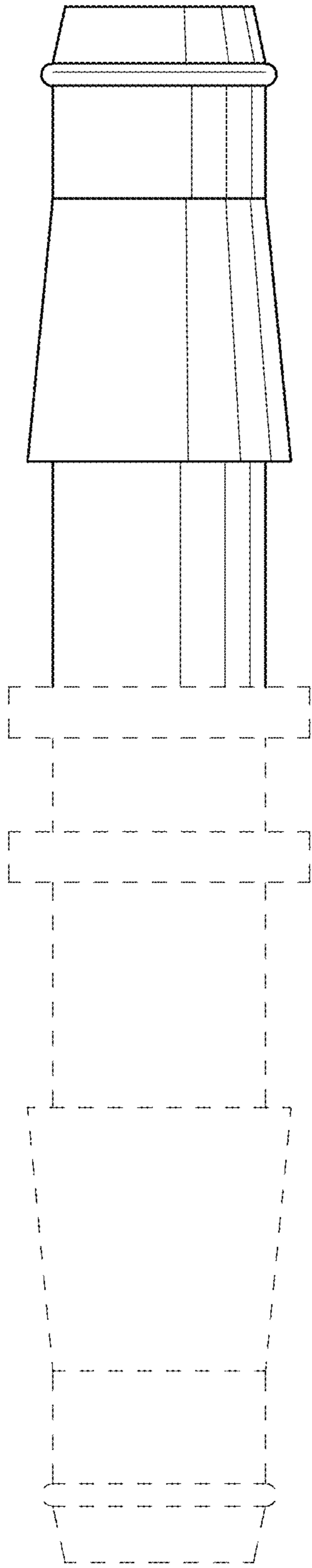


FIG. 14

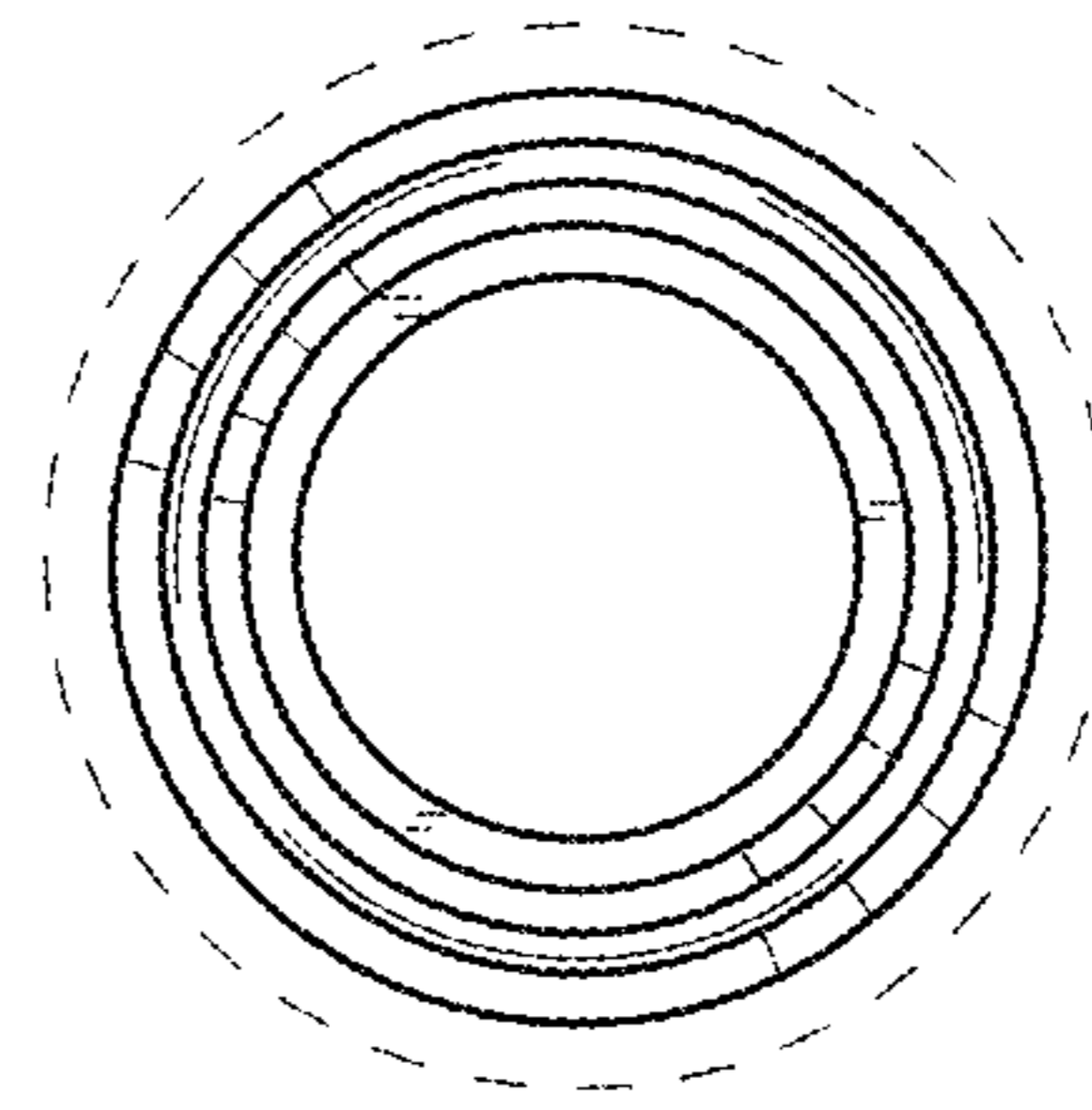


FIG. 16

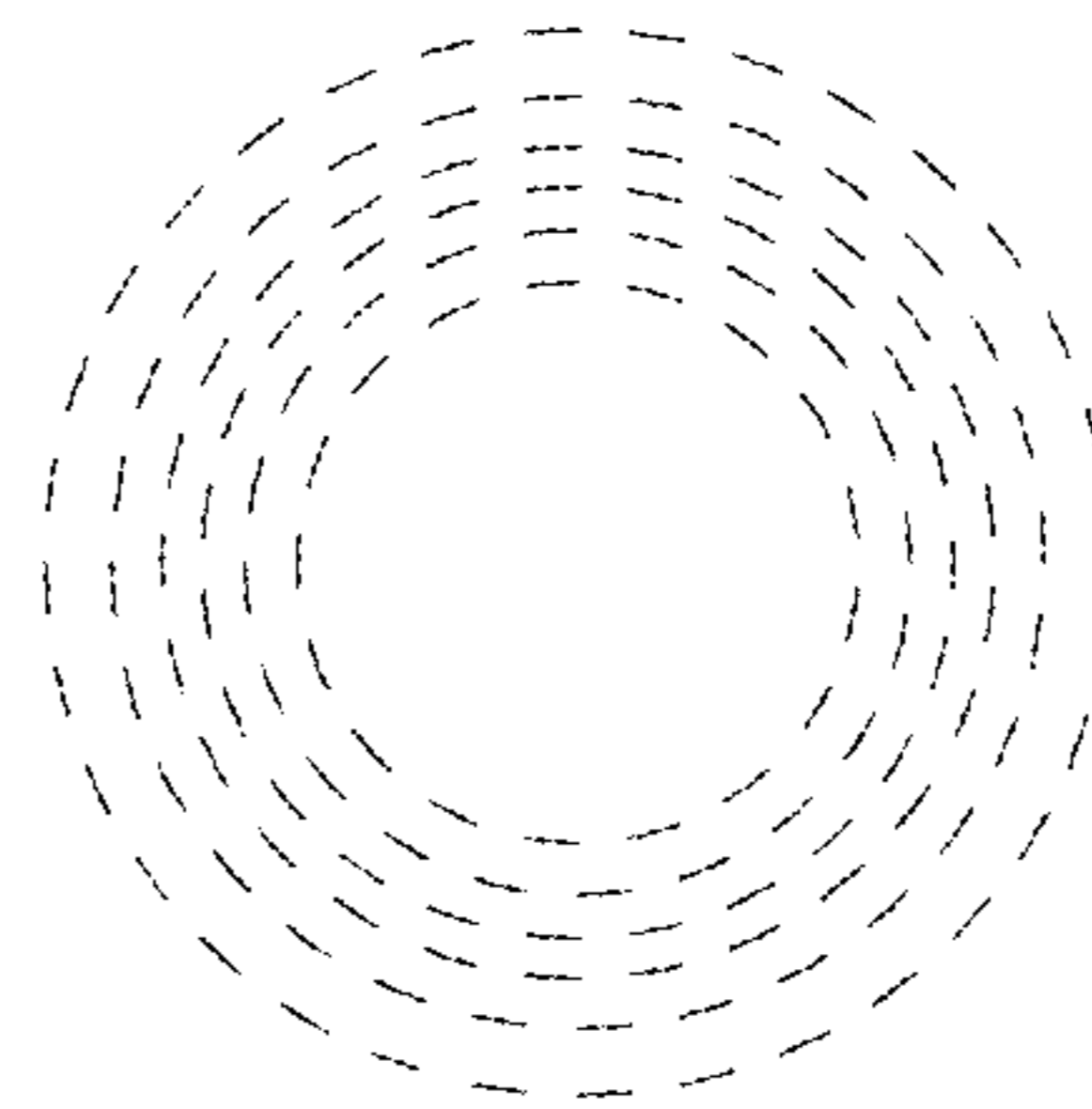


FIG. 15