



US00D733840S

(12) **United States Design Patent**
Butler et al.

(10) **Patent No.:** **US D733,840 S**
(45) **Date of Patent:** **** Jul. 7, 2015**

(54) **ELECTRIC SPRAYER**

(71) Applicant: **Graco Minnesota Inc.**, Minneapolis, MN (US)

(72) Inventors: **Ryan F. Butler**, Brooklyn Park, MN (US); **Kyle A. Bottke**, Faribault, MN (US); **Alexander J. Daeger**, Roseville, MN (US); **Martin P. McCormick**, Forest Lake, MN (US); **Corrine N. Waa**, Minneapolis, MN (US)

(73) Assignee: **Graco Minnesota Inc.**, Minneapolis, MN (US)

(**) Term: **14 Years**

(21) Appl. No.: **29/486,702**

(22) Filed: **Apr. 1, 2014**

(51) **LOC (10) Cl.** **23-01**

(52) **U.S. Cl.**
USPC **D23/225**

(58) **Field of Classification Search**
USPC D23/213, 225; 239/373, 302, 337, 146, 239/147, 150
See application file for complete search history.

(56) **References Cited**

U.S. PATENT DOCUMENTS

4,135,669 A * 1/1979 Bridges et al. 239/373
D560,271 S * 1/2008 Kesti et al. D23/225

D580,518 S * 11/2008 Johnson et al. D23/225
D597,173 S * 7/2009 Mulgrew et al. D23/225
D608,414 S * 1/2010 Legatt et al. D23/225
D616,064 S * 5/2010 Mattson et al. D23/225
D616,065 S * 5/2010 Gundersen et al. D23/225

OTHER PUBLICATIONS

Graco's M680 Mortar Sprayer Instructions—Parts 332612AEN, Copyright 2013.
Graco's Xtreme Packages Instructions—Parts 311164HEN, Revised Apr. 2012.
Information on Ningbo Dino-Power Machinery Co., Ltd's DP Airless Sprayer Systems, pulled from Internet Apr. 10, 2014.
Information on BINKS MX3560, pulled from Internet Apr. 10, 2014.

* cited by examiner

Primary Examiner — Robin V Webster

(74) *Attorney, Agent, or Firm* — Douglas B. Farrow

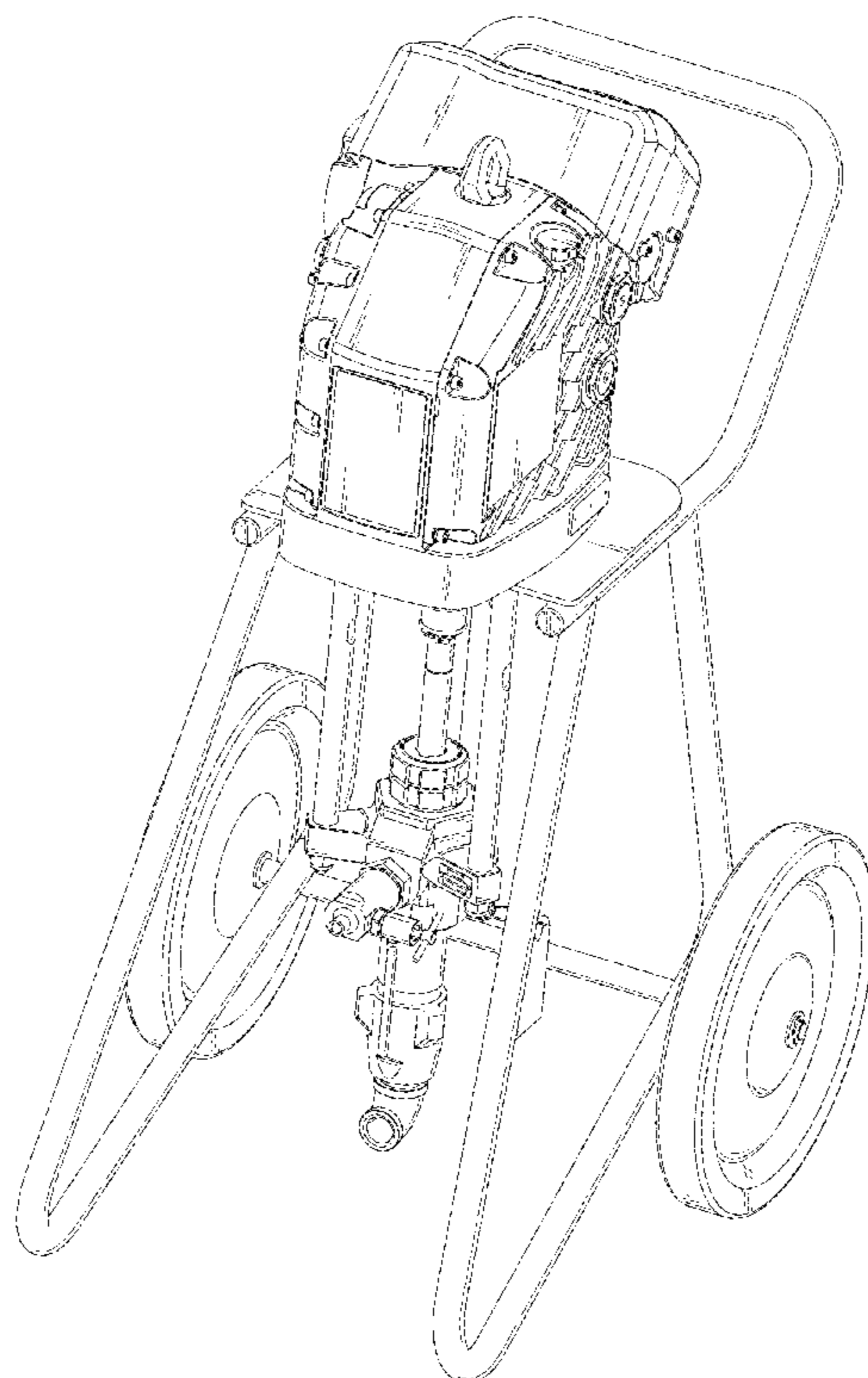
(57) **CLAIM**

The ornamental design for an electric sprayer, as shown and described.

DESCRIPTION

FIG. 1 is a front right isometric view of an electric sprayer; FIG. 2 is a top view thereof; FIG. 3 is a front view thereof; FIG. 4 is a right side view thereof; FIG. 5 is a rear view thereof; FIG. 6 is a left side view thereof; and, FIG. 7 is a bottom view of an electric sprayer.

1 Claim, 7 Drawing Sheets



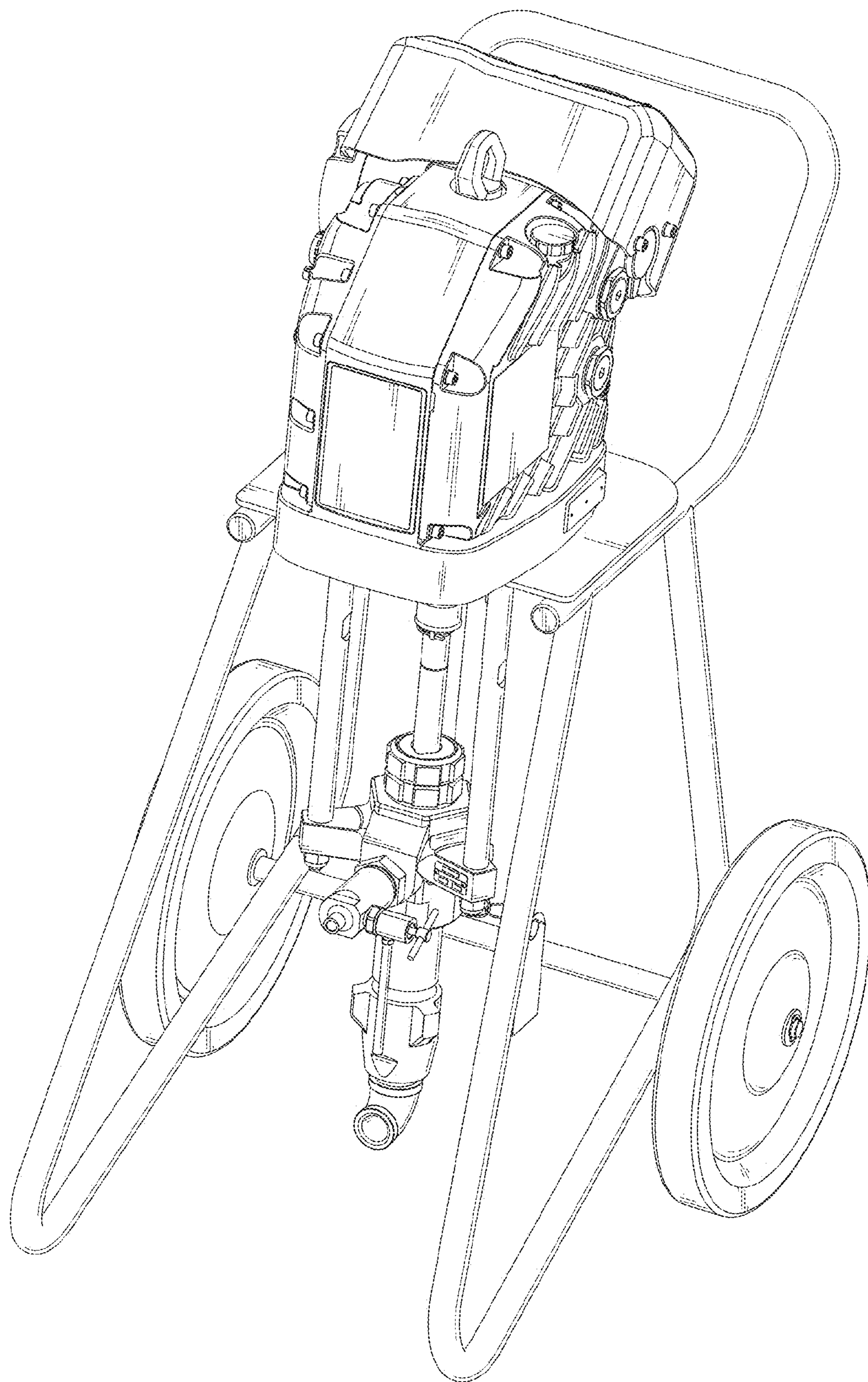


FIG. 1

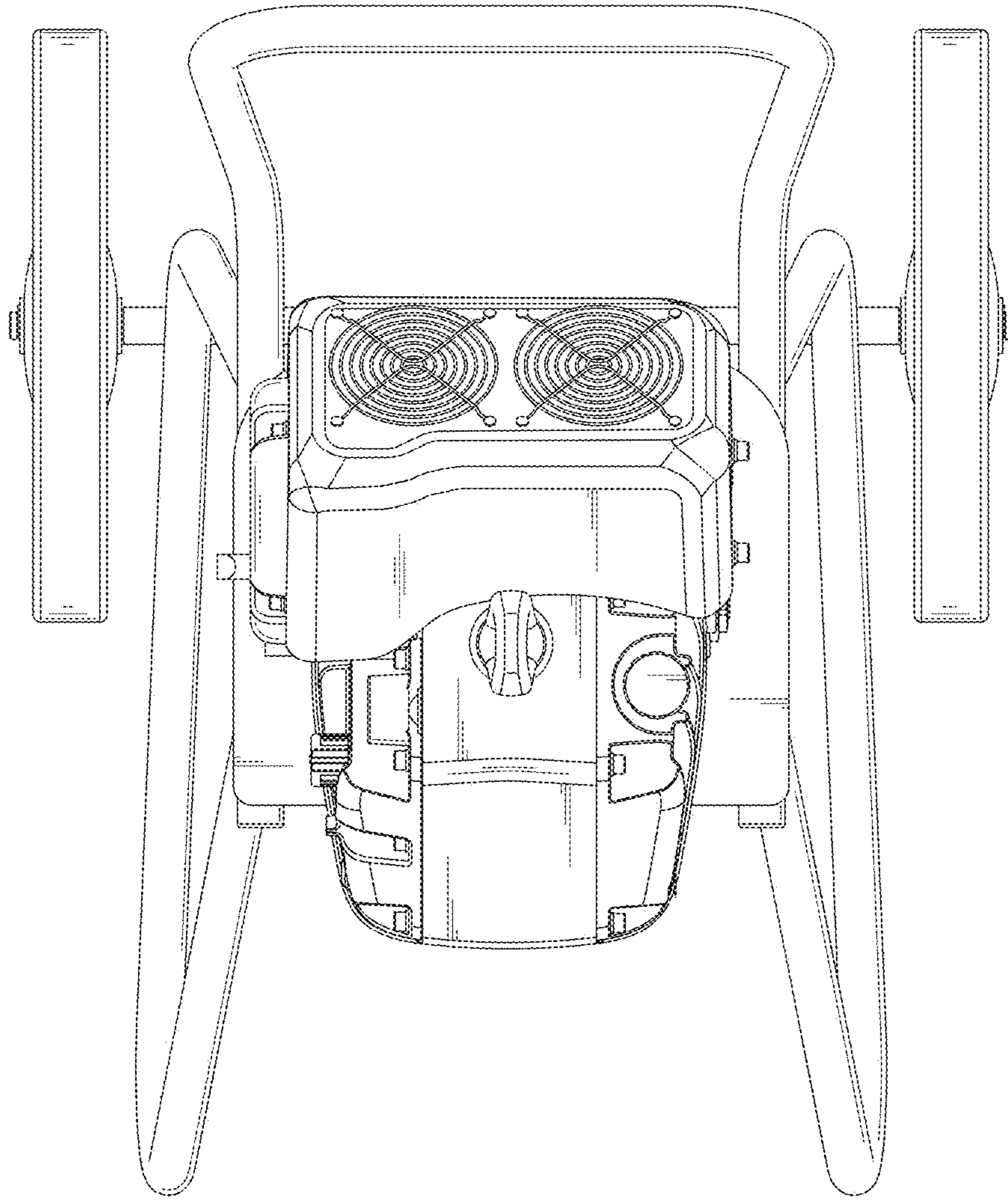


FIG. 2

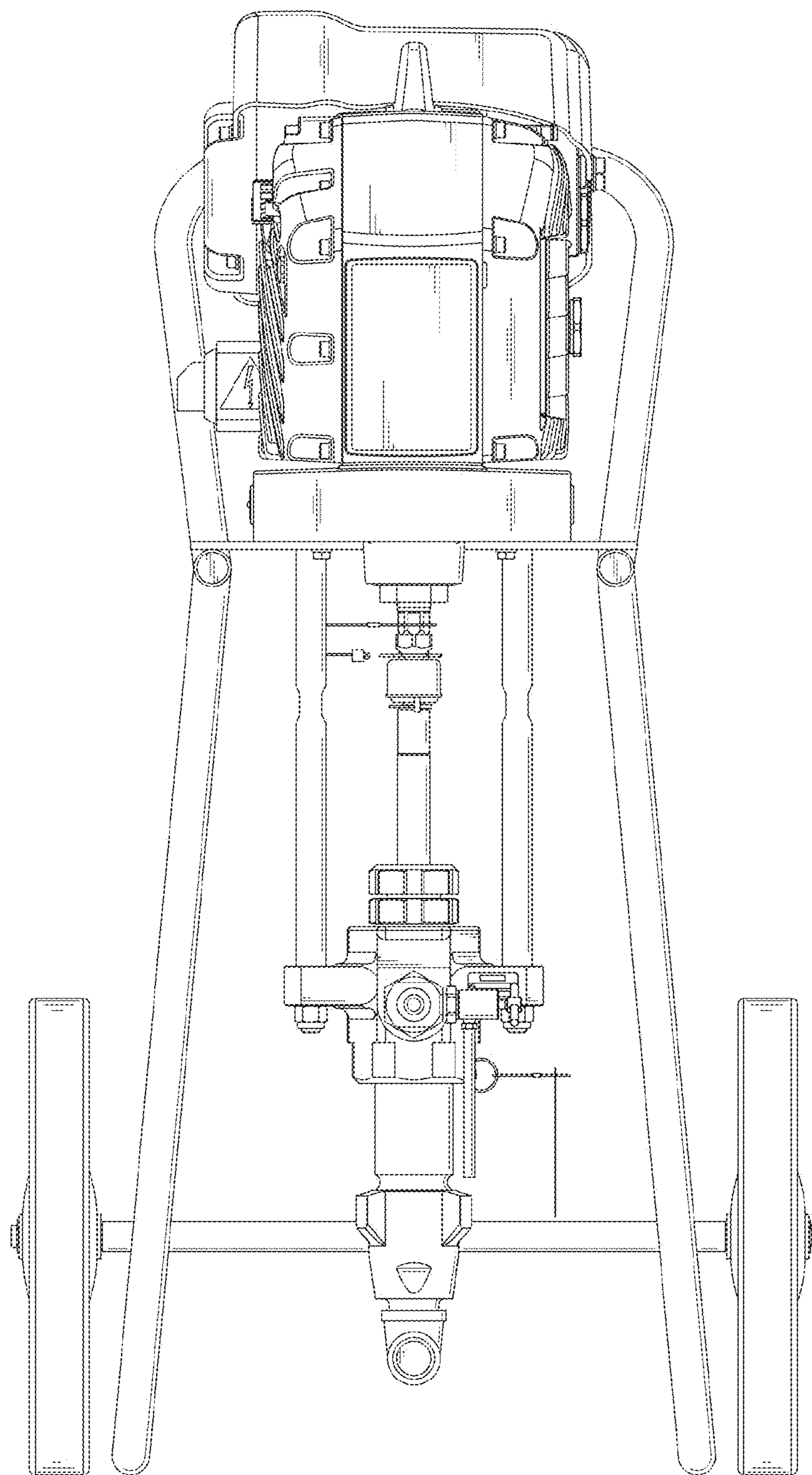


FIG. 3

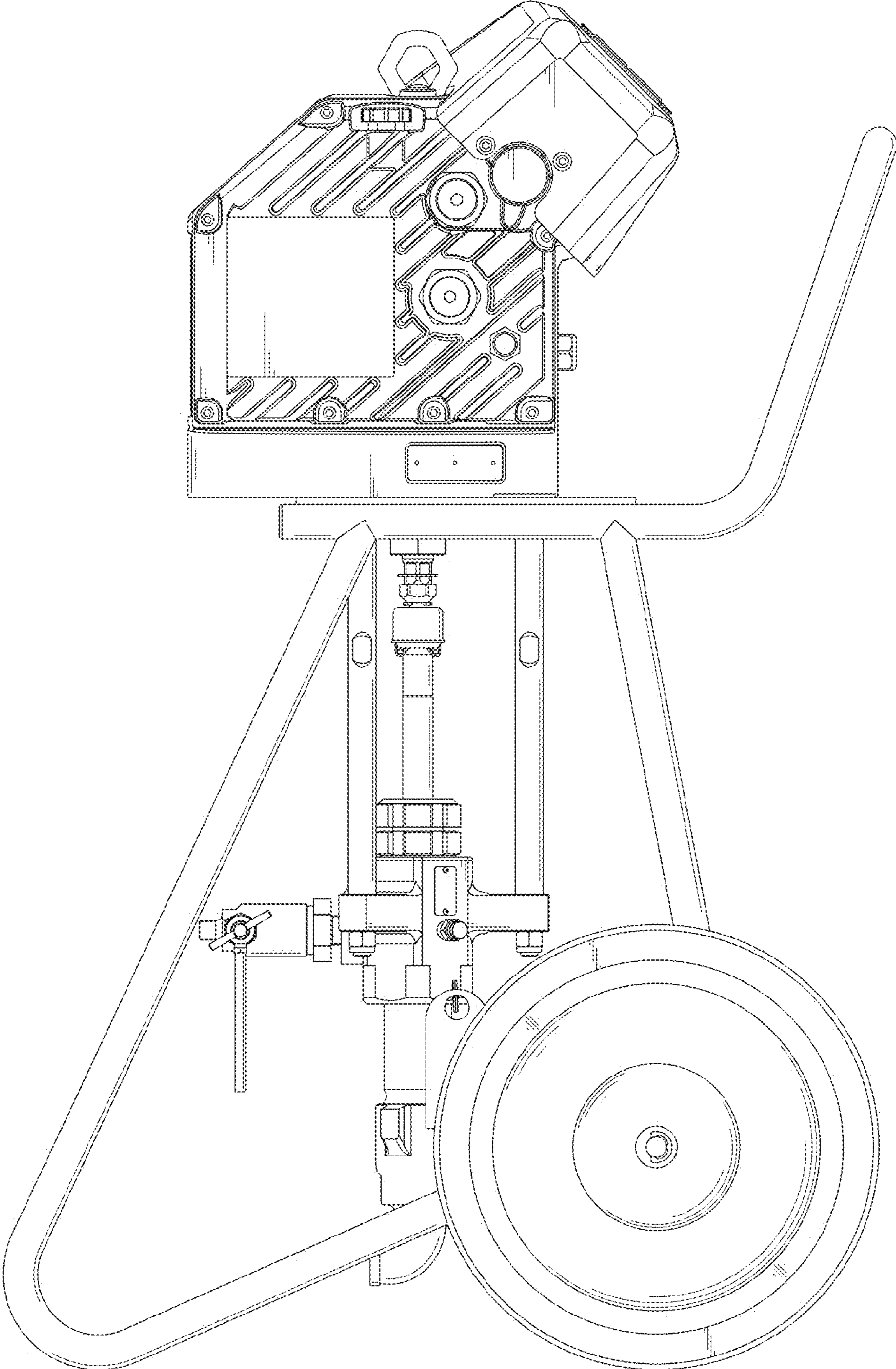


FIG. 4

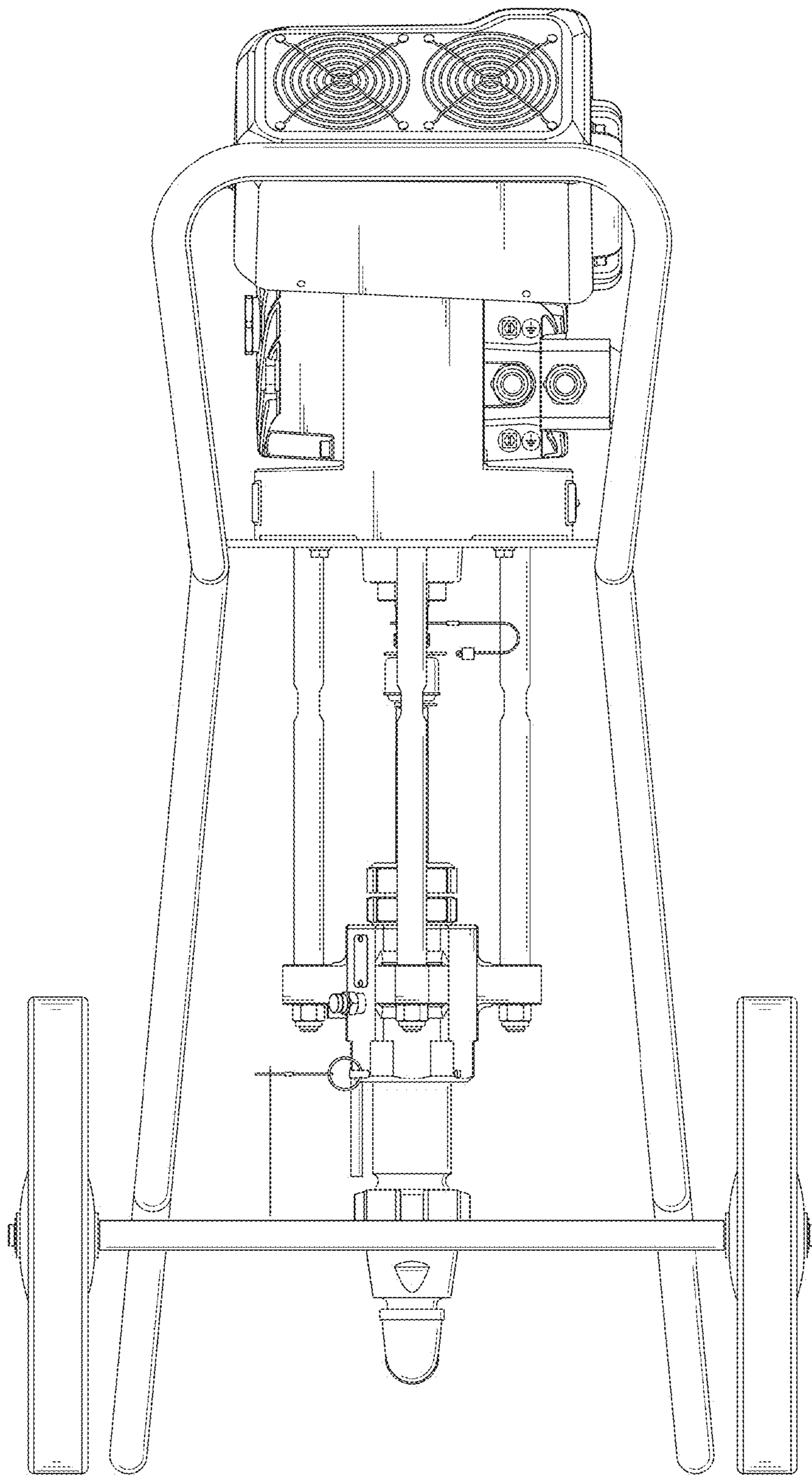


FIG. 5

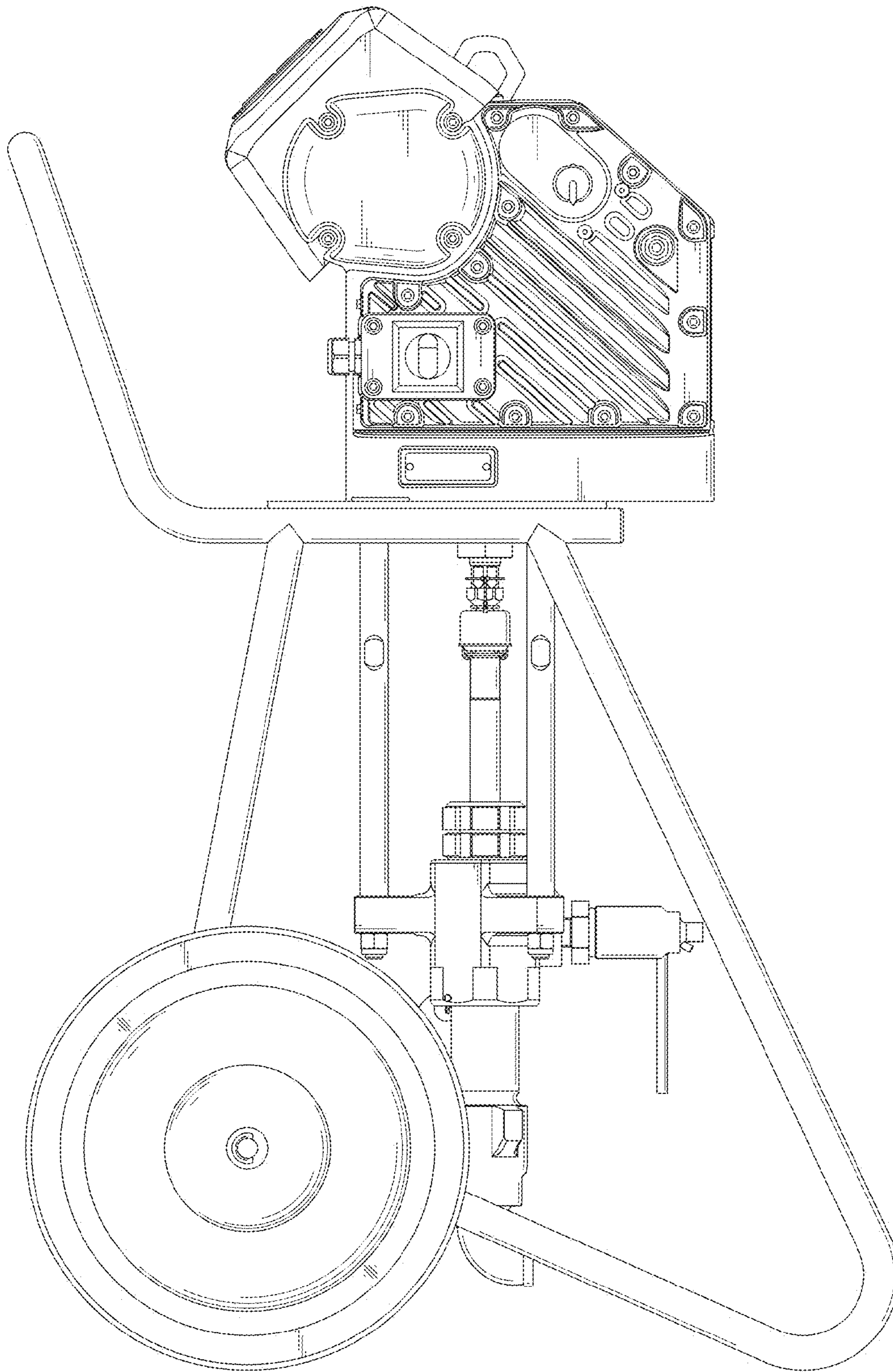


FIG. 6

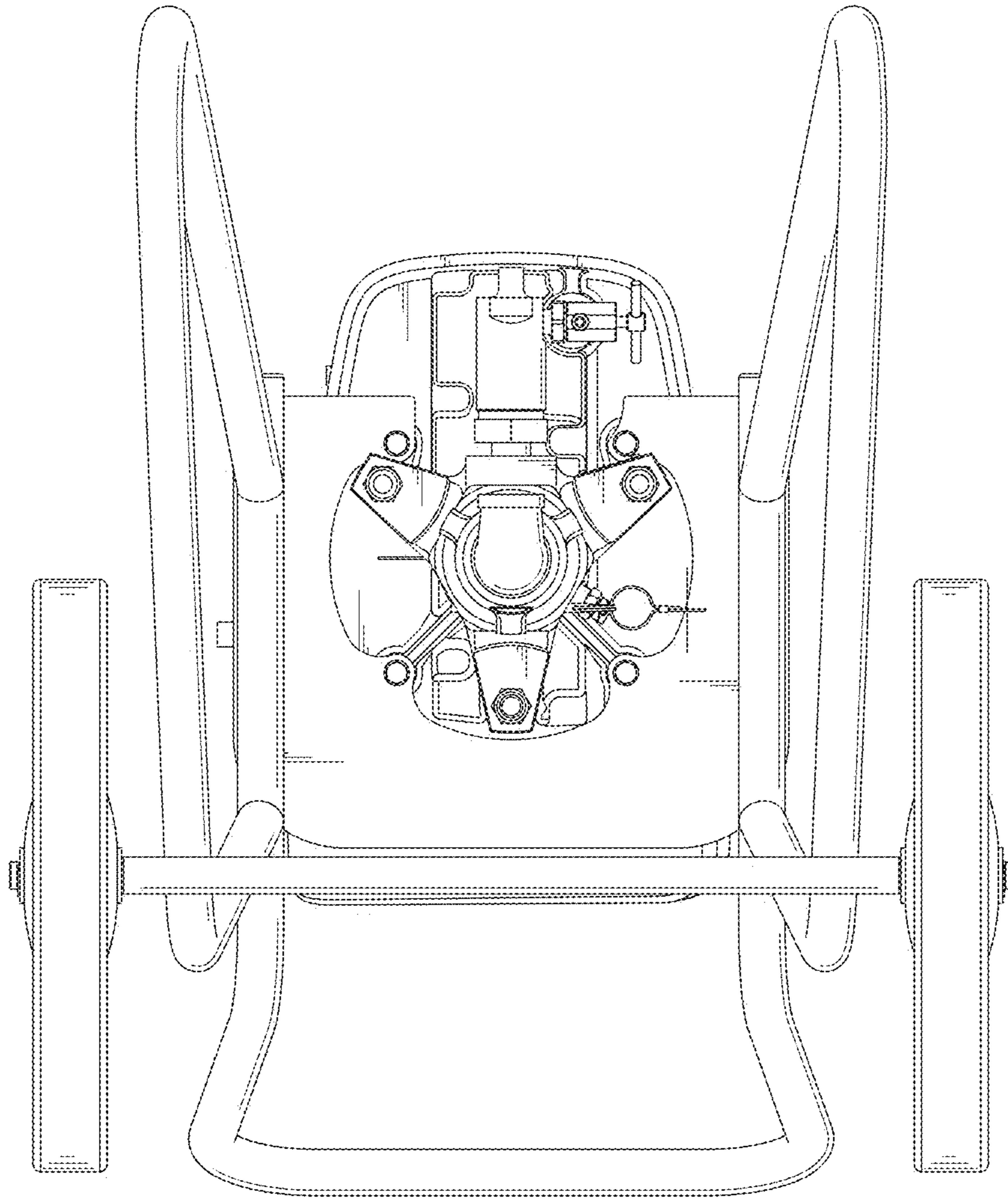


FIG. 7