



US00D733838S

(12) **United States Design Patent**
Simmons et al.

(10) **Patent No.:** **US D733,838 S**

(45) **Date of Patent:** **** Jul. 7, 2015**

(54) **GLASS FISHING TACKLE**

(71) Applicants: **David L. Simmons**, Sevierville, TN
(US); **Jason Simmons**, Sevierville, TN
(US)

(72) Inventors: **David L. Simmons**, Sevierville, TN
(US); **Jason Simmons**, Sevierville, TN
(US)

(**) Term: **14 Years**

(21) Appl. No.: **29/482,761**

(22) Filed: **Feb. 21, 2014**

(51) **LOC (10) Cl.** **22-05**

(52) **U.S. Cl.**
USPC **D22/144**

(58) **Field of Classification Search**
USPC D22/126-133, 144; 43/17.6, 42.32,
43/42.33, 42.1, 42.28, 42.36, 42.37, 42.39
See application file for complete search history.

(56) **References Cited**

U.S. PATENT DOCUMENTS

1,557,083	A	10/1925	Peckinpaugh	
2,817,922	A	12/1957	Takeshita	
3,032,911	A	5/1962	Wilhelmi	
D247,571	S	3/1978	Foster	
4,893,431	A	1/1990	Ehlers	
5,175,955	A *	1/1993	Wilson et al.	43/42.36
5,222,321	A	6/1993	Lu	
5,245,783	A	9/1993	Cumiskey	

(Continued)

Primary Examiner — Catheri Oliver-Garcia

(74) *Attorney, Agent, or Firm* — Knox Patents; Thomas A. Kulaga

(57) **CLAIM**

The ornamental design for a glass fishing tackle, as shown and described.

DESCRIPTION

FIG. 1 is a perspective view of one embodiment of a glass fishing tackle with a fish hook and eyes.

FIG. 2 is a right side view thereof, the left side view being a mirror image of the right side.

FIG. 3 is a top view thereof.

FIG. 4 is a bottom view thereof.

FIG. 5 is a rear view thereof.

FIG. 6 is a front view thereof.

FIG. 7 is a right side view of an embodiment of a glass fishing tackle with a fish hook and a weed guard.

FIG. 8 is a left side view of an embodiment of a glass fishing tackle with a fish hook and a spoon.

FIG. 9 is a right side view of a second embodiment of a glass fishing tackle with a fish hook, the left side view being a mirror image of the right side.

FIG. 10 is a top view of the fishing tackle of FIG. 9.

FIG. 11 is a bottom view of the glass fishing tackle of FIG. 9.

FIG. 12 is a rear view of the glass fishing tackle of FIG. 9.

FIG. 13 is a front view of the glass fishing tackle of FIG. 9.

FIG. 14 is a right side view the glass fishing tackle of FIG. 9 with a fish hook extending upwards from the top.

FIG. 15 is a perspective view of a glass third embodiment of a glass fishing tackle with a fish hook.

FIG. 16 is a right side view of the glass fishing tackle of FIG. 15, the left side view being a mirror image of the right side.

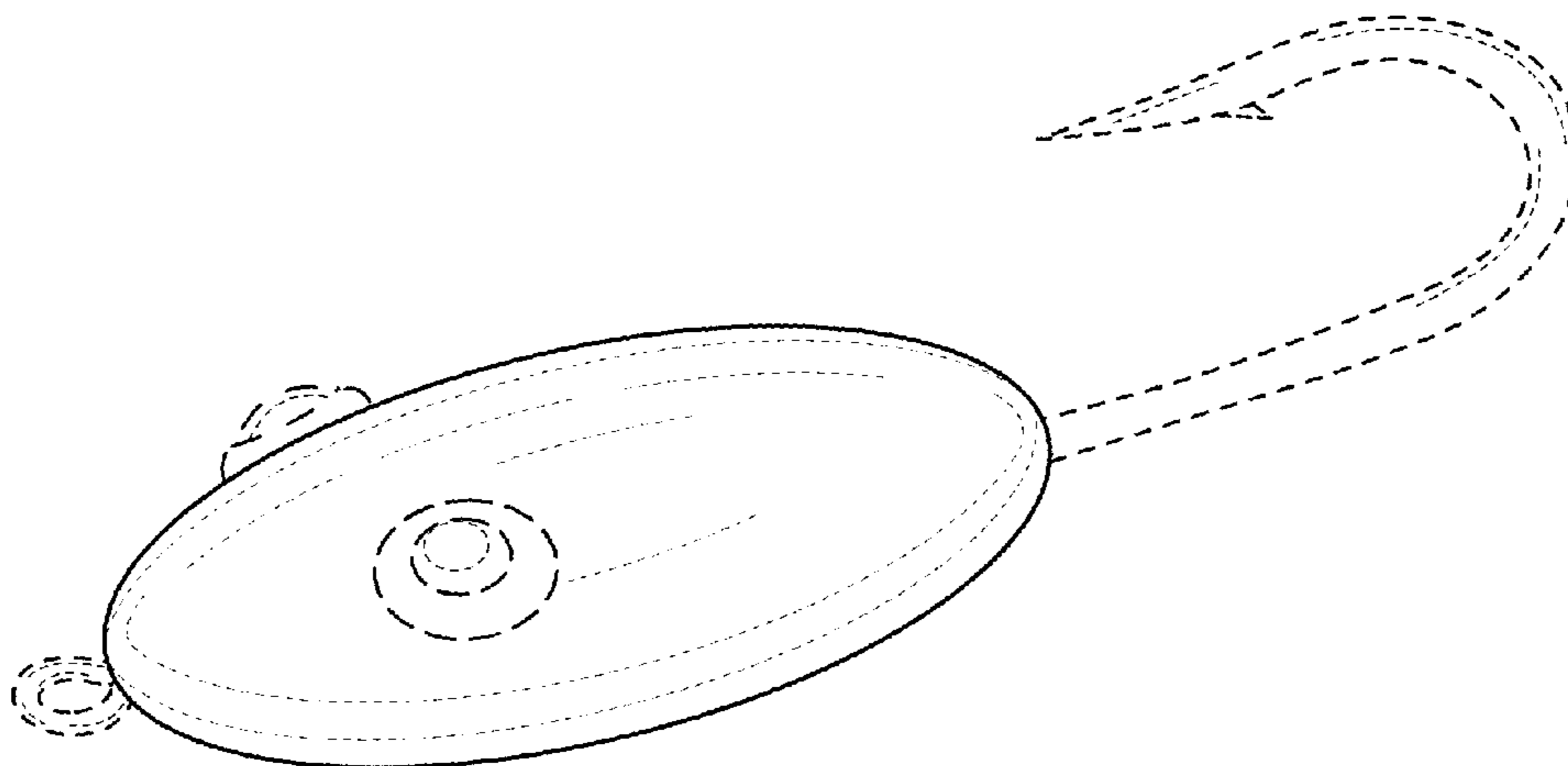
FIG. 17 is a top view of the glass fishing tackle of FIG. 15.

FIG. 18 is a bottom view of the glass fishing tackle of FIG. 15.

FIG. 19 is a rear view of the glass fishing tackle of FIG. 15; and,

FIG. 20 is a front view of the glass fishing tackle of FIG. 15. The broken lines are for illustrative purposes only and form no part of the claimed design.

1 Claim, 6 Drawing Sheets



(56)

References Cited

U.S. PATENT DOCUMENTS

5,377,443 A * 1/1995 Giray et al. 43/44.9
D390,623 S 2/1998 Phelps
D405,497 S * 2/1999 Phelps D22/126
D405,863 S * 2/1999 Laney D22/126
6,519,894 B1 * 2/2003 Geary 43/42.1
D488,206 S 4/2004 Becker
D510,976 S 10/2005 Becker

D511,368 S 11/2005 Becker
D523,108 S 6/2006 Stacey
D537,500 S 2/2007 Becker
D544,068 S 6/2007 Becker
7,260,913 B2 8/2007 Becker
D581,480 S 11/2008 Simmons et al.
D642,237 S 7/2011 Simmons
8,196,337 B2 6/2012 Simmons
D687,122 S 7/2013 Simmons

* cited by examiner

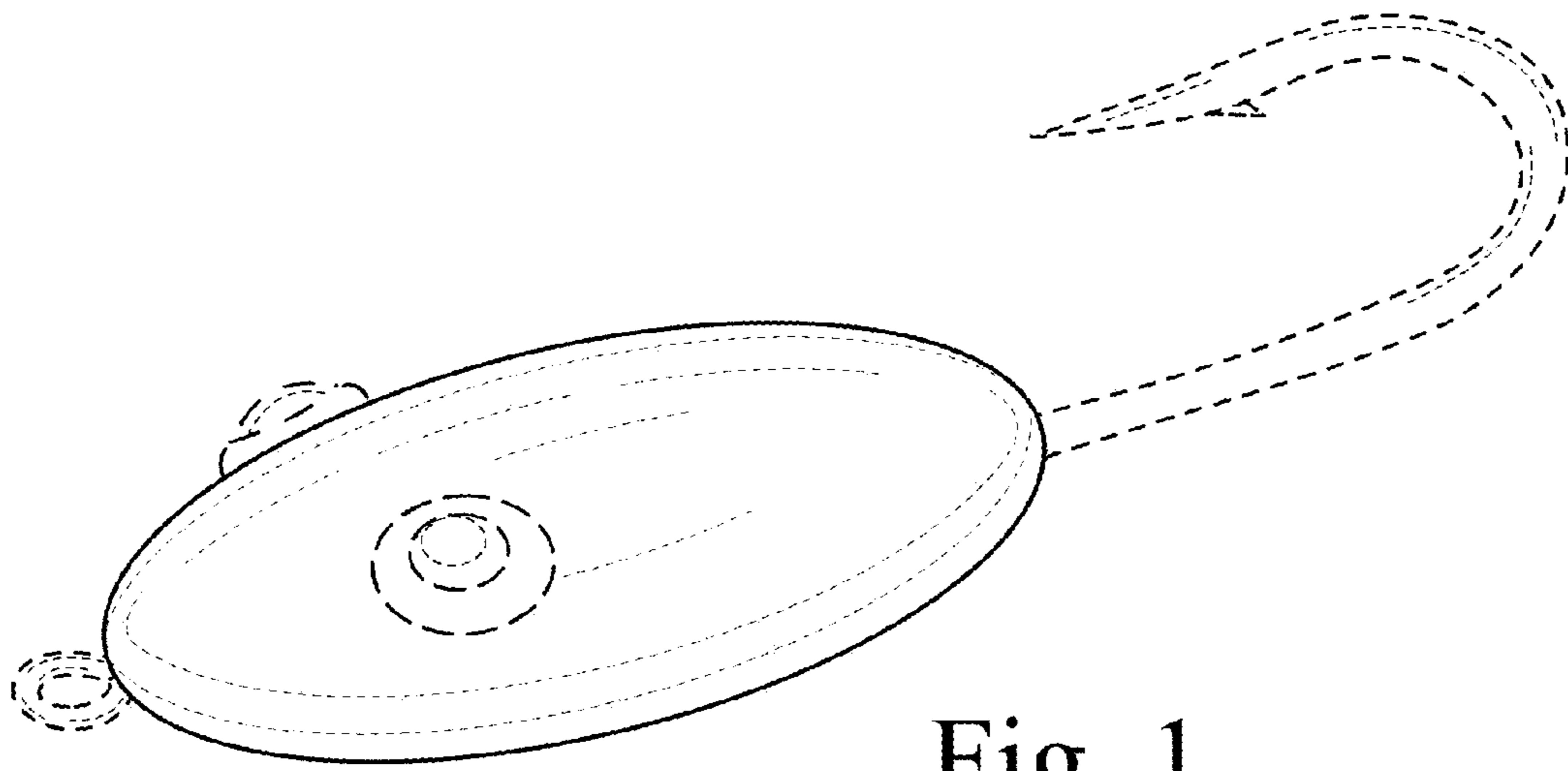


Fig. 1

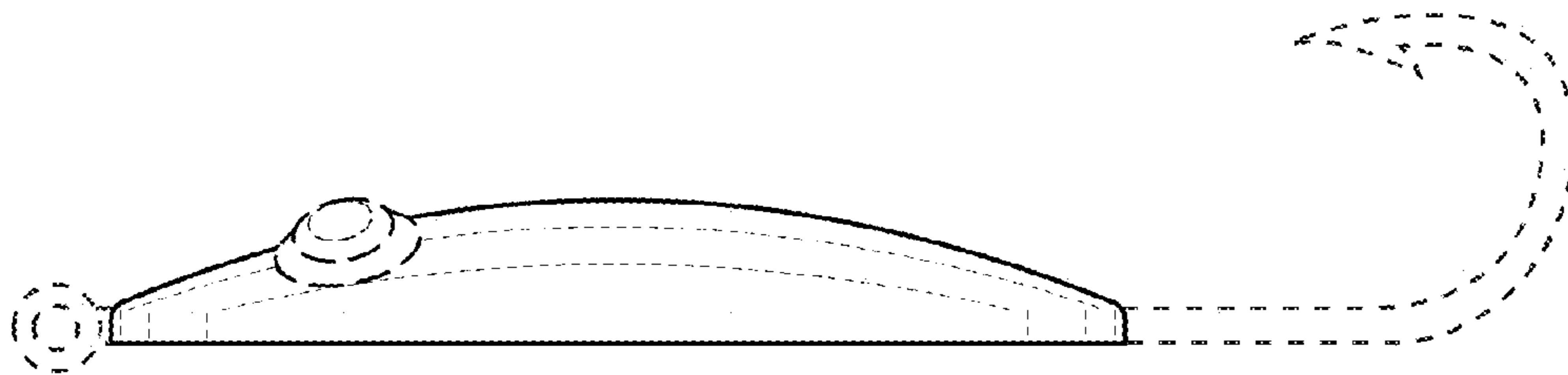


Fig. 2

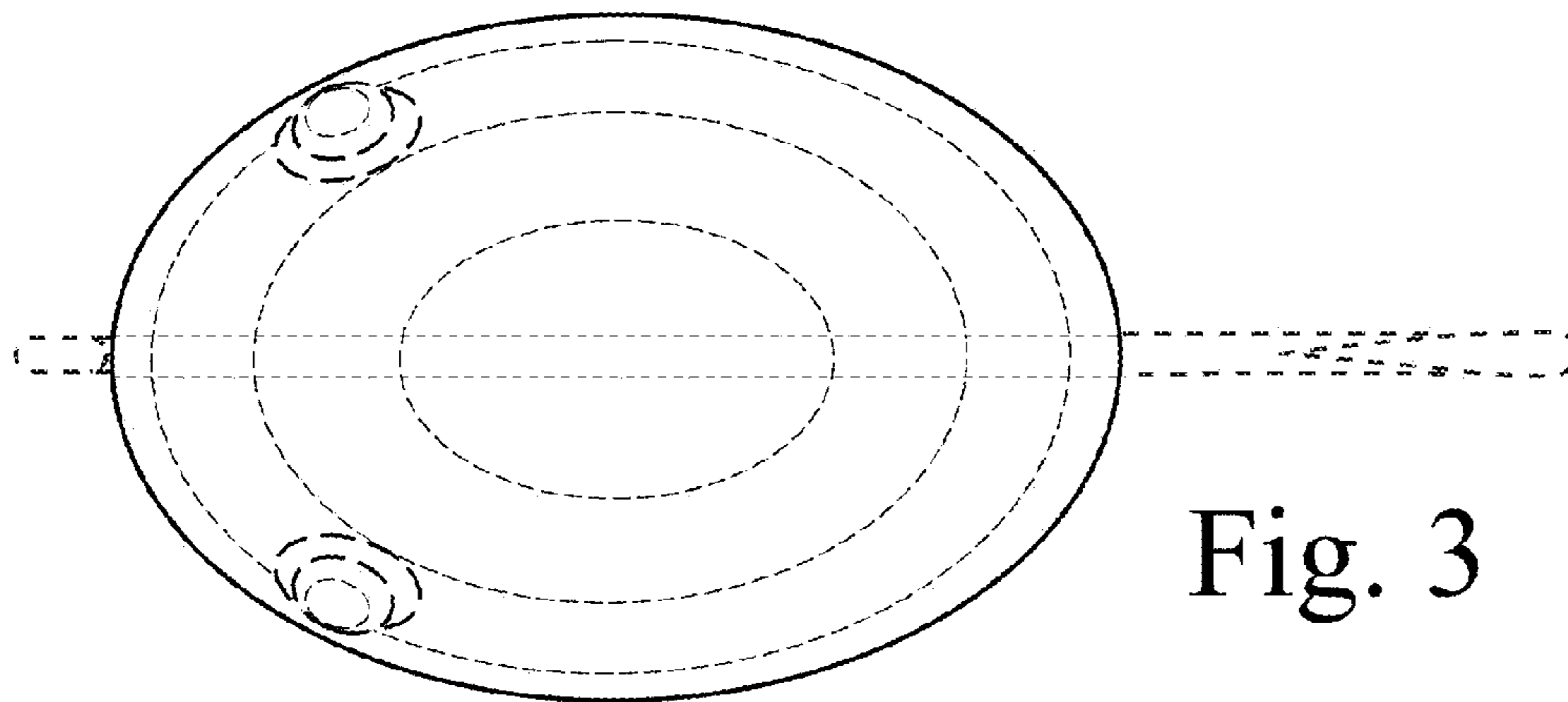


Fig. 3

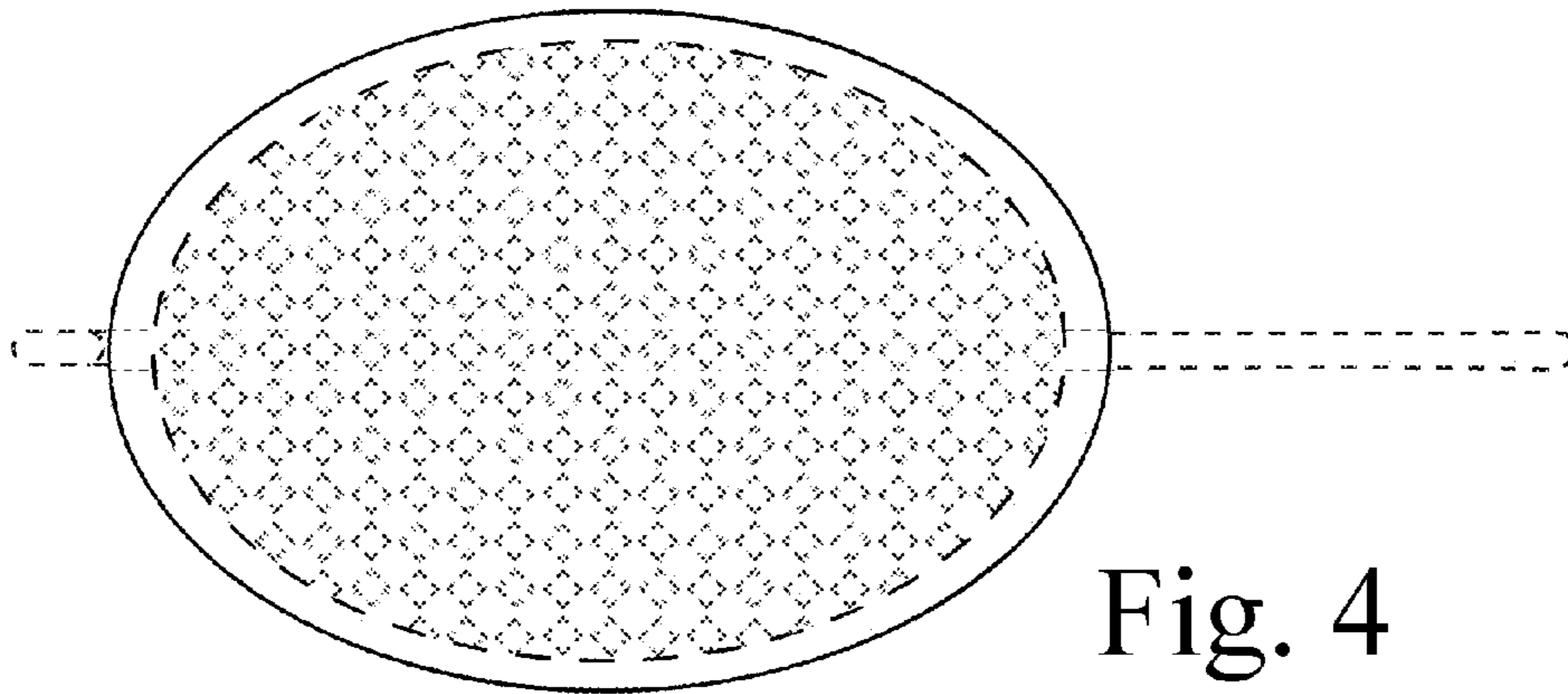


Fig. 4

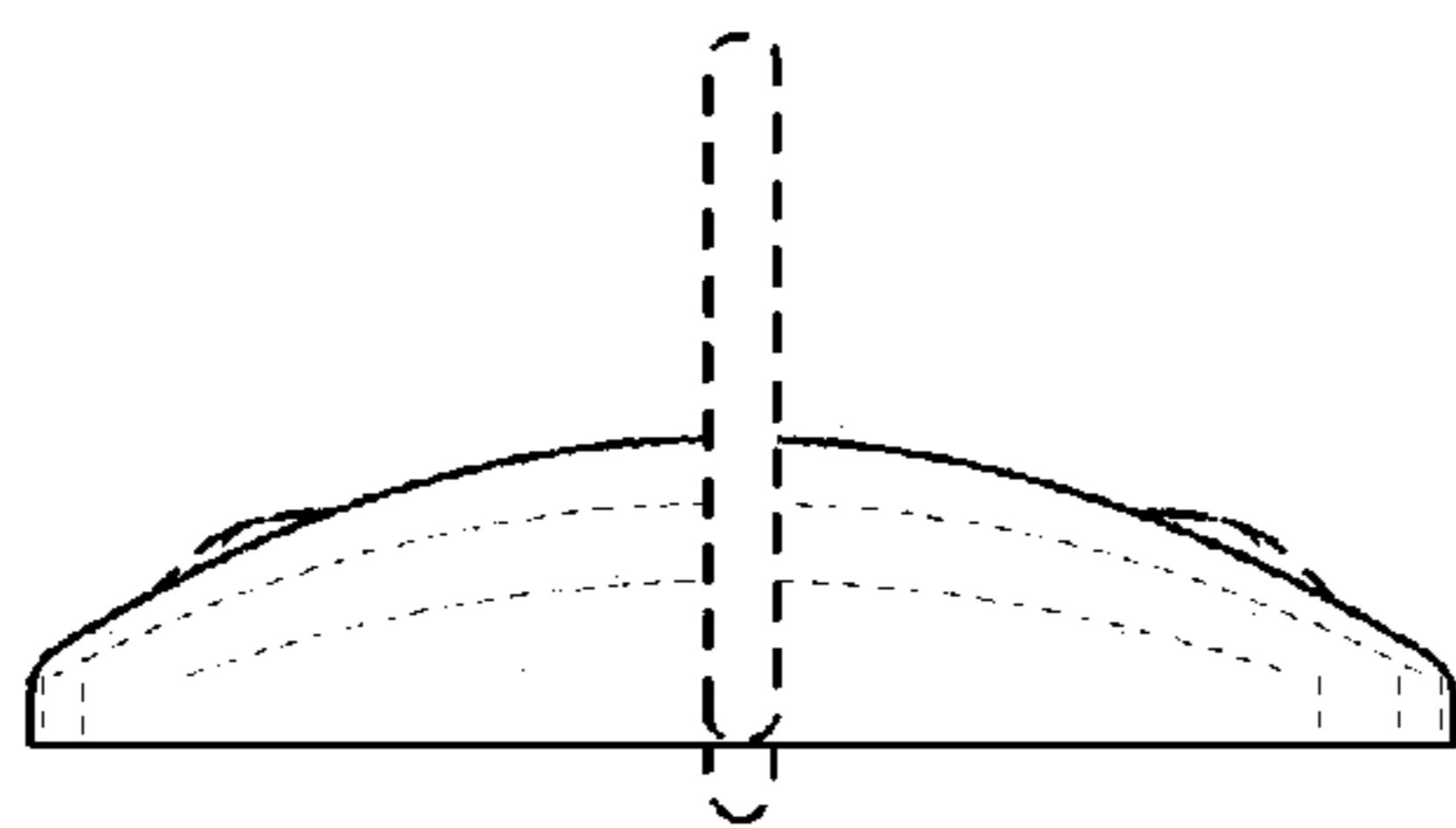


Fig. 5

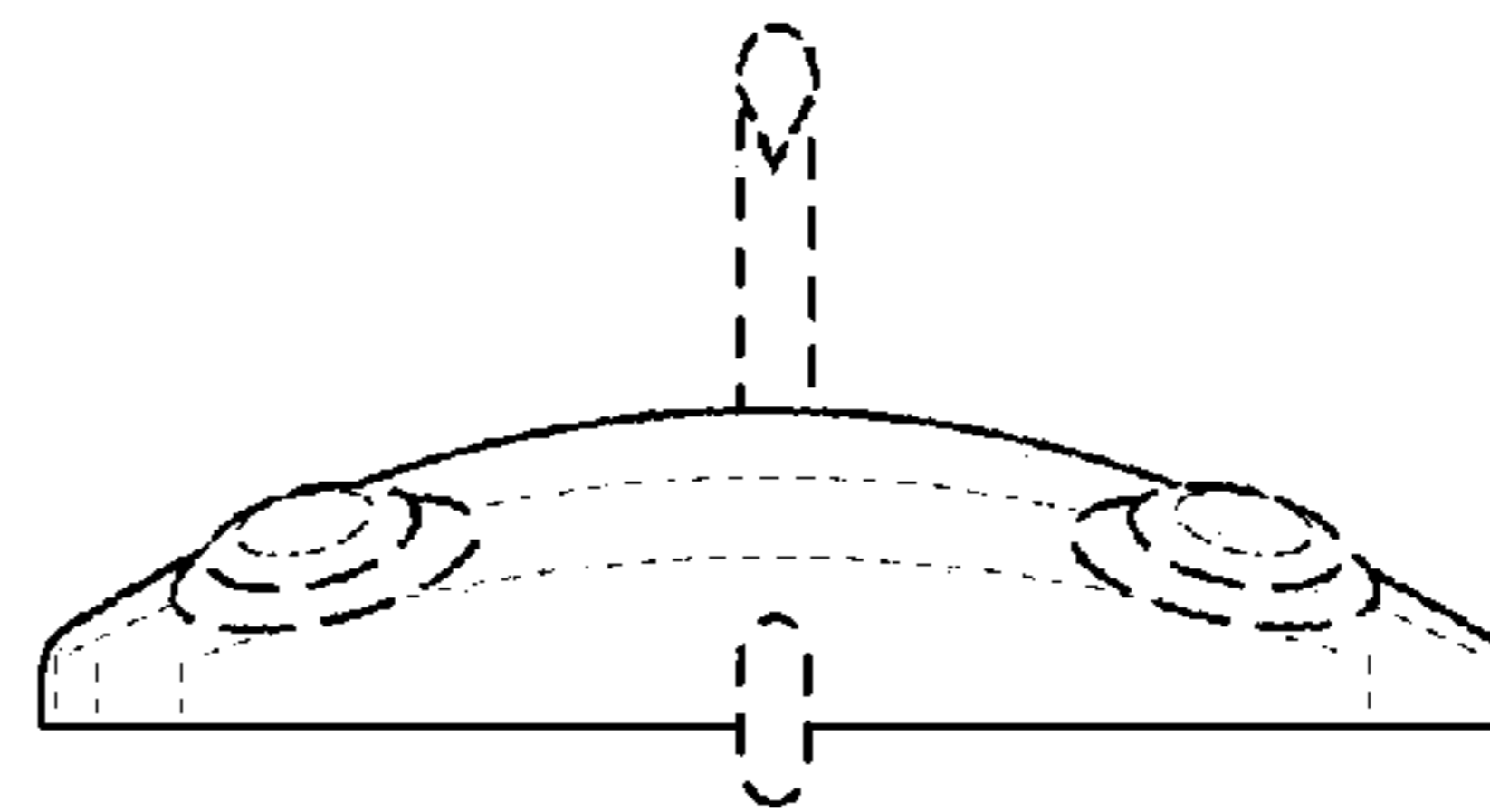


Fig. 6

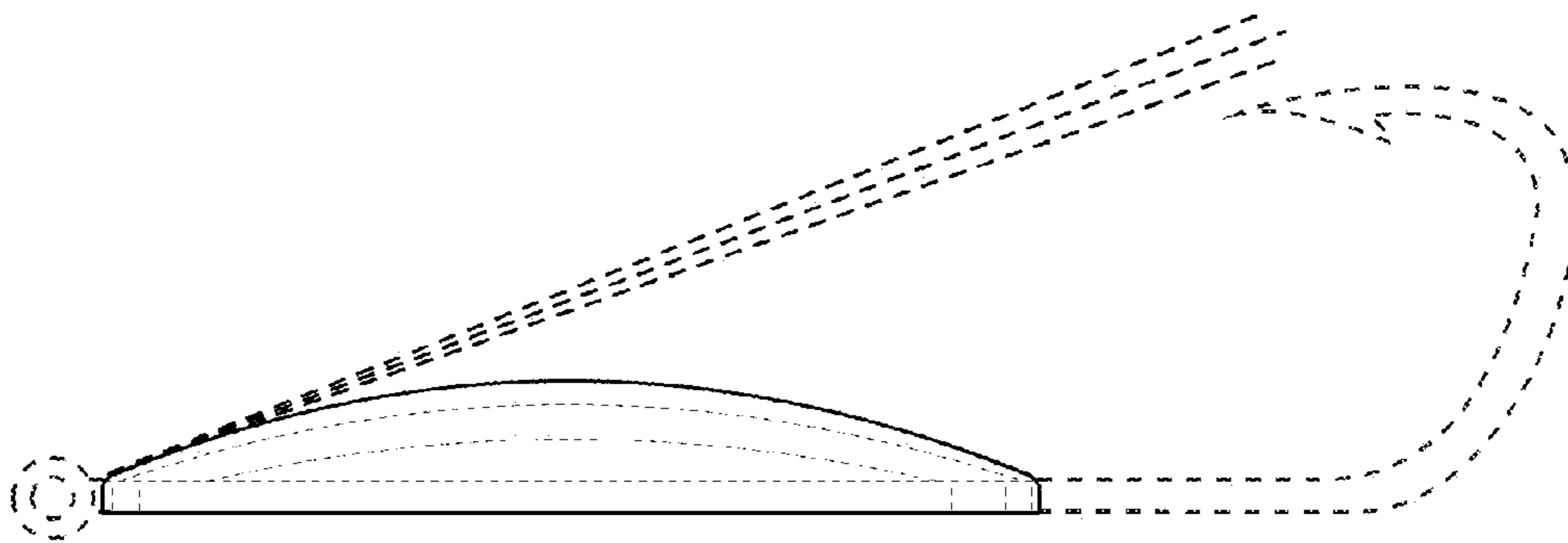


Fig. 7

Fig. 8

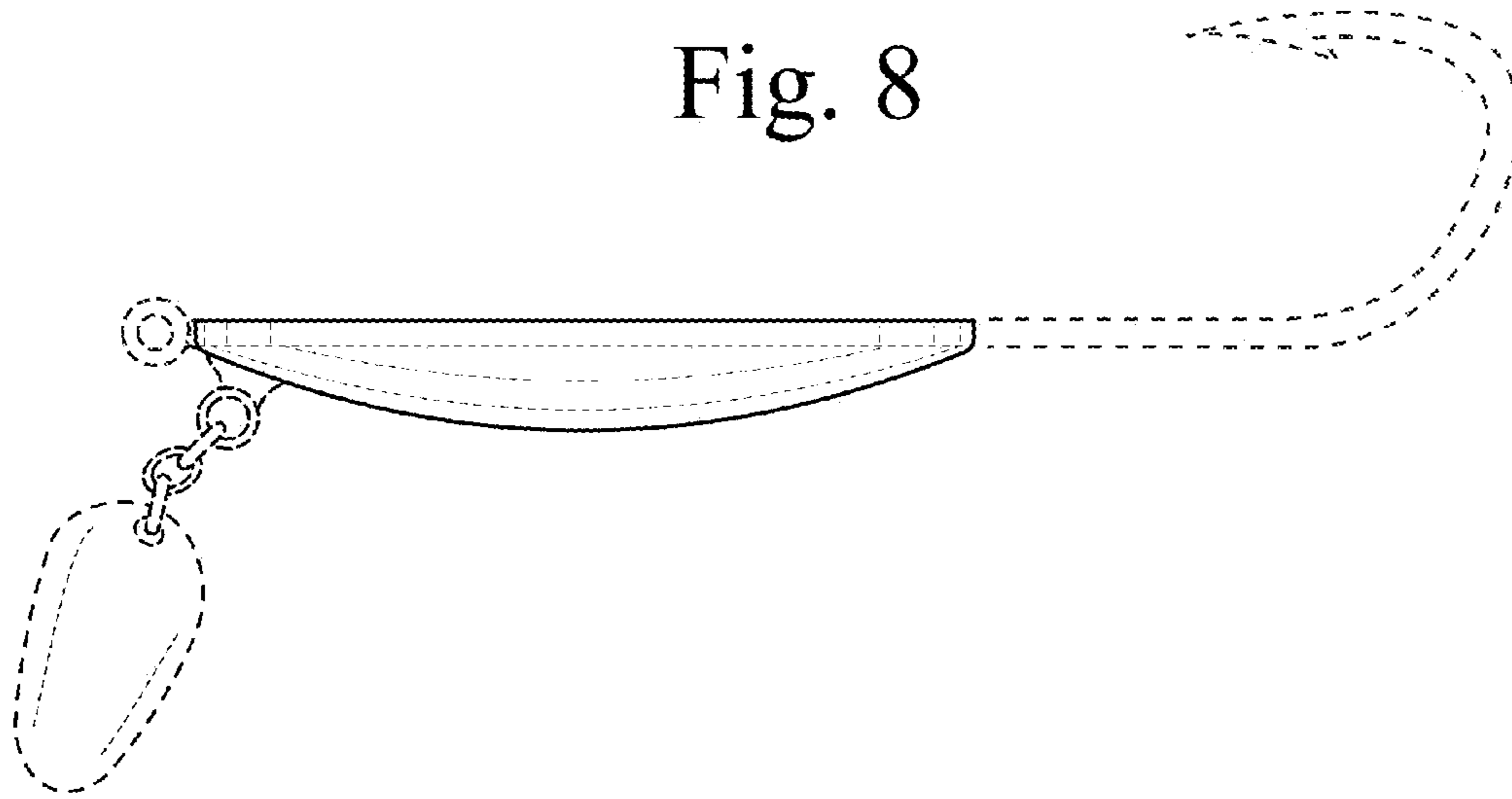


Fig. 9

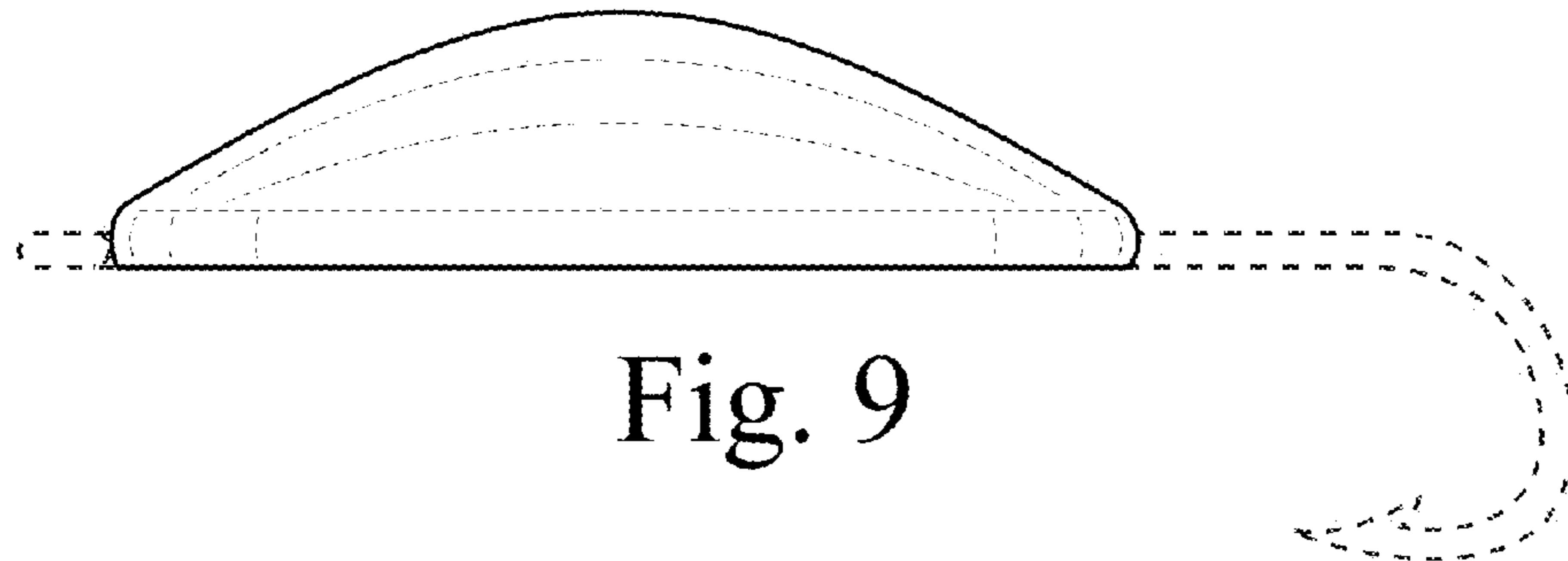
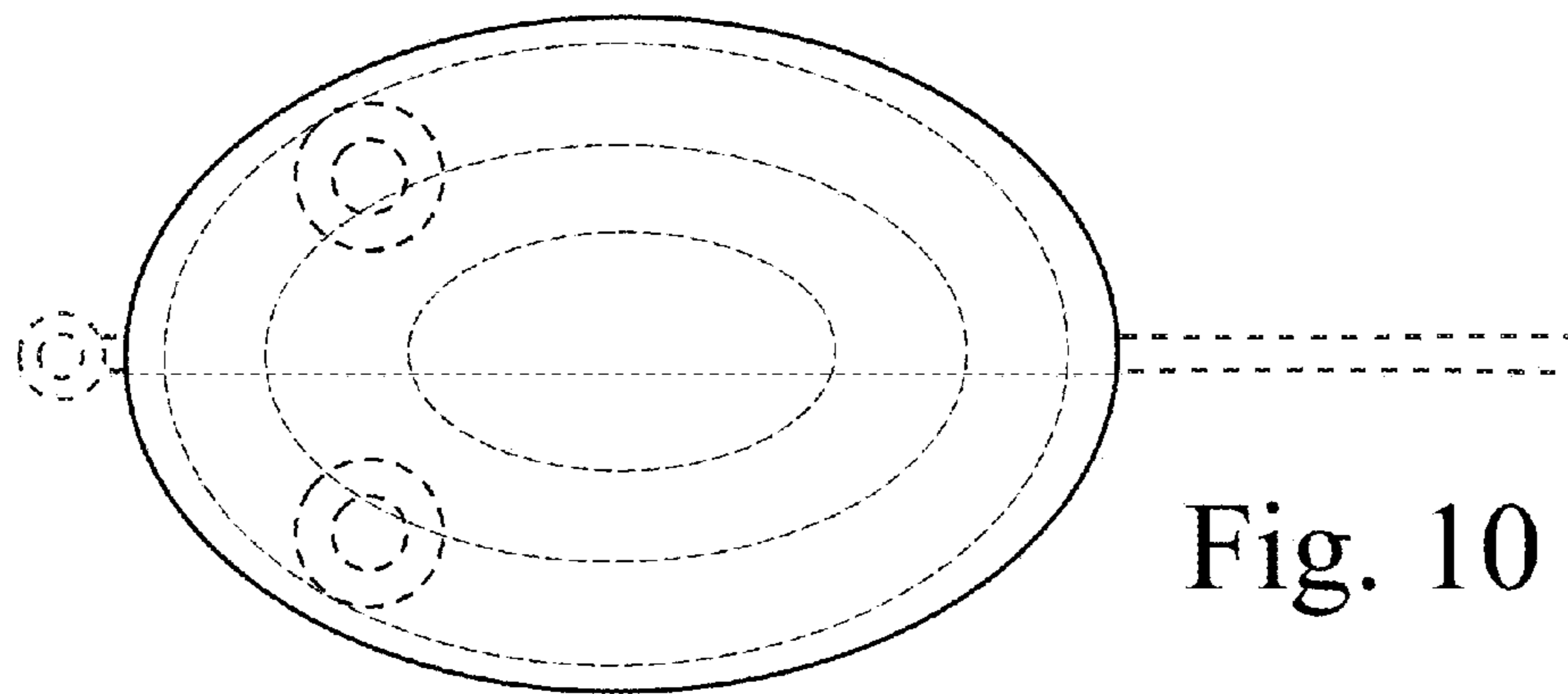


Fig. 10



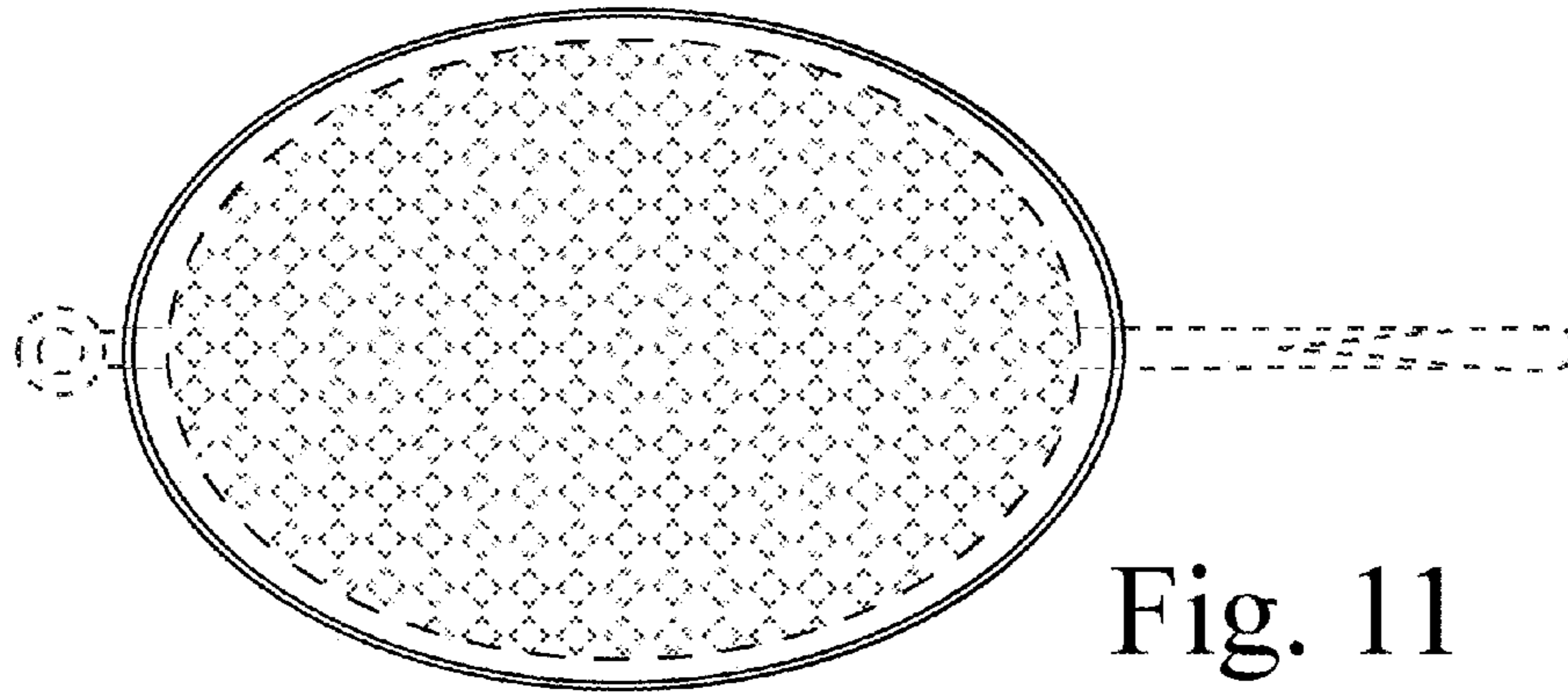


Fig. 11

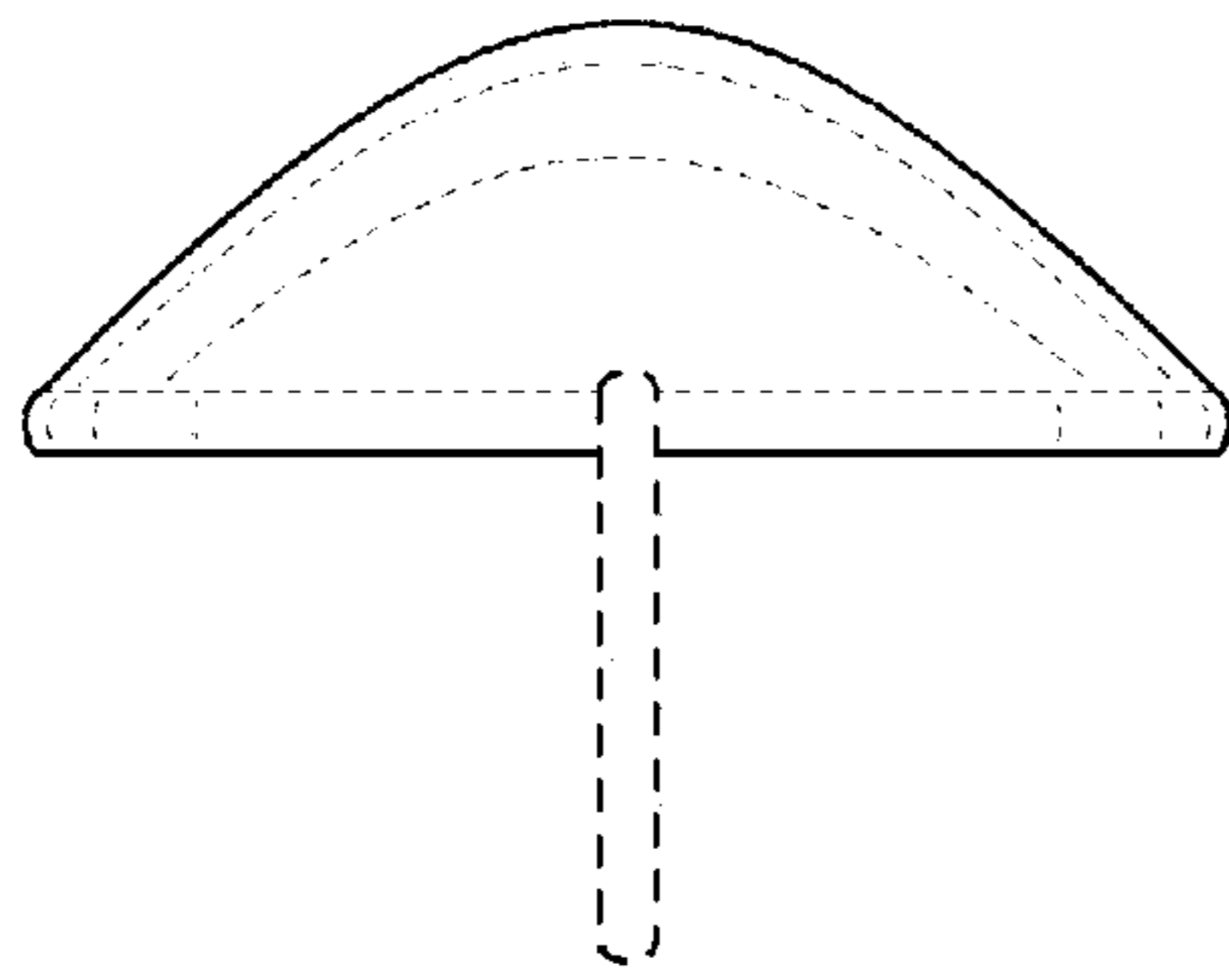


Fig. 12

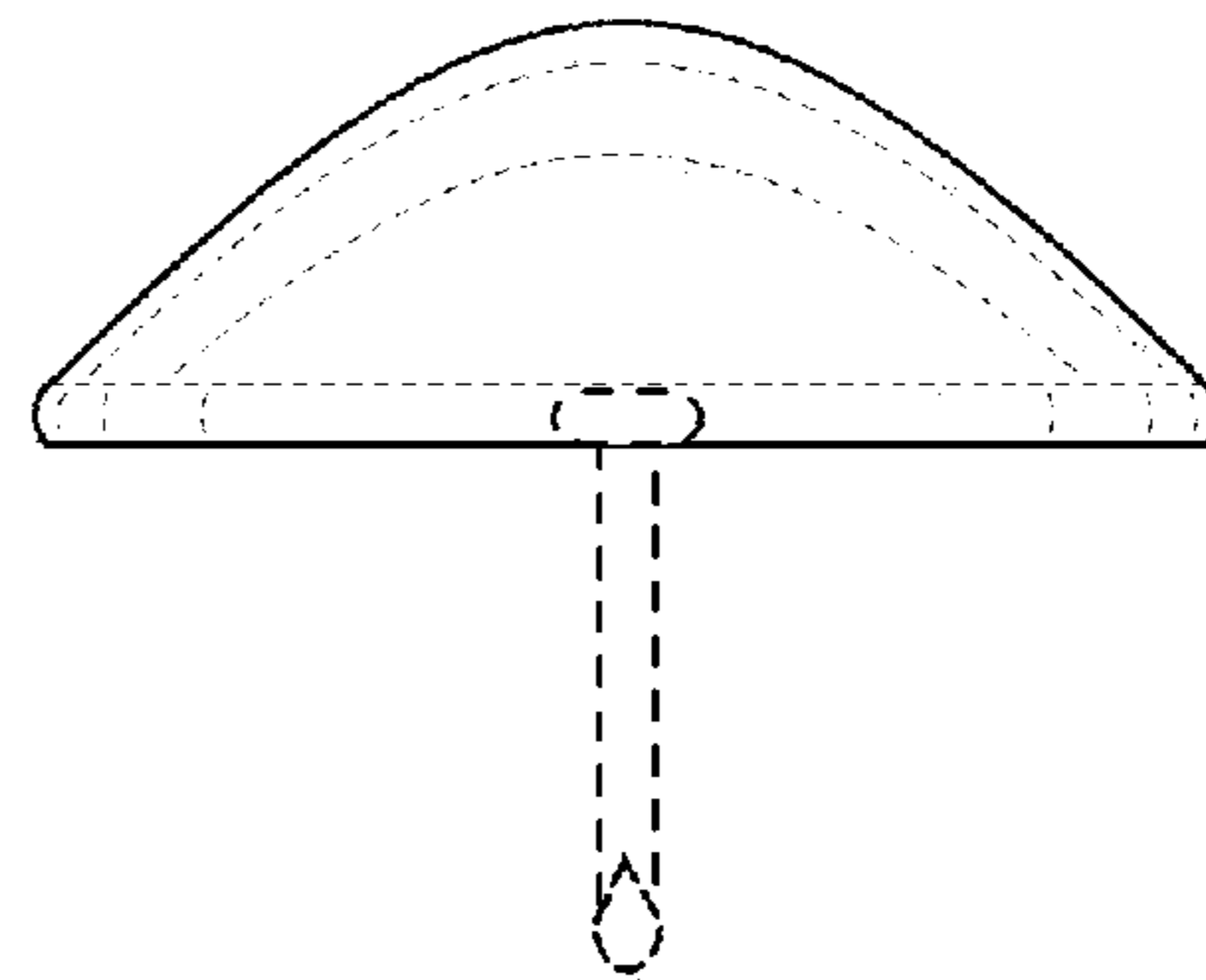


Fig. 13

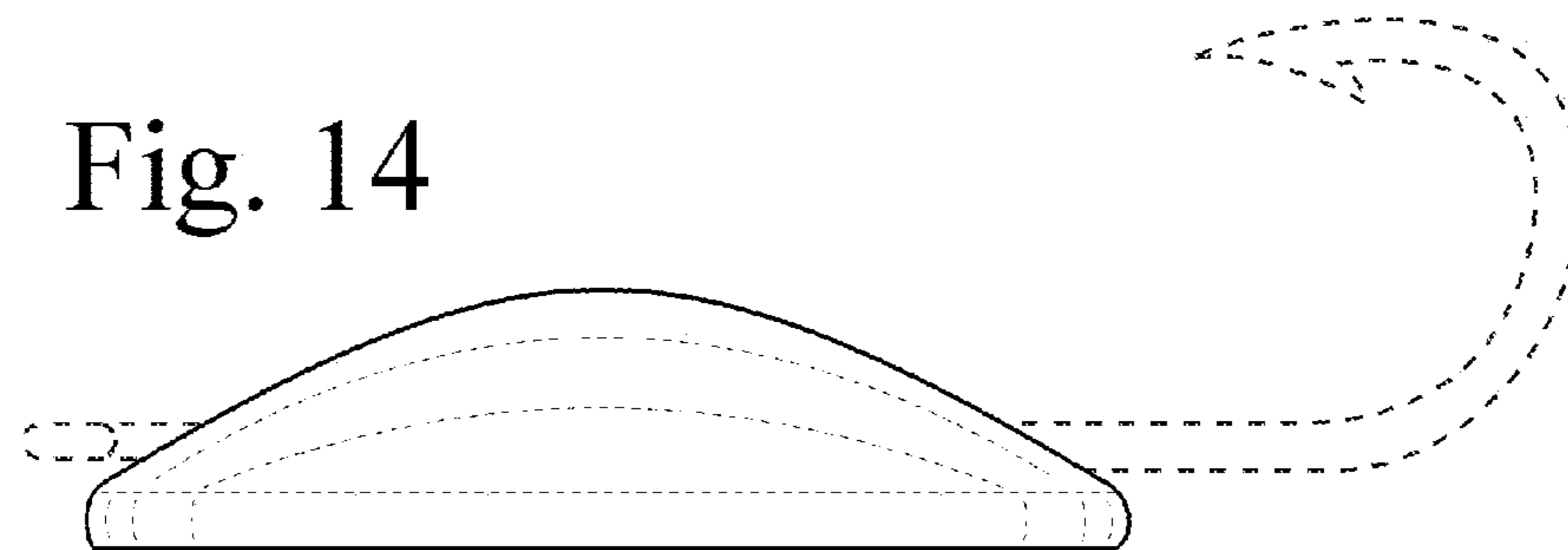


Fig. 14

Fig. 15

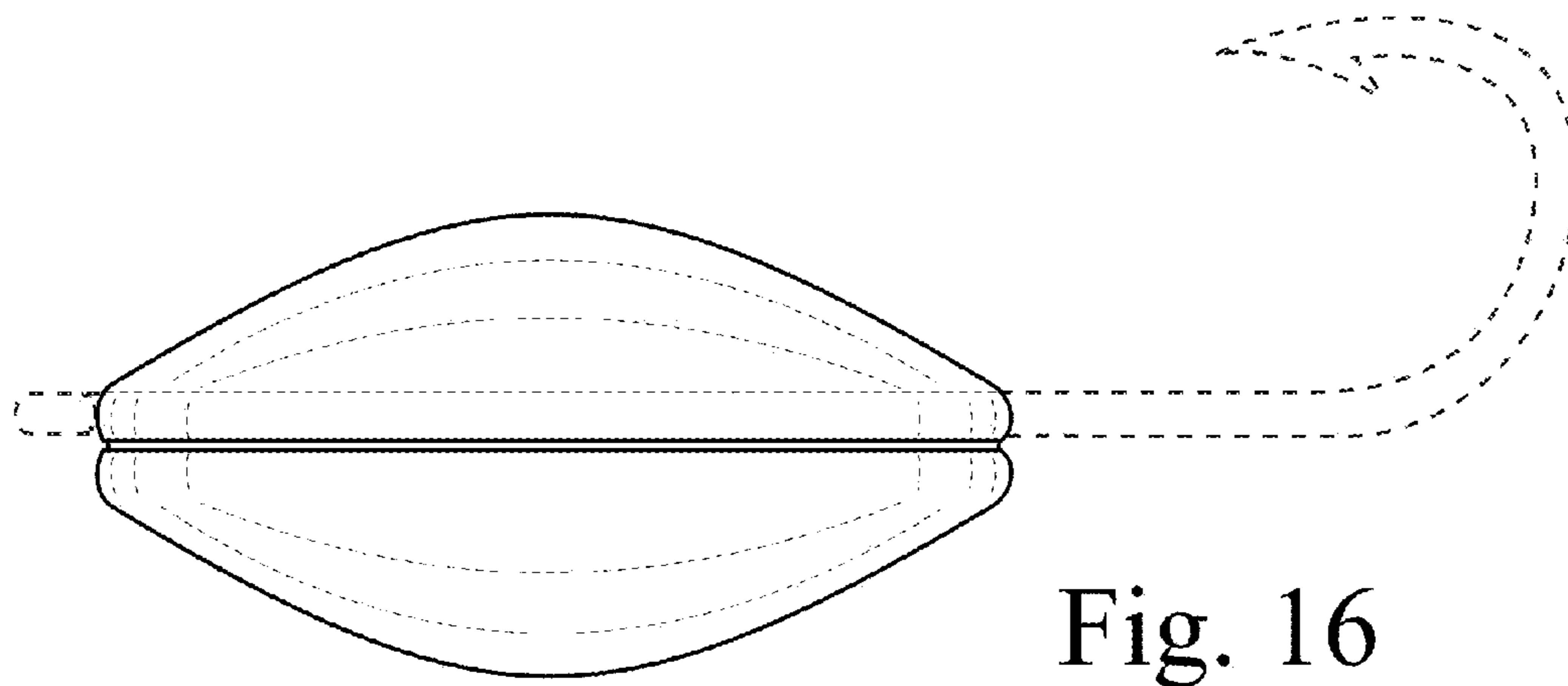
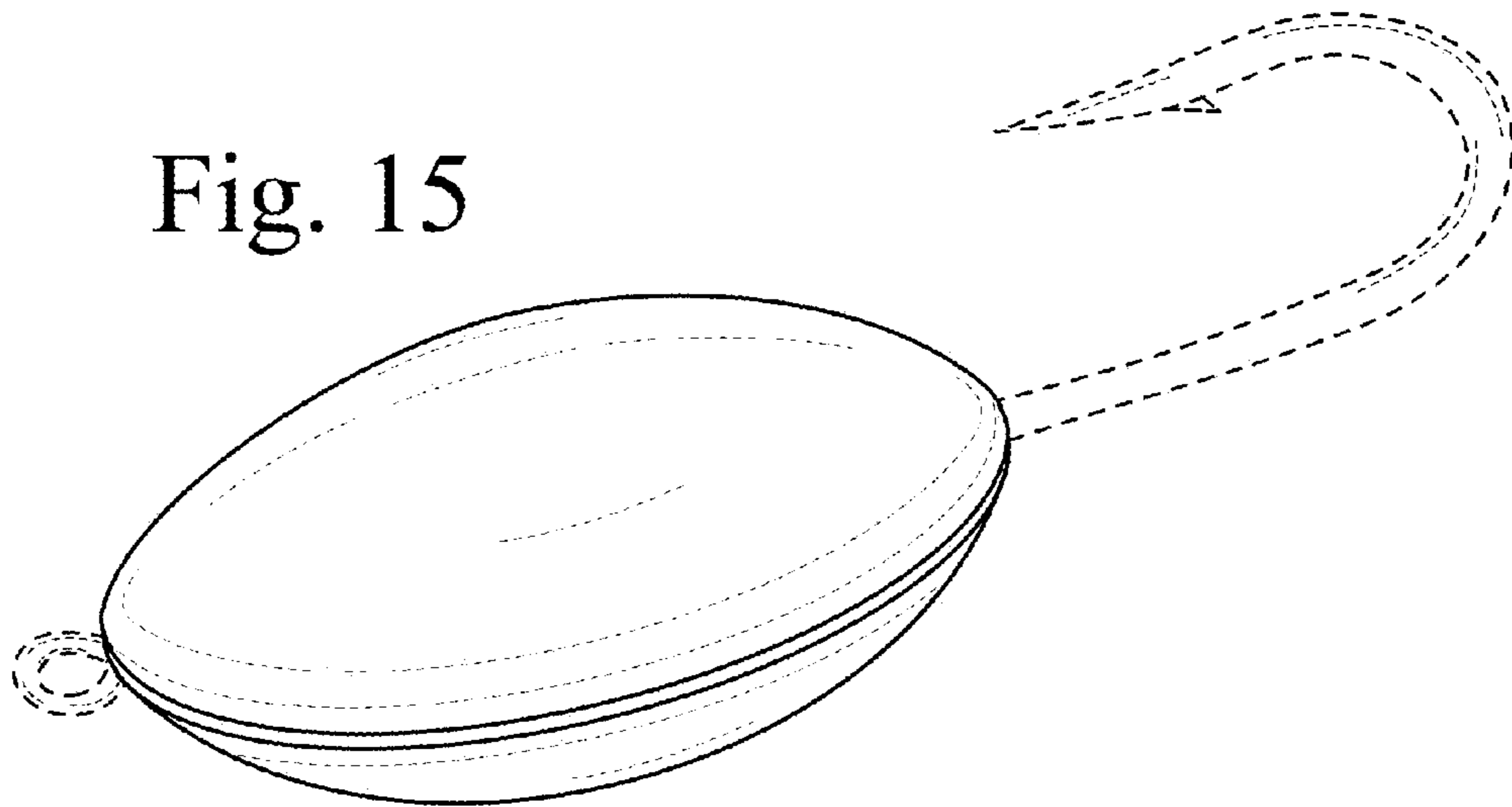


Fig. 16

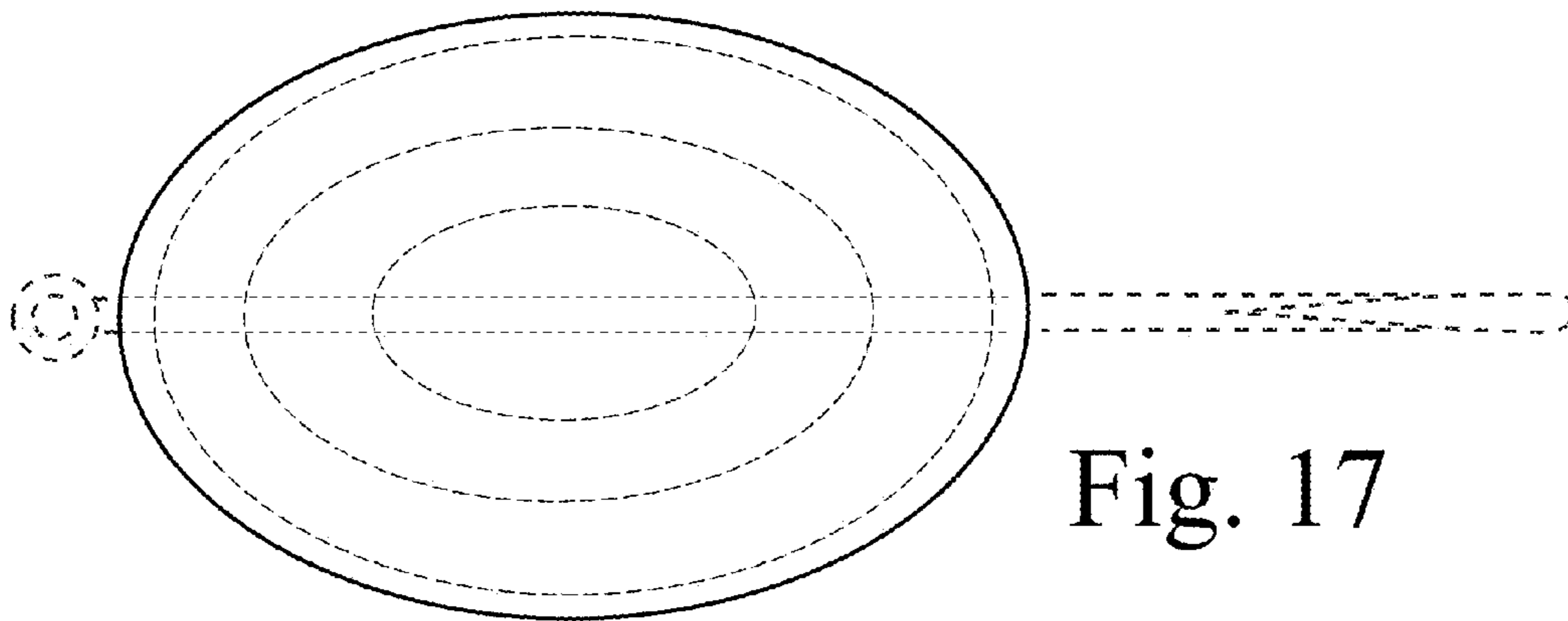


Fig. 17

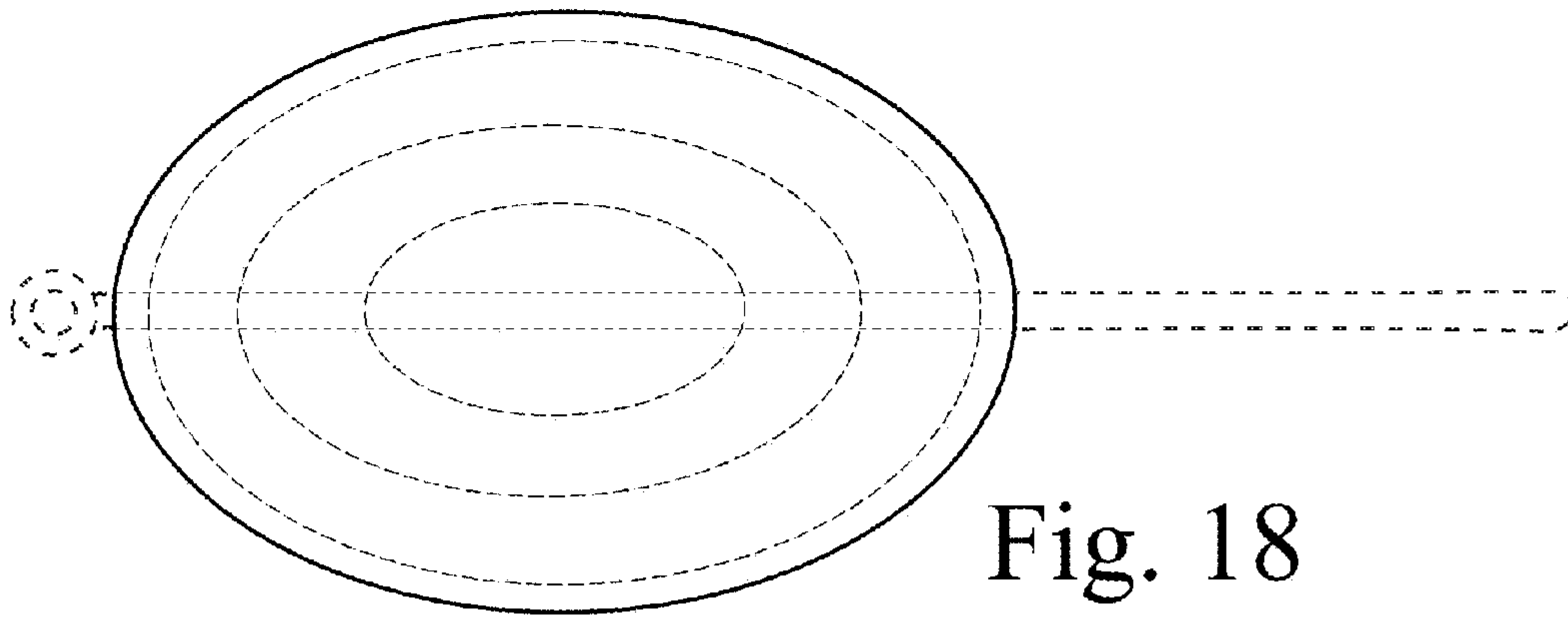


Fig. 18

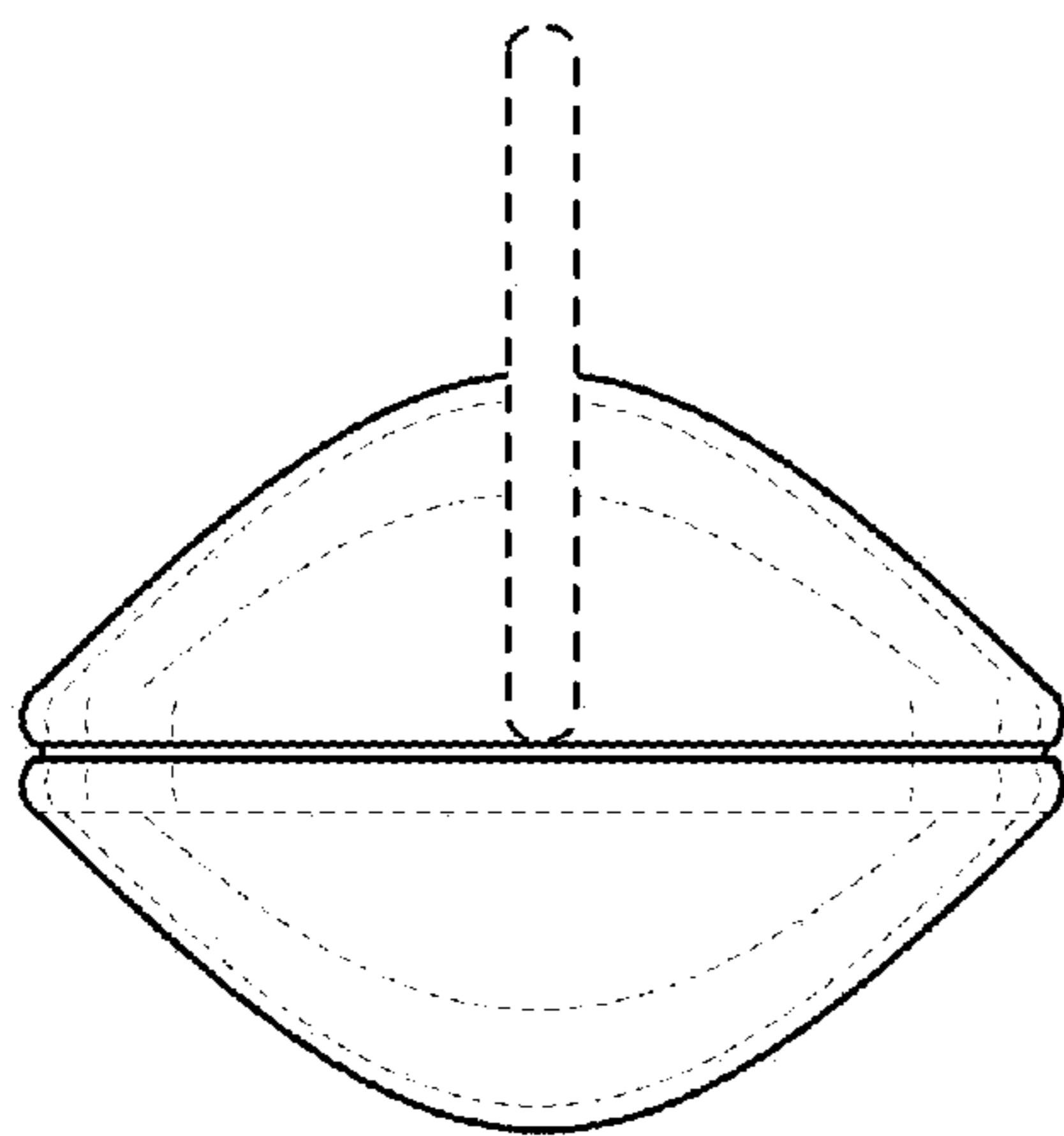


Fig. 19

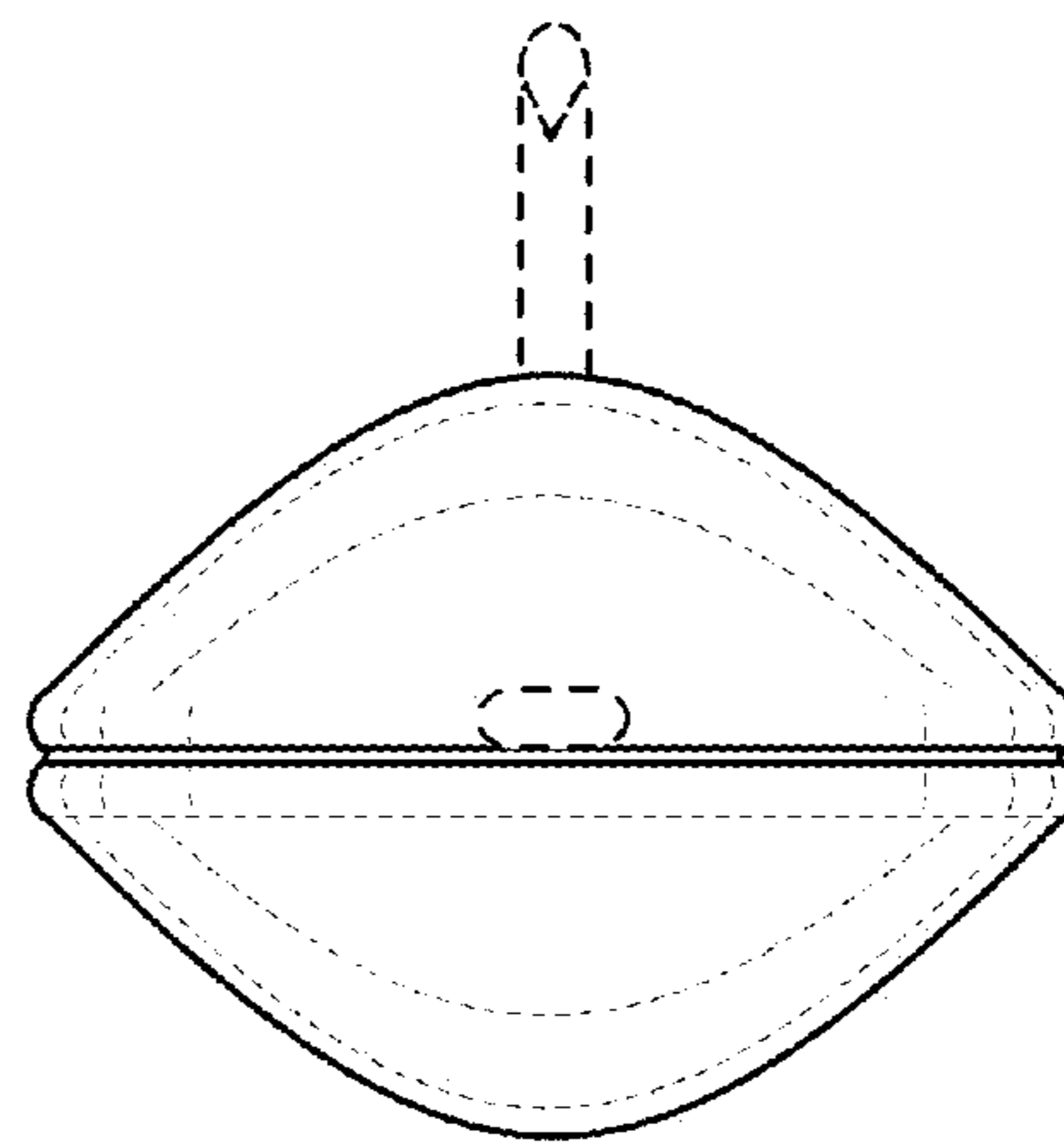


Fig. 20