



US00D733833S

(12) **United States Design Patent**
Steil

(10) **Patent No.:** **US D733,833 S**

(45) **Date of Patent:** **** Jul. 7, 2015**

(54) **REACTIVE TARGET SUPPORT**

D266,784 S * 11/1982 Sexton D22/113
D387,123 S * 12/1997 Hughes et al. D22/108
D629,862 S * 12/2010 Kreiman et al. D22/113

(71) Applicant: **Everett McDowell Steil**, Cumming, GA
(US)

* cited by examiner

(72) Inventor: **Everett McDowell Steil**, Cumming, GA
(US)

Primary Examiner — Michael A Pratt

(74) *Attorney, Agent, or Firm* — Merchant & Gould, P.C.

(**) Term: **14 Years**

(57) **CLAIM**

The ornamental design for a reactive target support, as shown and described.

(21) Appl. No.: **29/484,609**

(22) Filed: **Mar. 11, 2014**

DESCRIPTION

(51) **LOC (10) Cl.** **22-04**

(52) **U.S. Cl.**
USPC **D22/113**

(58) **Field of Classification Search**
USPC D22/113, 119; 463/52–56; 273/331,
273/348, 407, 127 R, 190
CPC F41J 1/00; F41J 1/01; F41J 1/08;
F41J 1/10; F41J 5/18; F41J 5/20; F41J 5/205;
F41J 5/22; F41J 9/00; F41J 9/02; F41J 9/04;
F41J 9/06; F41J 9/08; F41J 9/10; F41J 9/14;
F41J 9/16

See application file for complete search history.

FIG. 1 is an isometric view of the reactive target support, and also illustrating an example target supported thereon;
FIG. 2 is a front elevation view of the reactive target support of FIG. 1;
FIG. 3 is a rear elevation view of the reactive target support of FIG. 1;
FIG. 4 is a right side elevation view of the reactive target support of FIG. 1;
FIG. 5 is a left side elevation view of the reactive target support of FIG. 1;
FIG. 6 is a top view of the reactive target support of FIG. 1; and,
FIG. 7 is a bottom view of the reactive target support of FIG. 1.

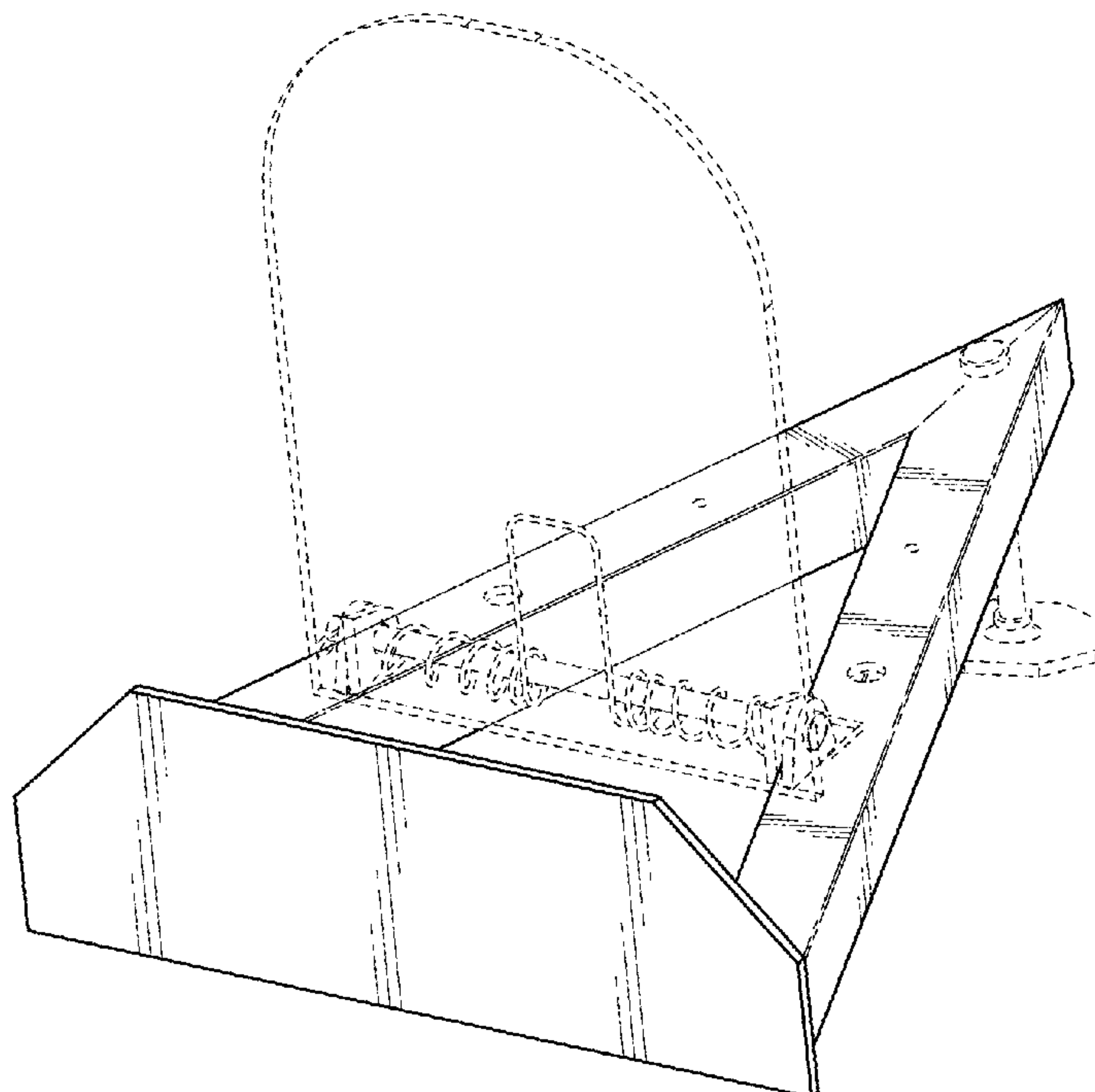
The broken lines in the Figures are for illustrative purposes only and form no part of the claimed design.

(56) **References Cited**

U.S. PATENT DOCUMENTS

715,249 A * 12/1902 Dunbar 273/401
3,002,756 A * 10/1961 Bakalyar 273/118 R

1 Claim, 5 Drawing Sheets



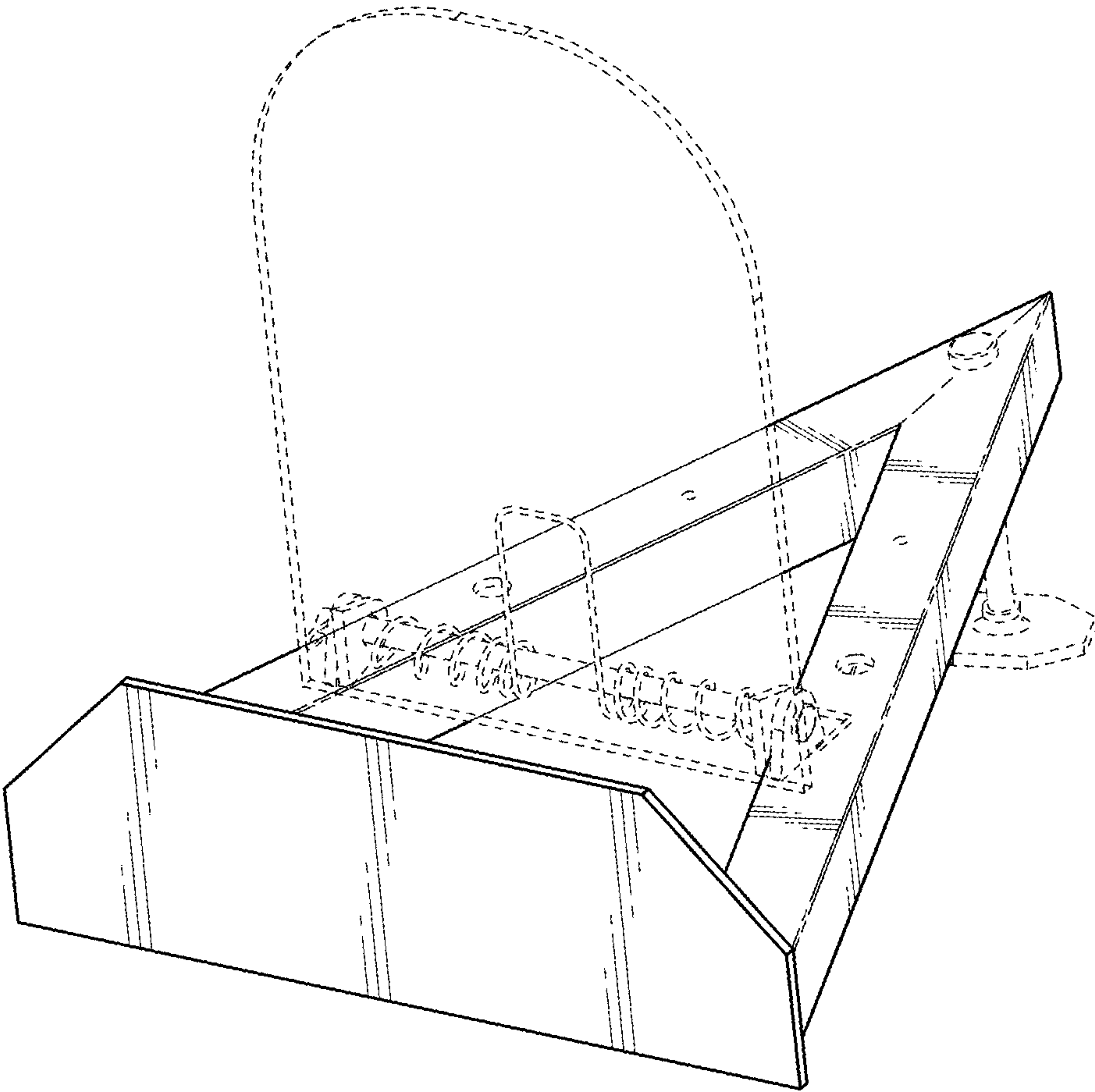


FIG. 1

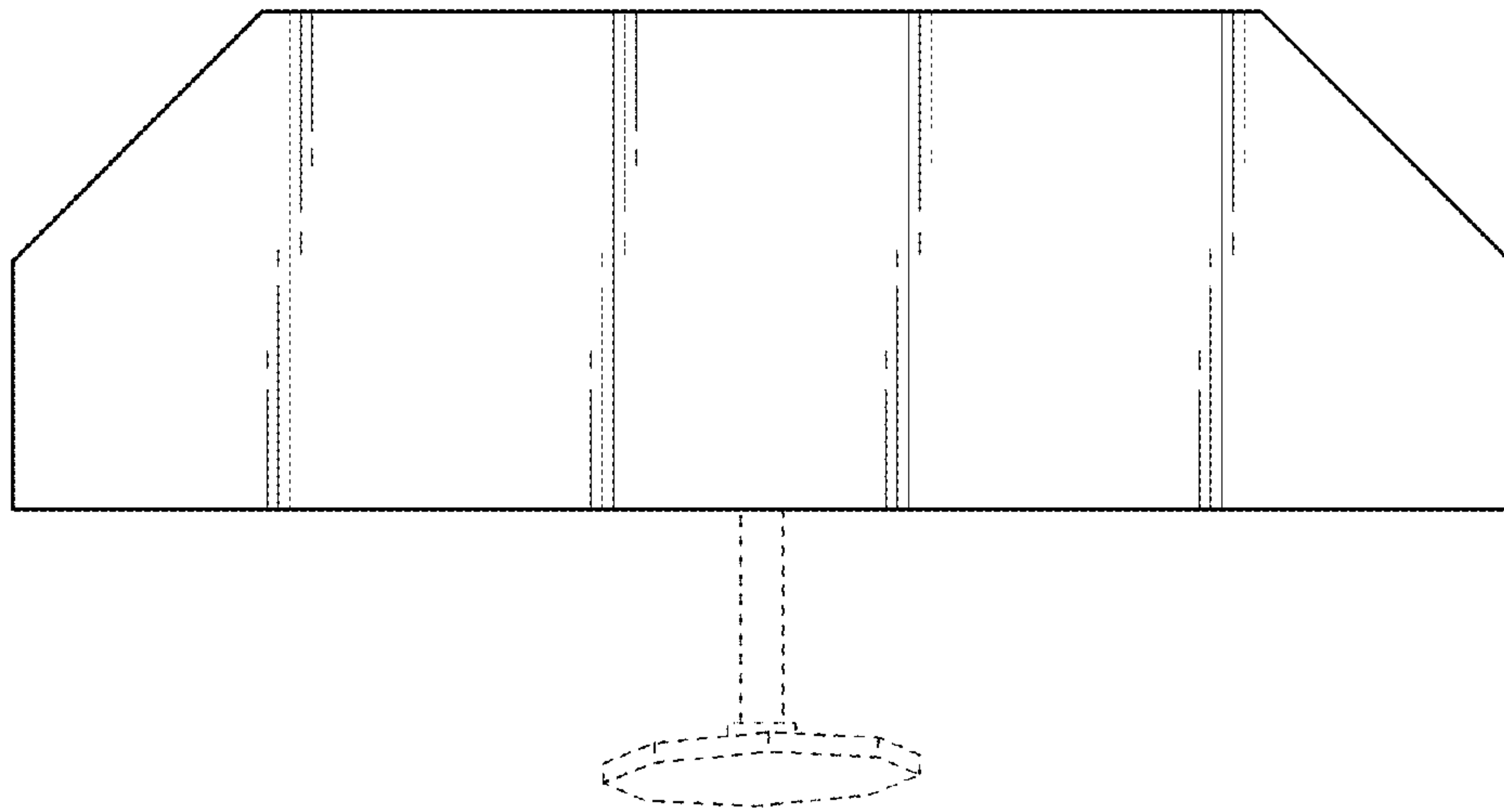


FIG. 2

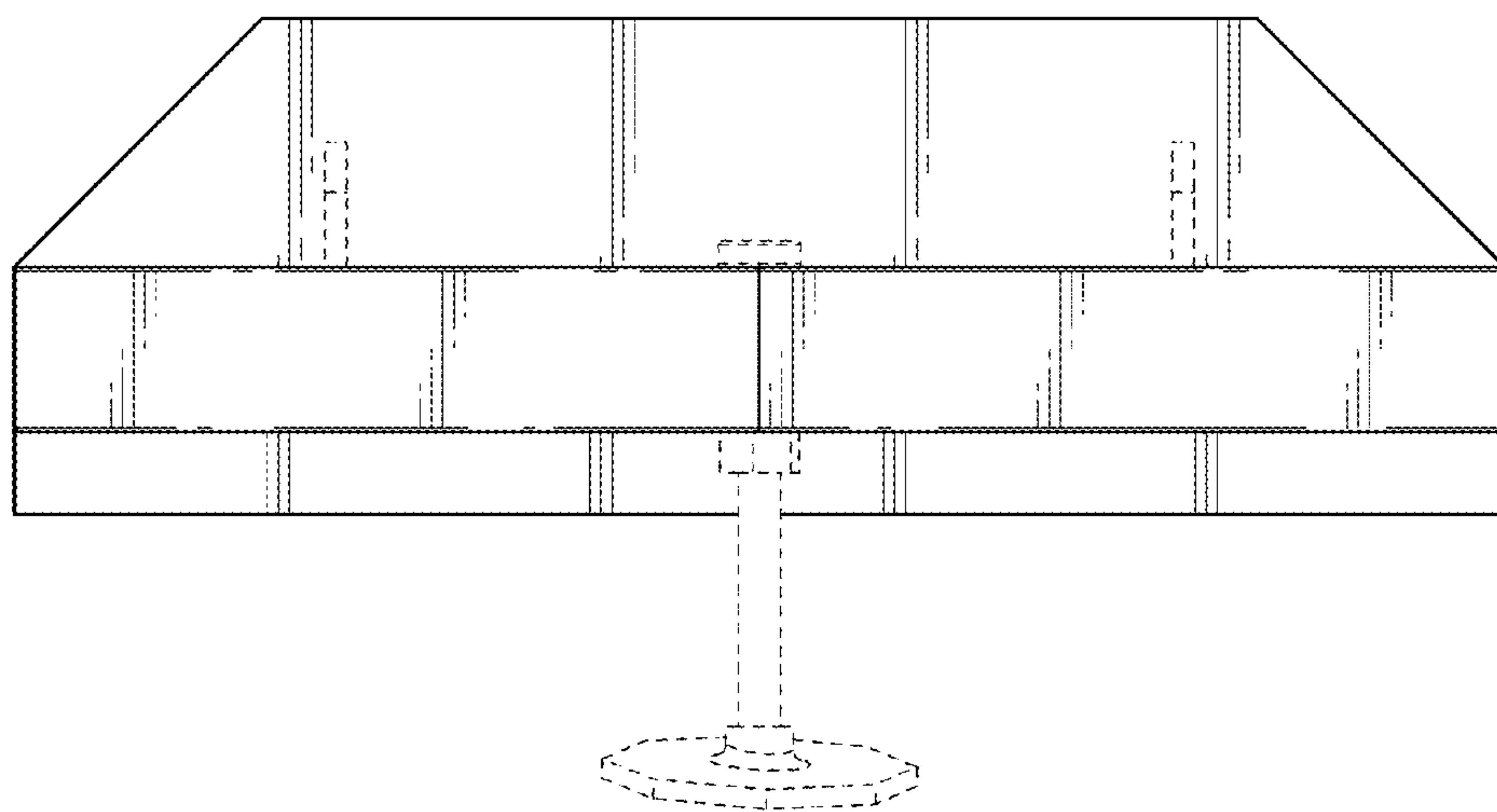


FIG. 3

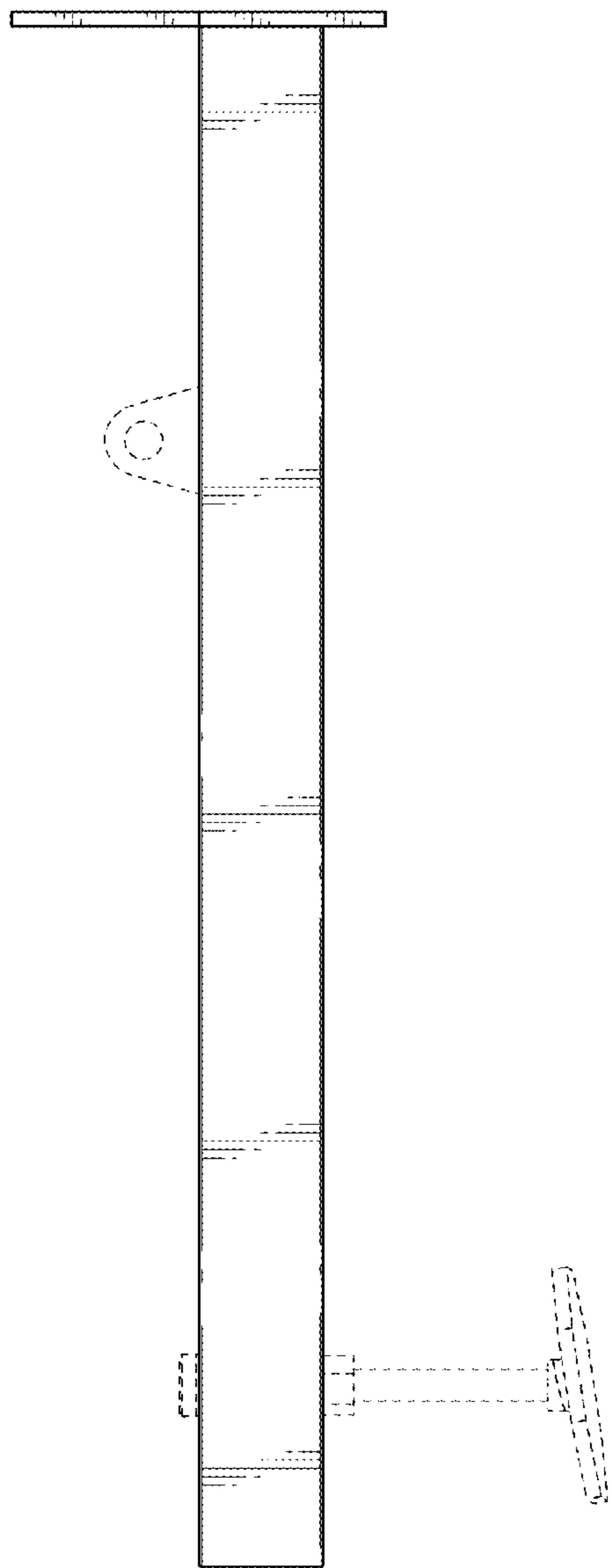


FIG. 4

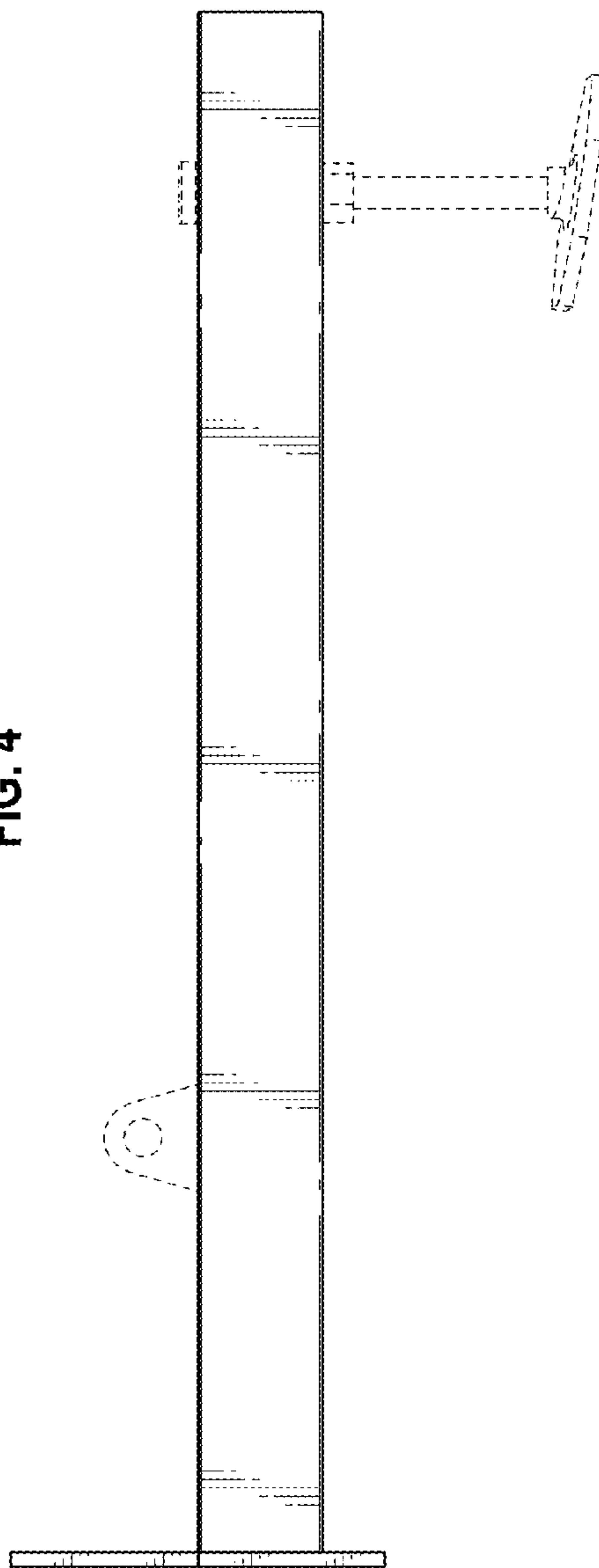


FIG. 5

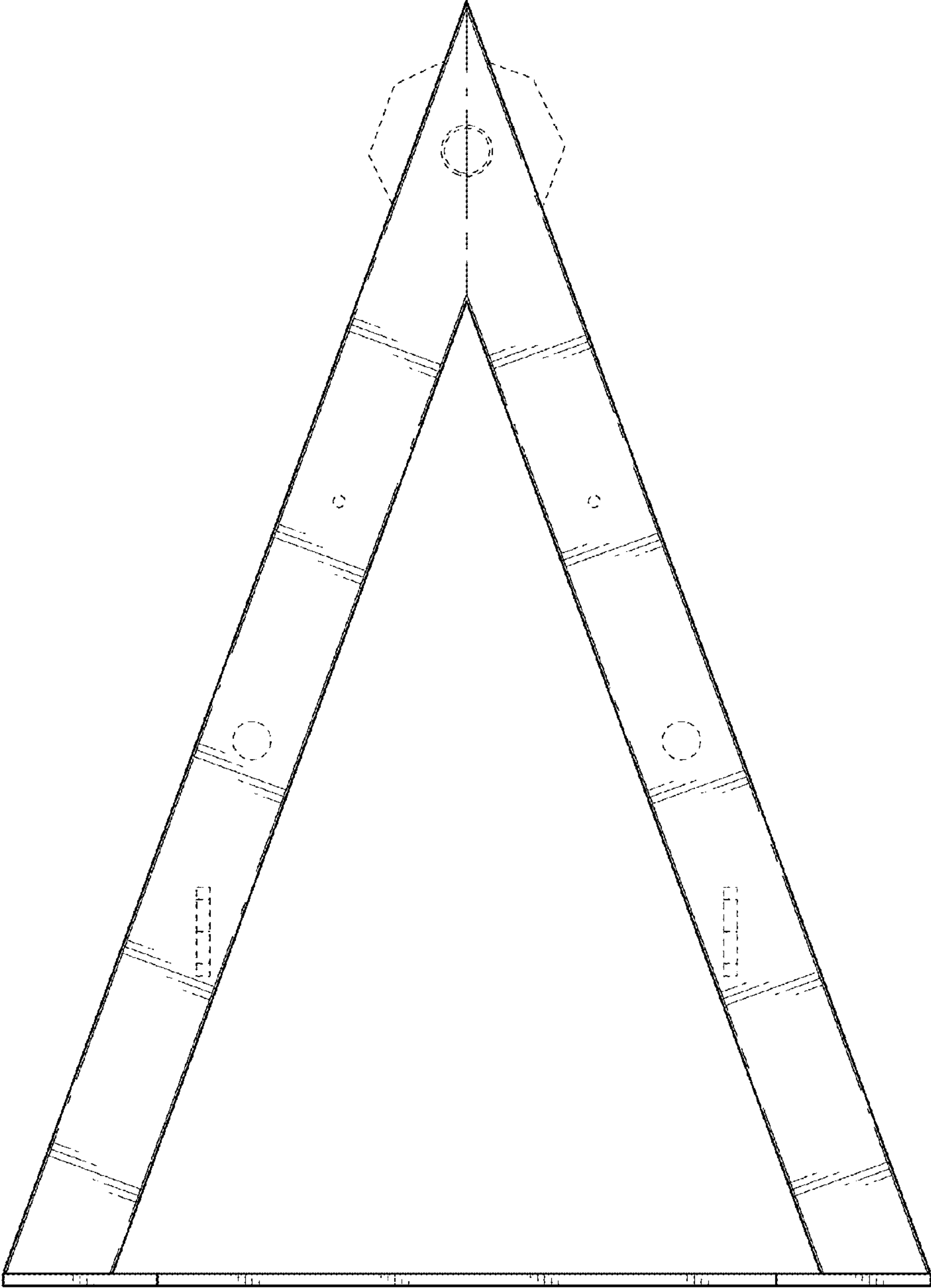


FIG. 6

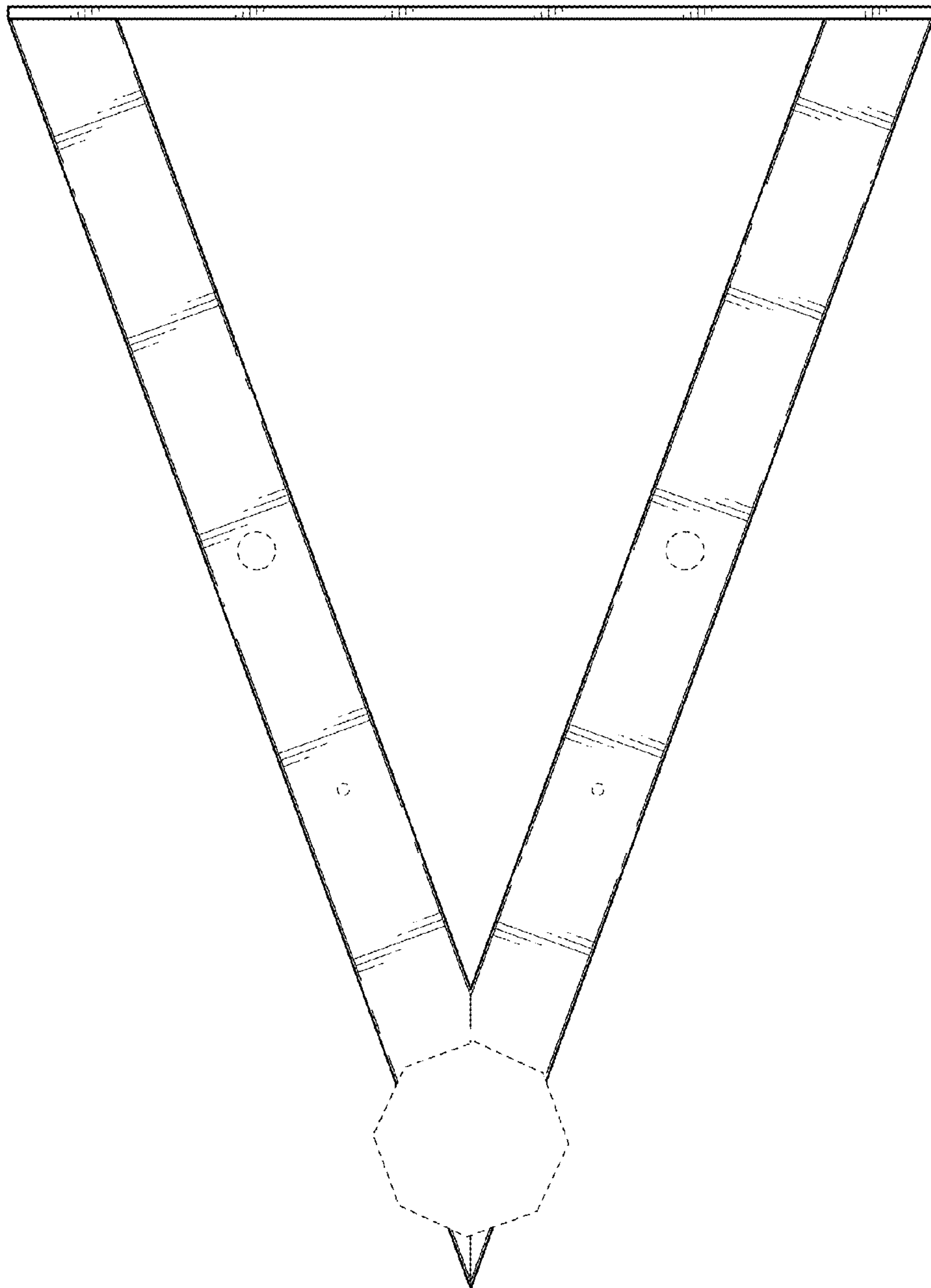


FIG. 7