



US00D733831S

(12) **United States Design Patent**  
**Dueck**

(10) **Patent No.:** **US D733,831 S**

(45) **Date of Patent:** **\*\* Jul. 7, 2015**

(54) **REAR PISTOL SIGHT**

(71) Applicant: **Barry W. Dueck**, Sunset Beach, CA  
(US)

(72) Inventor: **Barry W. Dueck**, Sunset Beach, CA  
(US)

(\*\*) Term: **14 Years**

(21) Appl. No.: **29/479,015**

(22) Filed: **Jan. 10, 2014**

(51) **LOC (10) Cl.** ..... **22-01**

(52) **U.S. Cl.**  
USPC ..... **D22/109**

(58) **Field of Classification Search**  
USPC ..... D22/108-109; 89/111-113; 359/399,  
359/823, 744; 42/104, 105, 111-113, 116,  
42/120, 124-126, 127-129, 141-148,  
42/133-140; 33/227, 229  
CPC ..... F41G 1/00; F41G 1/01; F41G 1/02;  
F41G 1/06; F41G 1/065; F41G 1/08; F41G  
1/10; F41G 1/12; F41G 1/14; F41G 1/30;  
F41G 1/32; F41G 1/38; F41G 1/40; F41G  
1/42; F41G 1/44; F41G 1/46; F41G 1/383;  
F41G 1/387; F41G 1/393; F41G 3/00; F41G  
3/005; F41G 3/02; F41G 3/04; F41G 3/06;  
F41G 3/14; F41G 11/002; F41G 11/003;  
F41G 11/004; F41G 11/005

See application file for complete search history.

(56) **References Cited**

U.S. PATENT DOCUMENTS

D305,146 S *	12/1989	Novak .....	D22/109
D352,087 S *	11/1994	Stevens et al. ....	D22/109
D361,366 S *	8/1995	Emerson .....	D22/109
D436,393 S *	1/2001	Ling, Jr. ....	D22/109
D512,118 S *	11/2005	Warren .....	D22/109
D512,760 S *	12/2005	Warren .....	D22/109
D520,592 S *	5/2006	Warren .....	D22/109
D534,986 S *	1/2007	Warren et al. ....	D22/109
D662,170 S *	6/2012	Keng .....	D22/109
D667,522 S *	9/2012	Glimpse et al. ....	D22/109
D669,554 S *	10/2012	Warren .....	D22/109

\* cited by examiner

*Primary Examiner* — Michael A Pratt  
(74) *Attorney, Agent, or Firm* — R. Tracy Crump

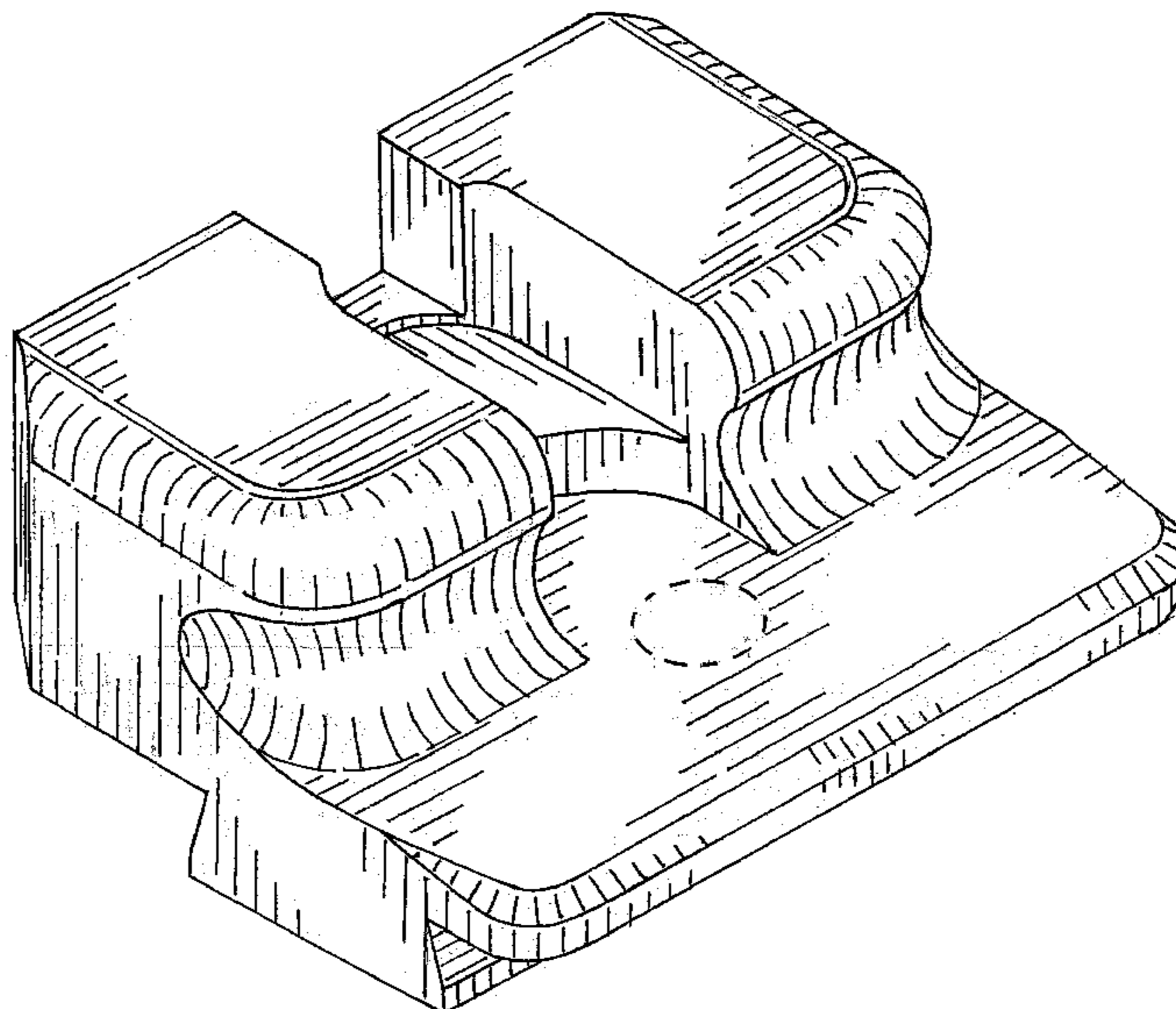
(57) **CLAIM**

I claim the ornamental design of a rear pistol sight, as shown and described.

**DESCRIPTION**

FIG. 1 is a perspective view of a rear pistol sight showing my design;  
FIG. 2 is a right side view thereof;  
FIG. 3 is a left side view thereof;  
FIG. 4 is a top view thereof;  
FIG. 5 is a bottom view thereof;  
FIG. 6 is a front view thereof;  
FIG. 7 is a rear view thereof; and,  
FIG. 8 is a perspective view thereof shown affixed to a portion of an exemplary pistol.  
The area inside the broken boundary lines of FIGS. 1, 4, 6 and 8 form no part of the claimed design.

**1 Claim, 6 Drawing Sheets**



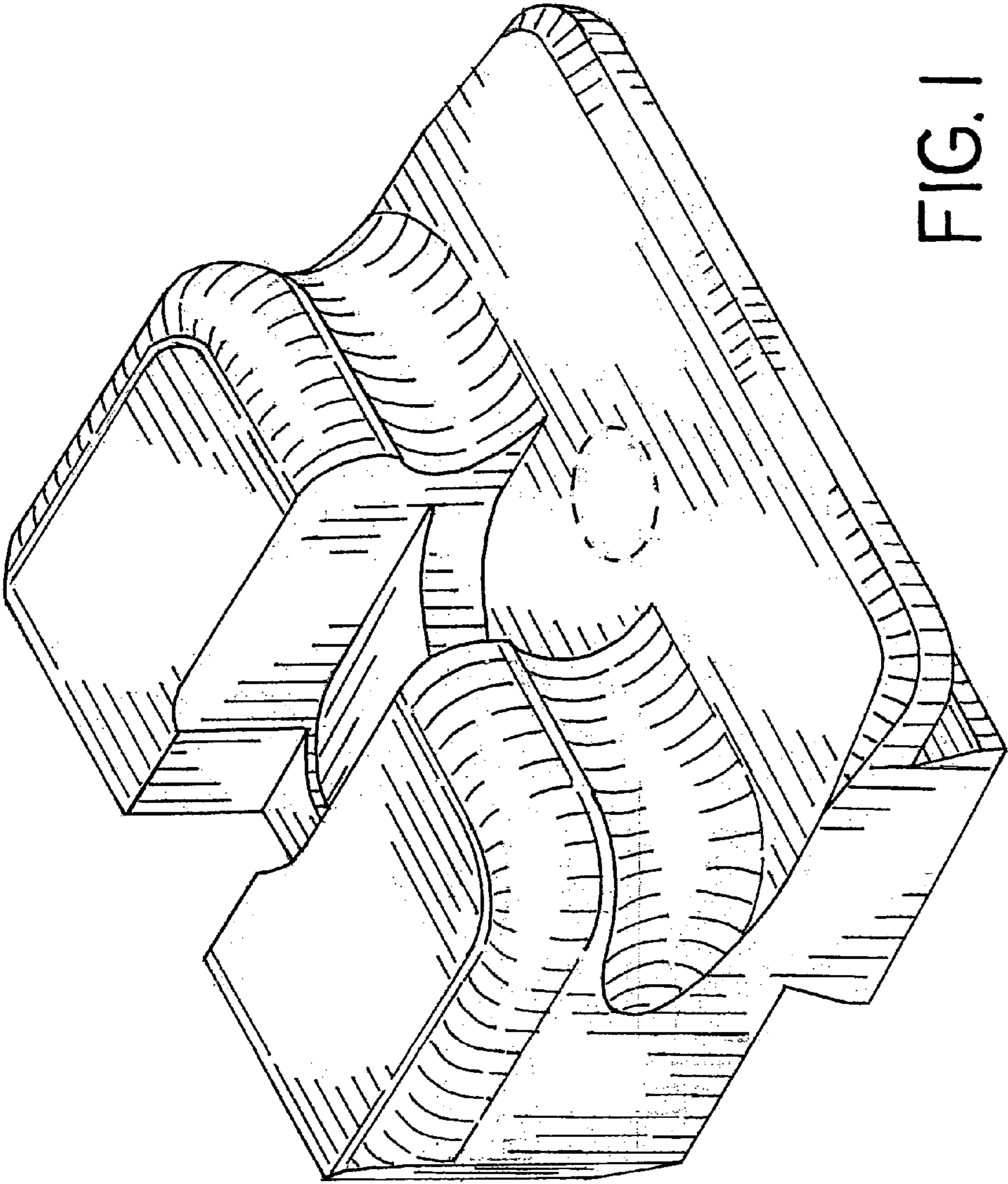


FIG. 1

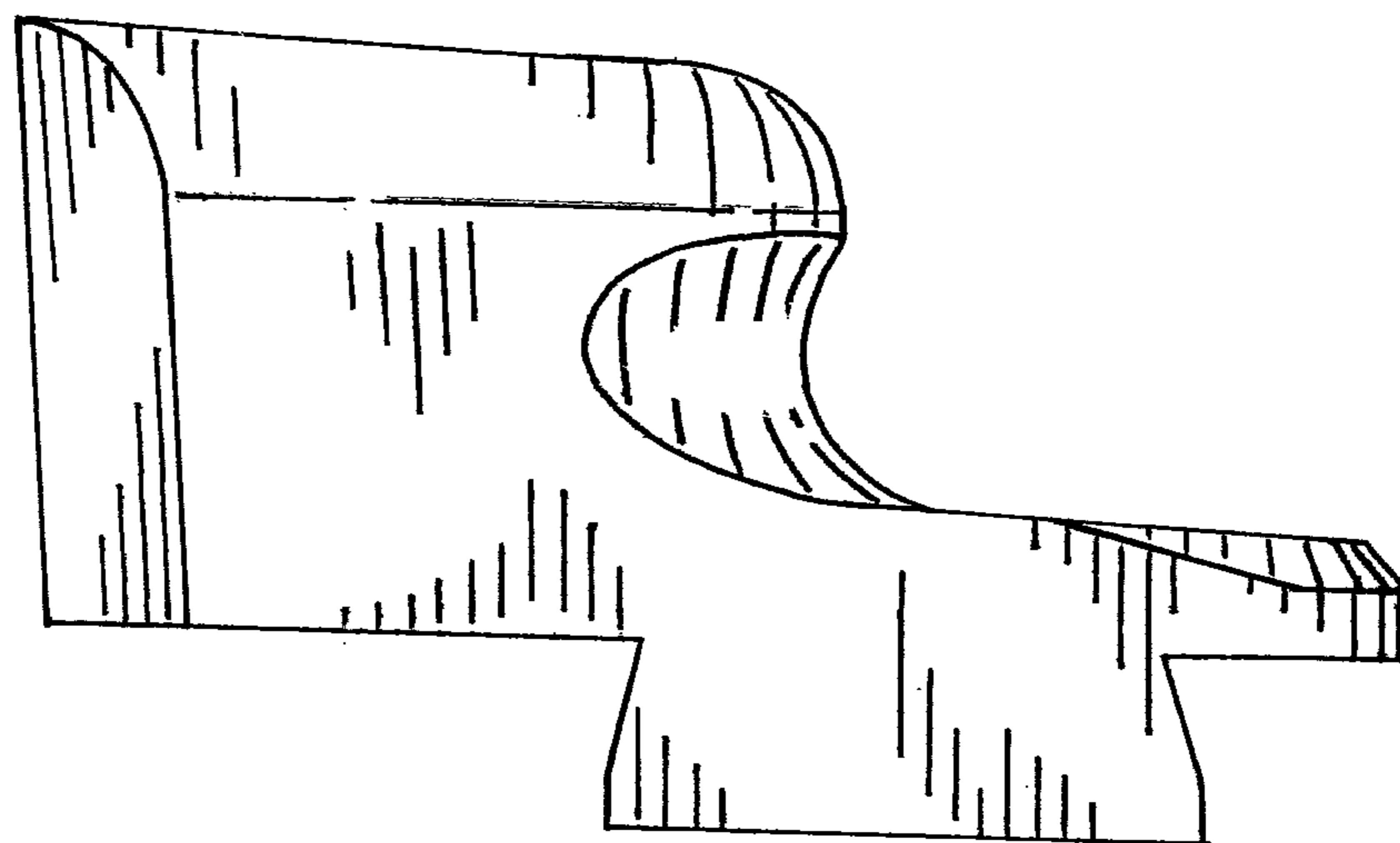


FIG. 2

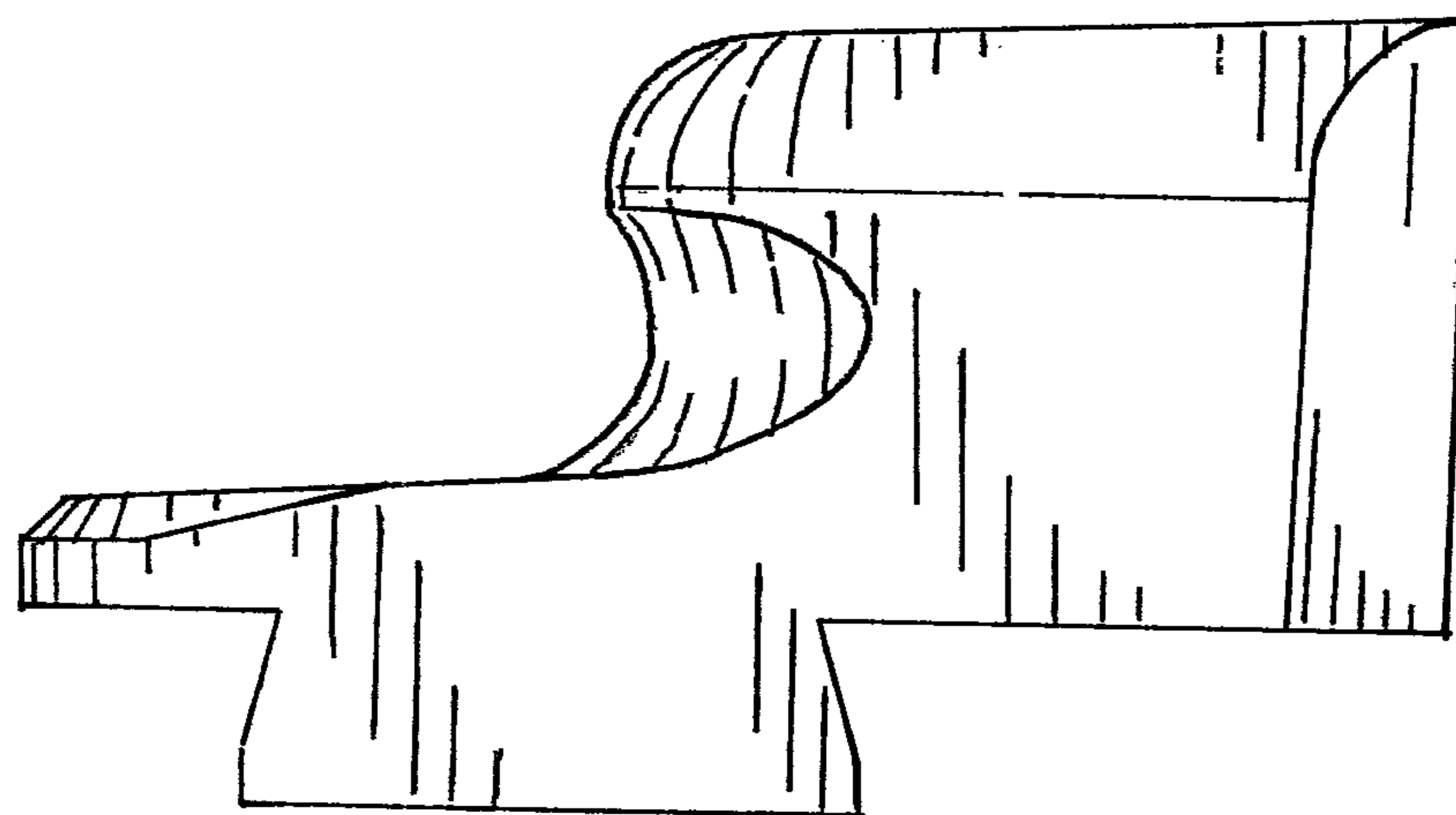


FIG. 3

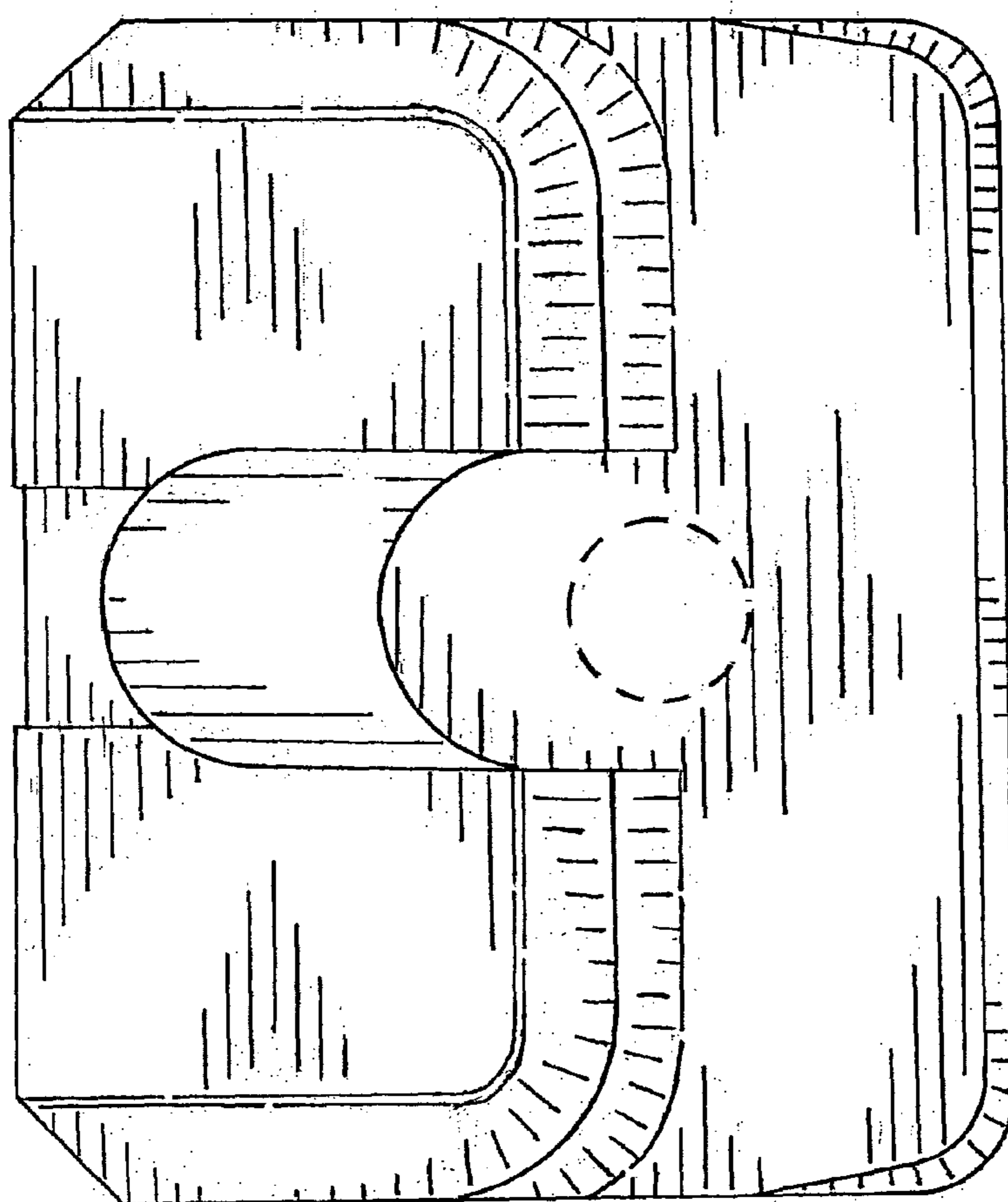


FIG.4

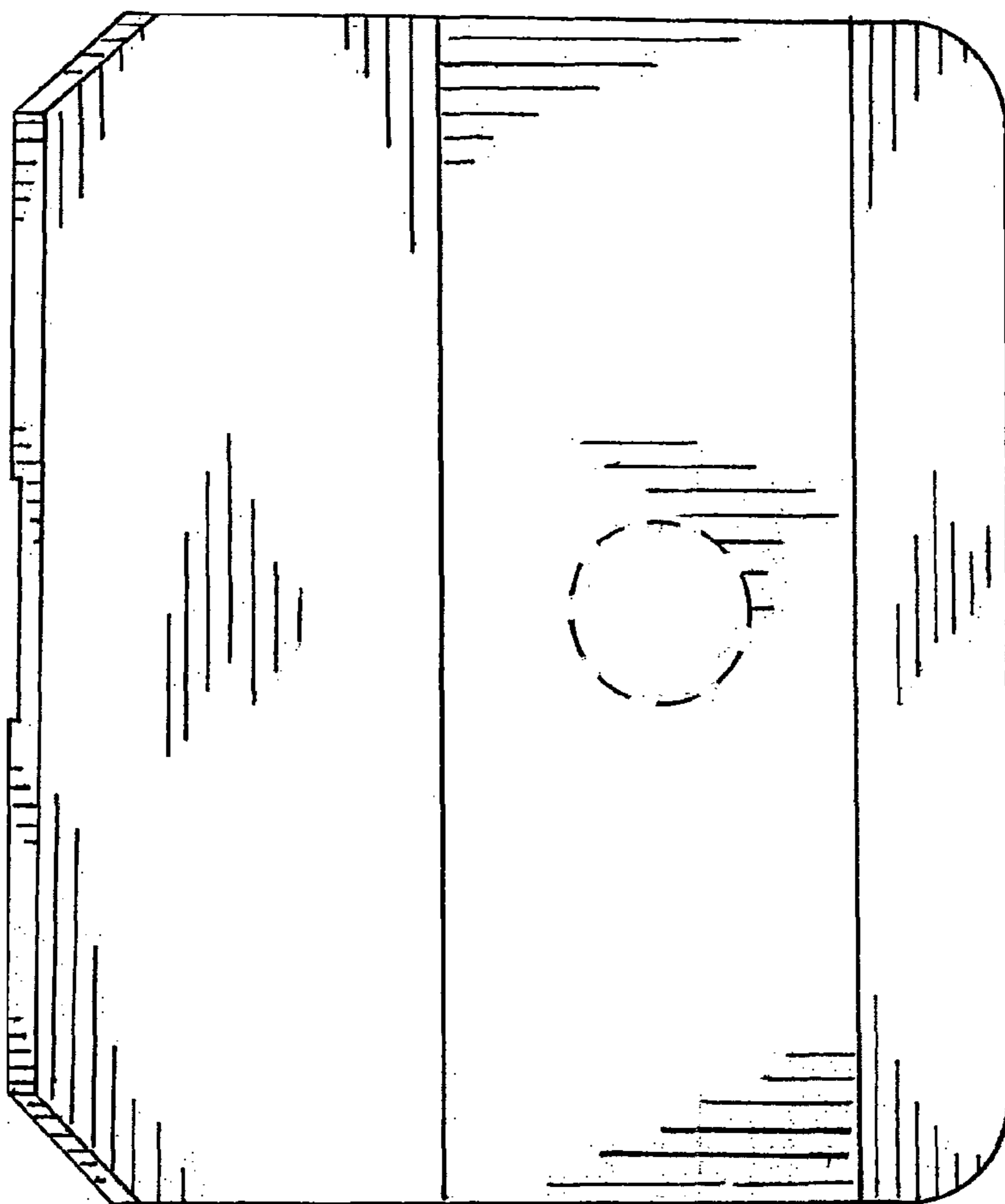


FIG. 5

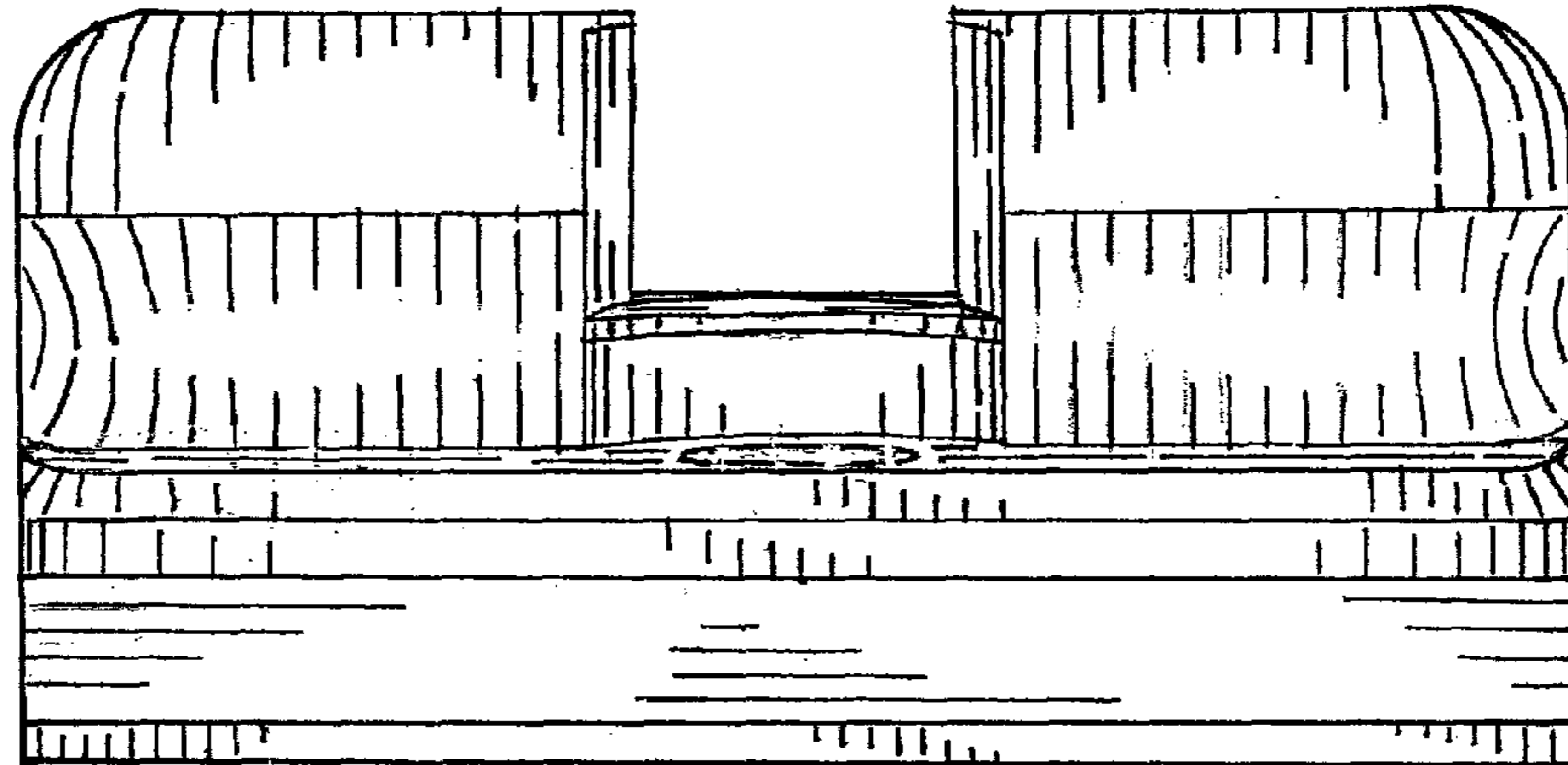


FIG. 6

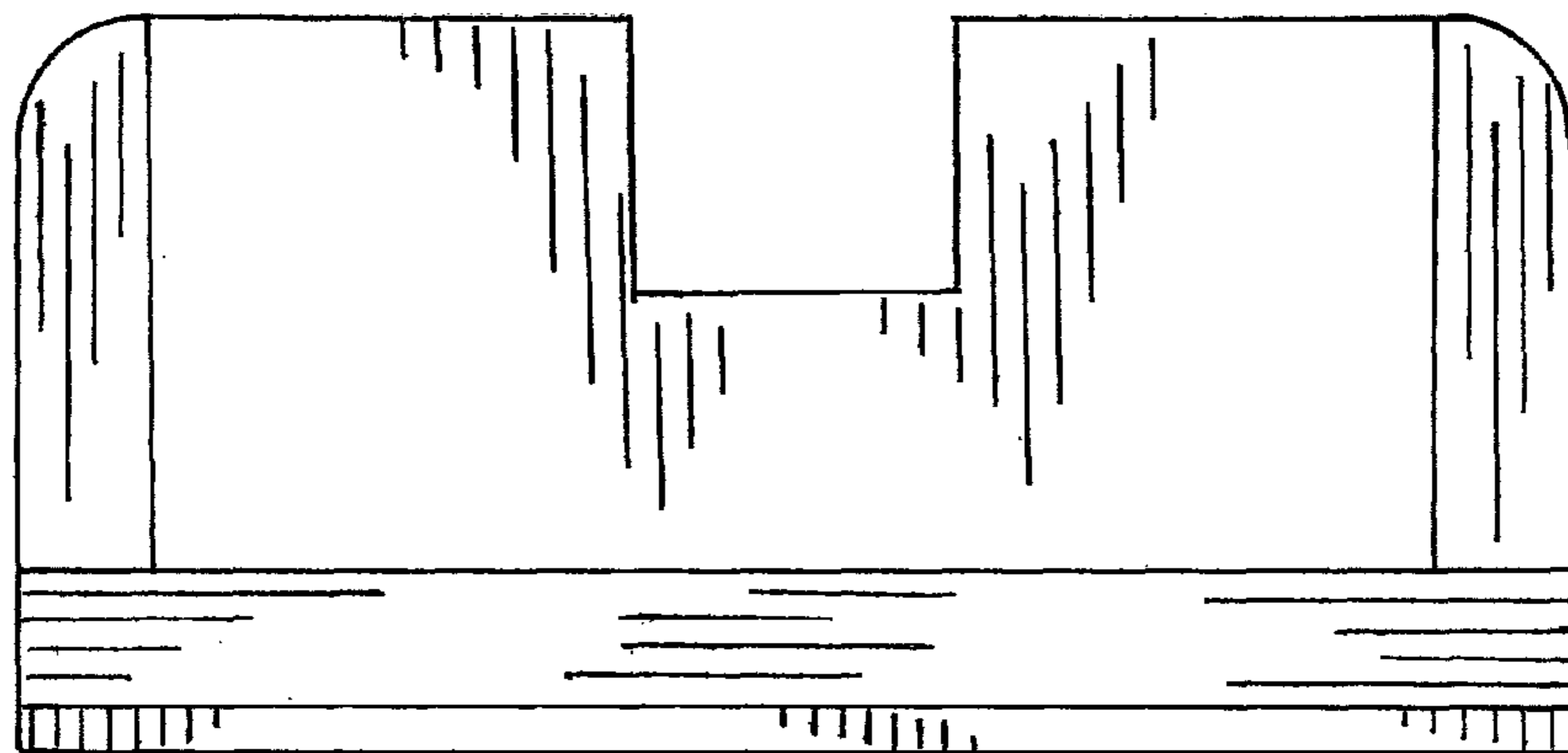


FIG. 7

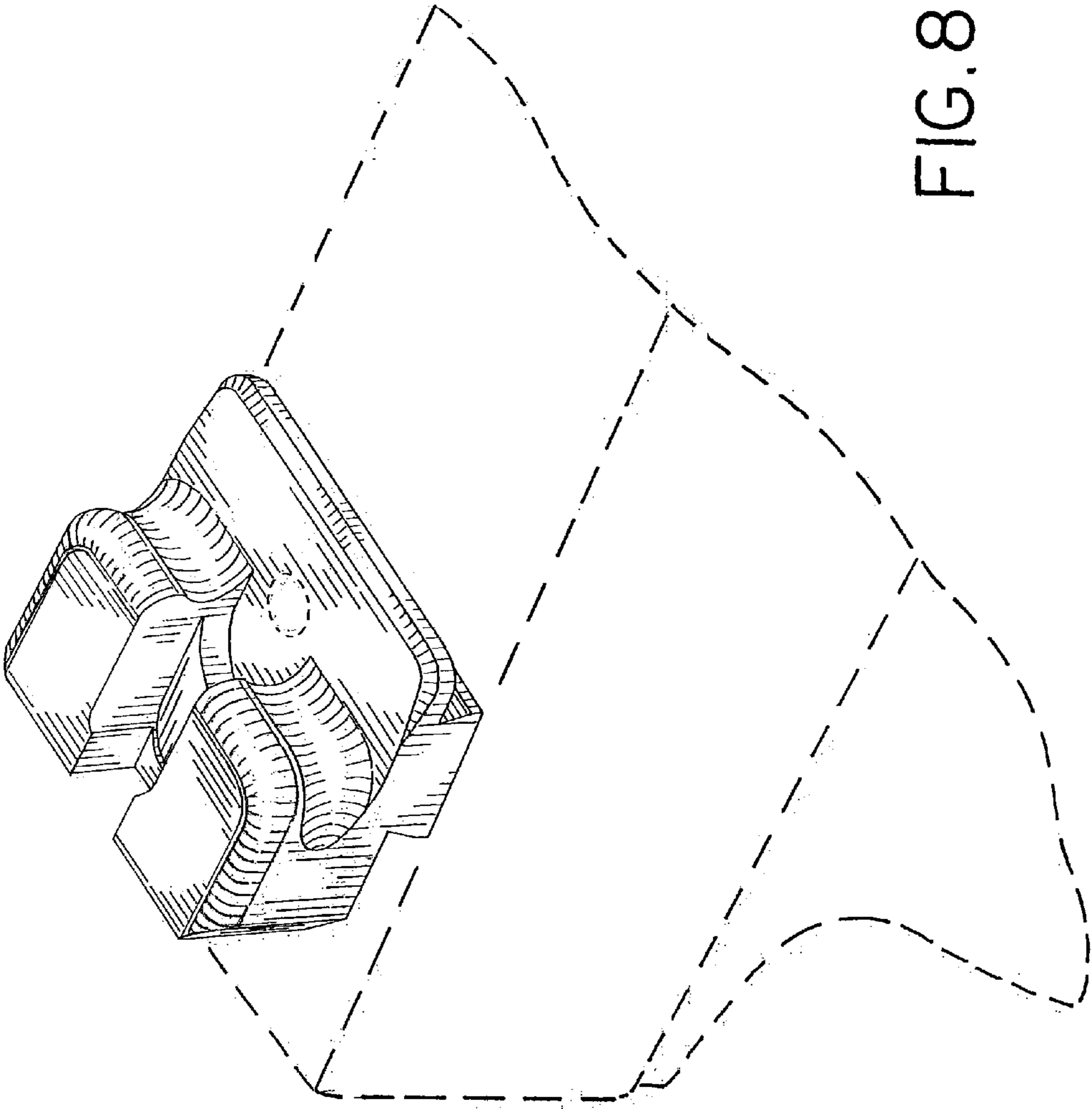


FIG. 8