



US00D733815S

(12) **United States Design Patent**  
**Gustafson**

(10) **Patent No.:** **US D733,815 S**  
(45) **Date of Patent:** **\*\* Jul. 7, 2015**

(54) **EXERCISE HANDLE WITH TWO-AXIS  
ROTATION CAPABILITY**

(71) Applicant: **Mark Gustafson**, Folsom, CA (US)

(72) Inventor: **Mark Gustafson**, Folsom, CA (US)

(\*\*) Term: **14 Years**

(21) Appl. No.: **29/491,437**

(22) Filed: **May 21, 2014**

(51) **LOC (10) Cl.** ..... **21-02**

(52) **U.S. Cl.**  
USPC ..... **D21/694**

(58) **Field of Classification Search**

USPC ..... D21/688, 662, 686, 679, 691, 682, 694,  
D21/753, 400, 723, 775, 726, 672, 684,  
D21/681; D24/211, 212, 214; 601/120;  
36/134; 29/428; 12/142 P; 482/50, 106,  
482/139, 46, 107, 129, 121, 102, 45, 92, 93,  
482/44, 108, 110, 111, 94, 105, 109, 49,  
482/141; 604/1; 446/170; 135/77; D7/682,  
D7/669; D8/376, 378, 77; D3/7; D10/81;  
D25/126; 473/256

CPC ..... Y10T 29/49826; A63B 21/0552;  
A63B 21/0442; A63B 21/0557; A63B  
21/1469; A63B 21/00065; A63B 21/00069;  
A63B 23/12

See application file for complete search history.

(56) **References Cited**

**U.S. PATENT DOCUMENTS**

D274,283 S *	6/1984	Wright	.....	D21/682
4,629,184 A *	12/1986	Selkee	.....	482/106
4,632,391 A *	12/1986	Orak	.....	482/110
D302,195 S *	7/1989	Orak	.....	D21/682
4,902,005 A *	2/1990	McNeill	.....	482/93
5,024,434 A *	6/1991	Smith	.....	482/107
D321,230 S *	10/1991	Leonesio	.....	D21/682

5,080,349 A *	1/1992	Vittone	.....	482/106
D328,112 S *	7/1992	Maddix et al.	.....	D21/694
5,281,192 A *	1/1994	Nelson	.....	482/93
5,334,113 A *	8/1994	Roepke	.....	482/106
5,407,405 A *	4/1995	Oren	.....	482/50
5,709,637 A *	1/1998	Gow et al.	.....	482/129
5,730,689 A *	3/1998	Haugen	.....	482/139
6,039,679 A *	3/2000	Yu	.....	482/110
D438,265 S *	2/2001	Fenelon	.....	D21/682
D445,851 S *	7/2001	Larkins, Jr.	.....	D21/662
D480,438 S *	10/2003	Walkow	.....	D21/681
6,652,420 B2 *	11/2003	Chen	.....	482/45
7,238,147 B2 *	7/2007	Mills et al.	.....	482/106
8,974,351 B2 *	3/2015	Wallisch	.....	482/45
2004/0082448 A1 *	4/2004	Martin	.....	482/139
2006/0073951 A1 *	4/2006	Walkow	.....	482/109
2008/0051270 A1 *	2/2008	Lazar	.....	482/105
2013/0035218 A1 *	2/2013	Wierszewski	.....	482/106
2014/0206509 A1 *	7/2014	Hodes et al.	.....	482/106

\* cited by examiner

*Primary Examiner* — Robert M Spear

*Assistant Examiner* — Ryan Harvey

(74) *Attorney, Agent, or Firm* — Craig A. Simmermon

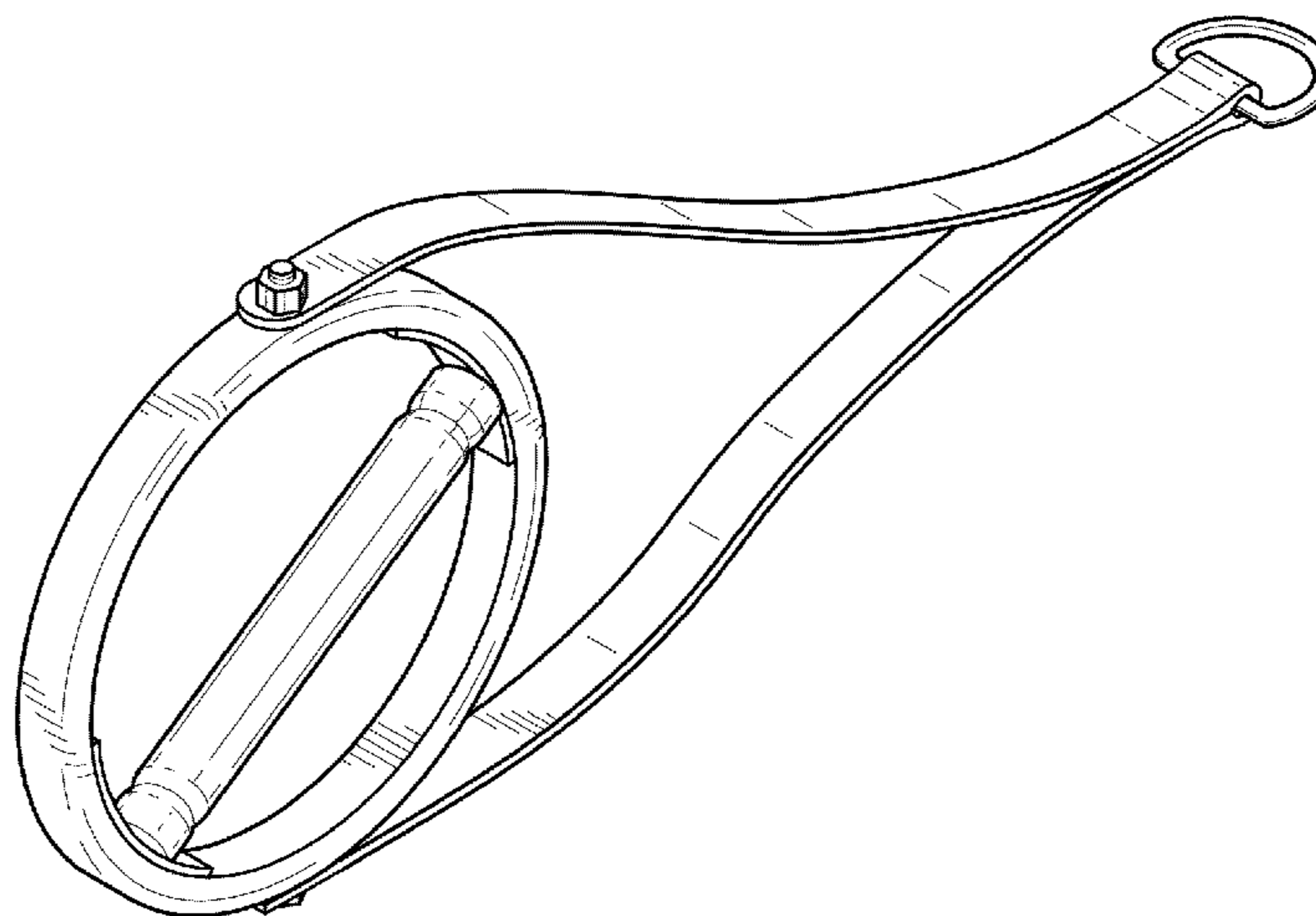
(57) **CLAIM**

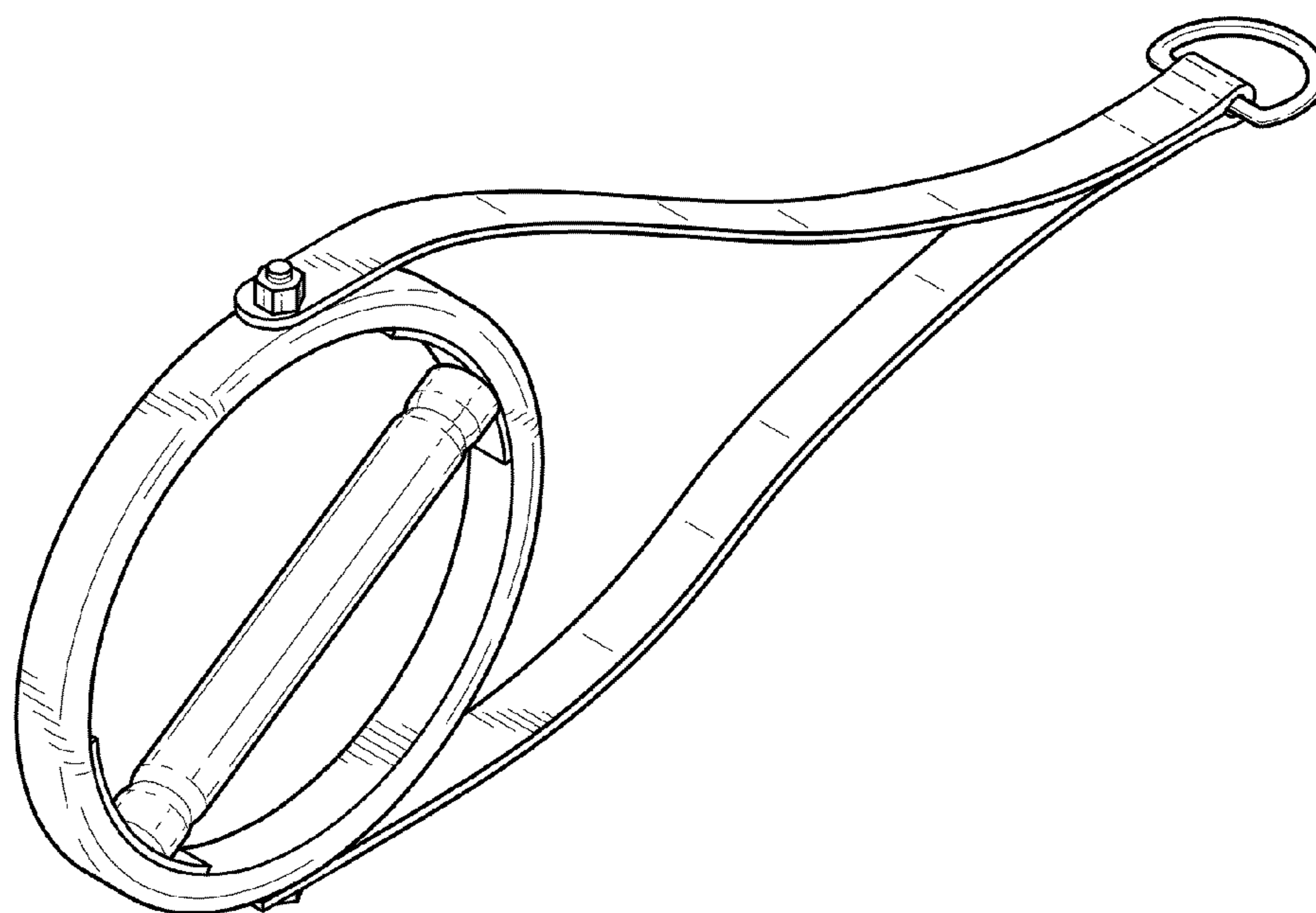
The ornamental design for an exercise handle with two-axis rotation capability, as shown and described.

**DESCRIPTION**

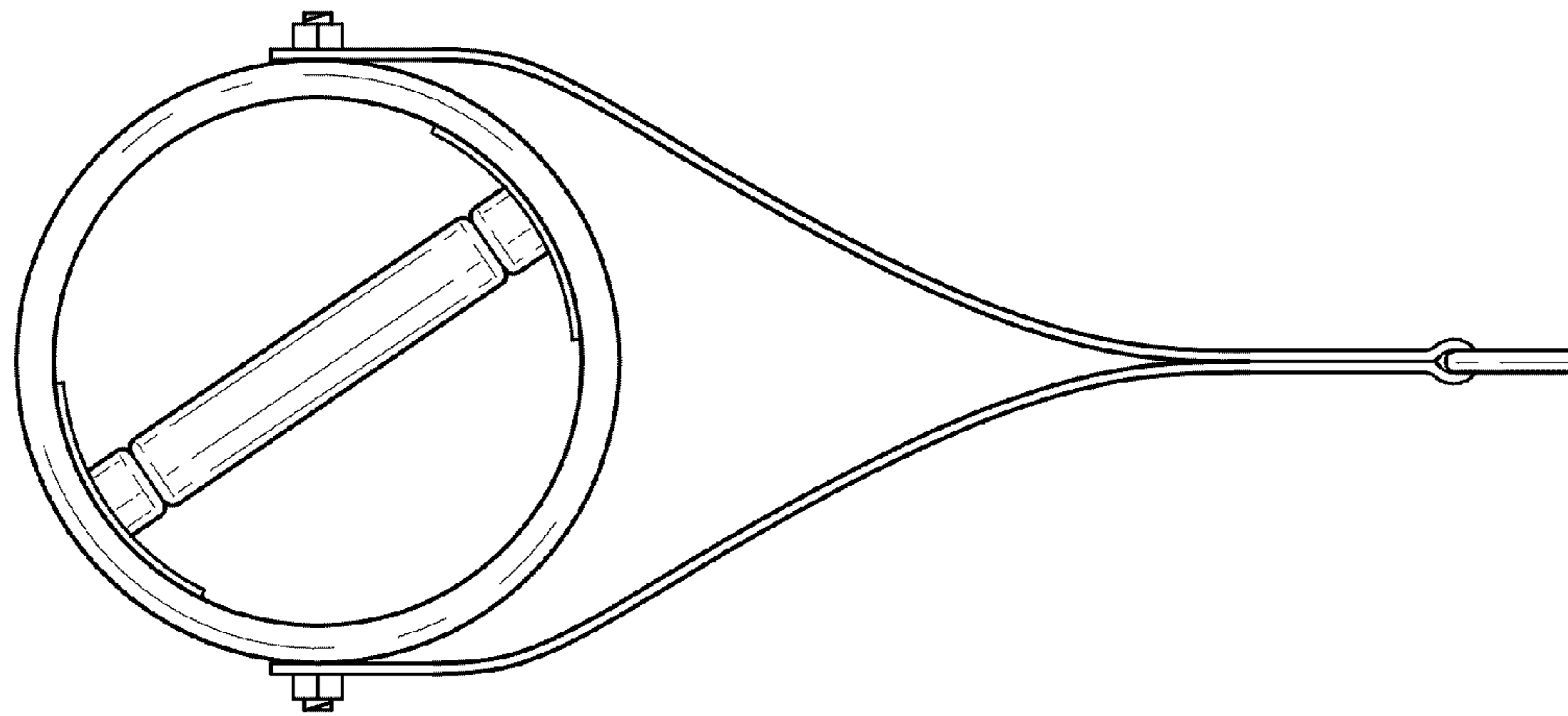
FIG. 1 is a perspective view of an exercise handle with two-axis rotation capability showing my new design; FIG. 2 is a side elevation view thereof with broken line arrows depicting the counterclockwise rotational capability of the grip inside the ring; FIG. 3 is a side elevation view thereof; FIG. 4 is a top plan view thereof; FIG. 5 is a top plan view thereof; FIG. 6 is a top plan view thereof; FIG. 7 is a front elevation view thereof; and, FIG. 8 is a rear elevation view thereof.

**1 Claim, 4 Drawing Sheets**

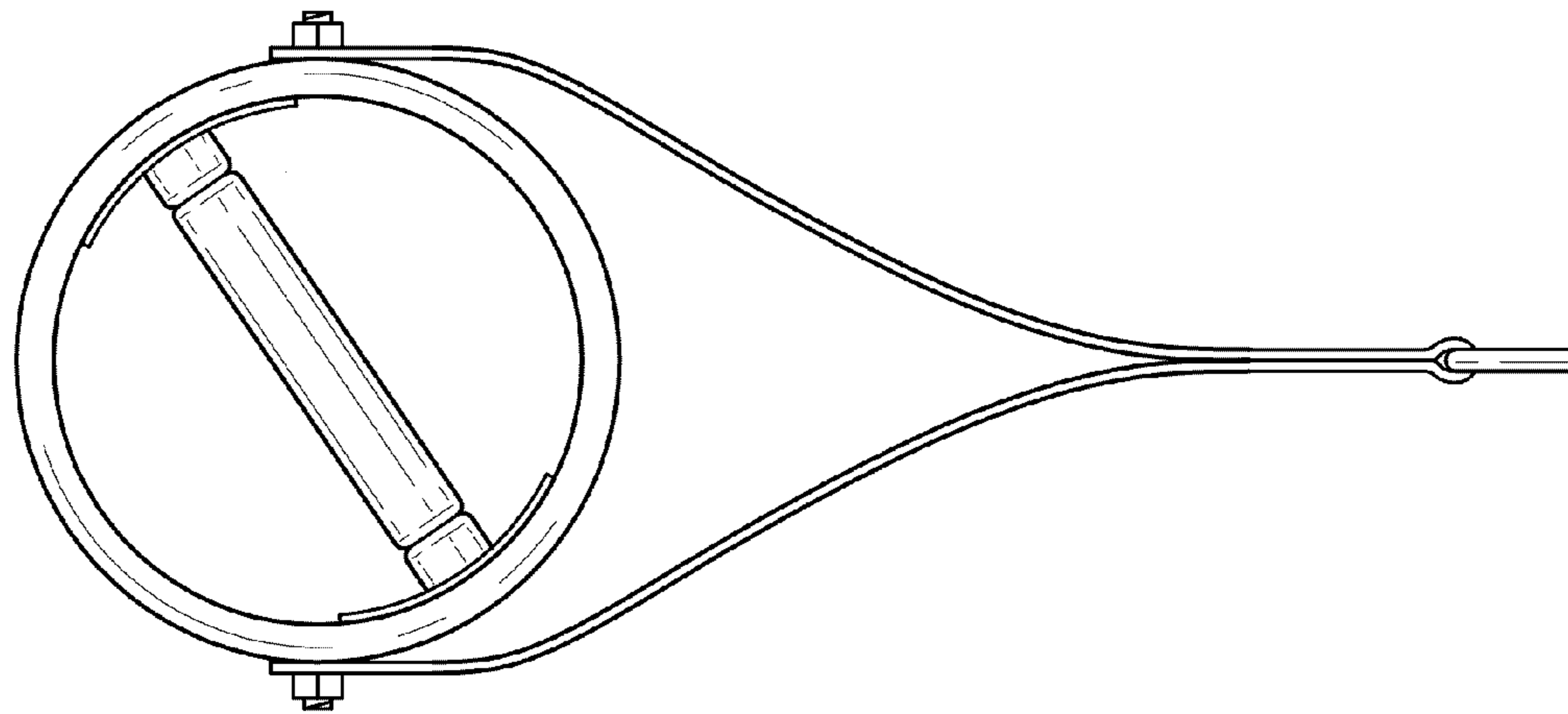




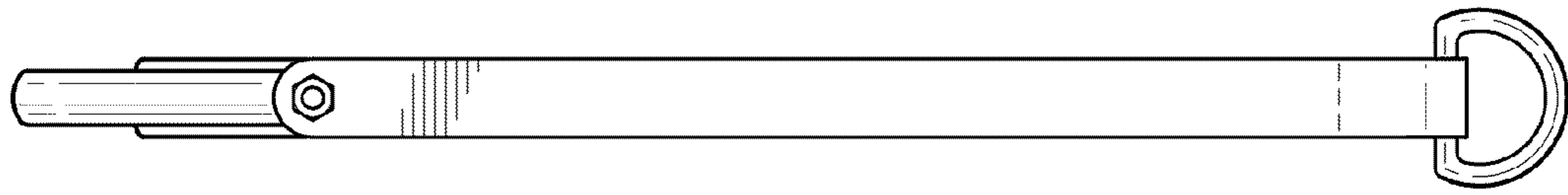
**FIG. 1**



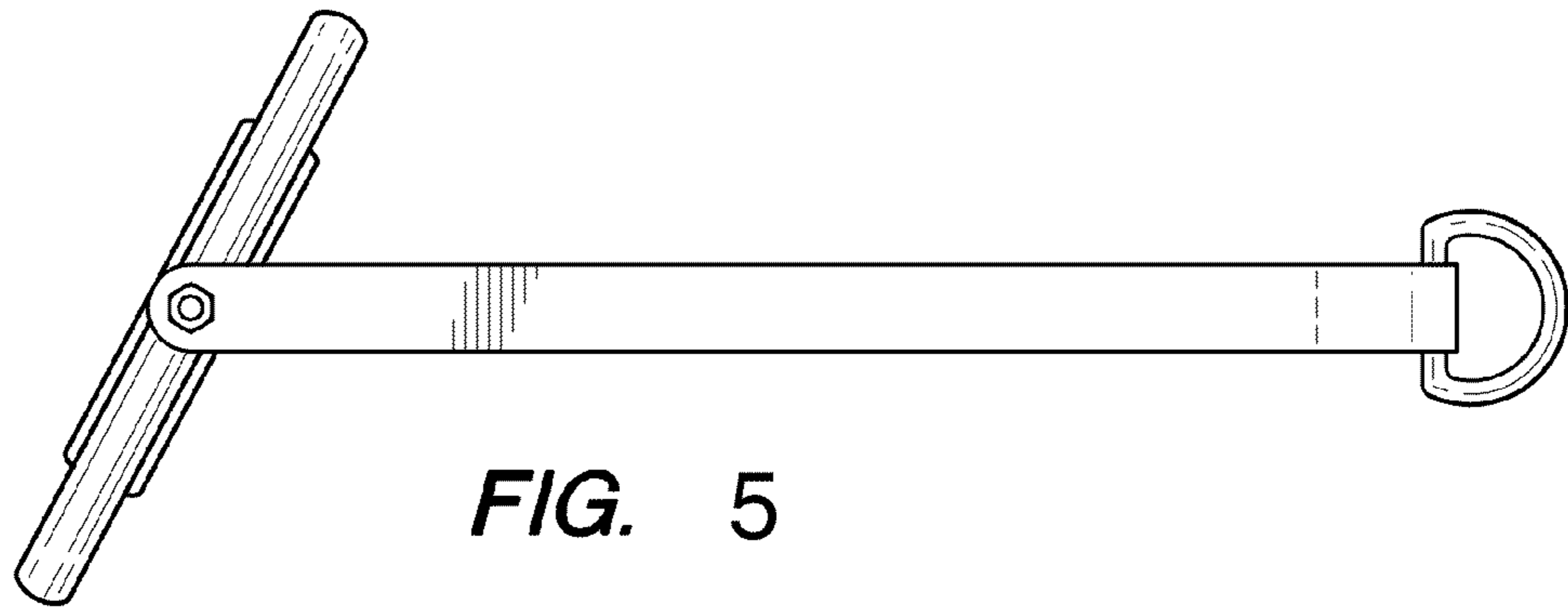
**FIG. 2**



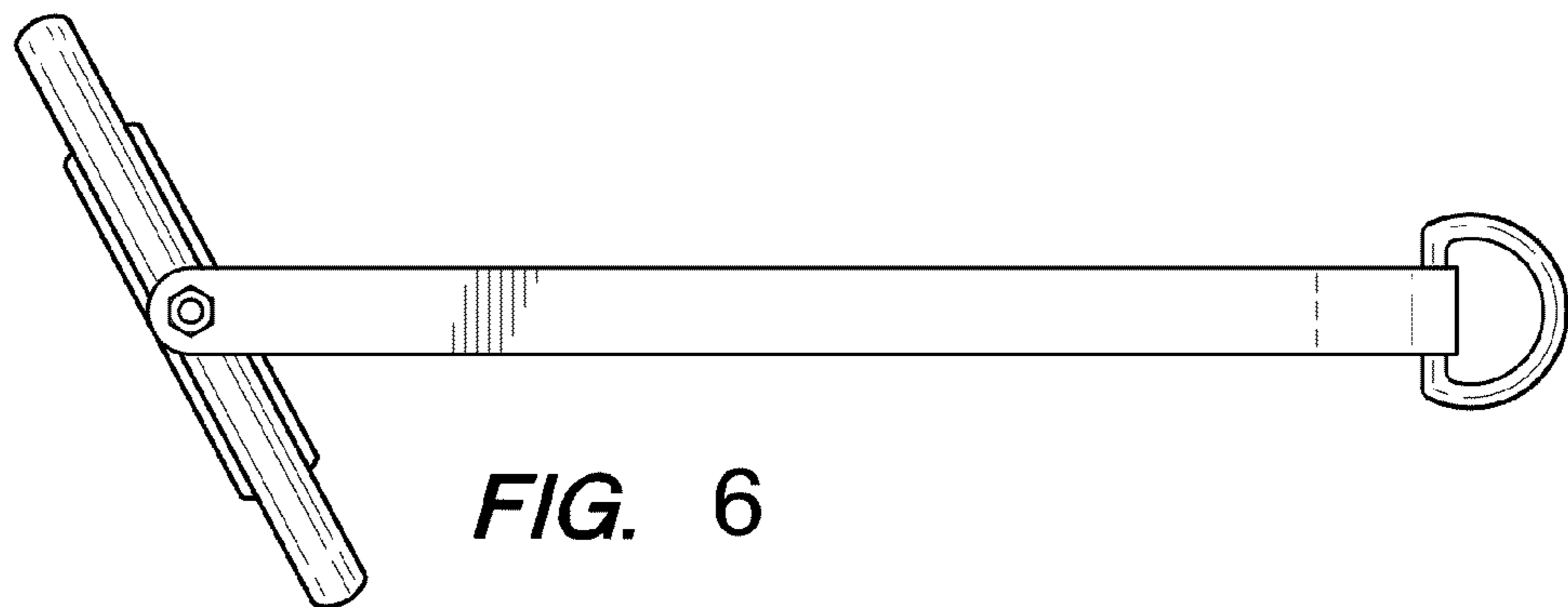
**FIG. 3**



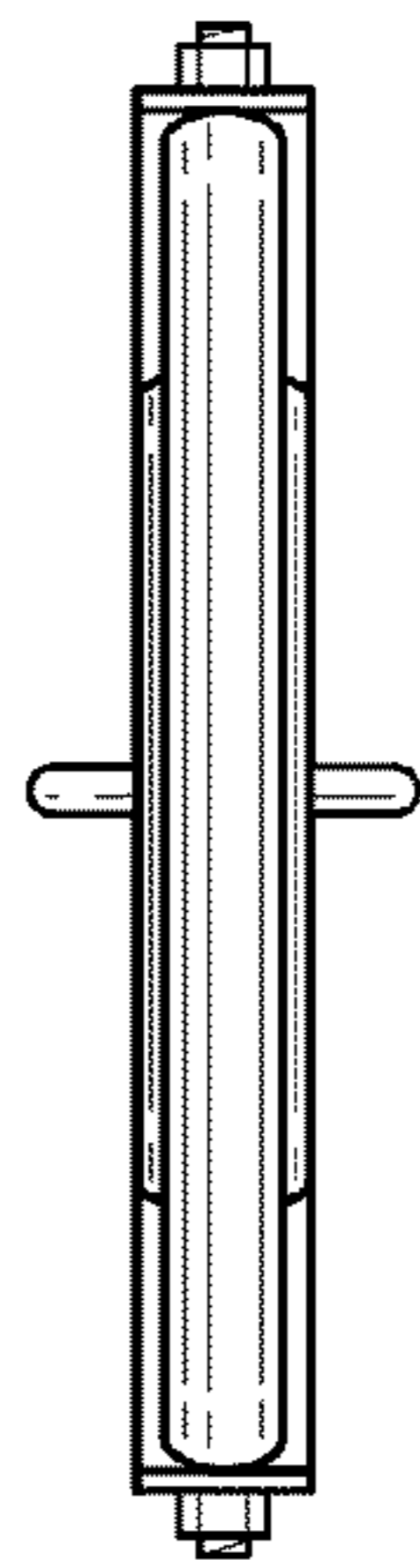
*FIG. 4*



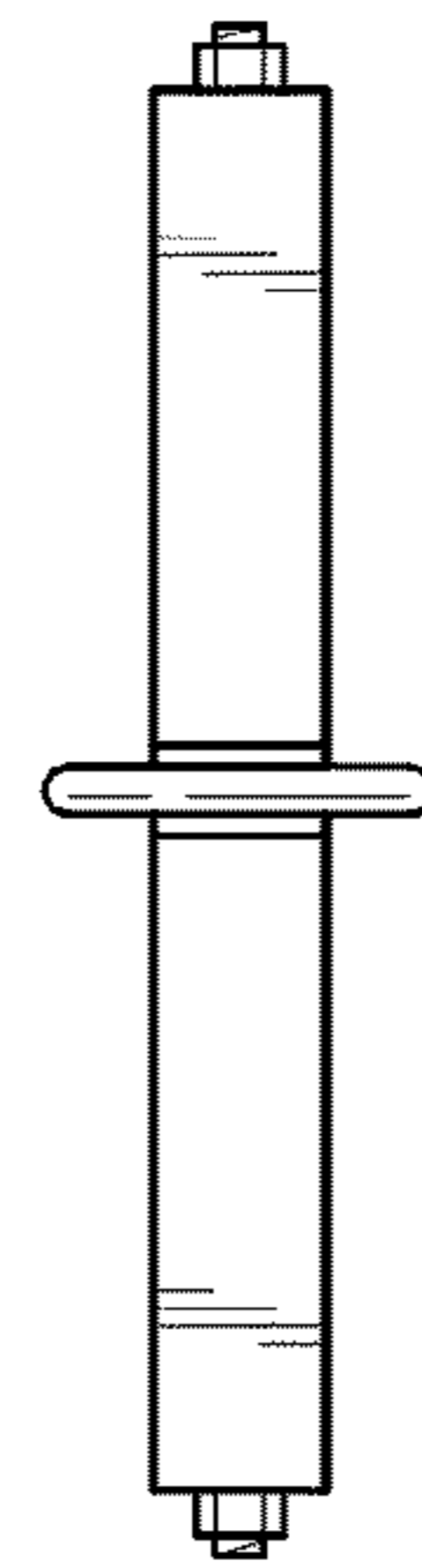
*FIG. 5*



*FIG. 6*



**FIG. 7**



**FIG. 8**