



US00D733814S

(12) **United States Design Patent**
Gustafson

(10) **Patent No.:** **US D733,814 S**
(45) **Date of Patent:** **** Jul. 7, 2015**

(54) **EXERCISE BALL WITH TWO STEPS**

(71) Applicant: **Mark Gustafson**, Folsom, CA (US)

(72) Inventor: **Mark Gustafson**, Folsom, CA (US)

(**) Term: **14 Years**

(21) Appl. No.: **29/491,441**

(22) Filed: **May 21, 2014**

(51) **LOC (10) Cl.** **21-02**

(52) **U.S. Cl.**
USPC **D21/662**

(58) **Field of Classification Search**
USPC 482/142, 112, 93, 140, 91, 148, 146,
482/52, 147, 121, 139, 14, 34, 79, 145, 44,
482/77, 49, 7, 3, 47; D21/662, 713, 680,
D21/692, 686, 688; D30/117; 691/23;
473/596, 614, 422, 595, 598, 607;
297/311, 354.1, 411.3, 452.1, 452.41,
297/271.5, 258.1, 270.1, 270.5, 344.1,
297/451.13, 452.17; 248/599; 601/129,
601/131, 40, 120, 134, 135; 73/379.01,
73/379.08, 379.09; 340/323 R, 384.71;
D6/661.3; 273/342; 267/137, 153;
173/162.2; 30/383; 200/18, 6 A;
D11/26; D32/40; D3/215; D24/200;
5/636

See application file for complete search history.

(56) **References Cited**

U.S. PATENT DOCUMENTS

3,785,642 A *	1/1974	Sterlicchi	482/51
D241,869 S *	10/1976	Hilprecht	D21/713
D363,752 S *	10/1995	Shumber et al.	D21/678
5,566,948 A *	10/1996	Kidd	273/342
D568,950 S *	5/2008	Yewer, Jr.	D21/662
D634,792 S *	3/2011	Goodman-Pollack	D21/453
D651,671 S *	1/2012	Ross et al.	D21/680
D659,204 S *	5/2012	Cotter	D21/680
D670,040 S *	10/2012	Aboujaoude	D30/117
2012/0184414 A1 *	7/2012	Osborn	482/93

* cited by examiner

Primary Examiner — Robert M Spear
Assistant Examiner — Ryan Harvey
(74) *Attorney, Agent, or Firm* — Craig A. Simmermon

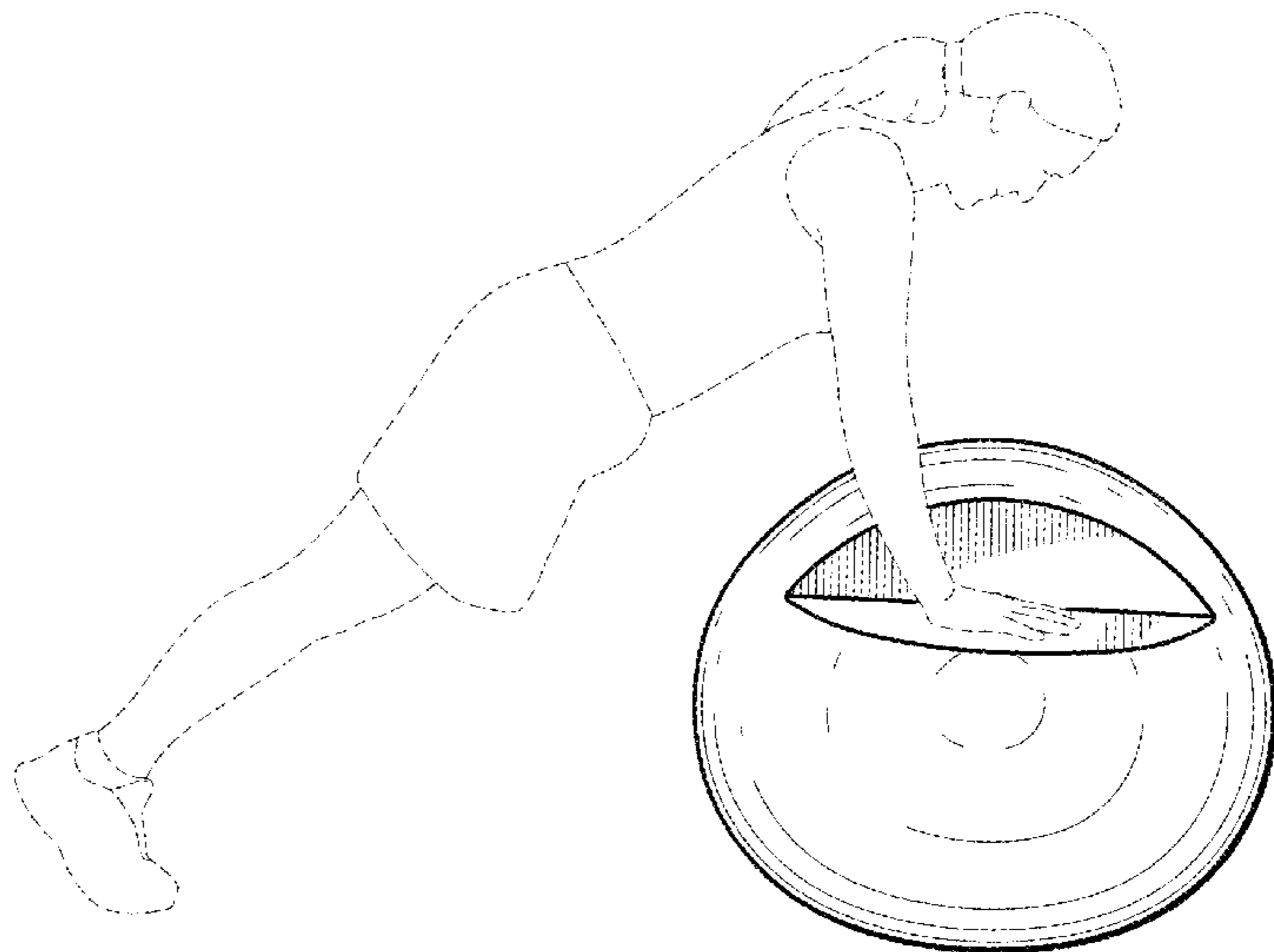
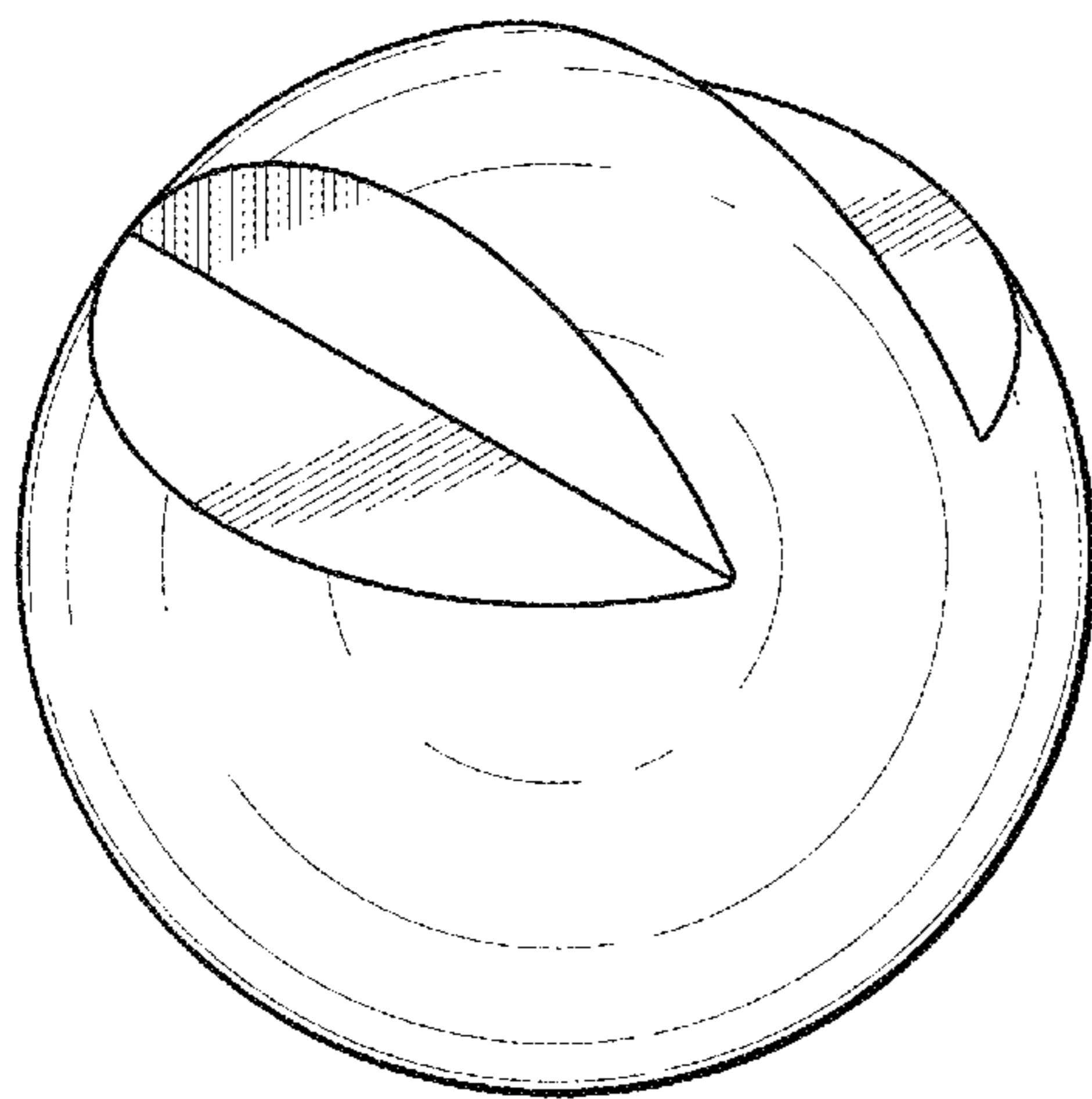
(57) **CLAIM**

The ornamental design for an exercise ball with two steps, as shown and described.

DESCRIPTION

FIG. 1 is a perspective view of an exercise ball with two steps showing my new design;
FIG. 2 is a front elevation view of FIG. 1;
FIG. 3 is a side elevation view of FIG. 1;
FIG. 4 is a top plan view of FIG. 1;
FIG. 5 is a bottom plan view of FIG. 1;
FIG. 6 is a perspective view of a person depicted in broken lines exercising with exercise ball with two steps; and,
FIG. 7 is a perspective view of another person depicted in broken lines exercising with exercise ball with two steps.
The broken lines in the drawings represent unclaimed environmental subject matter and form no part of the claim.

1 Claim, 4 Drawing Sheets



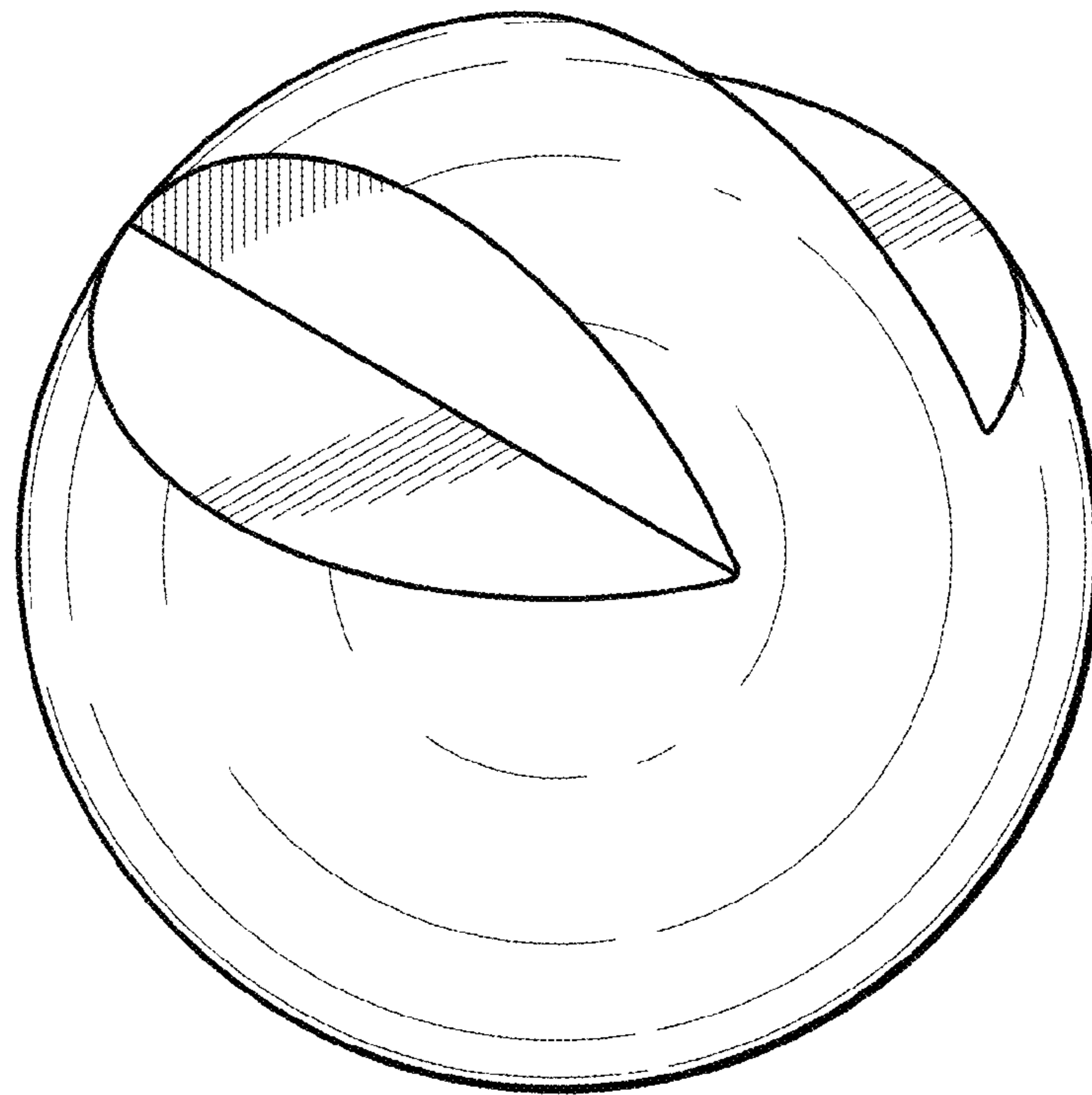


FIG. 1

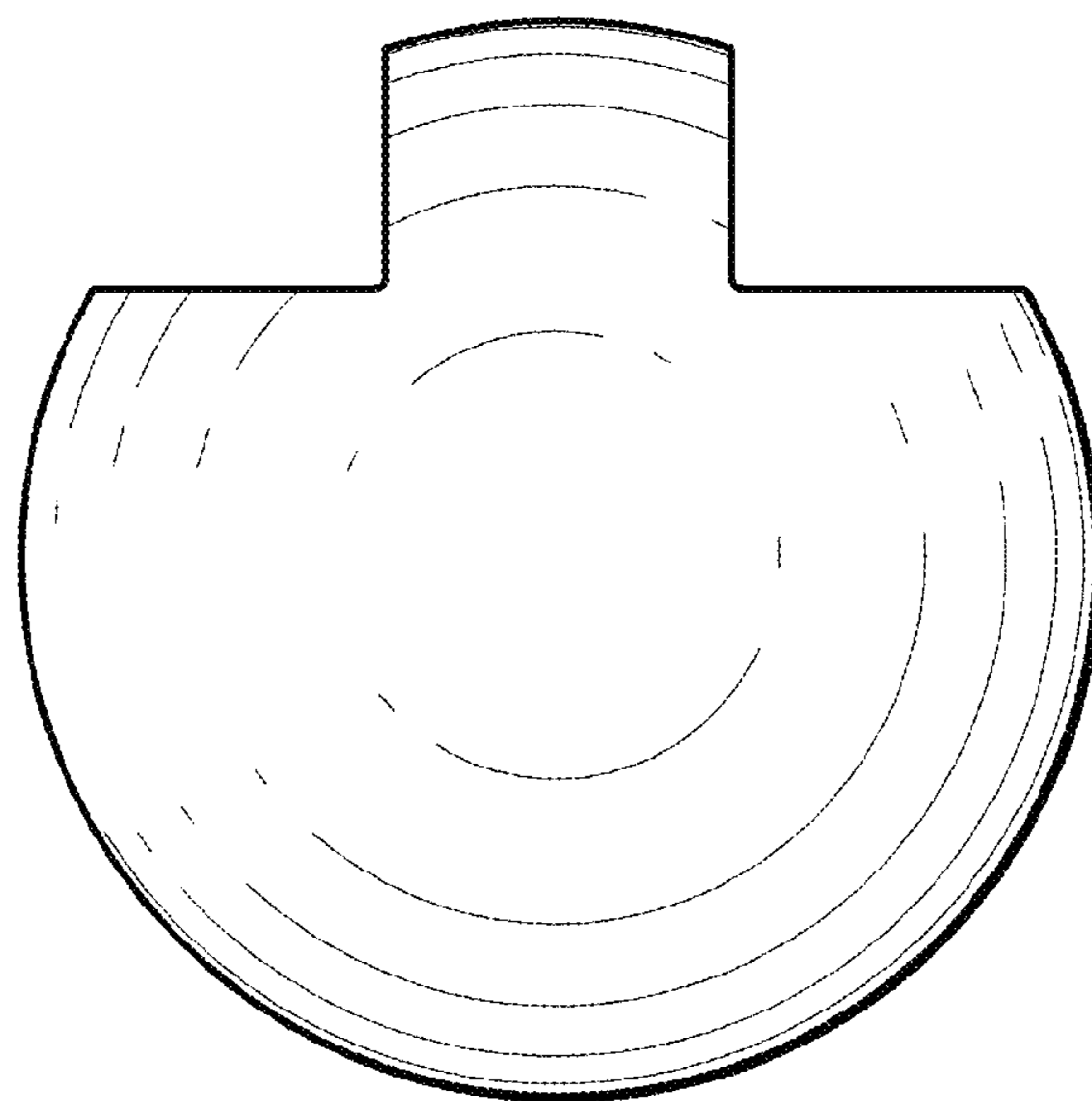


FIG. 2

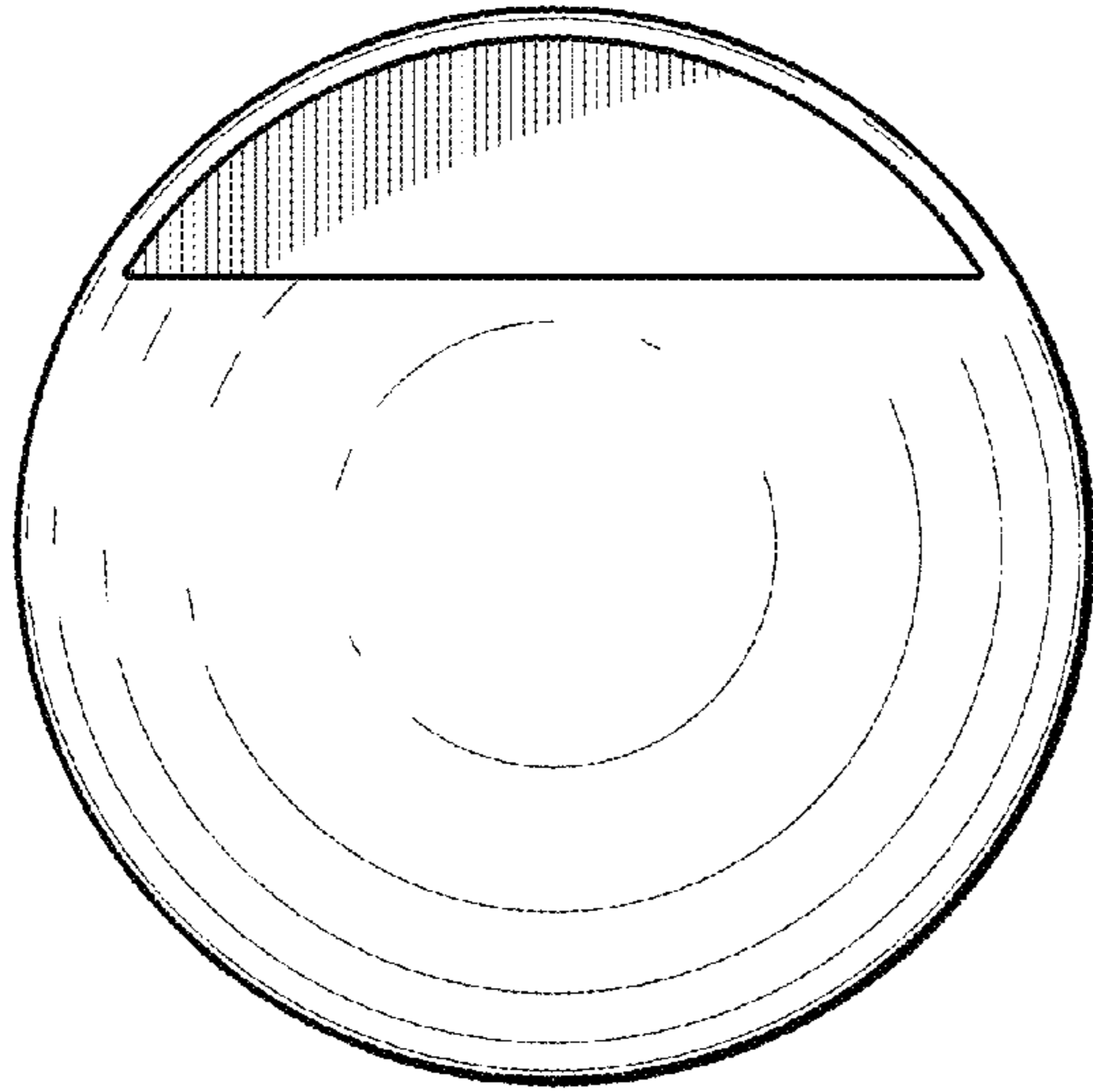


FIG. 3

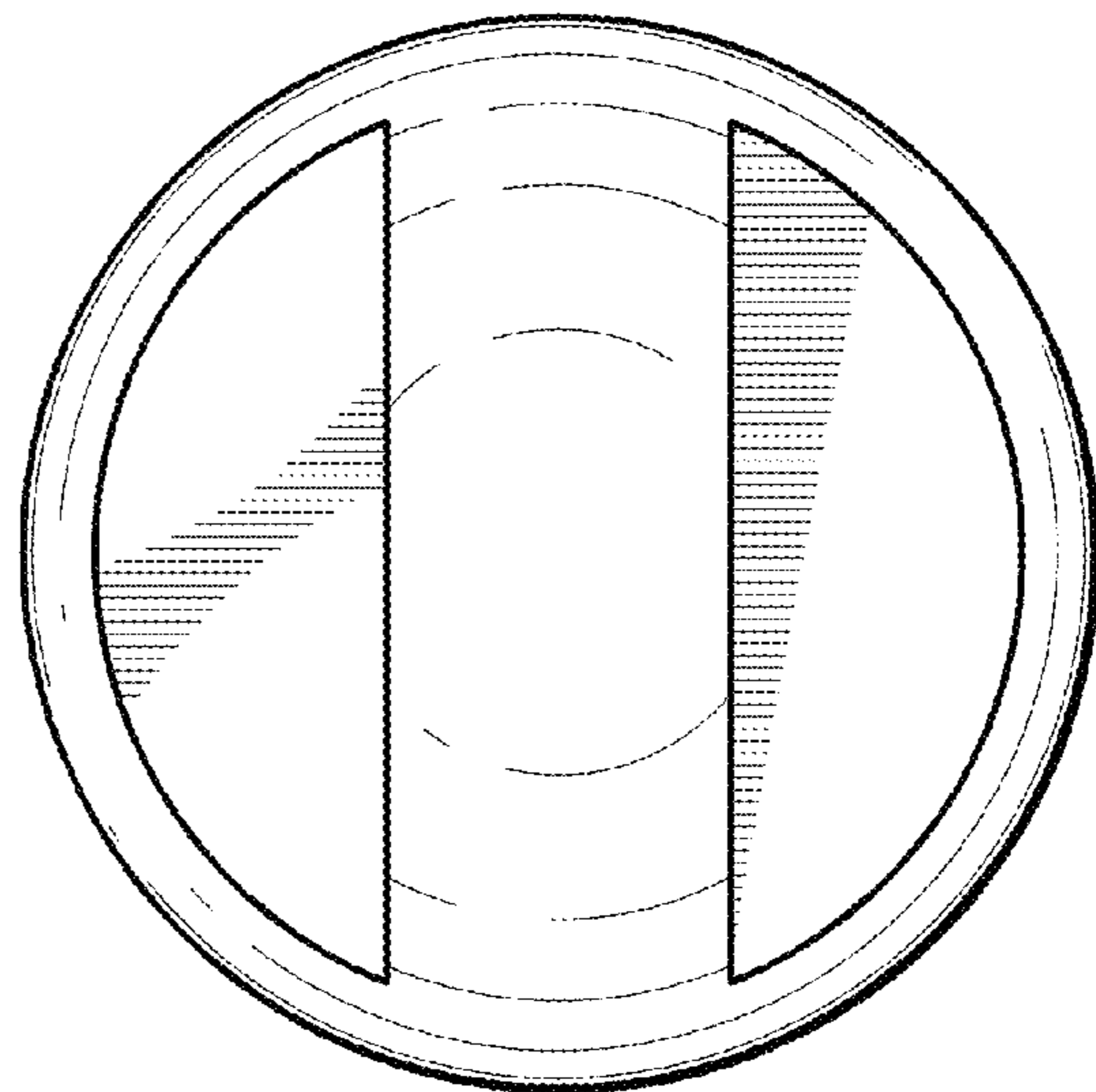


FIG. 4

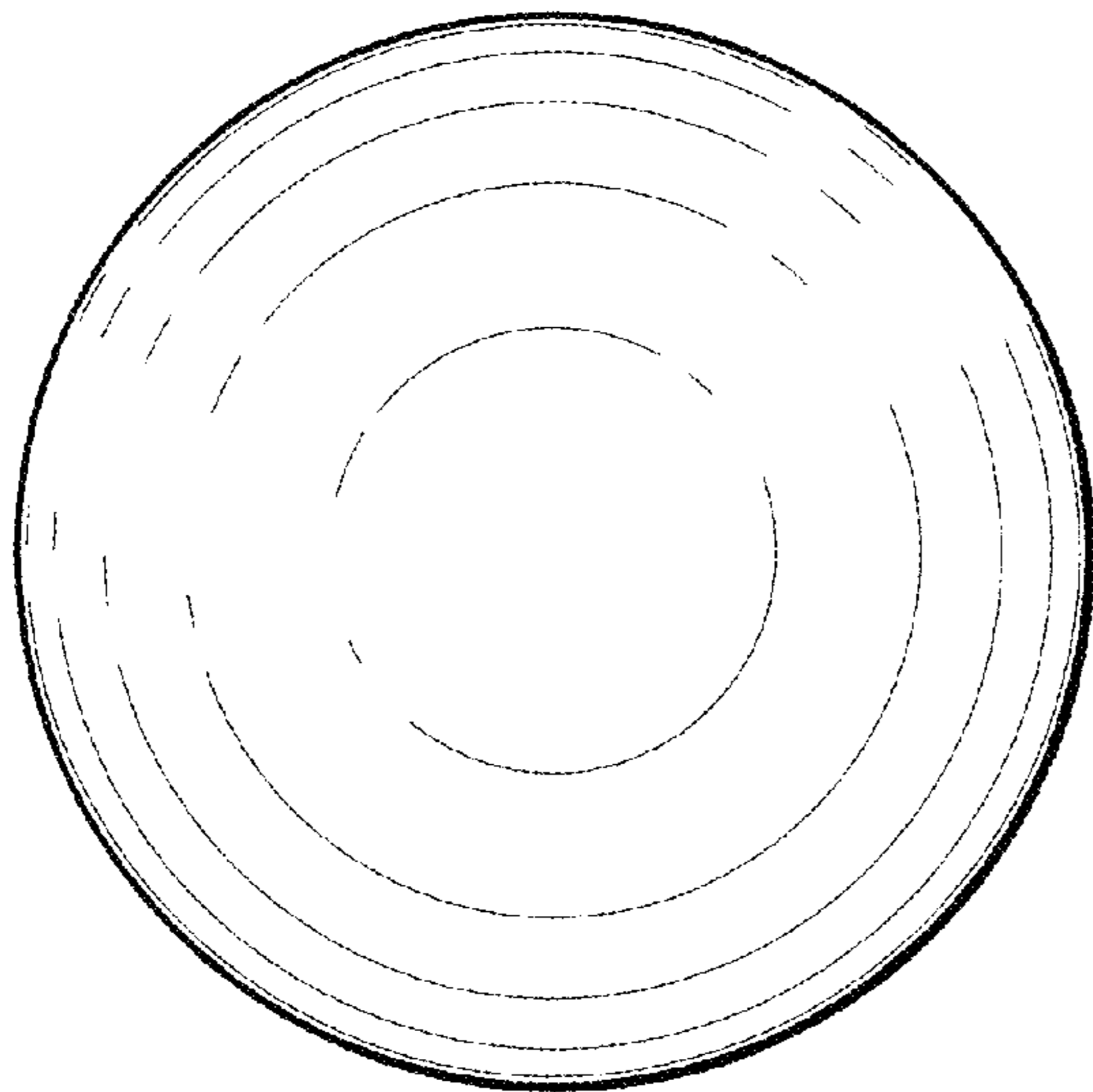


FIG. 5

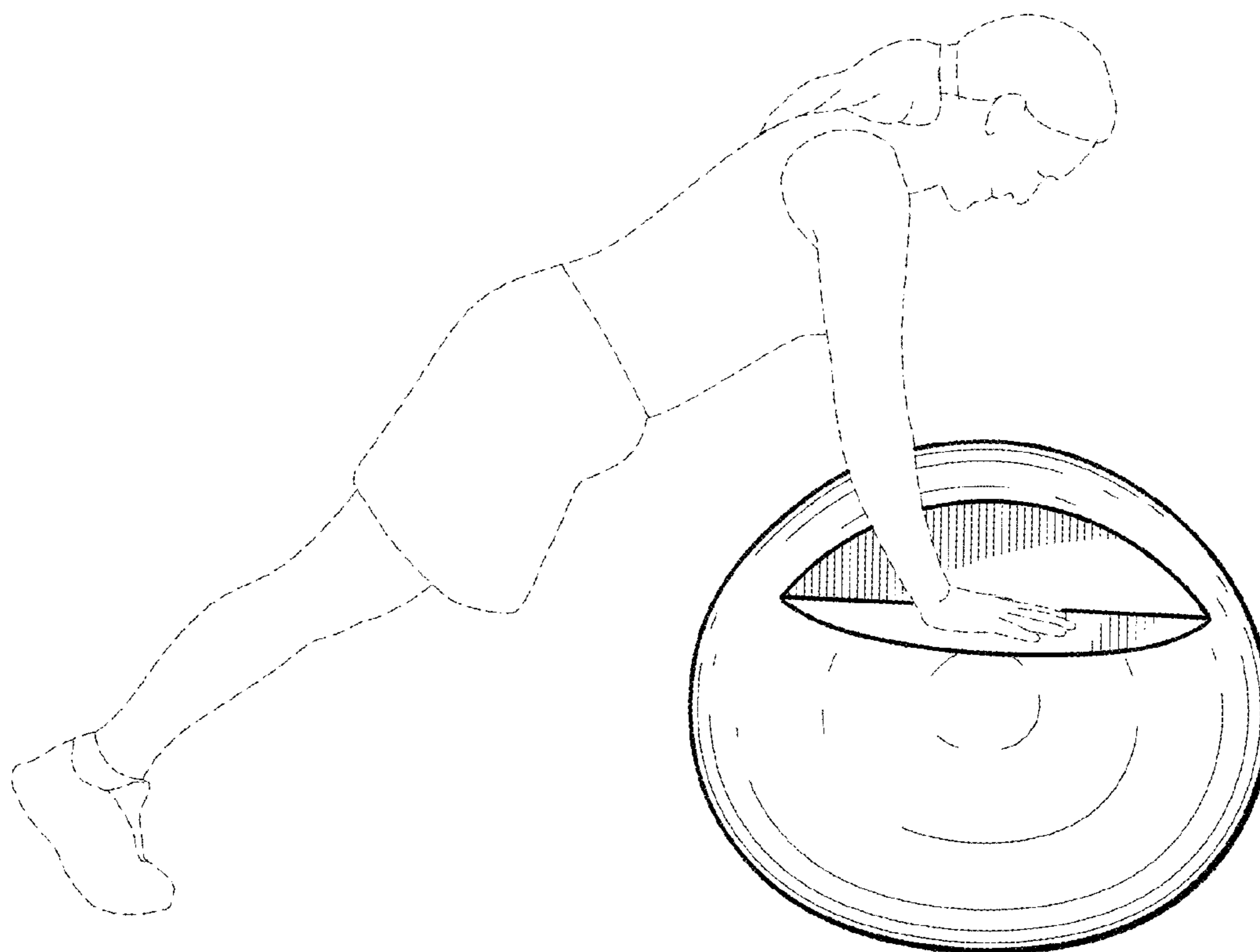


FIG. 6

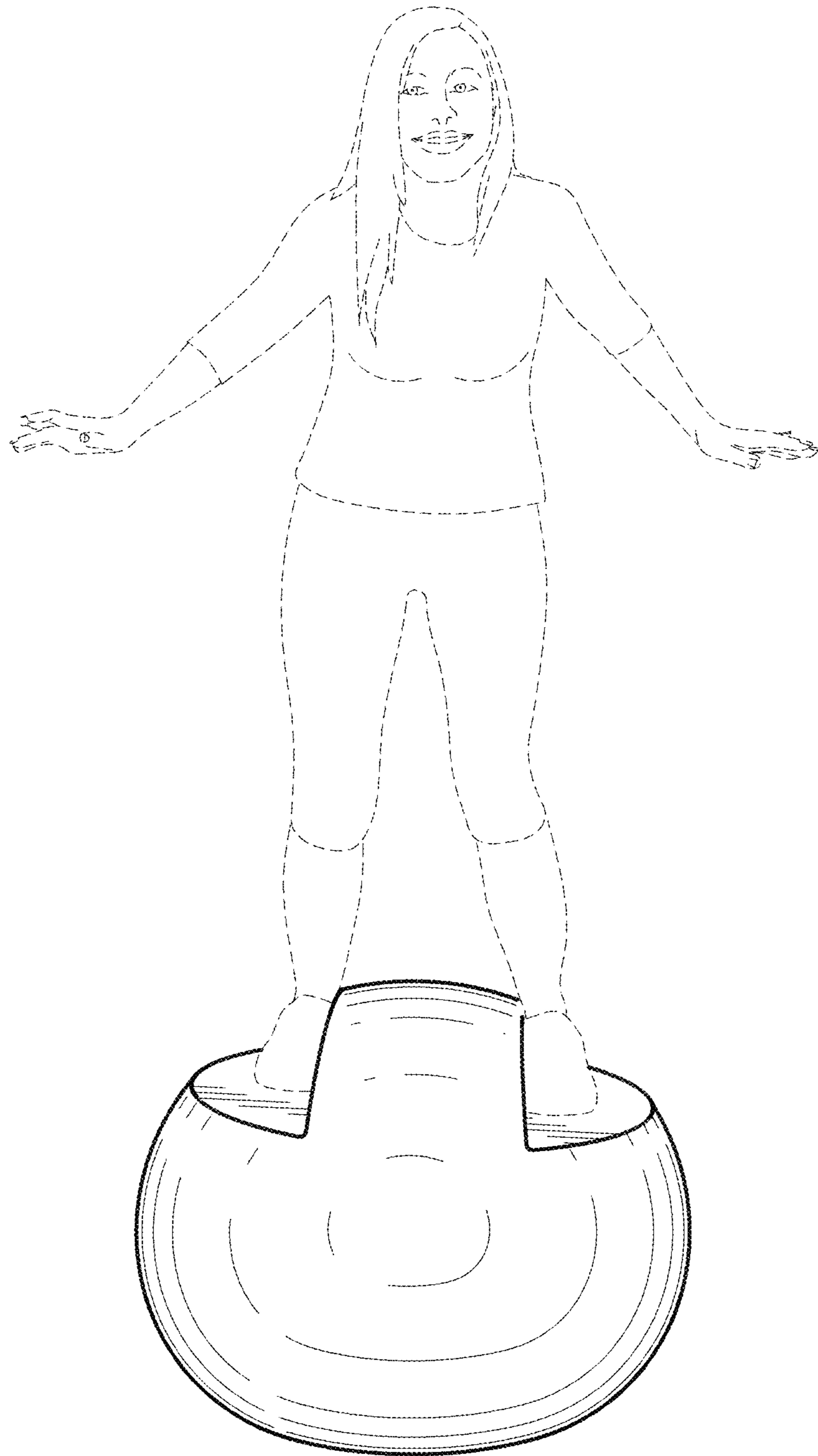


FIG. 7