



US00D733803S

(12) **United States Design Patent**
Plakas et al.

(10) **Patent No.:** **US D733,803 S**
(45) **Date of Patent:** **** Jul. 7, 2015**

- (54) **LOTTERY TERMINAL**
- (71) Applicant: **Intralot S.A. Integrated Lottery Systems and Services, Athens (GR)**
- (72) Inventors: **George Plakas, Athens (GR); Costas Vrahatis, Athens (GR); Georgios Kolios, Athens (GR); Nikos Angelopoulos, Athens (GR); Argiris Diamandis, Athens (GR); Lelouda Papanastasiou, Athens (GR)**
- (73) Assignee: **Intralot S.A. Integrated Lottery Systems and Services, Athens (GR)**
- (**) Term: **14 Years**
- (21) Appl. No.: **29/478,592**
- (22) Filed: **Jan. 7, 2014**
- (51) **LOC (10) Cl.** **21-03**
- (52) **U.S. Cl.**
USPC **D21/369**
- (58) **Field of Classification Search**
USPC D21/324–329, 369–370; 273/146; 463/17, 20, 46–47; D14/306
CPC A63F 59/04
See application file for complete search history.

D525,313 S	7/2006	Dattl et al.	
D540,398 S *	4/2007	Gadda et al.	D21/369
D562,409 S	2/2008	Shoui et al.	
D565,667 S	4/2008	Sugimori et al.	
D566,196 S *	4/2008	Morrow et al.	D21/329
D584,075 S	1/2009	Hung	
D587,254 S	2/2009	Morello et al.	
D607,947 S	1/2010	Antonopoulos et al.	
D635,198 S	3/2011	Antonopoulos et al.	
D642,628 S	8/2011	Plakas et al.	
8,057,302 B2 *	11/2011	Wells et al.	463/20
8,231,463 B2 *	7/2012	Wells et al.	463/20
8,587,663 B2	11/2013	Diamandis et al.	
2003/0122973 A1 *	7/2003	Huang	348/836
2003/0151198 A1	8/2003	Parra et al.	

* cited by examiner

Primary Examiner — Sandra Morris
(74) *Attorney, Agent, or Firm* — Wood, Herron & Evans, LLP

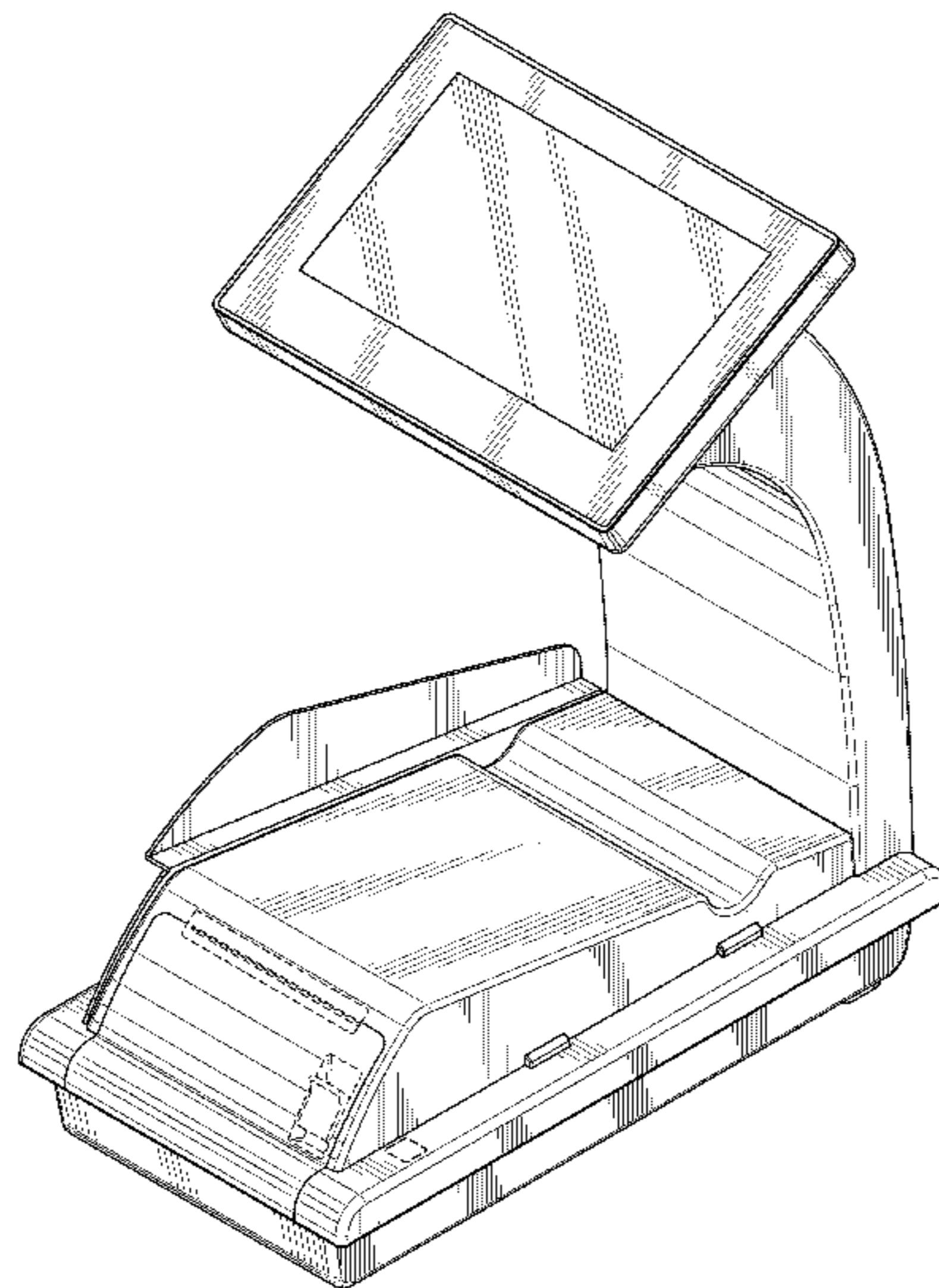
(57) **CLAIM**
The ornamental design for a lottery terminal, as shown and described.

DESCRIPTION

FIG. 1 is a perspective view of a lottery terminal with the broken lines adjacent to the shaded portions forming an unclaimed boundary of the design;
FIG. 2 is a front view of FIG. 1 of this invention;
FIG. 3 is a left side view of FIG. 1 of this invention;
FIG. 4 is a right side view of FIG. 1 of this invention;
FIG. 5 is a rear view of FIG. 1 of this invention;
FIG. 6 is a top view of FIG. 1 of this invention; and,
FIG. 7 is a bottom view of FIG. 1 of this invention.
Any elements shown in broken lines form no part of the claimed invention. The broken lines adjacent to the shaded portions form an unclaimed boundary of the design. The dash-dot lines are shown for environmental purposes only and form no part of the claimed design.

1 Claim, 7 Drawing Sheets

- (56) **References Cited**
U.S. PATENT DOCUMENTS
- | | | | |
|--------------|---------|-------------------|---------|
| D346,408 S * | 4/1994 | Lee | D21/330 |
| D395,458 S * | 6/1998 | Smith et al. | D21/329 |
| D410,499 S * | 6/1999 | Smith et al. | D21/329 |
| D414,525 S * | 9/1999 | Howard | D21/369 |
| D416,948 S * | 11/1999 | Soga | D21/330 |
| D447,137 S * | 8/2001 | Hultzman | D14/336 |
| D467,977 S * | 12/2002 | Gatto et al. | D21/326 |
| 6,514,145 B1 | 2/2003 | Kawabata et al. | |
| D513,627 S * | 1/2006 | Martin | D21/369 |



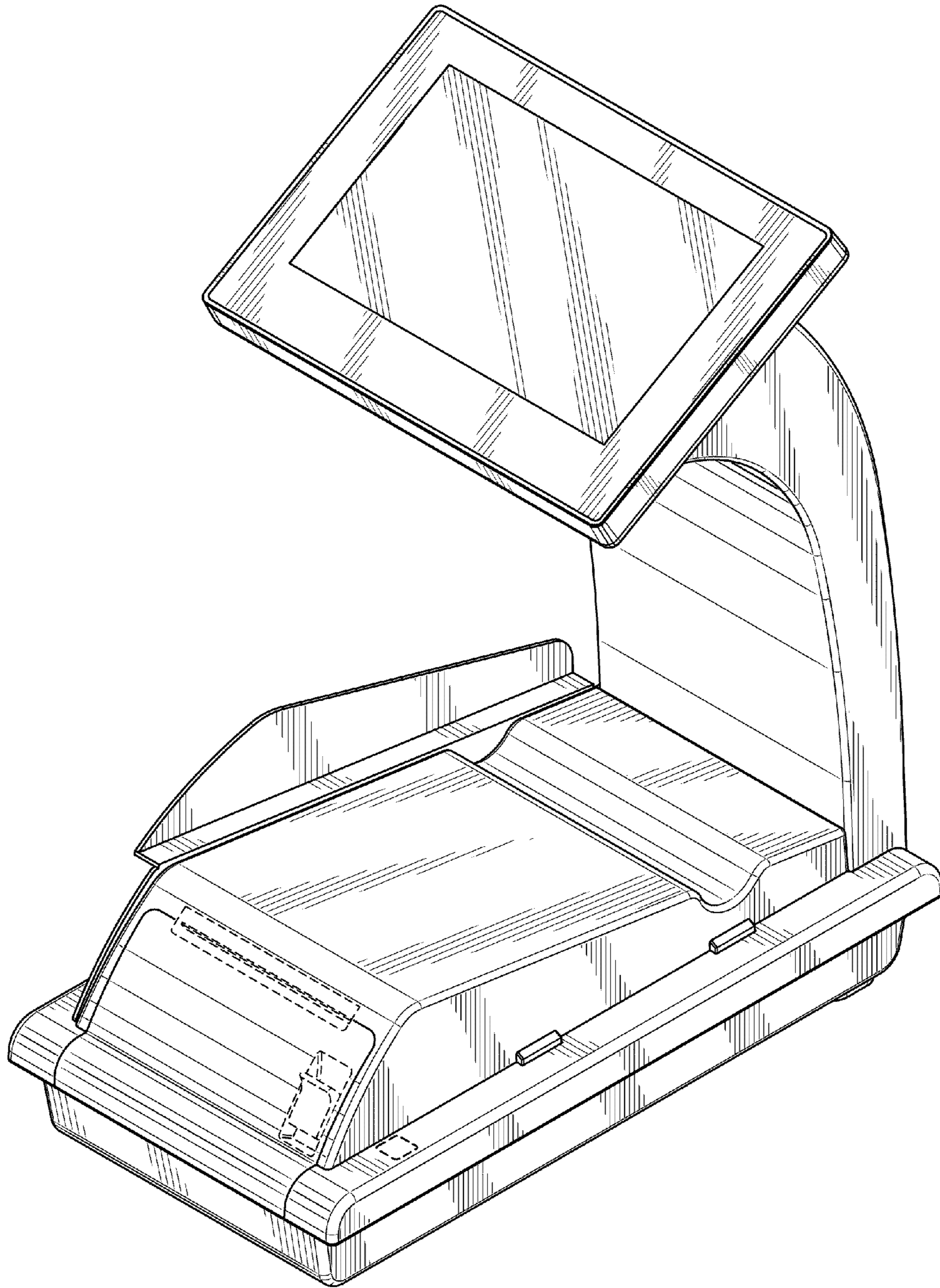


FIG. 1

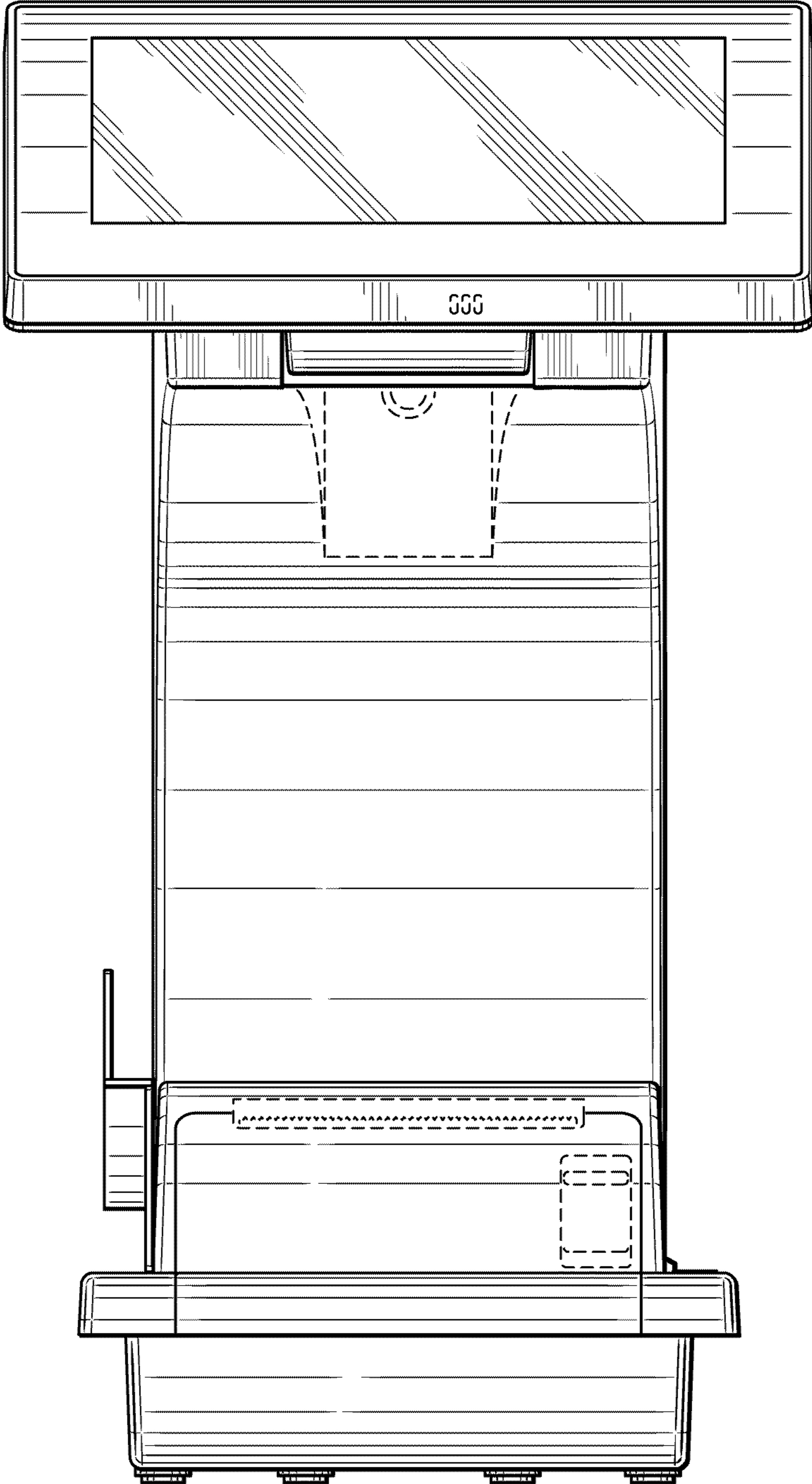


FIG. 2

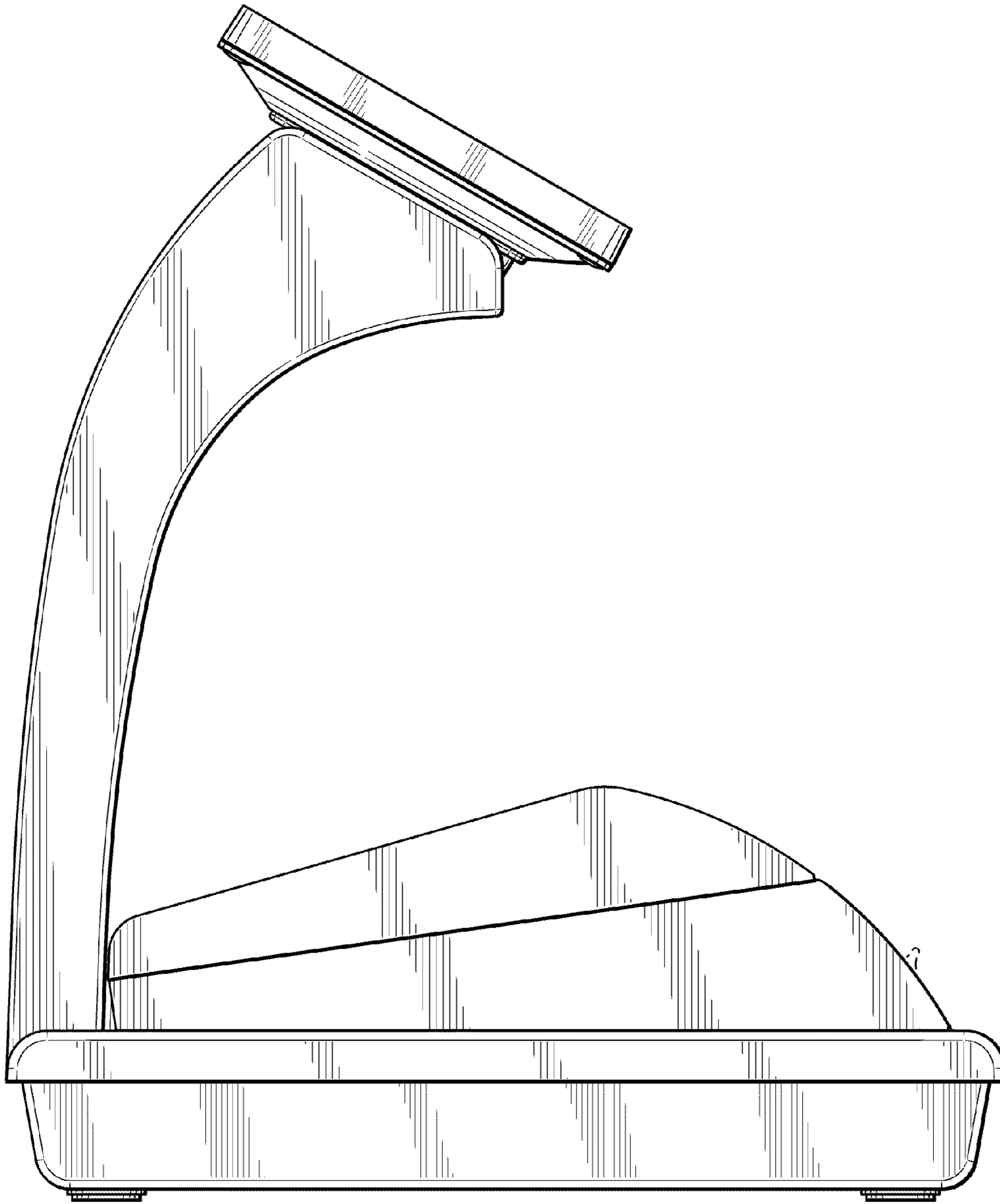


FIG. 3

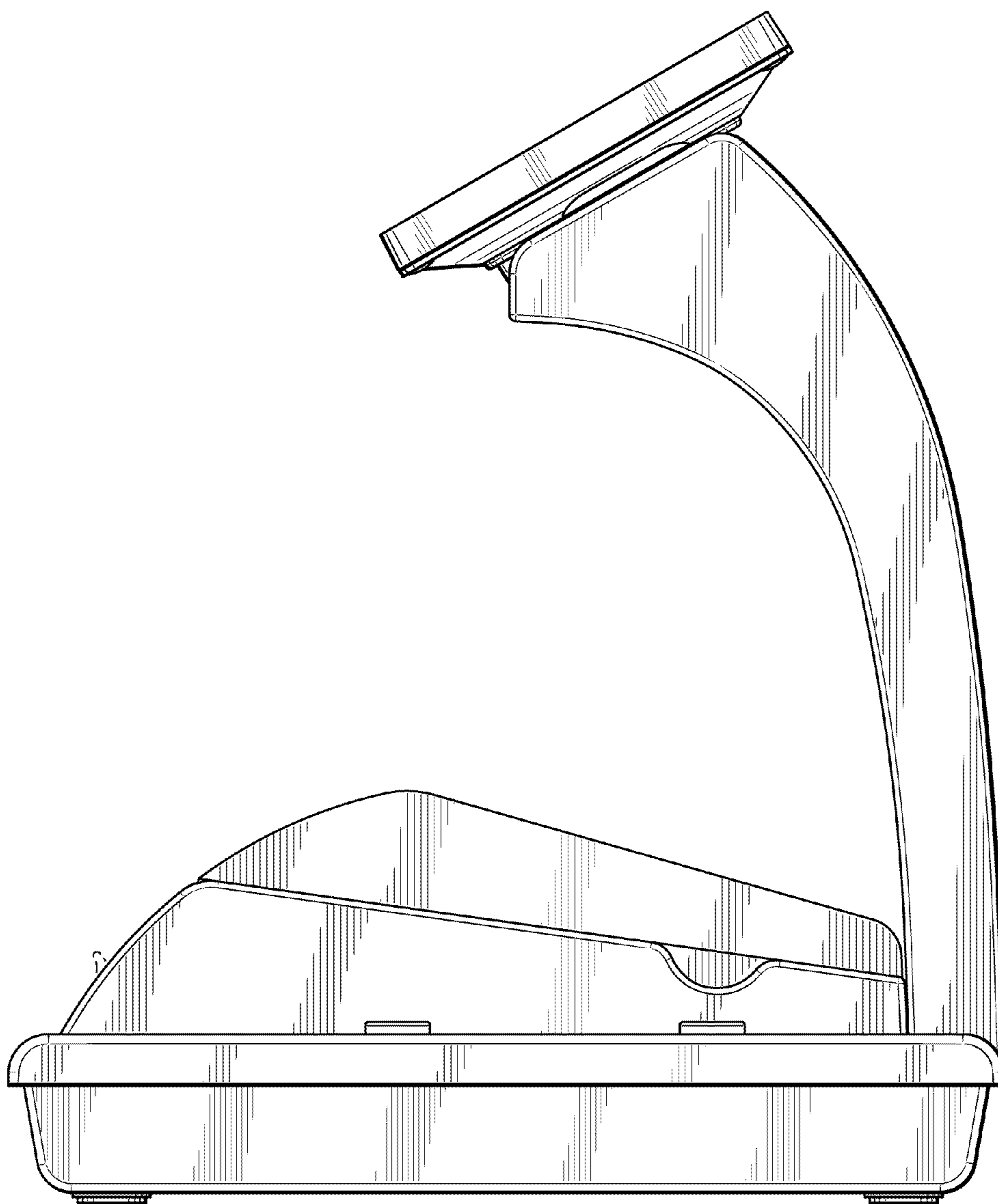


FIG. 4

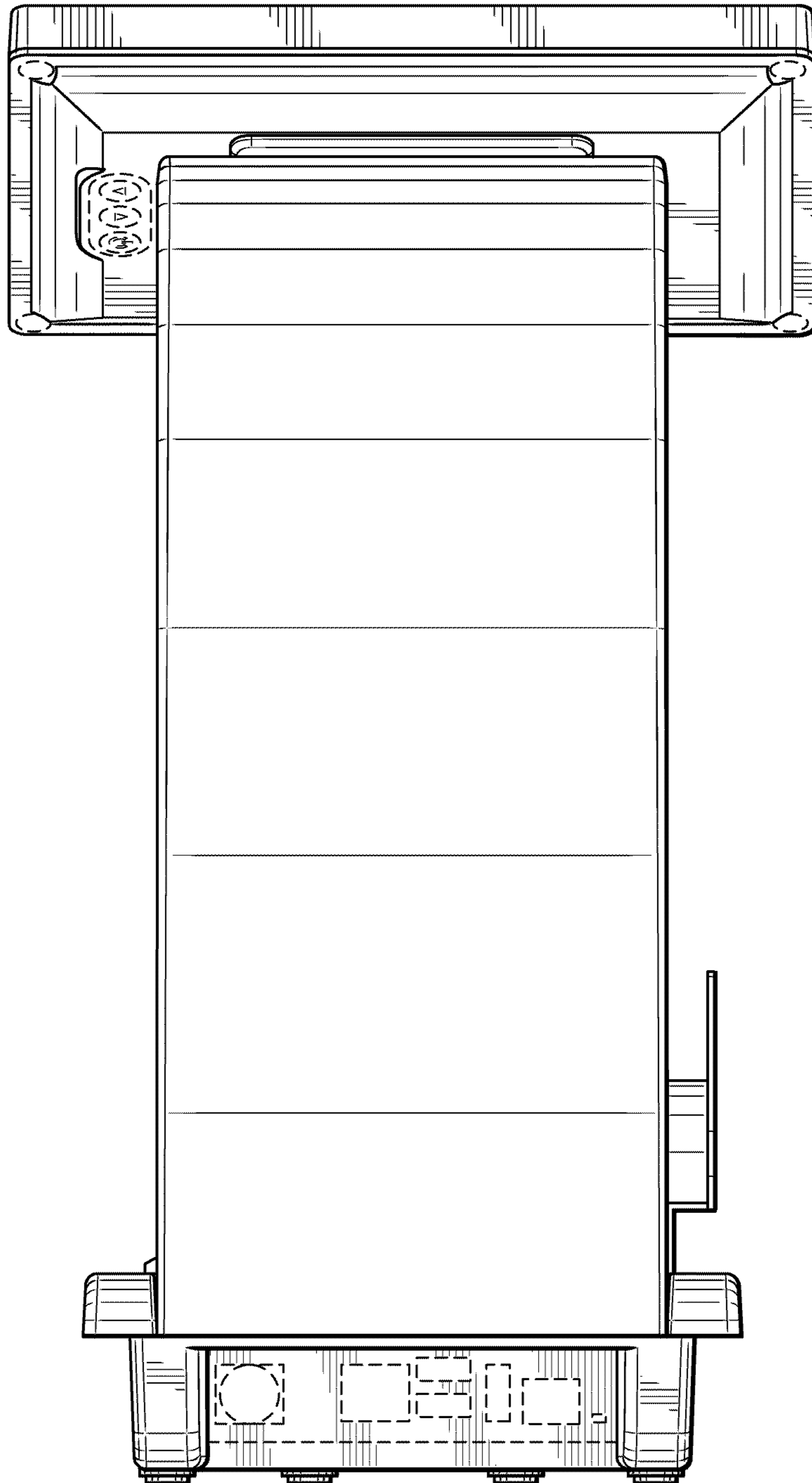


FIG. 5

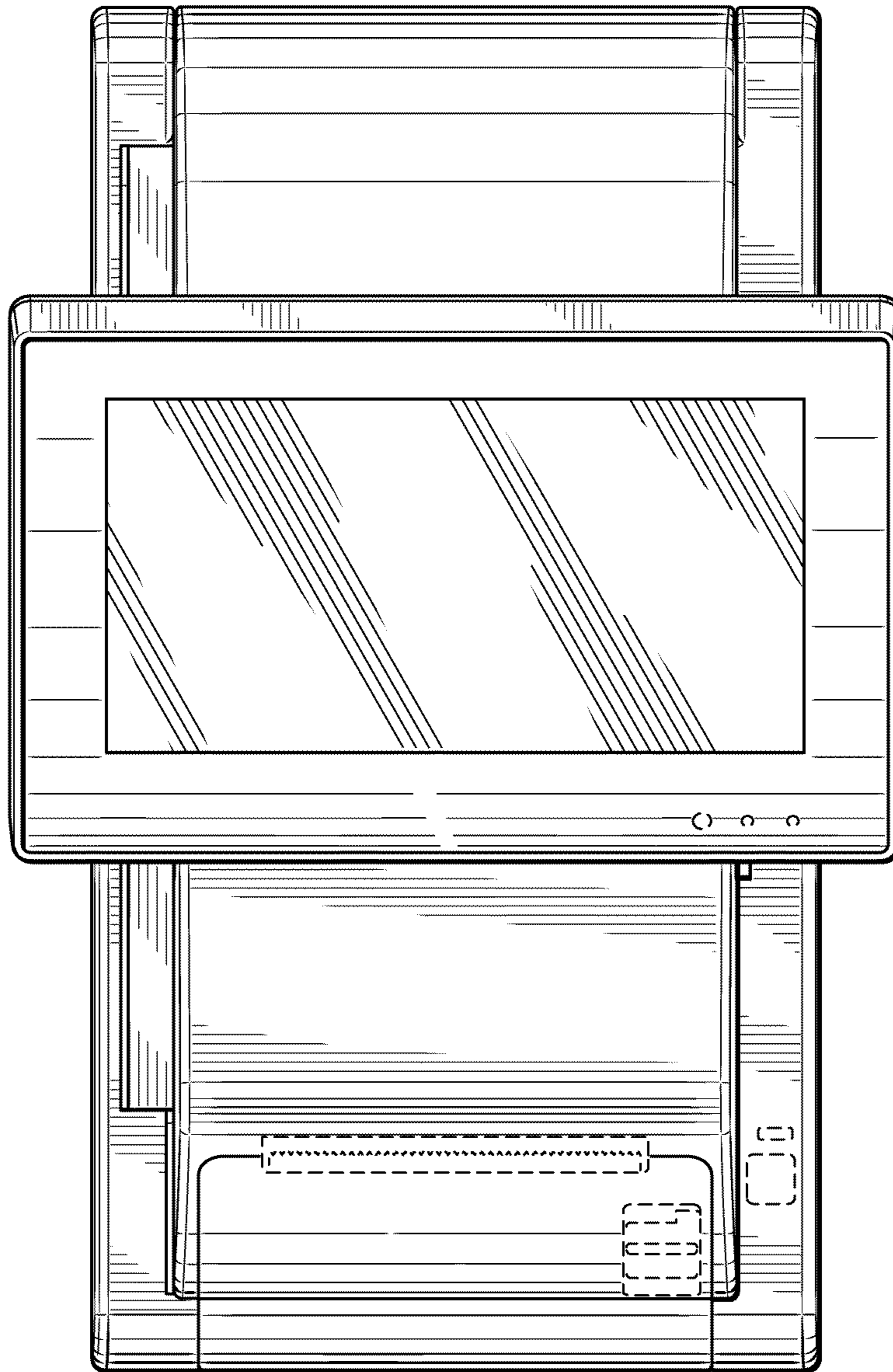


FIG. 6

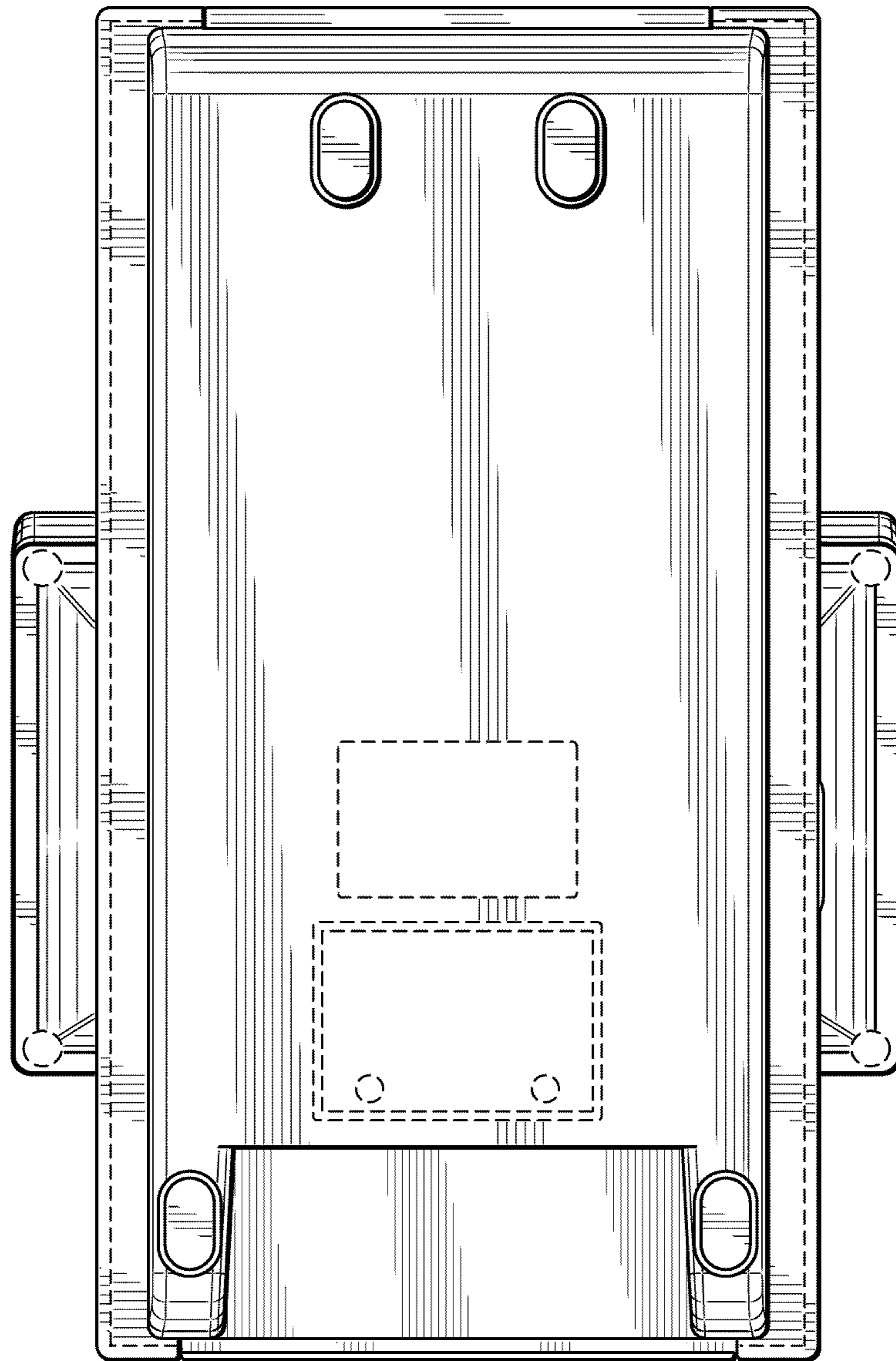


FIG. 7