



US00D733802S

(12) **United States Design Patent**
Burgess et al.

(10) **Patent No.:** **US D733,802 S**
(45) **Date of Patent:** **** Jul. 7, 2015**

- (54) **CONTROLLER BACK PANEL**
- (71) Applicant: **Ironburg Inventions Ltd**, Wincanton, Somerset (GB)
- (72) Inventors: **Simon Burgess**, Leicester (GB);
Duncan Ironmonger, Atlanta, GA (US)
- (73) Assignee: **Ironburg Inventions LTD.** (GB)
- (**) Term: **14 Years**
- (21) Appl. No.: **29/480,396**
- (22) Filed: **Jan. 24, 2014**
- (51) **LOC (10) Cl.** **21-01**
- (52) **U.S. Cl.**
USPC **D21/333**; D14/401
- (58) **Field of Classification Search**
USPC D14/399-401, 412-416; D21/324, 333;
273/148 B; 463/1, 29-39, 46, 47;
345/156-161, 905
CPC A63F 13/02; A63F 13/00; A63F 11/00;
A63F 3/00; A63F 9/00; G06F 17/00; G06F
19/00; G06F 17/32; G06F 3/00
See application file for complete search history.

(56) **References Cited**

U.S. PATENT DOCUMENTS

6,342,009	B1 *	1/2002	Soma	463/38
D464,996	S *	10/2002	Hussaini et al.	D21/333
D467,621	S *	12/2002	Ku	D21/333
6,572,108	B1 *	6/2003	Bristow	273/148 B
6,743,100	B1 *	6/2004	Neiser	463/37
6,923,443	B1 *	8/2005	Hughes, IV	273/148 B
6,998,548	B2 *	2/2006	Huang	200/6 A
D631,476	S *	1/2011	Piedra et al.	D14/401
D638,017	S *	5/2011	Ortiz	D14/401
D669,078	S *	10/2012	Lovoi et al.	D14/401
D712,484	S *	9/2014	Sumii et al.	D21/333
D712,973	S *	9/2014	Sumii et al.	D21/333
2008/0122173	A1 *	5/2008	Harris	273/148 B

* cited by examiner

Primary Examiner — Prabhakar Deshmukh

(74) *Attorney, Agent, or Firm* — Parks Wood LLC

(57) **CLAIM**

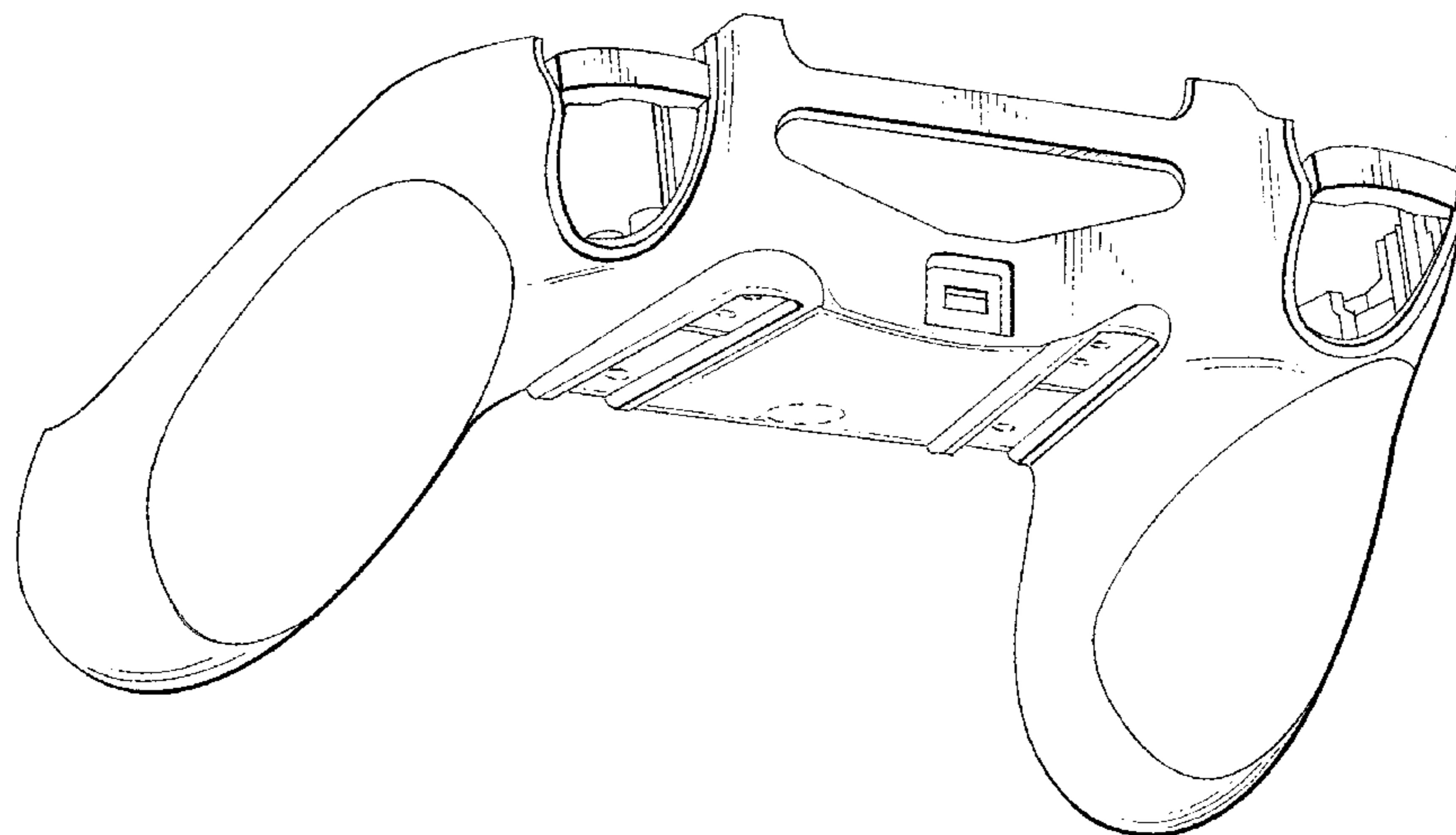
The ornamental design for a controller back panel, as shown and described.

DESCRIPTION

FIG. 1 is a back perspective view of a controller back panel showing our new design;
 FIG. 2 is a back view, thereof;
 FIG. 3 is a top view, thereof;
 FIG. 4 is a bottom view, thereof;
 FIG. 5 is a first side view thereof, it being understood that a second side view is a mirror image of the first side view;
 FIG. 6 is a back perspective view thereof;
 FIG. 7 is a front view, thereof;
 FIG. 8 is a back perspective view of a second embodiment of a controller back panel showing the new design, the only difference being the addition of paddle levers into the paddle moldings, it being understood that all other surfaces are the same as those of the first embodiment;
 FIG. 9 is a back view of the controller back panel of FIG. 8;
 FIG. 10 is a bottom view of the controller back panel of FIG. 8;
 FIG. 11 is a back perspective view of the controller back panel of FIG. 8;
 FIG. 12 is a front view of the controller back panel of FIG. 8;
 FIG. 13 is a back perspective view of a controller including the controller back panel of FIGS. 1-7;
 FIG. 14 is a back view of the controller of FIG. 13;
 FIG. 15 is a front view of the controller of FIG. 13;
 FIG. 16 is a top view of the controller of FIG. 13;
 FIG. 17 is a bottom view of the controller of FIG. 13;
 FIG. 18 is a first side view of the controller of FIG. 13, it being understood that a second side view is a mirror image of the first side view;
 FIG. 19 is a back perspective view of a controller including the controller back panel of FIGS. 8-12;
 FIG. 20 is a back view of the controller of FIG. 19;
 FIG. 21 is a front view of the controller of FIG. 19; and,
 FIG. 22 is a bottom view of the controller of FIG. 19.

In the figures, the broken lines showing certain parts of the back panel and/or the controller are for the purpose of illustrating the certain features of the back panel or part of the body of the controller and form no part of the claimed design.

1 Claim, 20 Drawing Sheets



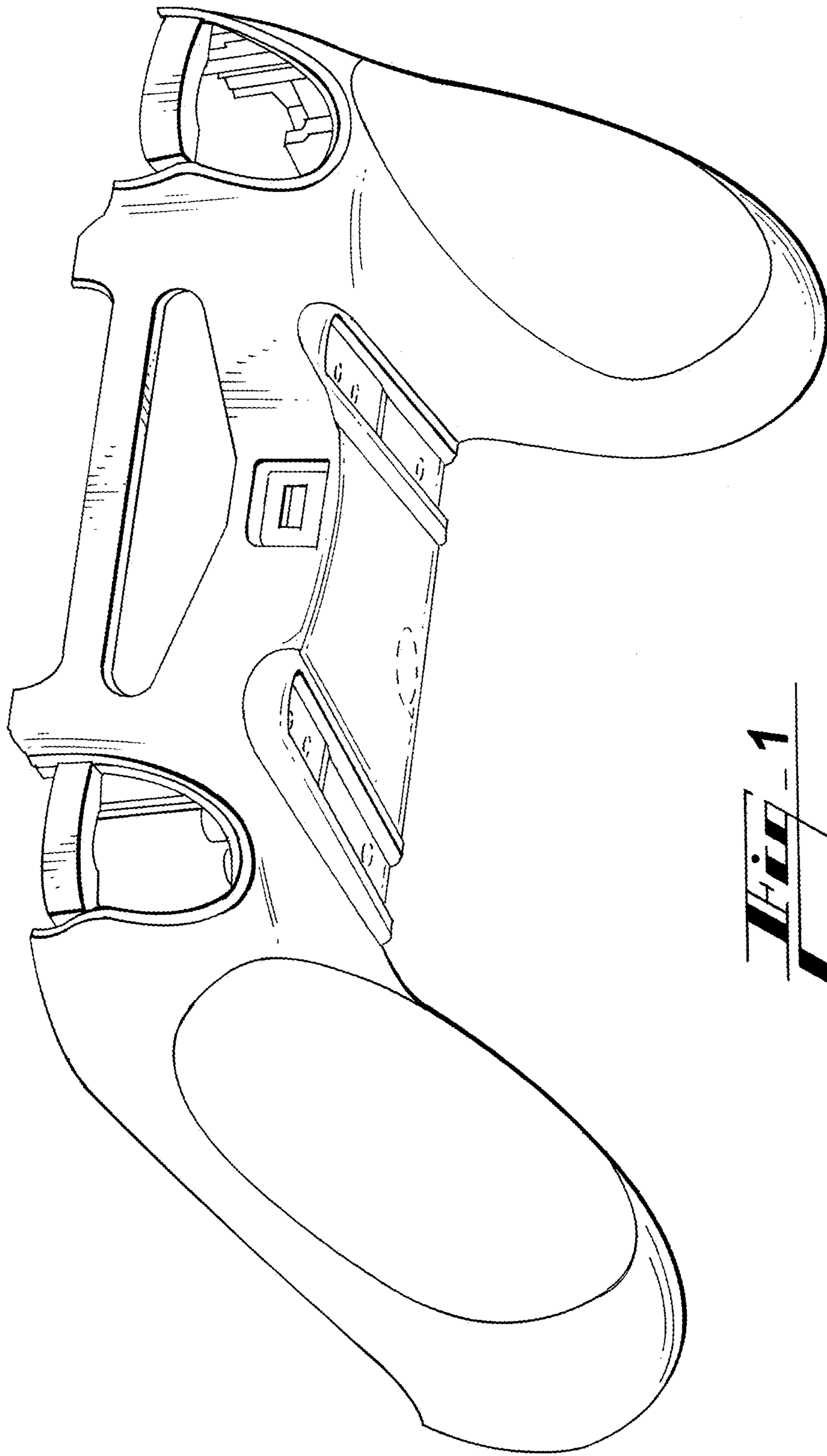


FIG. 1

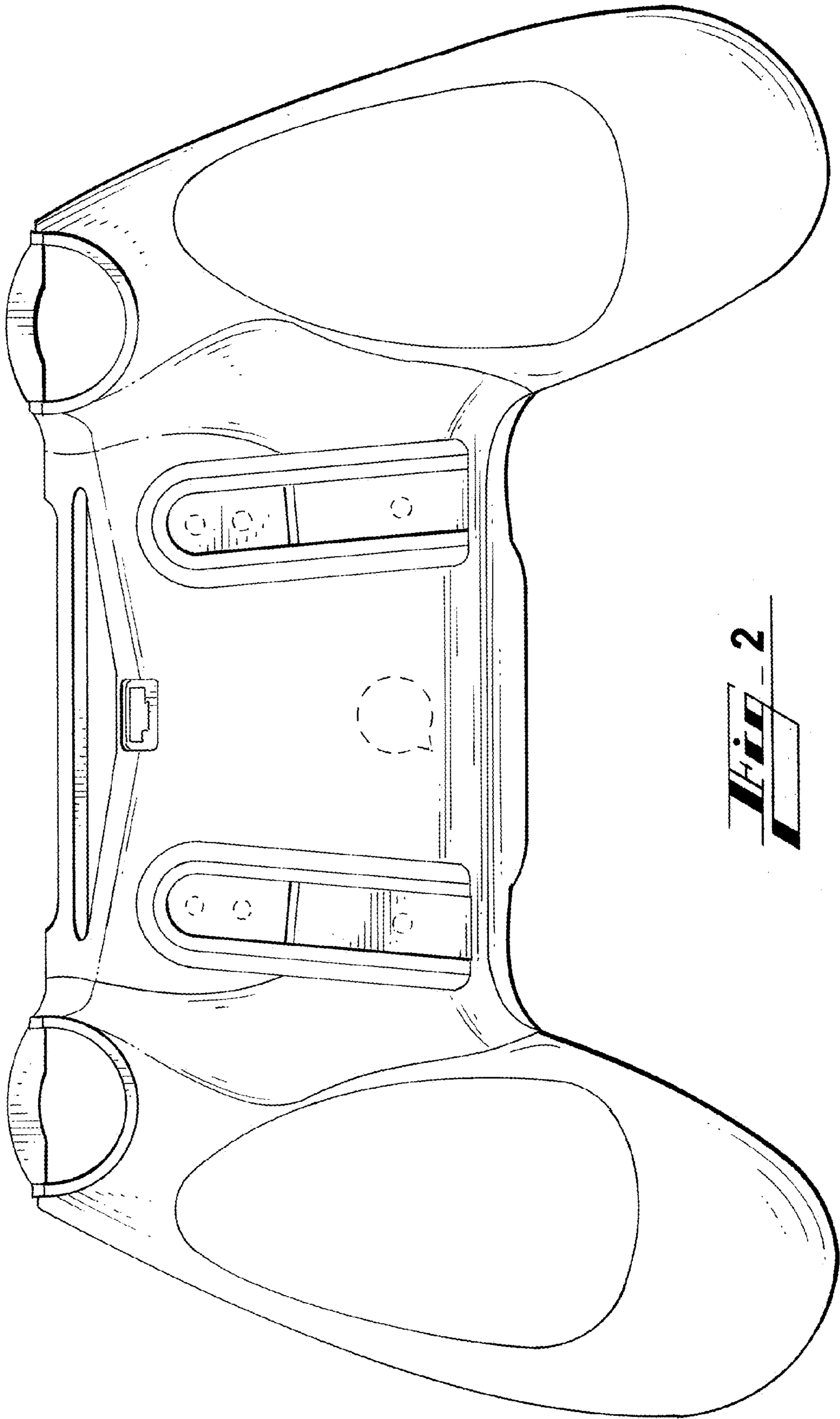
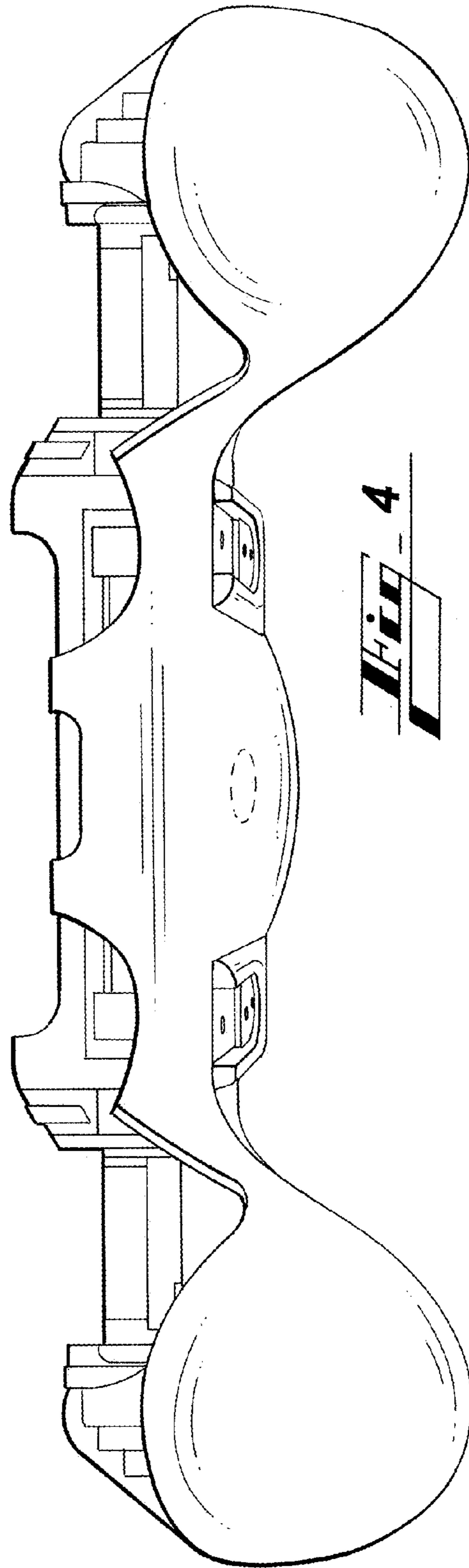
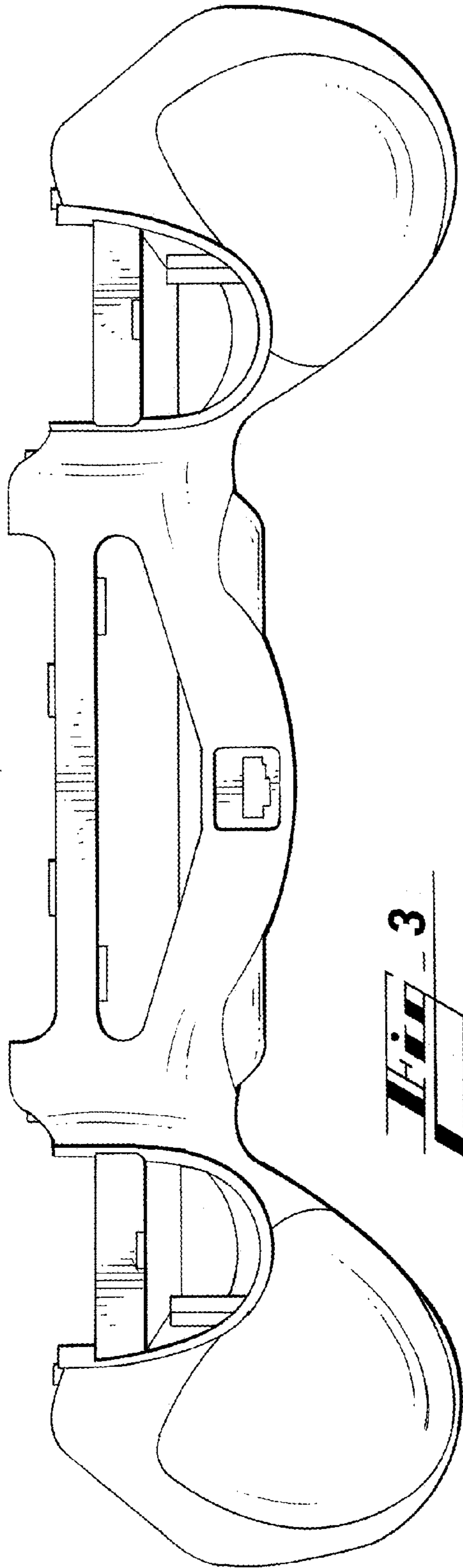


FIG. 2



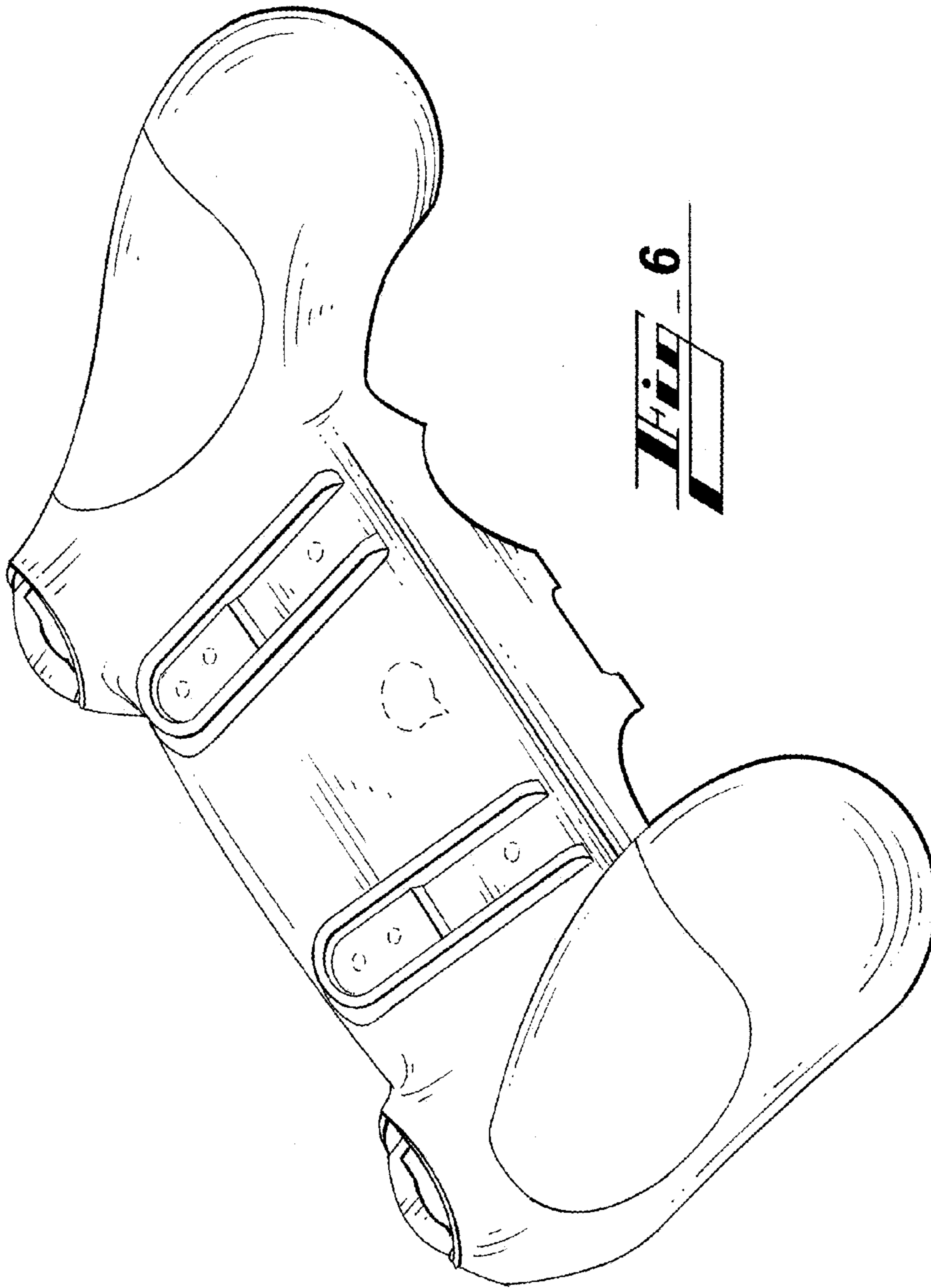


Fig. 6

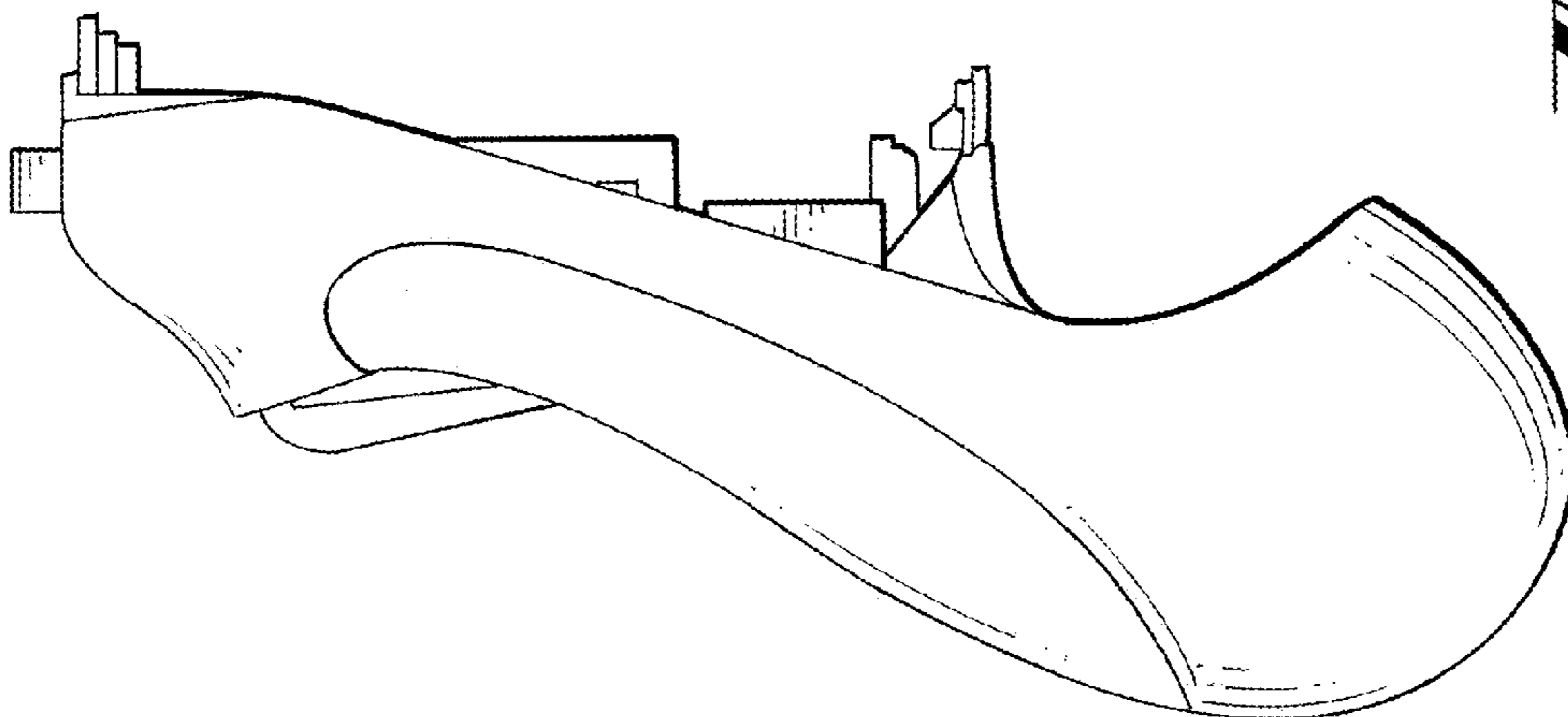


Fig. 5

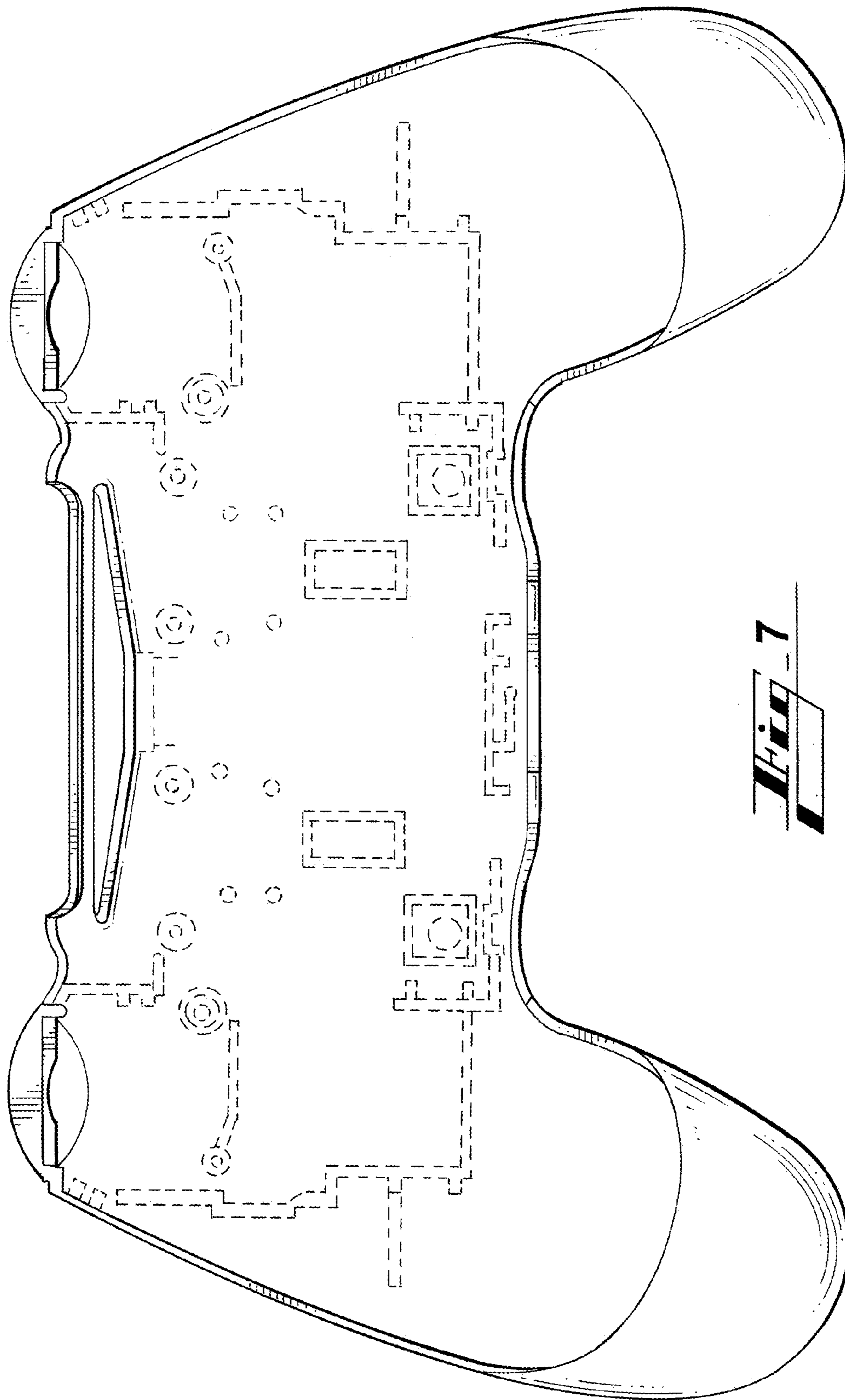


FIG. 7

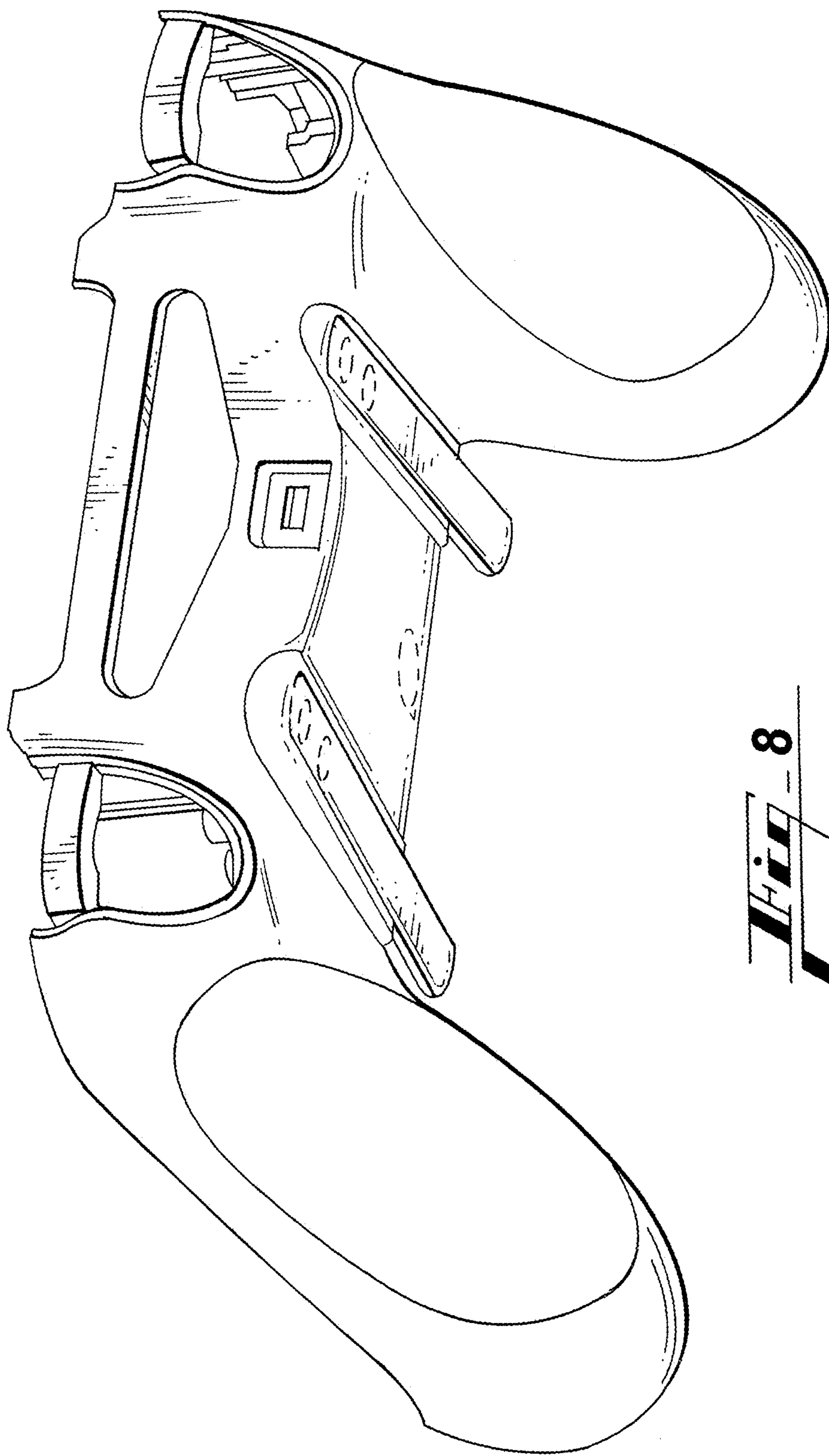
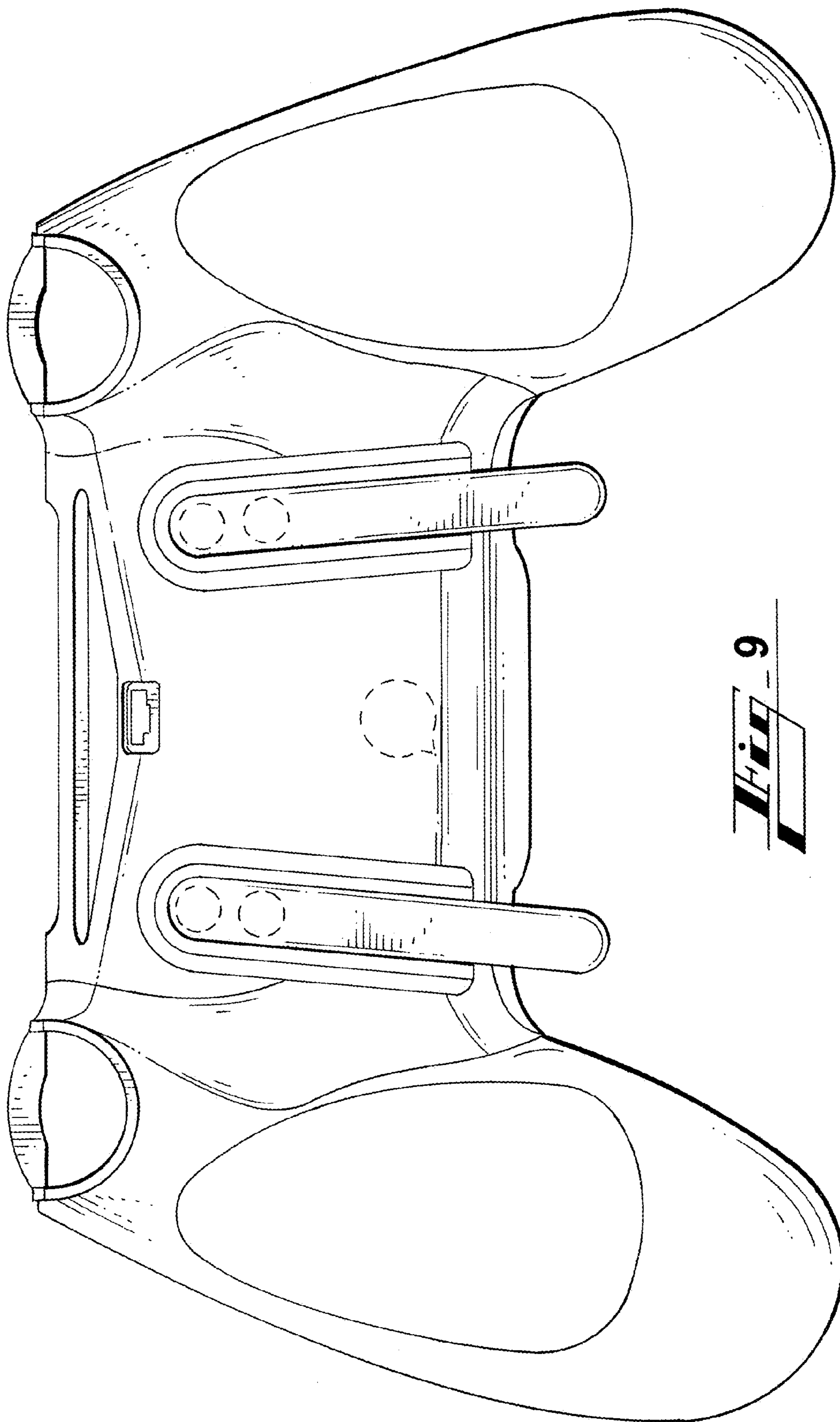
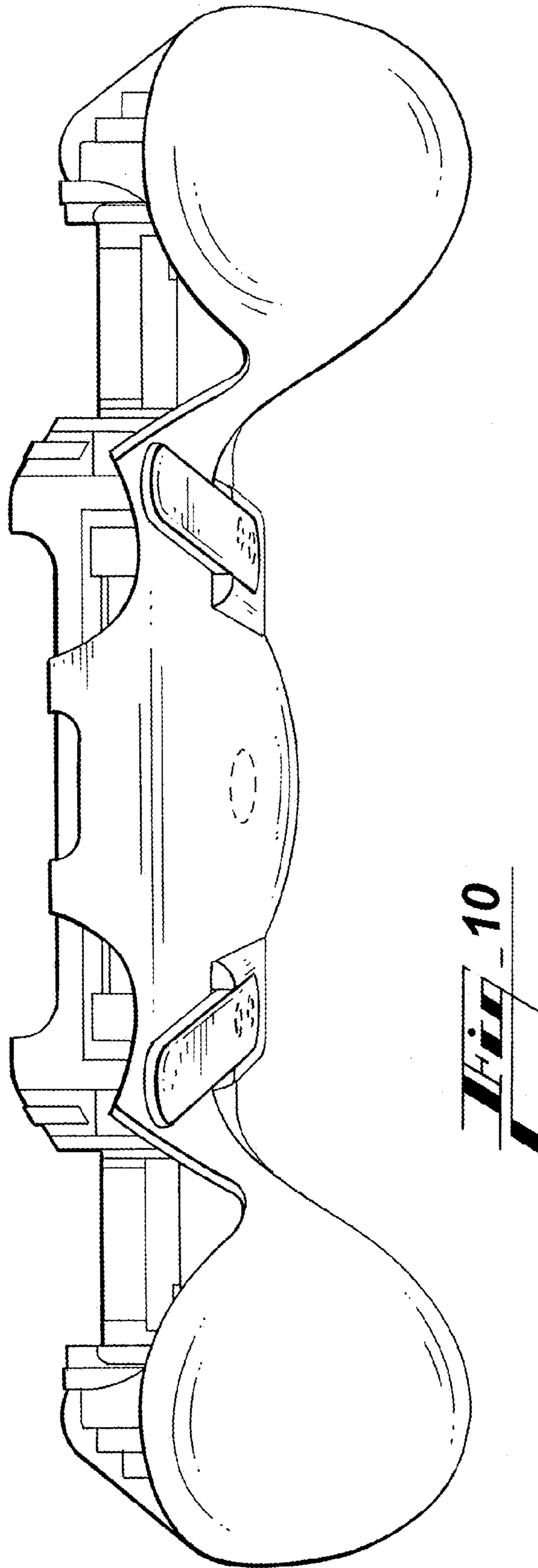


FIG. 8



6
FIG. 9



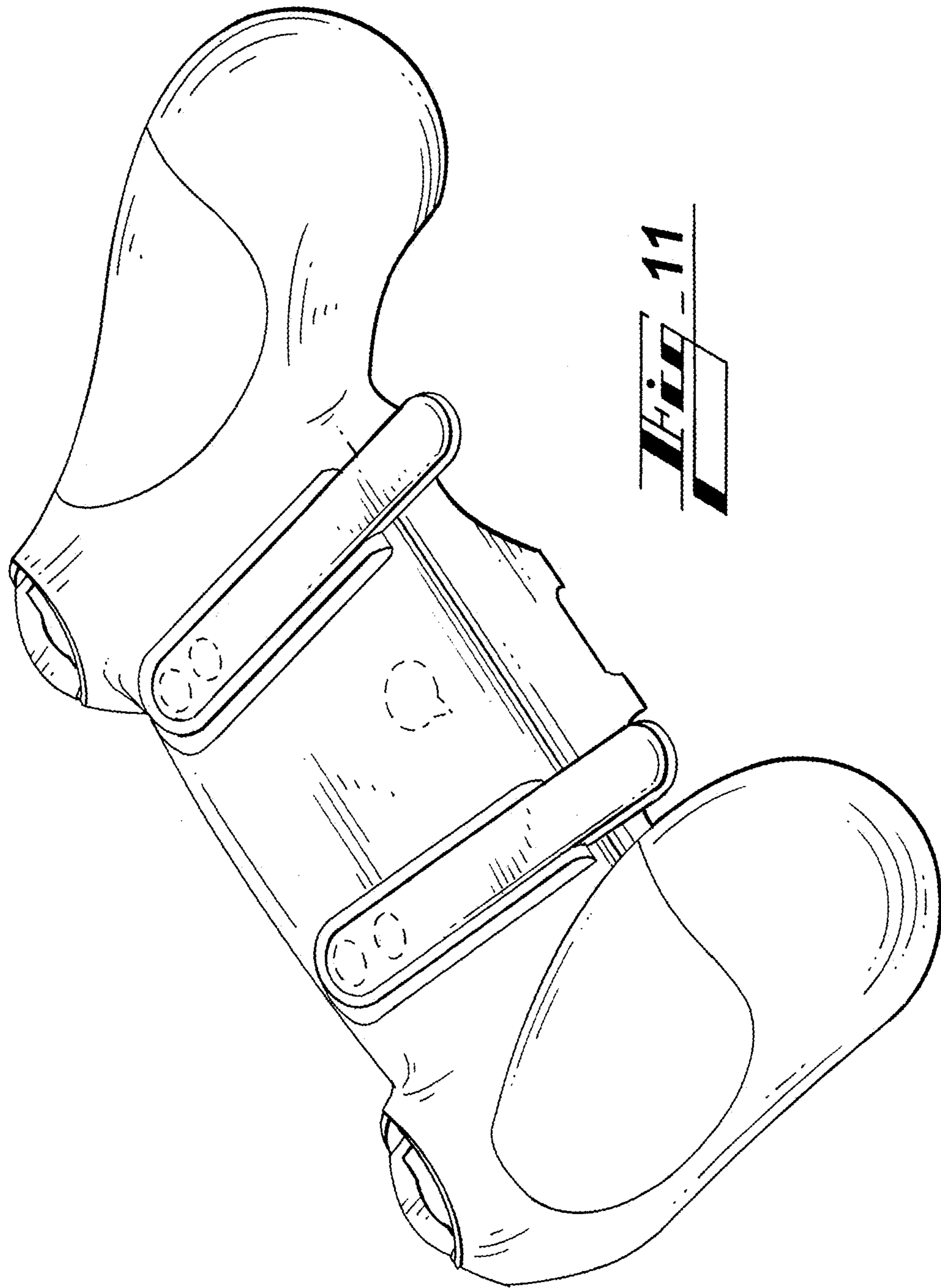


FIG. 11

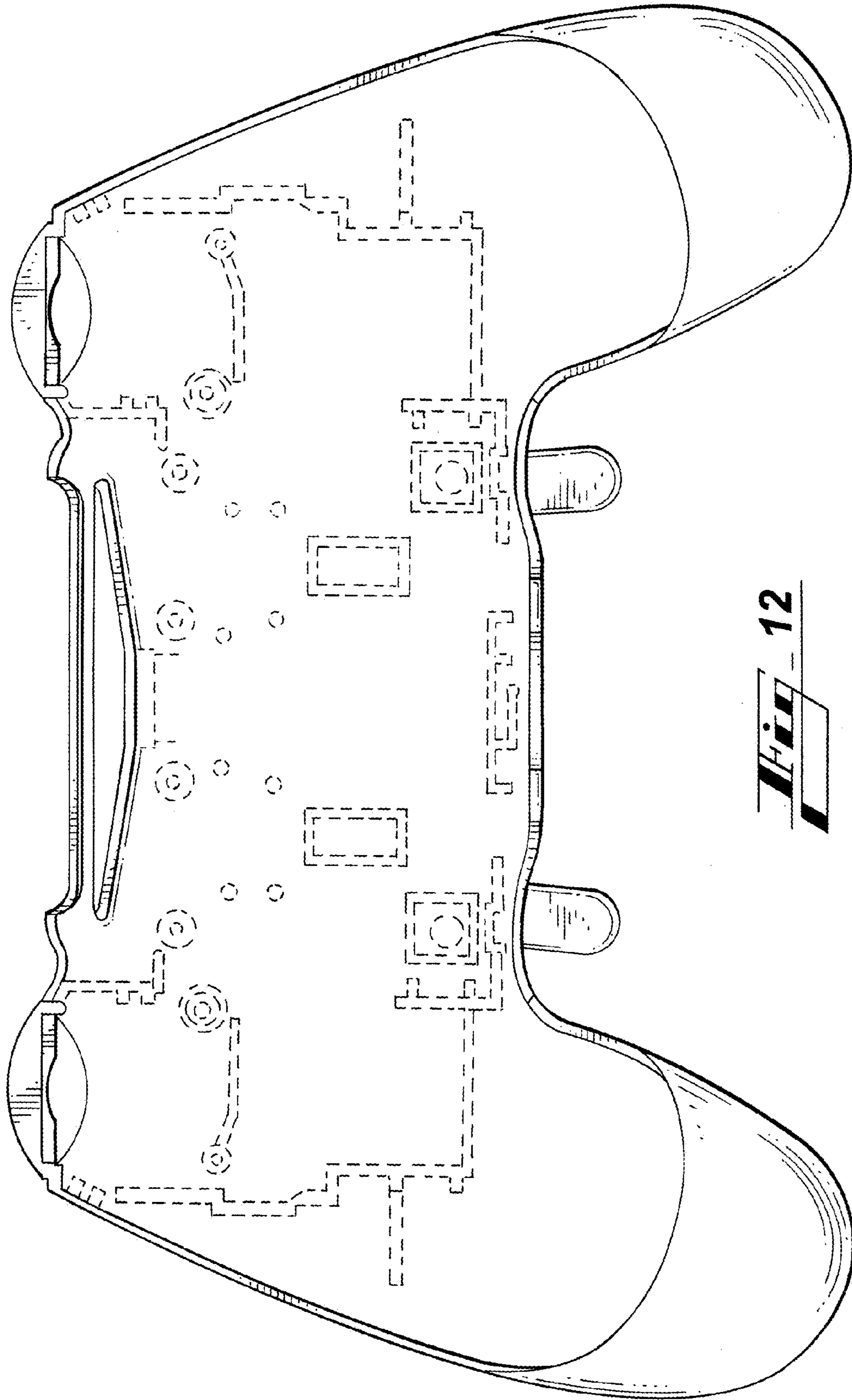


FIG. 12

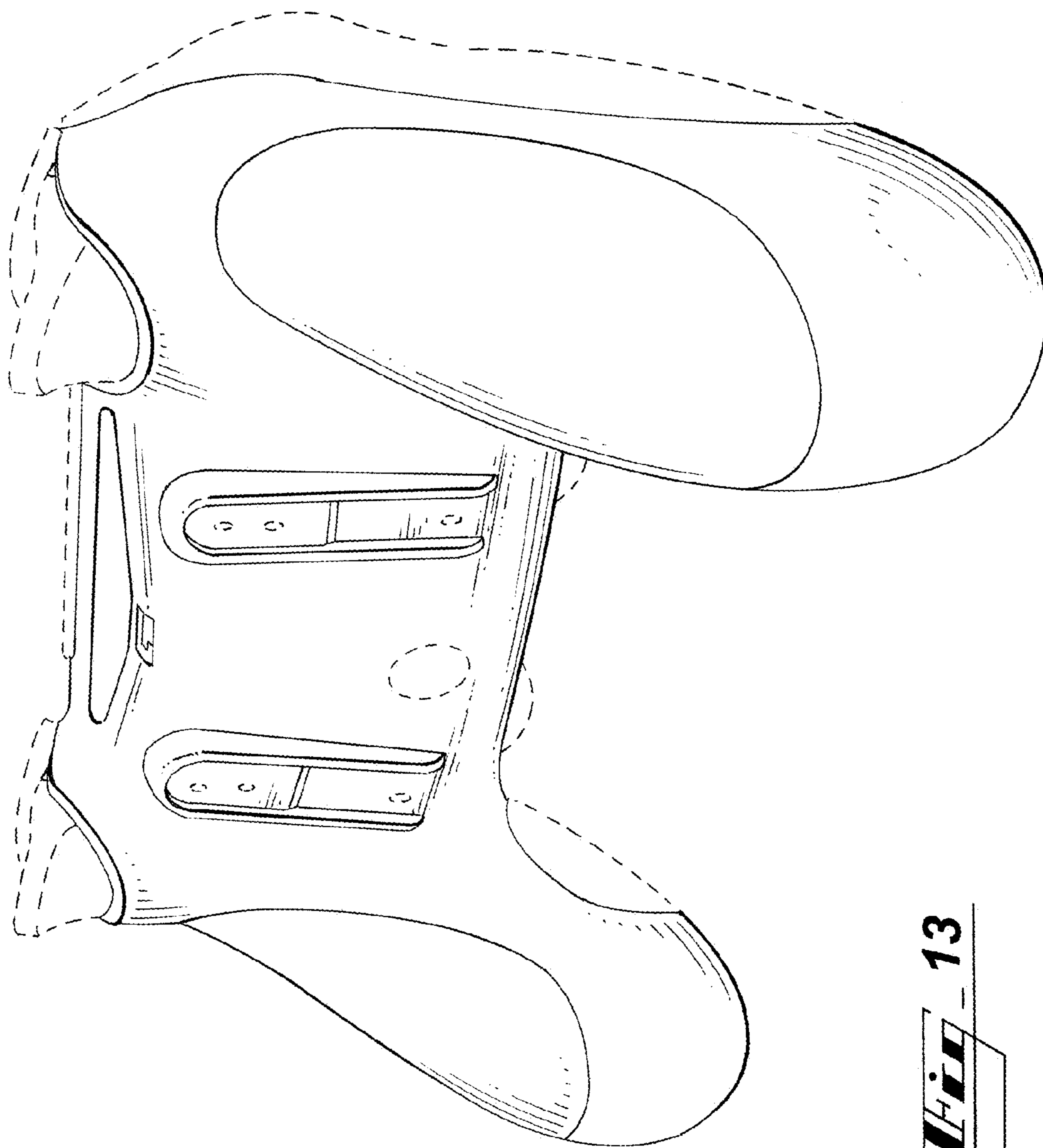


Fig. 13

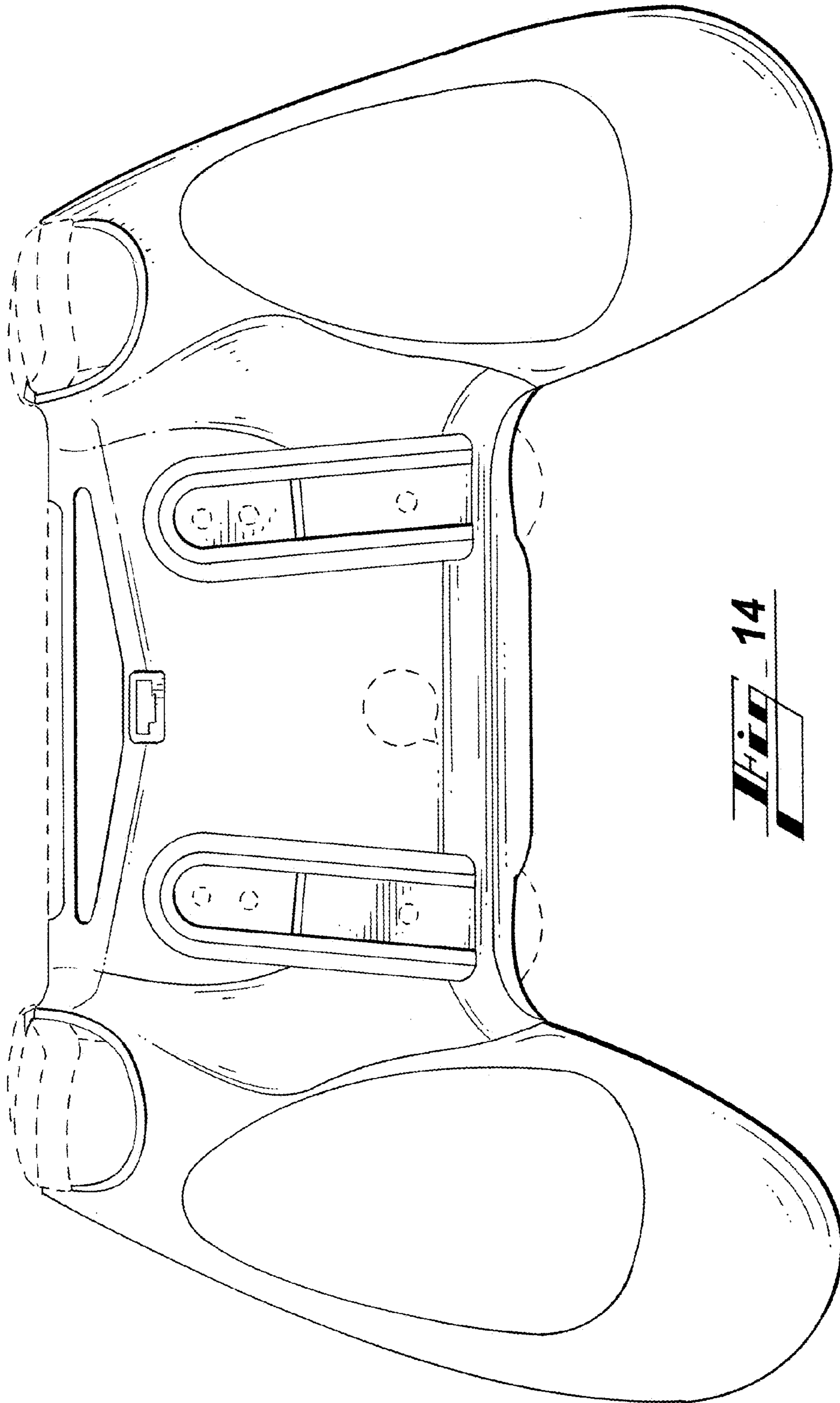


FIG. 14

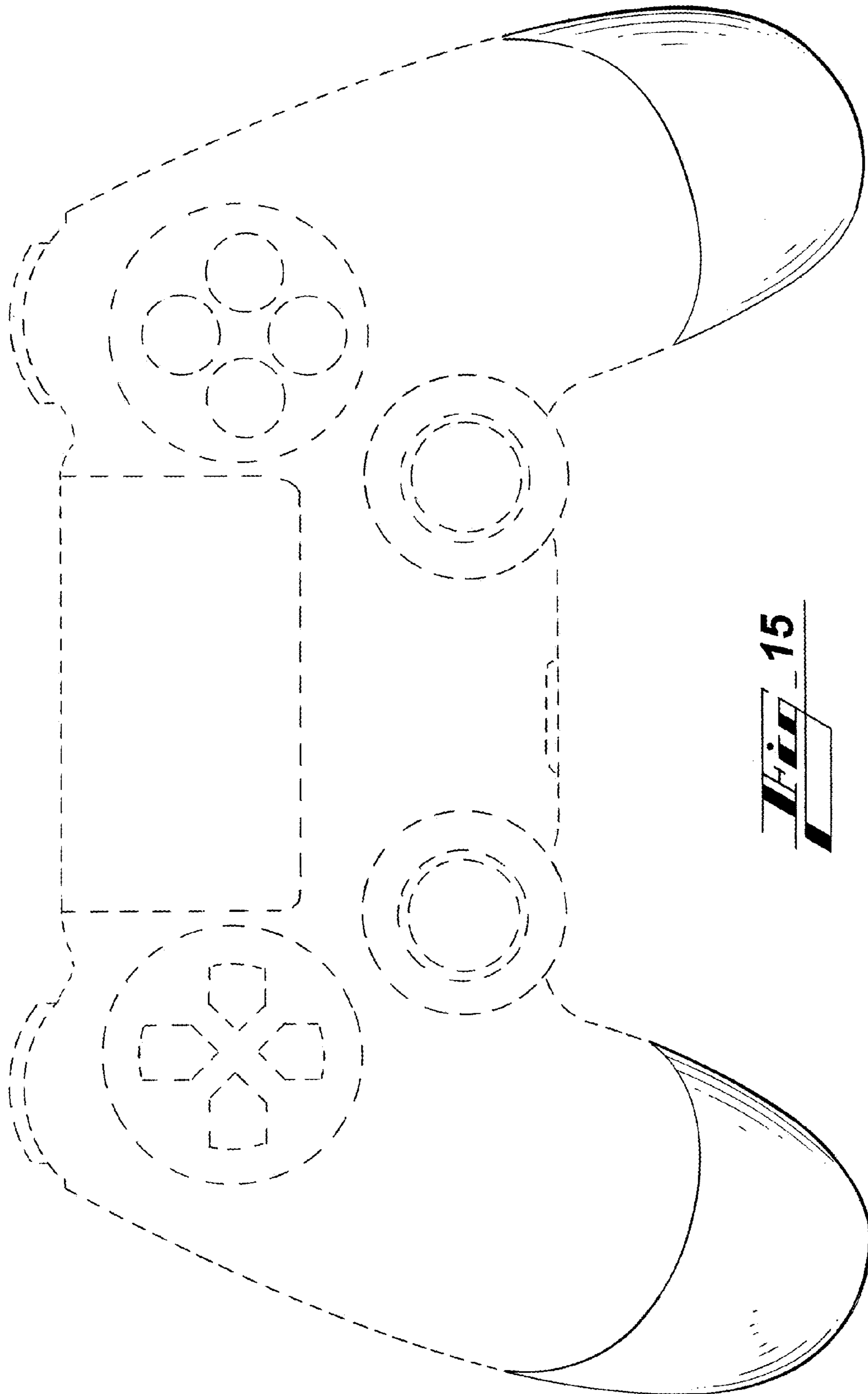


FIG. 15

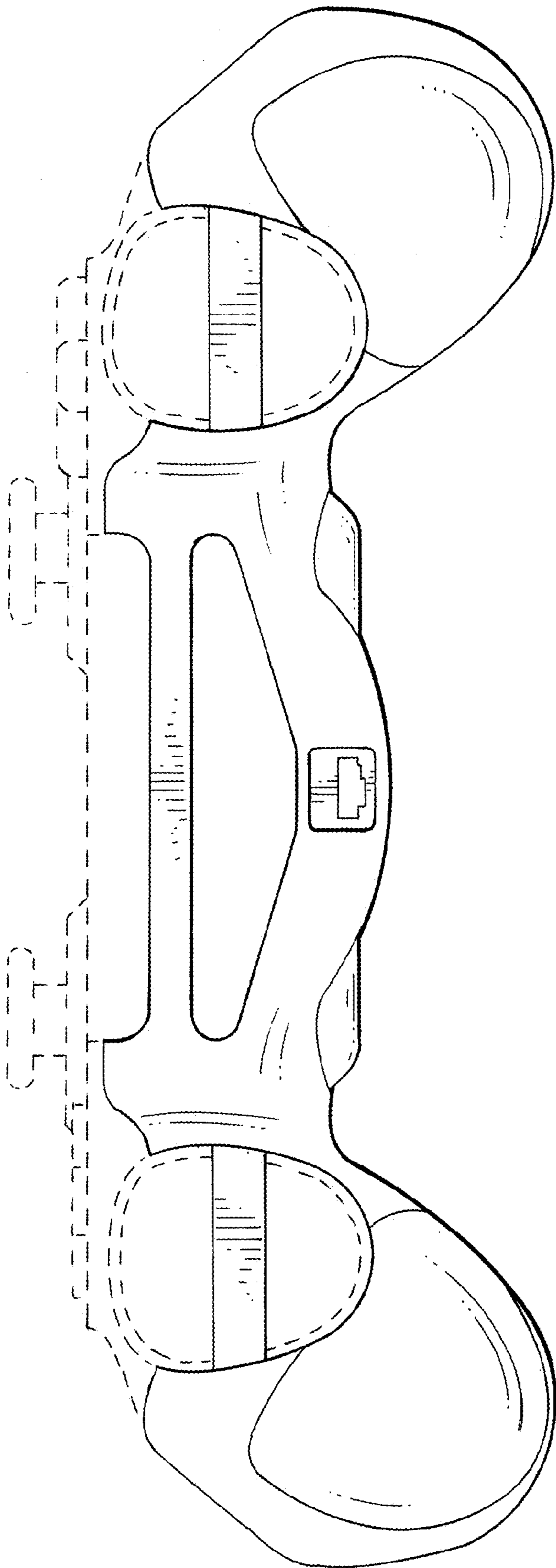


FIG. 16

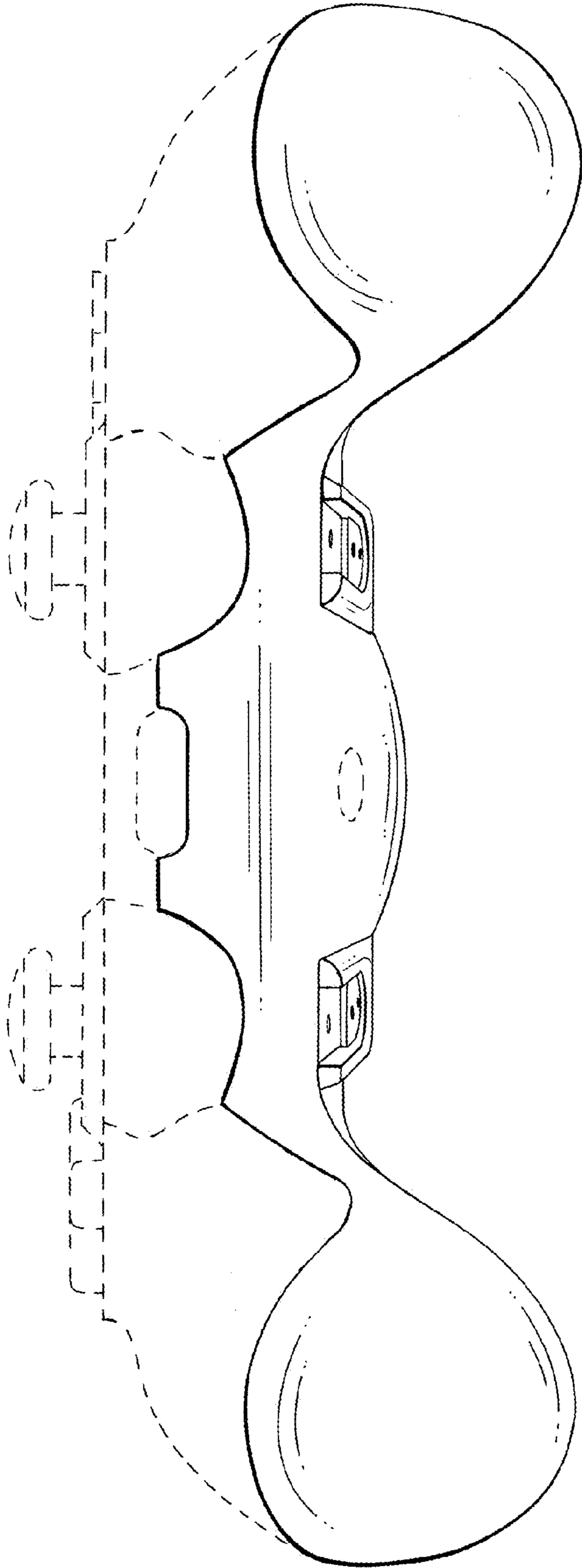


Fig. 17

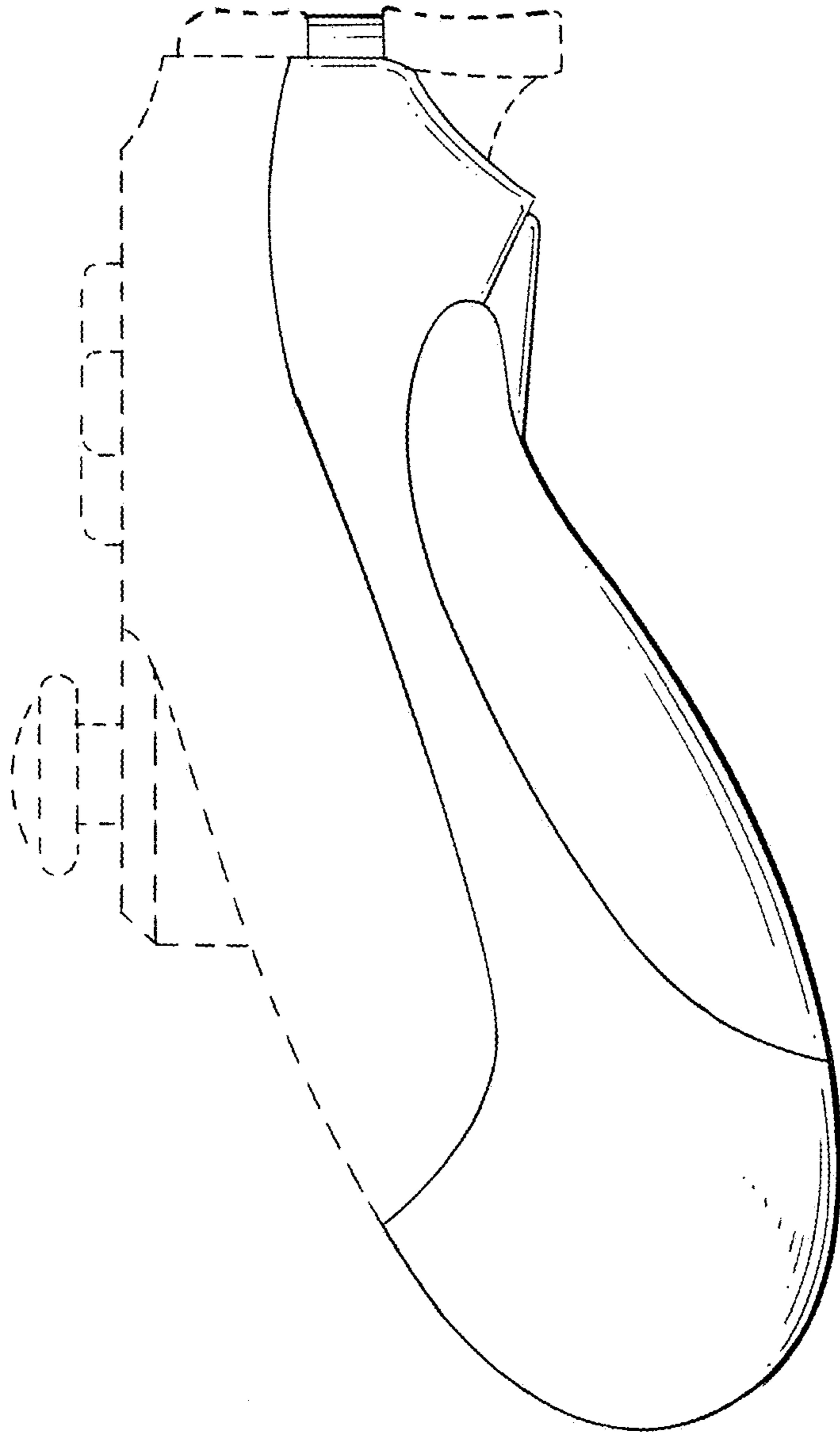


Fig. 18

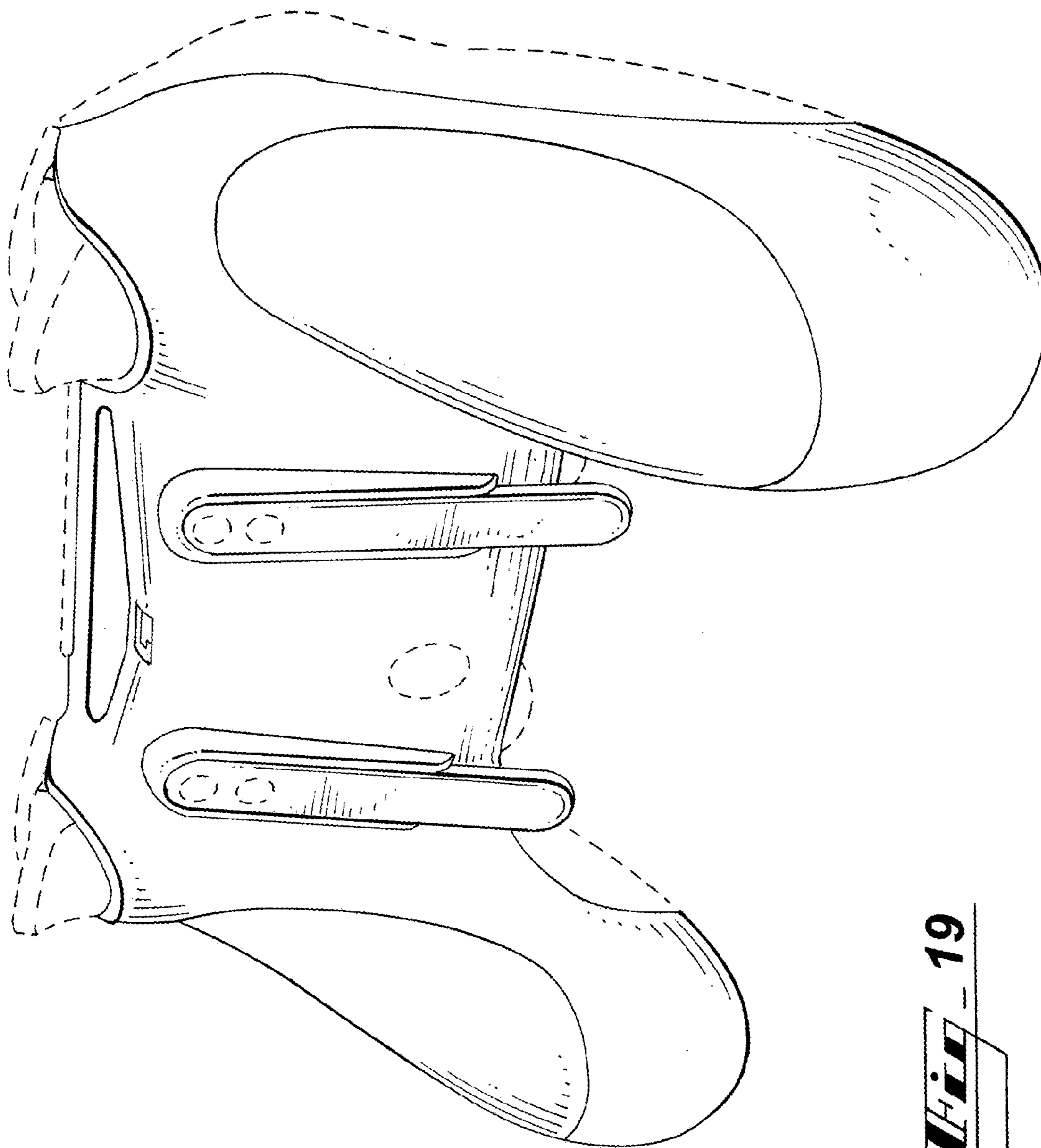


Fig. 19

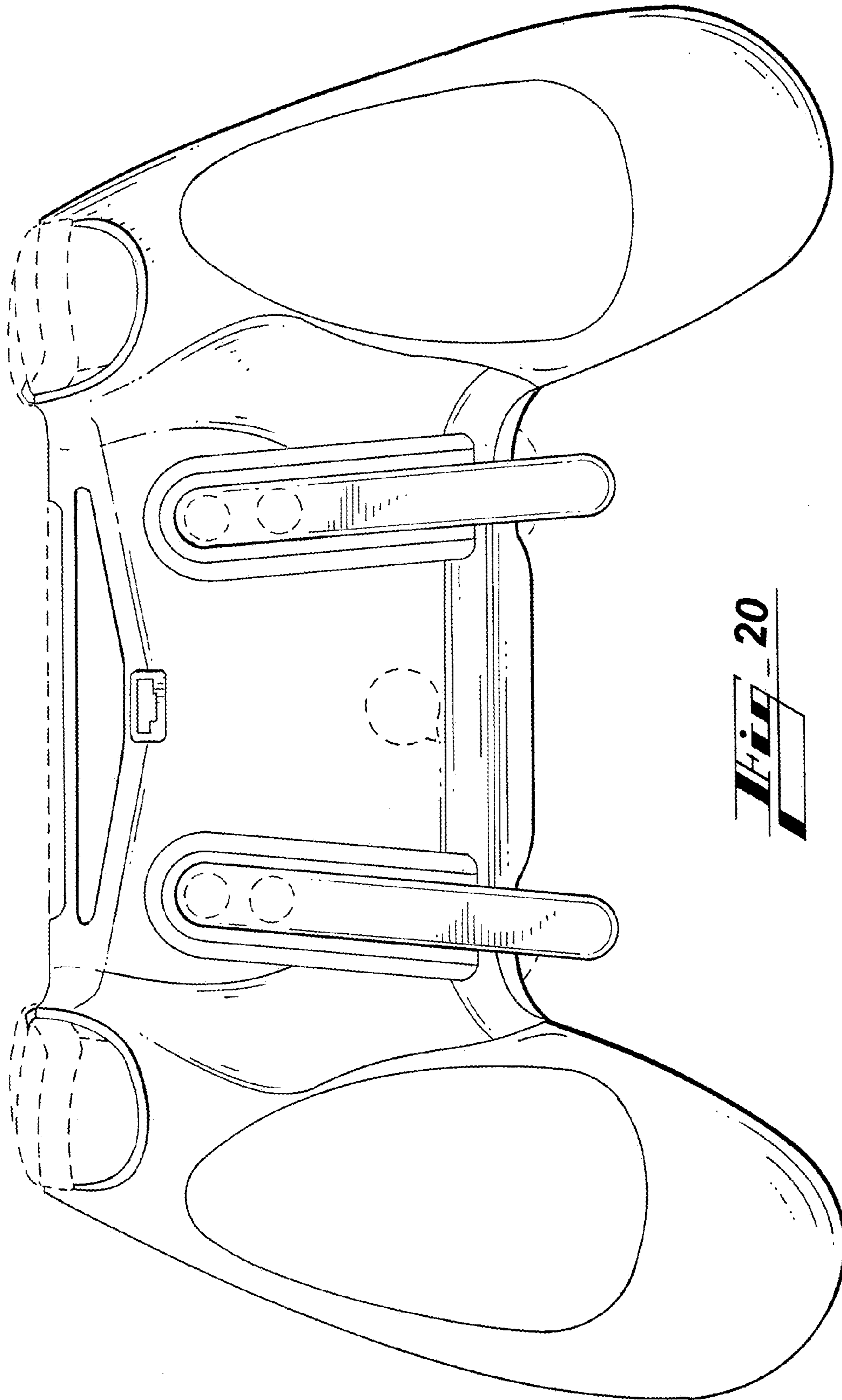


Fig. 20

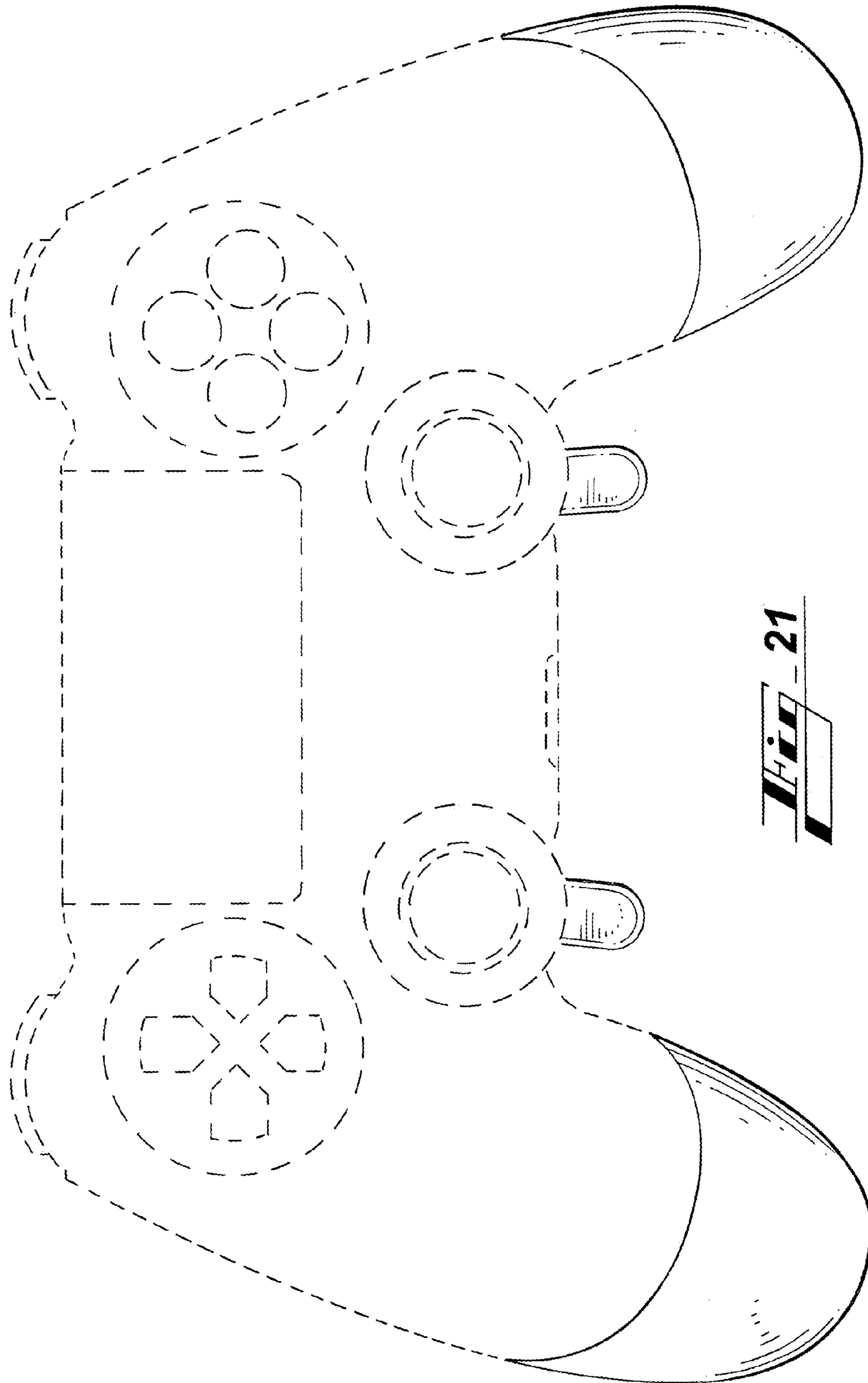


FIG. 21

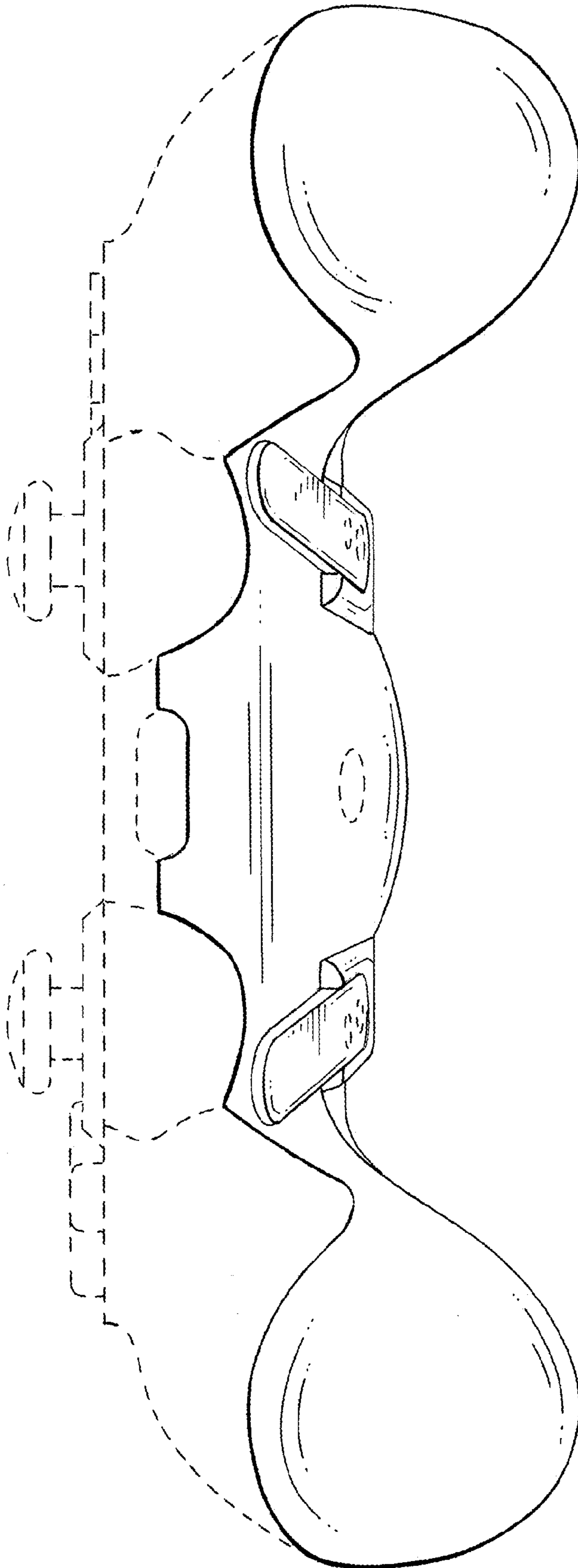


FIG. 22