



US00D733799S

(12) **United States Design Patent**  
**Dixon, III**

(10) **Patent No.:** **US D733,799 S**  
(45) **Date of Patent:** **\*\* Jul. 7, 2015**

(54) **BOTTLE OPENER**

(71) Applicant: **Rush D. Dixon, III**, Mount Pleasant, SC  
(US)

(72) Inventor: **Rush D. Dixon, III**, Mount Pleasant, SC  
(US)

(\*\*) Term: **14 Years**

(21) Appl. No.: **29/493,217**

(22) Filed: **Jun. 6, 2014**

(51) **LOC (10) Cl.** ..... **19-06**

(52) **U.S. Cl.**  
USPC ..... **D19/40**

(58) **Field of Classification Search**  
USPC ..... D8/16, 18, 33-43, 91-93, 98, 103-105,  
D8/394, 395, 396  
CPC ..... B67B 7/02; B67B 7/04; B67B 7/0405;  
B67B 7/0411; B67B 7/12; B67B 7/16; B67B  
7/18; B67B 7/24; B67B 7/30; B67B 7/44  
See application file for complete search history.

(56) **References Cited**

**U.S. PATENT DOCUMENTS**

D289,361 S \* 4/1987 Powis, Jr. .... D8/18  
4,702,129 A \* 10/1987 Allen ..... 81/3.09  
D310,166 S \* 8/1990 Fildan ..... D8/383  
D342,891 S \* 1/1994 Marui ..... D8/396

5,799,551 A \* 9/1998 Vitrac ..... 81/3.09  
7,024,715 B2 \* 4/2006 Hefti et al. .... 7/156  
D530,585 S \* 10/2006 Hunter ..... D8/98  
D720,197 S \* 12/2014 Oldham ..... D8/98

\* cited by examiner

*Primary Examiner* — Elizabeth Albert

(74) *Attorney, Agent, or Firm* — McNair Law Firm, P.A.;  
Douglas L. Lineberry

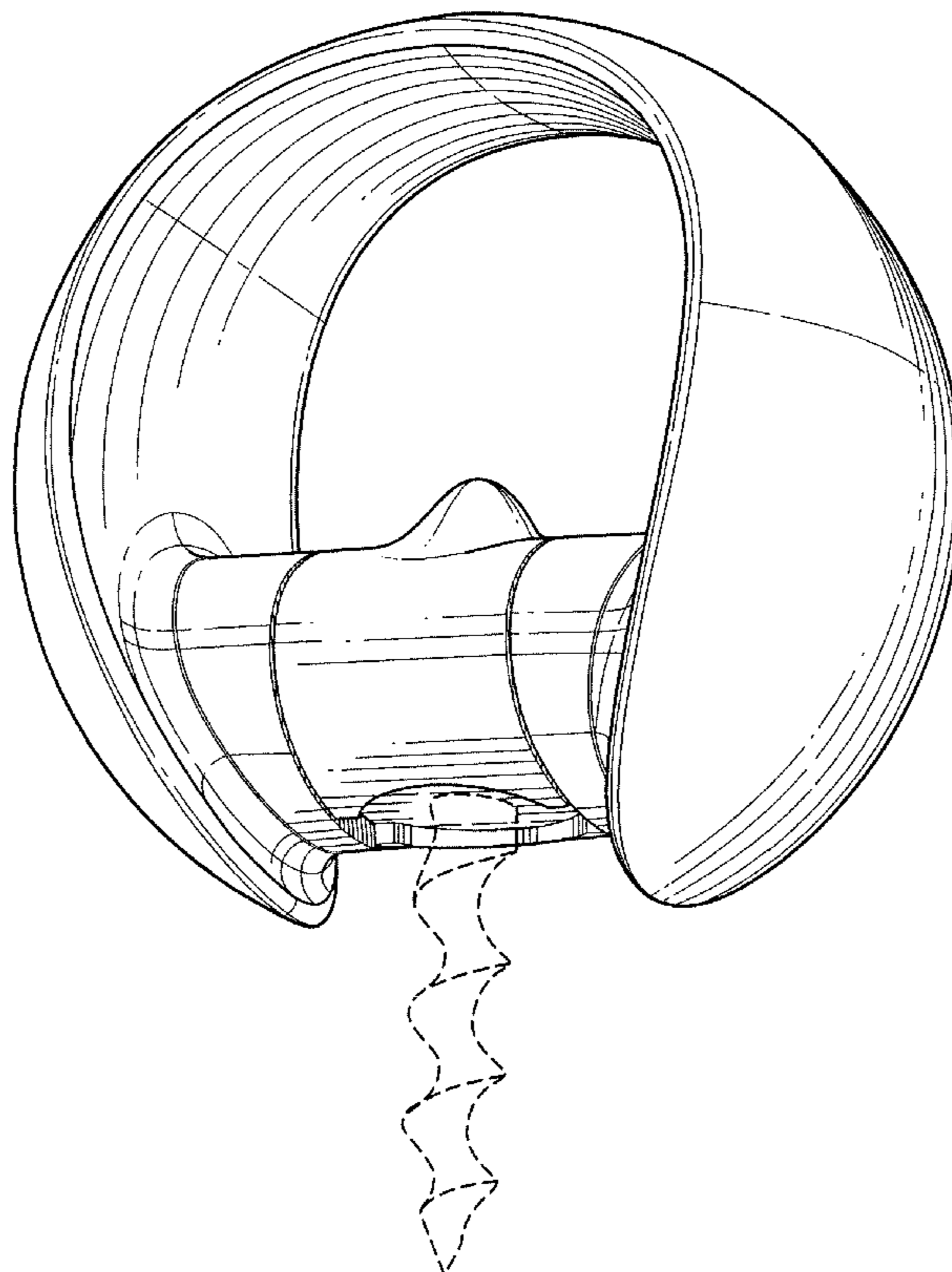
(57) **CLAIM**

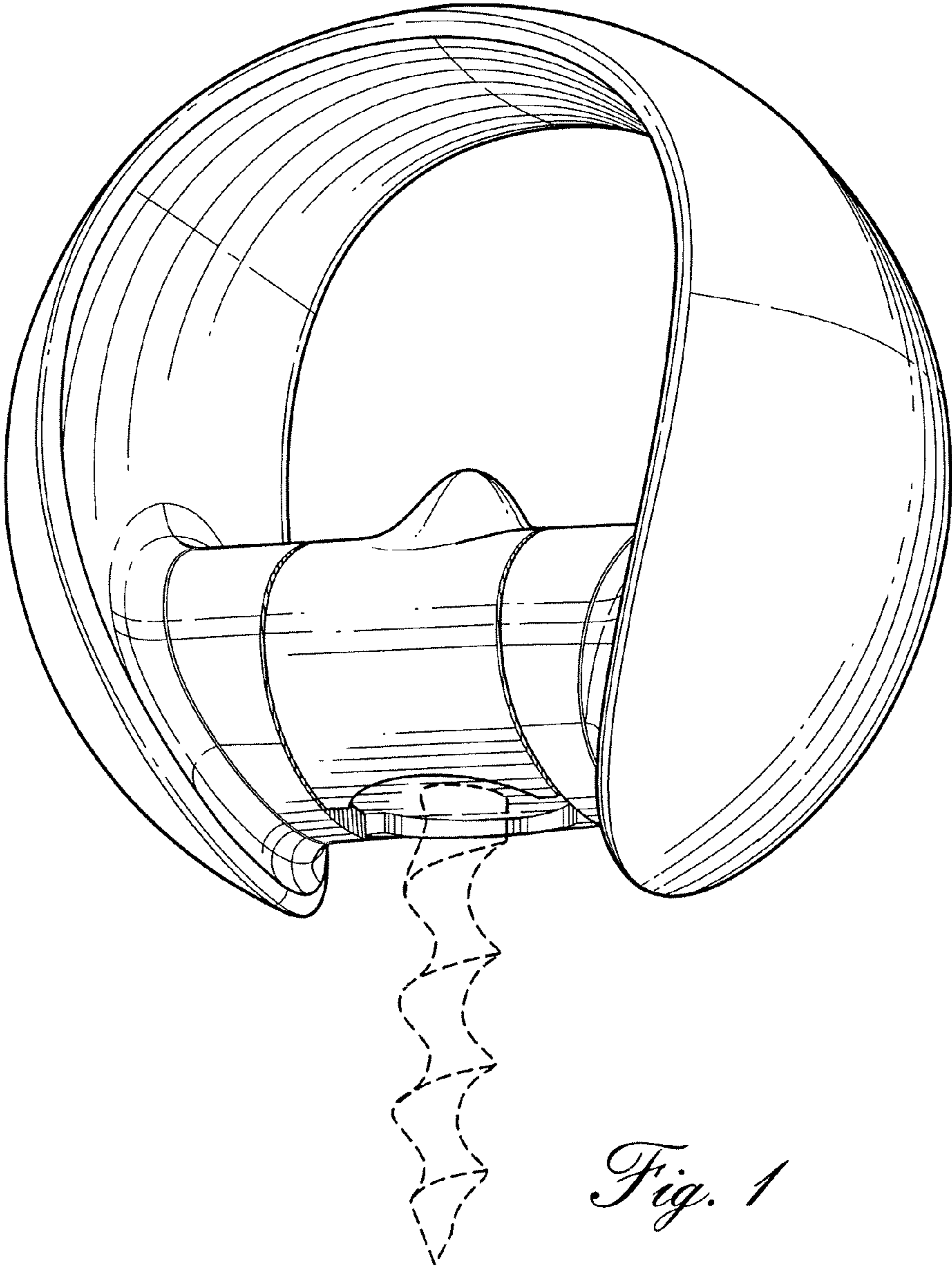
The ornamental design for a bottle opener, as shown and described.

**DESCRIPTION**

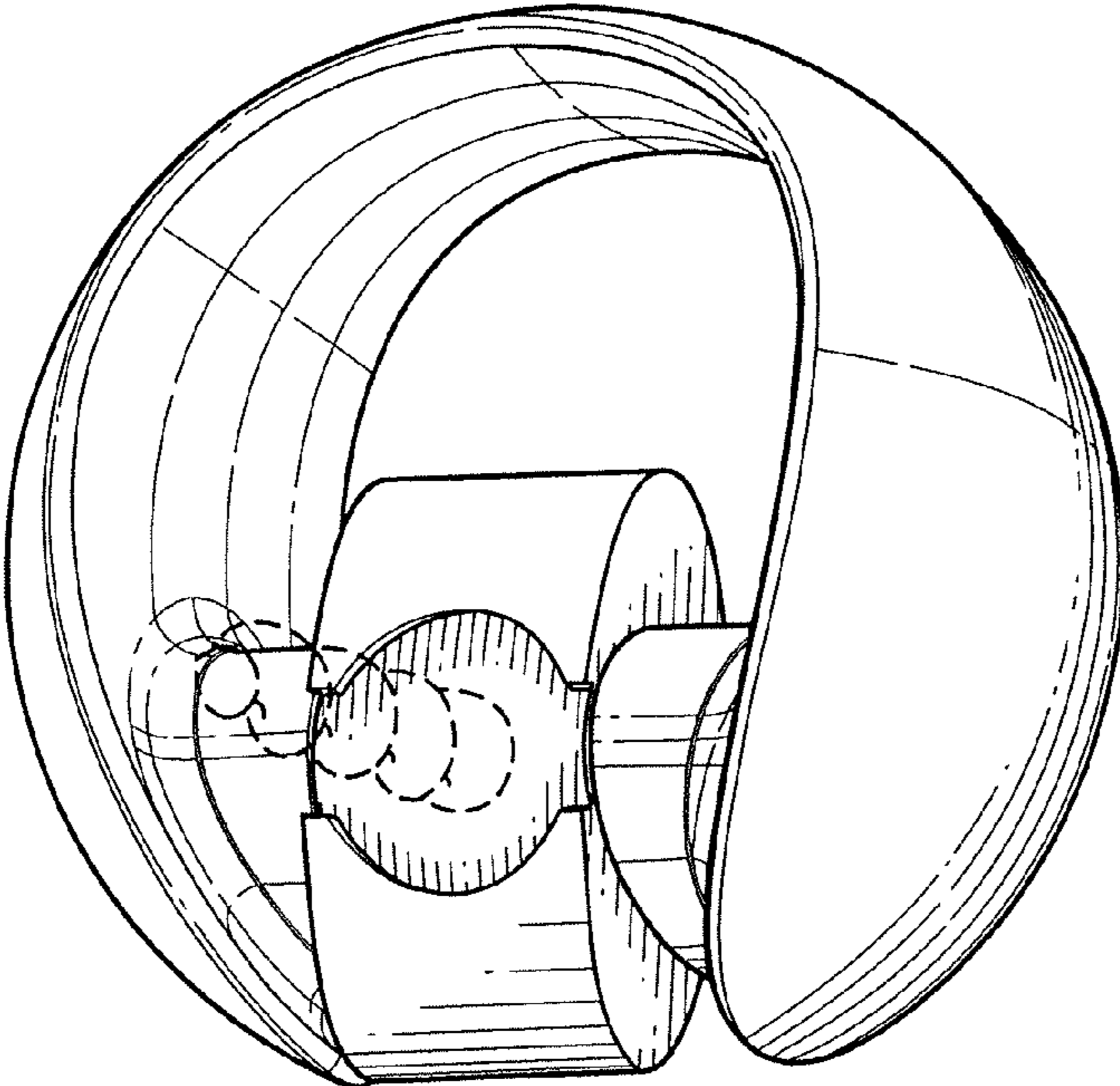
FIG. 1 is a front view of the bottle opener with the opener rotated to an open position;  
FIG. 2 is a front view thereof with the opener rotated to 90 degrees from the open position;  
FIG. 3 is a front view thereof with the opener rotated to a closed position;  
FIG. 4 is a front view thereof with the opener rotated to an open position;  
FIG. 5 is a side view thereof;  
FIG. 6 is a bottom view thereof; and,  
FIG. 7 is a top view thereof.  
The corkscrew in broken lines is included to show a feature that forms no part of the claimed design.

**1 Claim, 3 Drawing Sheets**

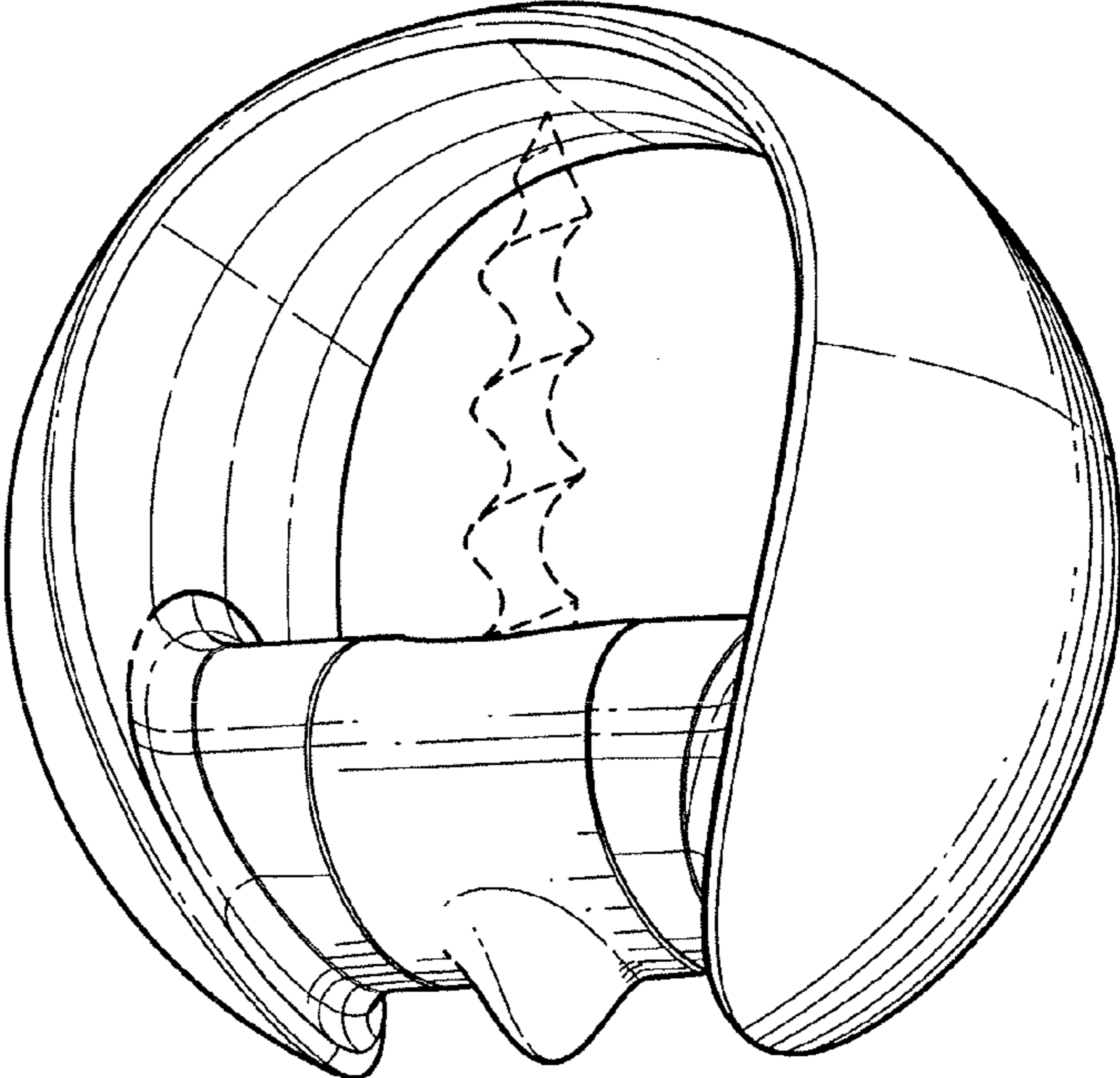




*Fig. 1*

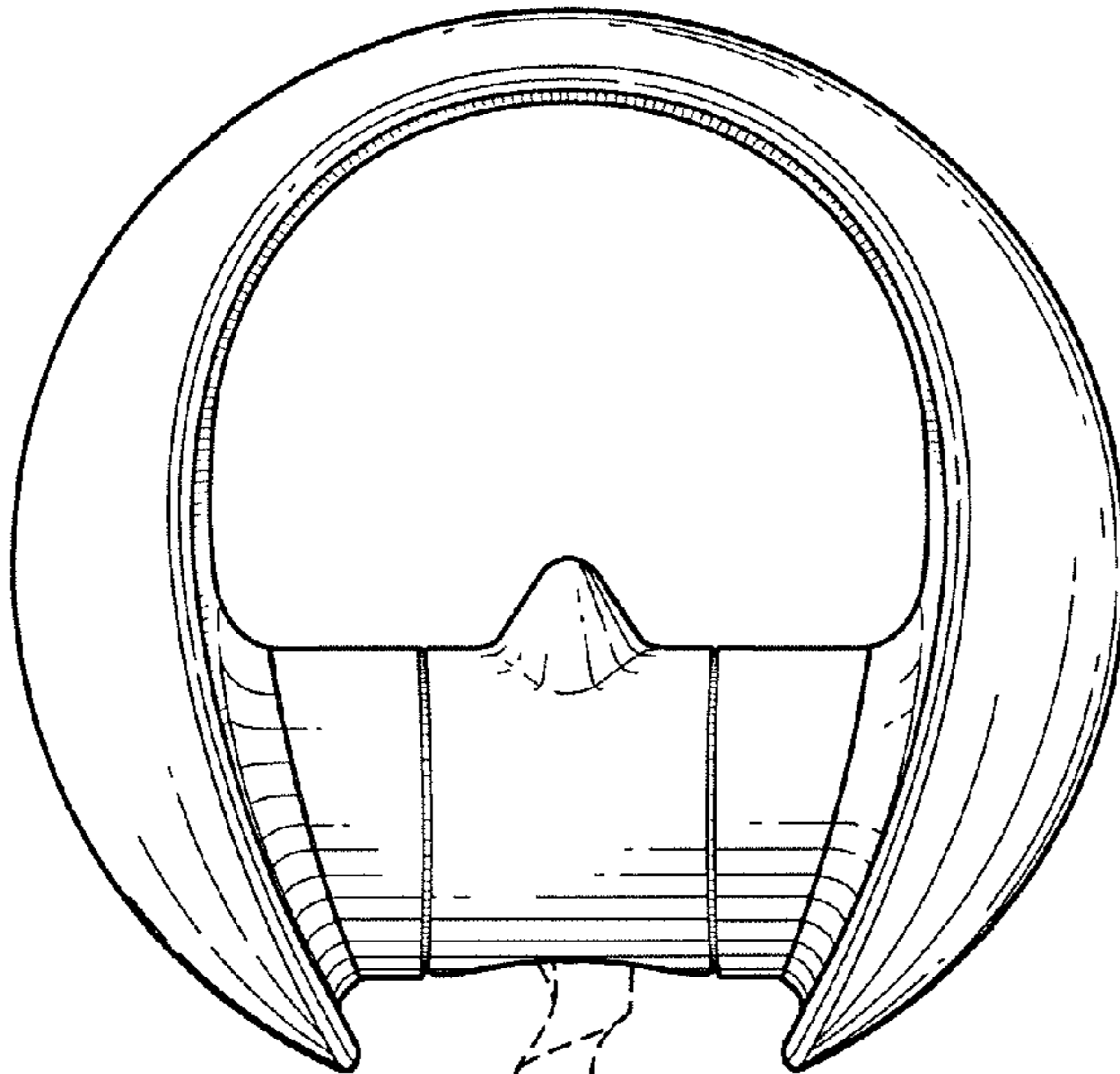


*Fig. 2*

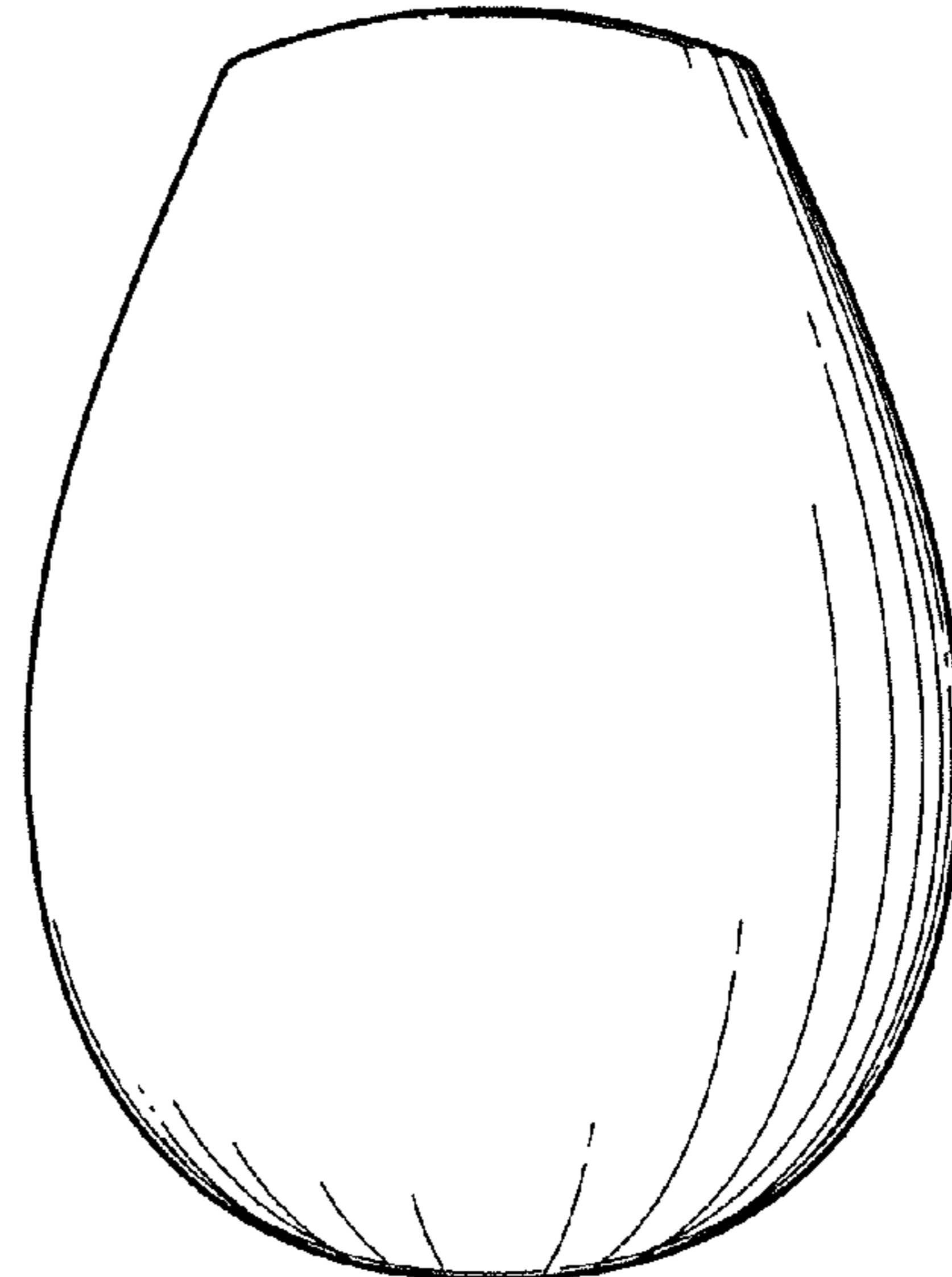


*Fig. 3*

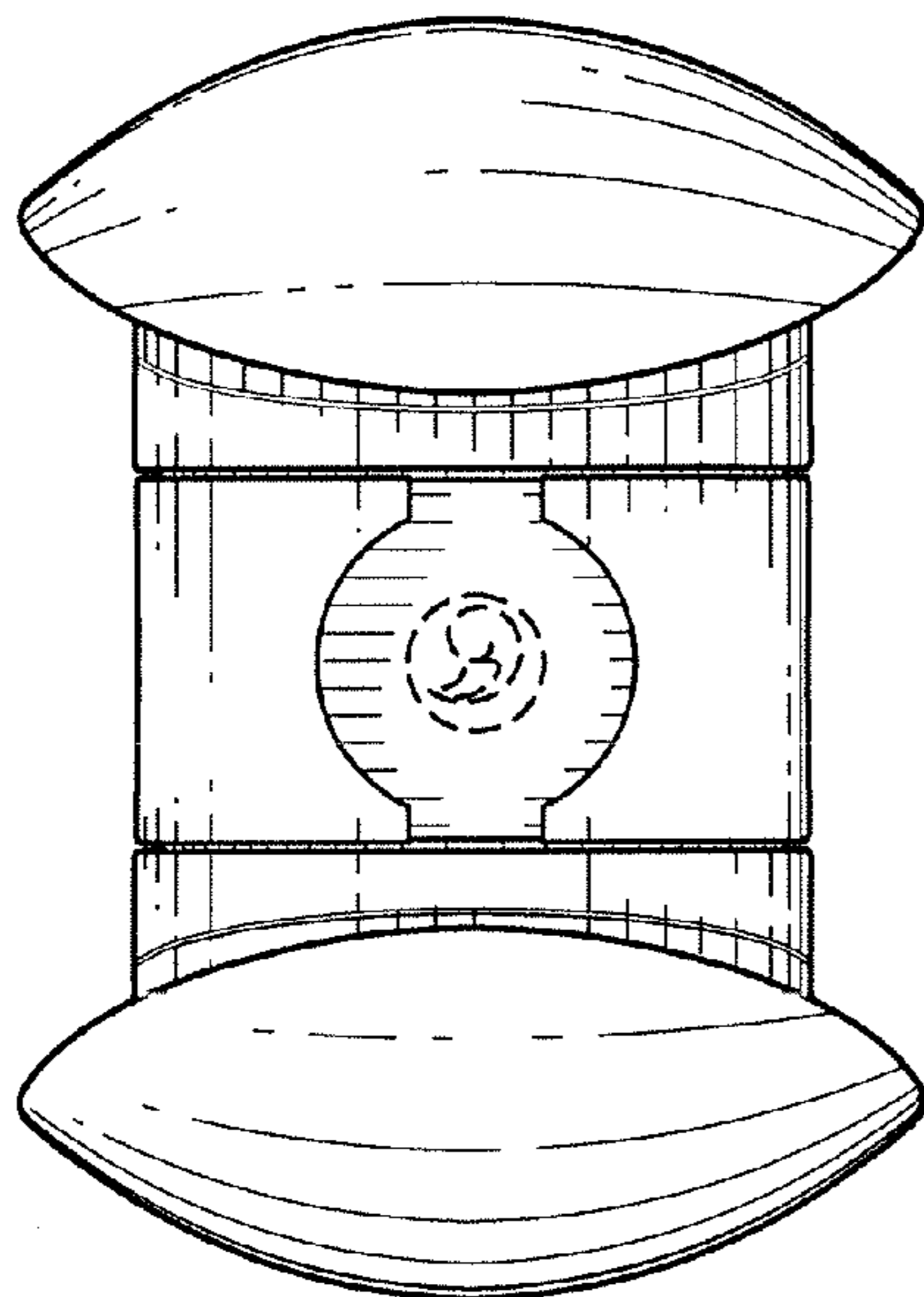




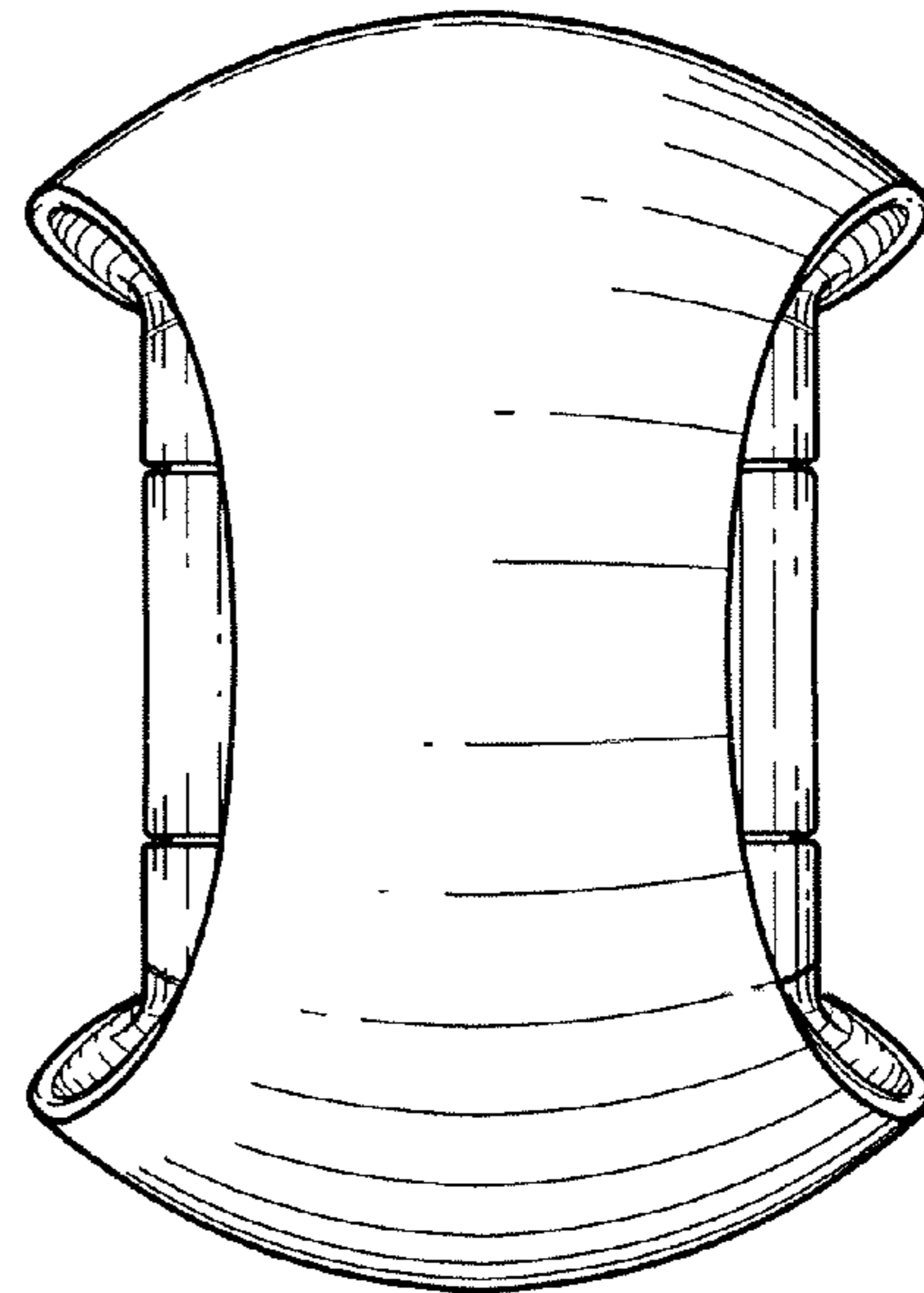
*Fig. 4*



*Fig. 5*



*Fig. 6*



*Fig. 7*