



US00D733796S

(12) **United States Design Patent**  
**Yamazaki**

(10) **Patent No.:** **US D733,796 S**

(45) **Date of Patent:** **\*\* Jul. 7, 2015**

(54) **COMBINED INK RIBBON ROLL AND SUPPLY BOBBIN**

(71) Applicant: **YUYAMA MFG. CO., LTD.**, Osaka (JP)

(72) Inventor: **Noboru Yamazaki**, Osaka (JP)

(73) Assignee: **Yuyama Mfg. Co., Ltd.**, Osaka (JP)

(\*\*) Term: **14 Years**

(21) Appl. No.: **29/482,410**

(22) Filed: **Feb. 18, 2014**

(30) **Foreign Application Priority Data**

Aug. 23, 2013 (JP) ..... 2013-019311

(51) **LOC (10) Cl.** ..... **18-02**

(52) **U.S. Cl.**  
USPC ..... **D18/56**

(58) **Field of Classification Search**

USPC ..... D18/12, 43, 56; 360/132, 134; 399/260, 399/262; 400/194-195, 207-208, 208.1, 400/234, 235.1, 247; D14/484

CPC ..... B41J 2/325; B41J 3/36; B41J 3/44; B41J 3/4075; B41J 11/009; B41J 15/02; B41J 15/0444; B41J 31/00; B41J 31/05; B41J 31/06; B41J 31/08; B41J 31/12; B41J 32/00; B41J 33/16; B41J 35/28

See application file for complete search history.

(56) **References Cited**

**U.S. PATENT DOCUMENTS**

D289,518 S \* 4/1987 Kikuchi ..... D14/484  
4,754,358 A \* 6/1988 Oishi ..... D14/484  
5,023,741 A \* 6/1991 Conti et al. .... 360/132  
5,253,136 A \* 10/1993 Suzuki et al. .... 360/132  
D355,671 S \* 2/1995 Onumata ..... D18/56

D358,601 S \* 5/1995 Zinsmeyer ..... D18/12  
5,548,460 A \* 8/1996 Ohira et al. .... 360/132  
D376,796 S \* 12/1996 Hirasawa ..... D18/56  
5,842,796 A \* 12/1998 Horie ..... 400/208  
5,969,913 A \* 10/1999 Vanderheyden et al. .... 360/132  
D417,886 S \* 12/1999 Sakuta et al. .... D18/56  
6,385,004 B1 \* 5/2002 Sanpei et al. .... 360/132  
D466,150 S \* 11/2002 Matsumoto et al. .... D18/56  
D473,262 S \* 4/2003 Christensen et al. .... D18/56  
6,683,752 B2 \* 1/2004 Ota et al. .... 360/132  
D656,541 S \* 3/2012 Ko ..... D18/56  
D665,020 S \* 8/2012 Sodeyama ..... D18/56  
D675,254 S \* 1/2013 Kubota et al. .... D18/56

\* cited by examiner

*Primary Examiner* — Cathy A MacCormac

(74) *Attorney, Agent, or Firm* — Wenderoth, Lind & Ponack, L.L.P.

(57) **CLAIM**

The ornamental design for a combined ink ribbon roll and supply bobbin, as shown.

**DESCRIPTION**

FIG. 1 is a front view of the combined ink ribbon roll and supply bobbin according to the design of the present invention;

FIG. 2 is a back view thereof;

FIG. 3 is a right side view thereof;

FIG. 4 is a left side view thereof;

FIG. 5 is a top view thereof;

FIG. 6 is a bottom view thereof;

FIG. 7 is a sectional view thereof along line 7-7 in FIG. 1;

FIG. 8 is a sectional view thereof along line 8-8 in FIG. 1;

FIG. 9 is a perspective view thereof; and,

FIG. 10 is a reduced perspective view of the combined ink ribbon roll and supply bobbin in use.

The broken lines shown in the drawings are for illustration only and form no part of the claimed design.

**1 Claim, 5 Drawing Sheets**

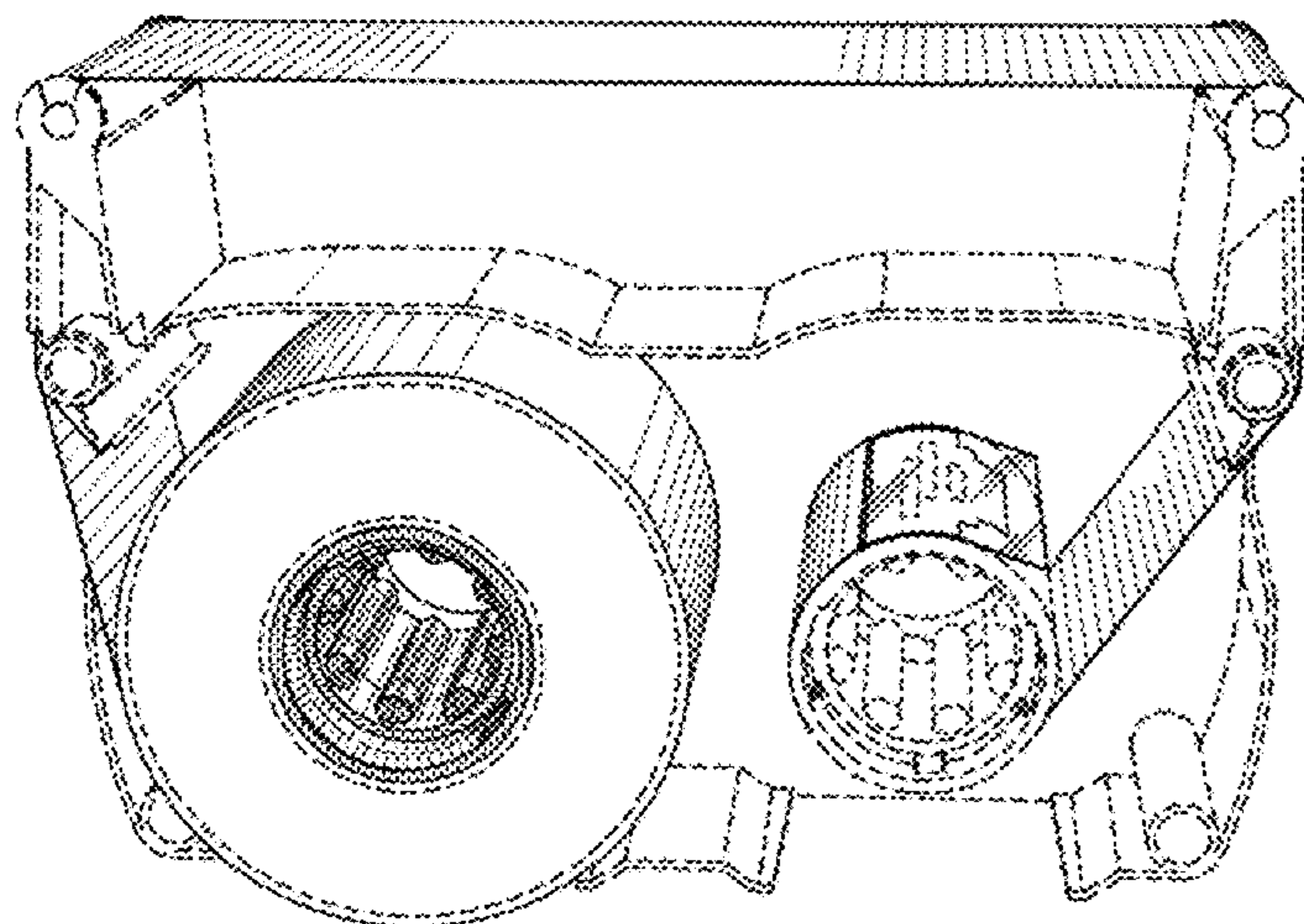
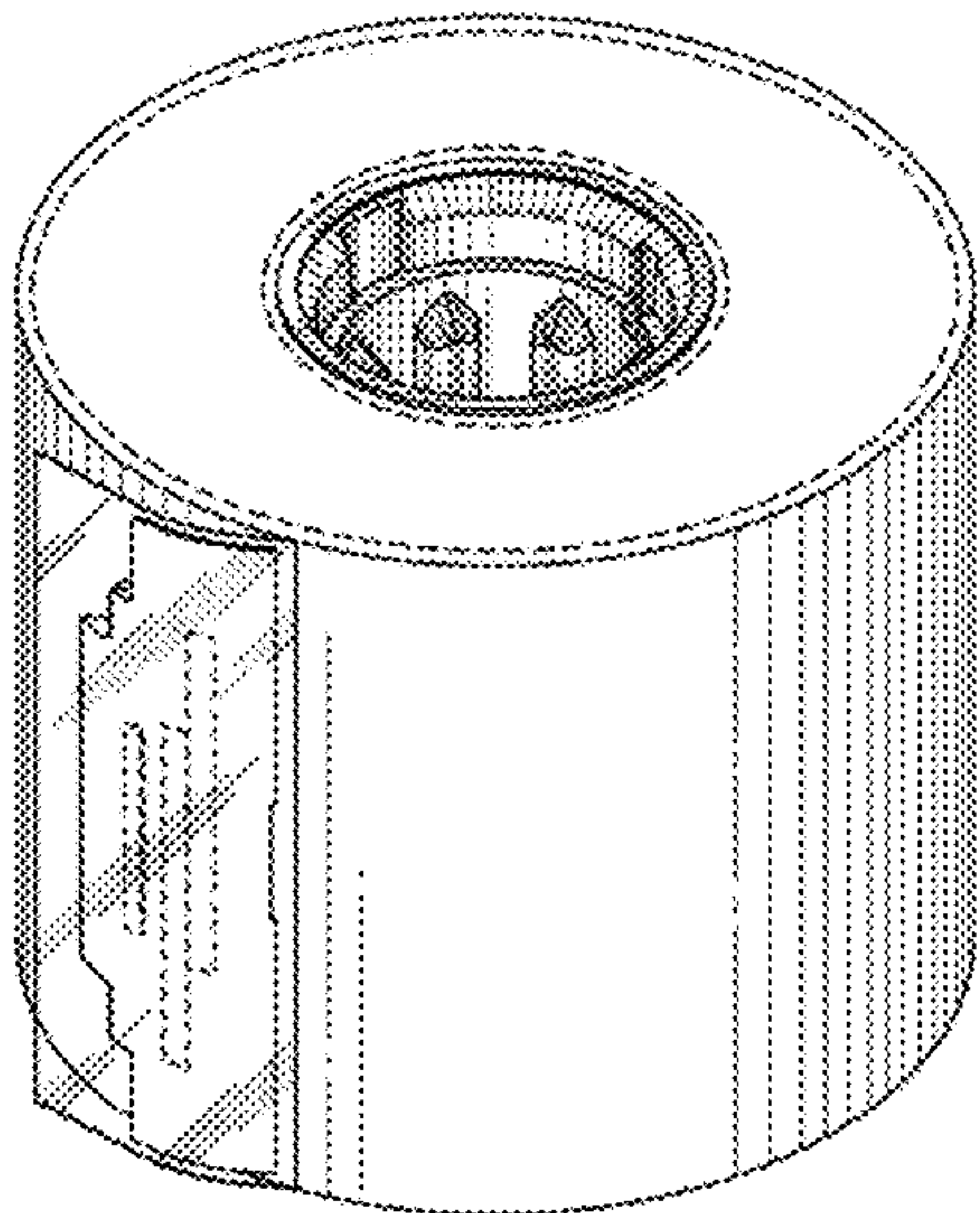


FIG.1

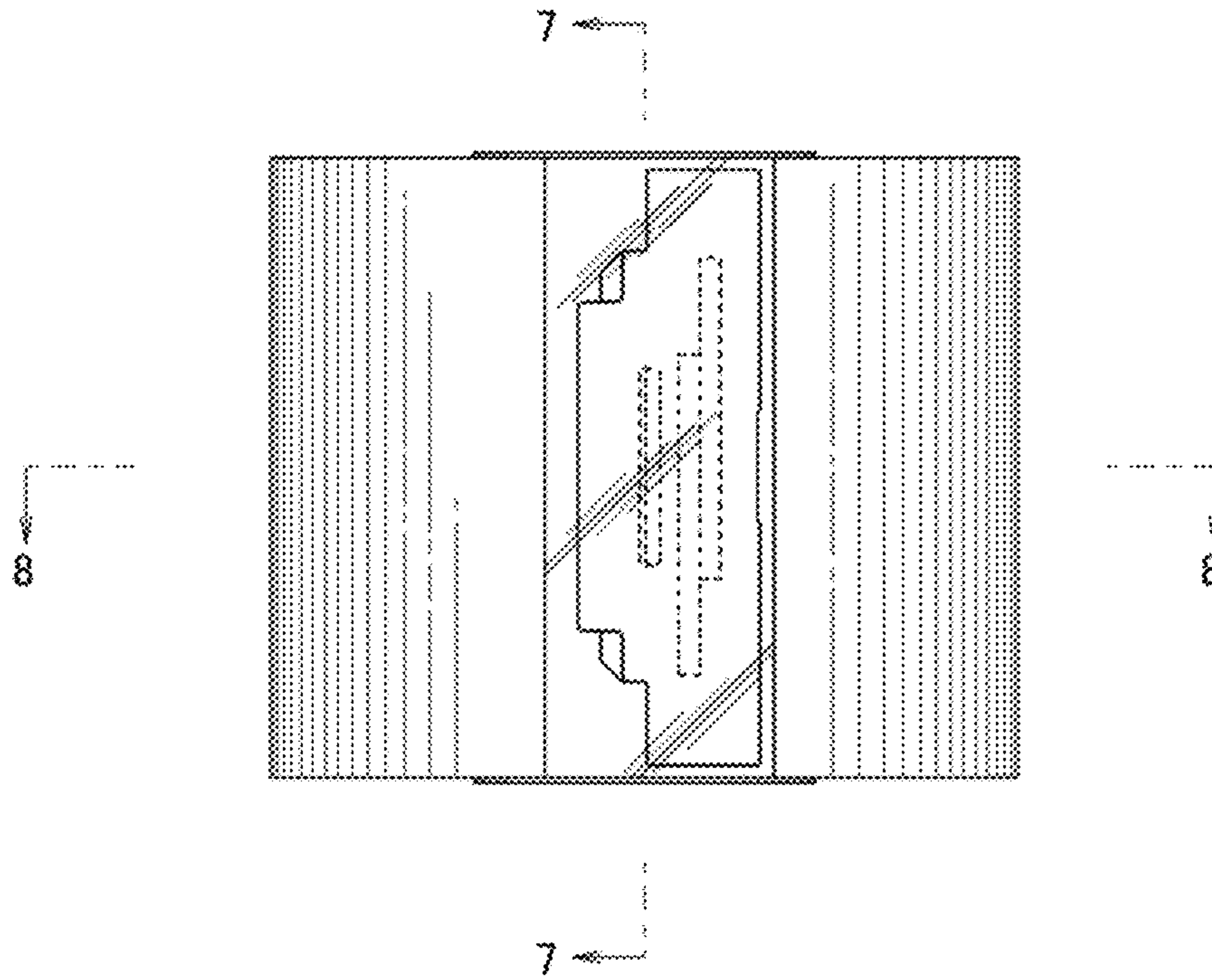


FIG.2

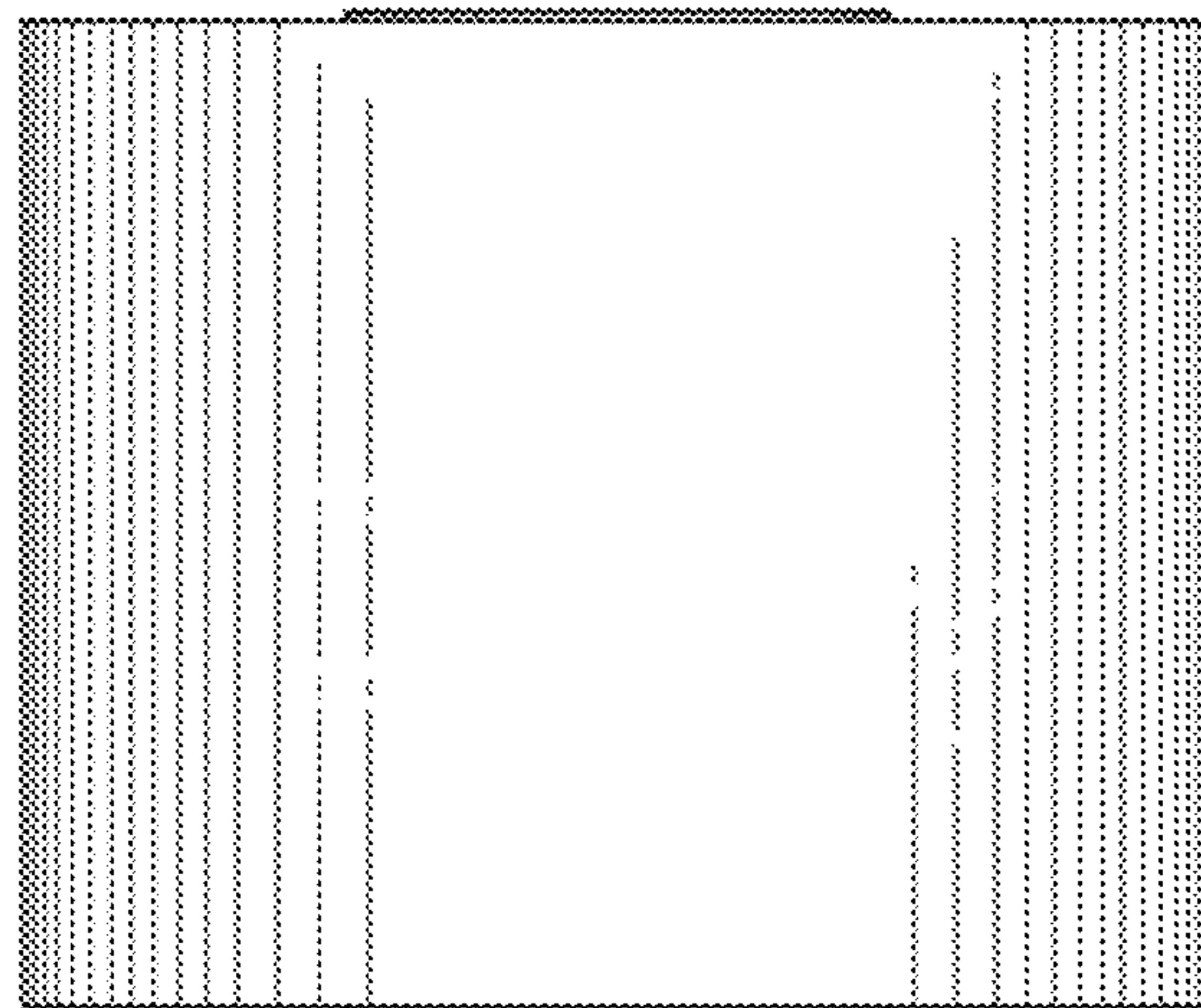




FIG.3

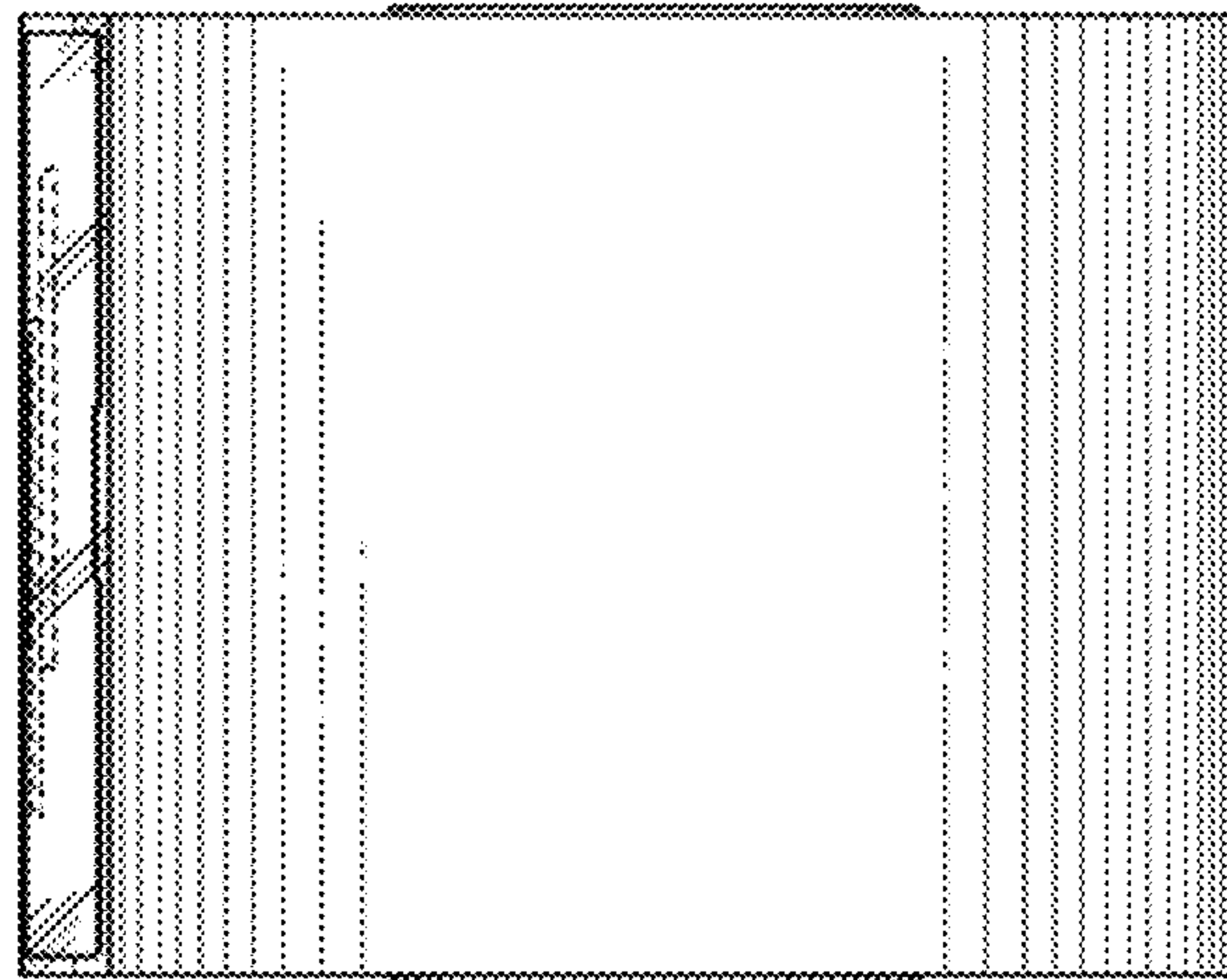


FIG.4

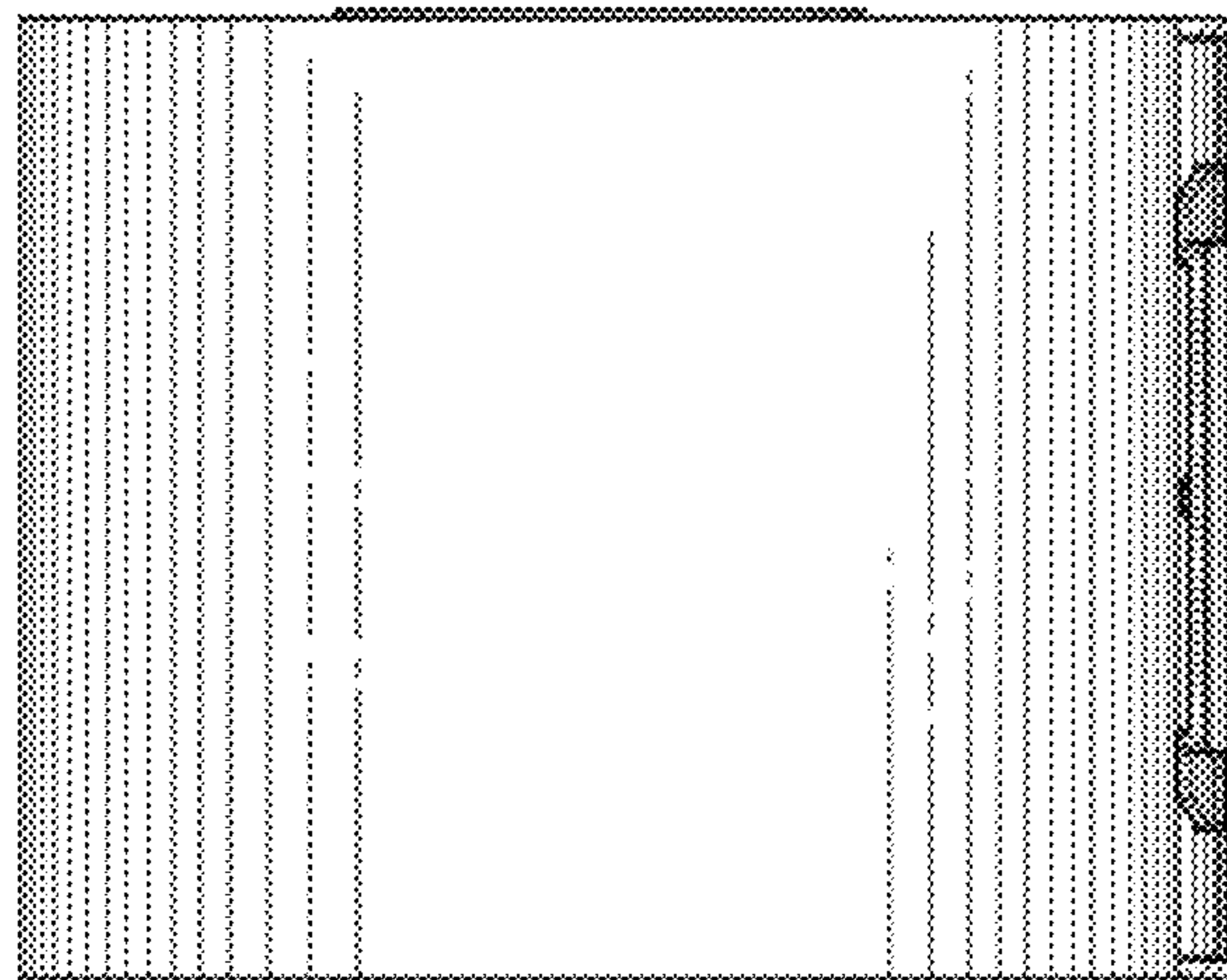


FIG.5

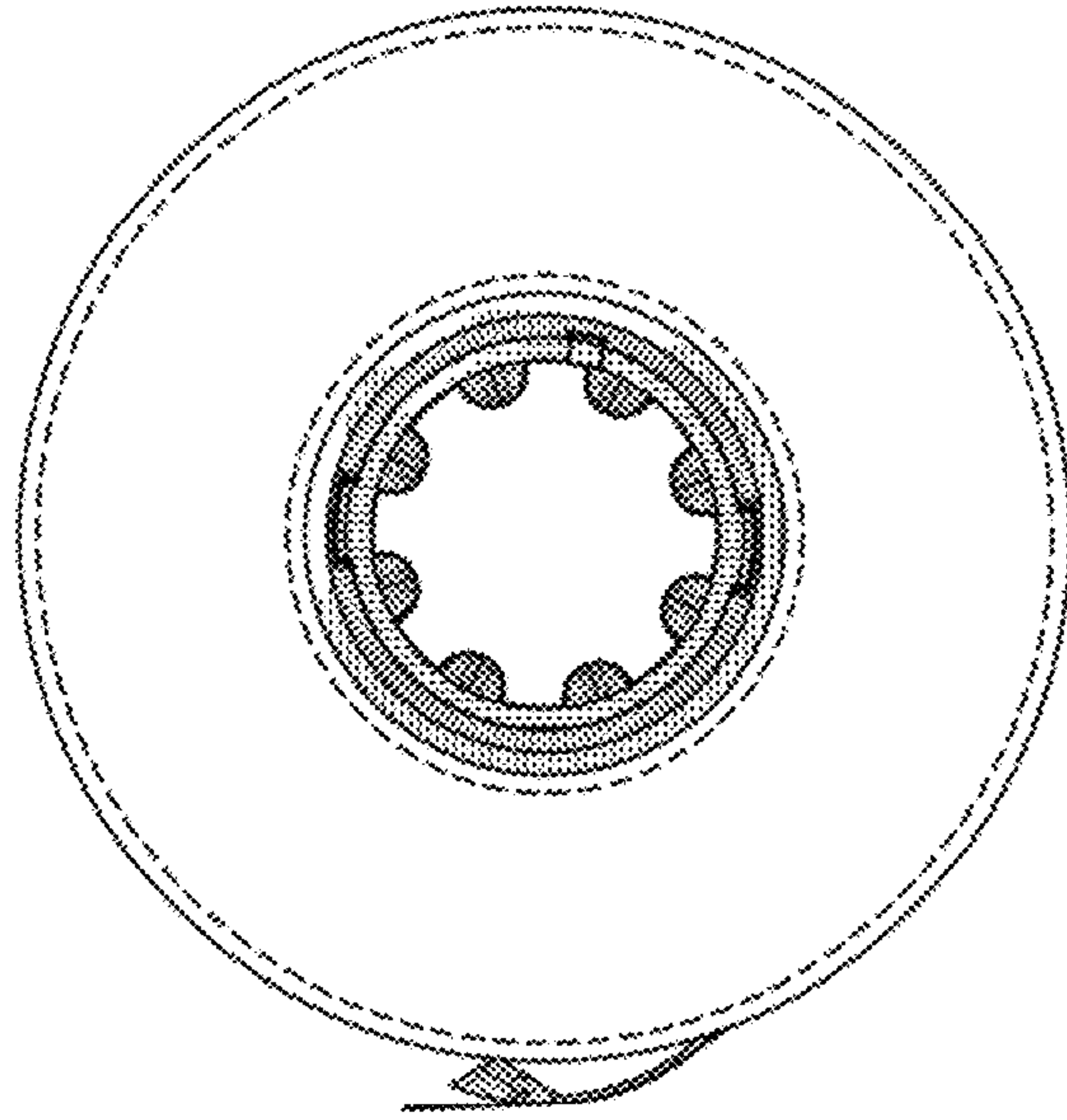


FIG.6

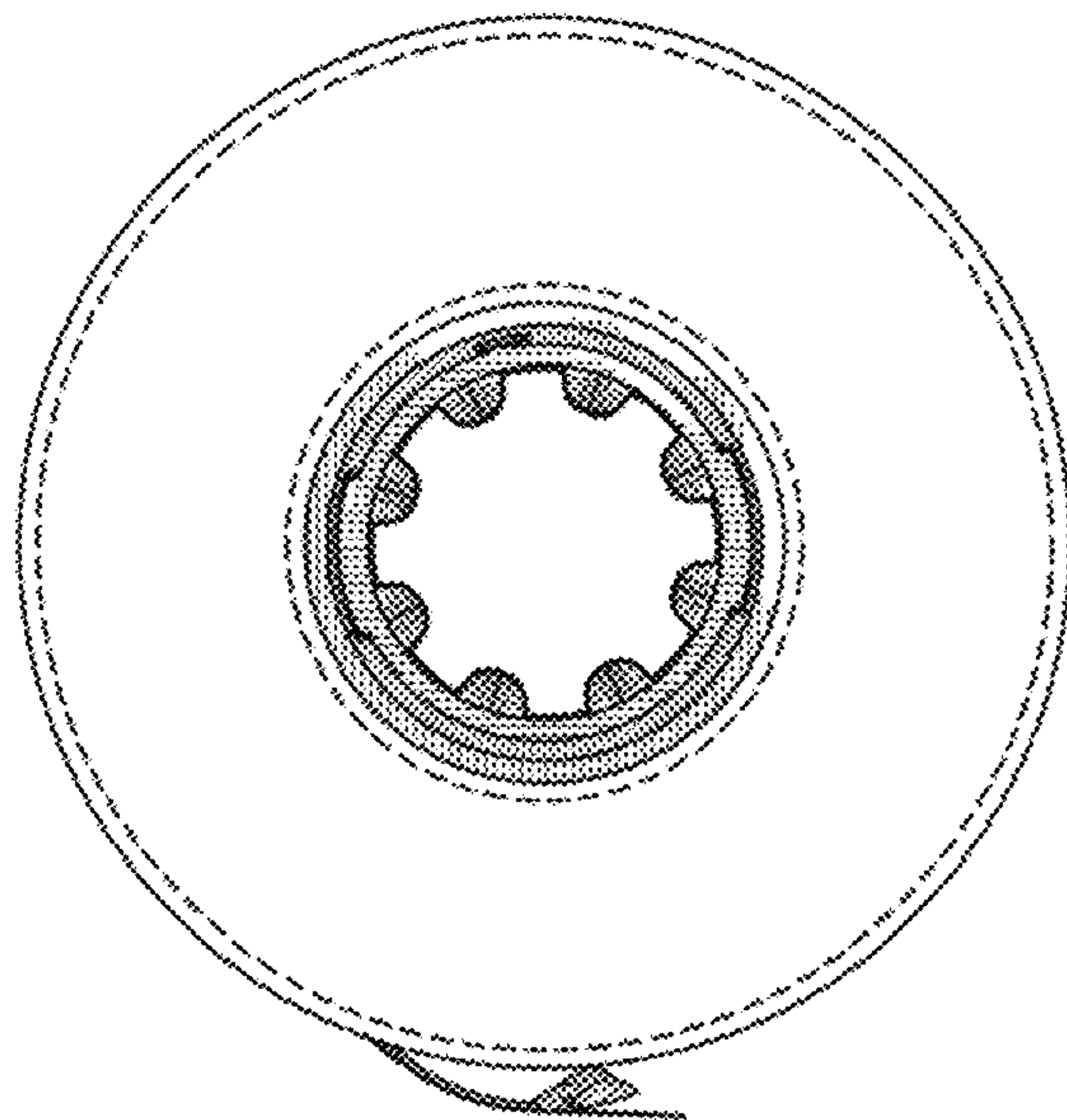


FIG.7

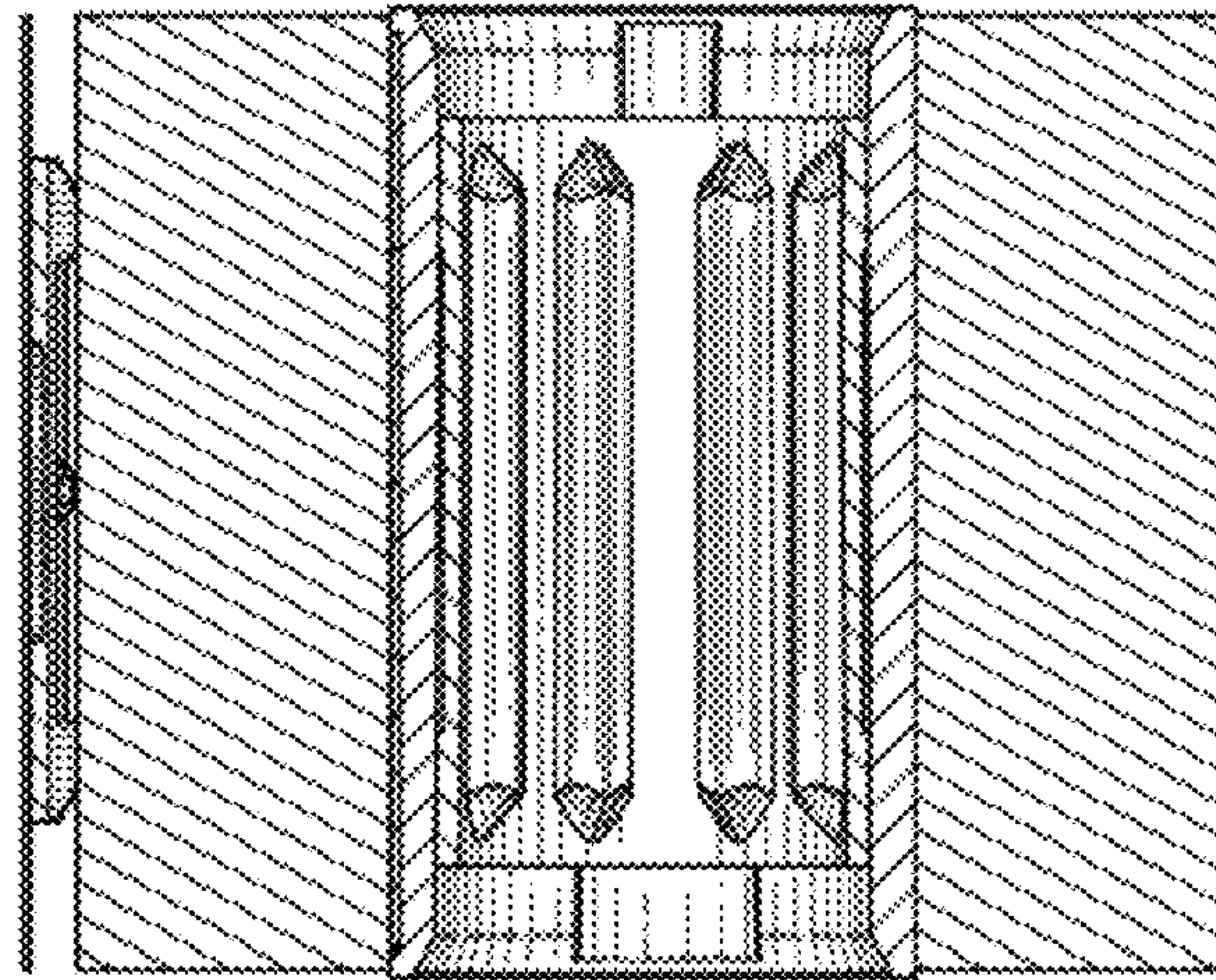


FIG.8

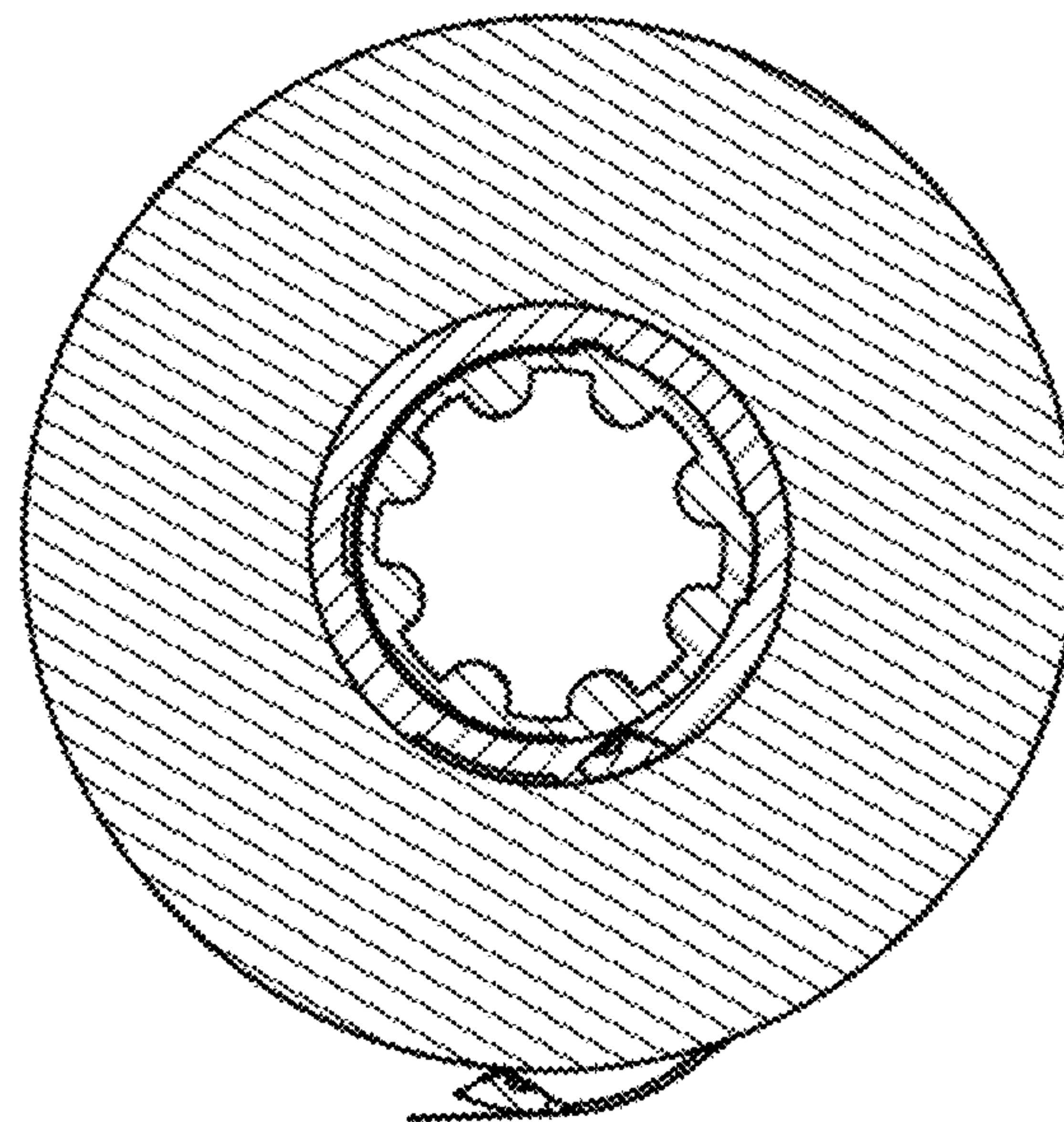




FIG.9

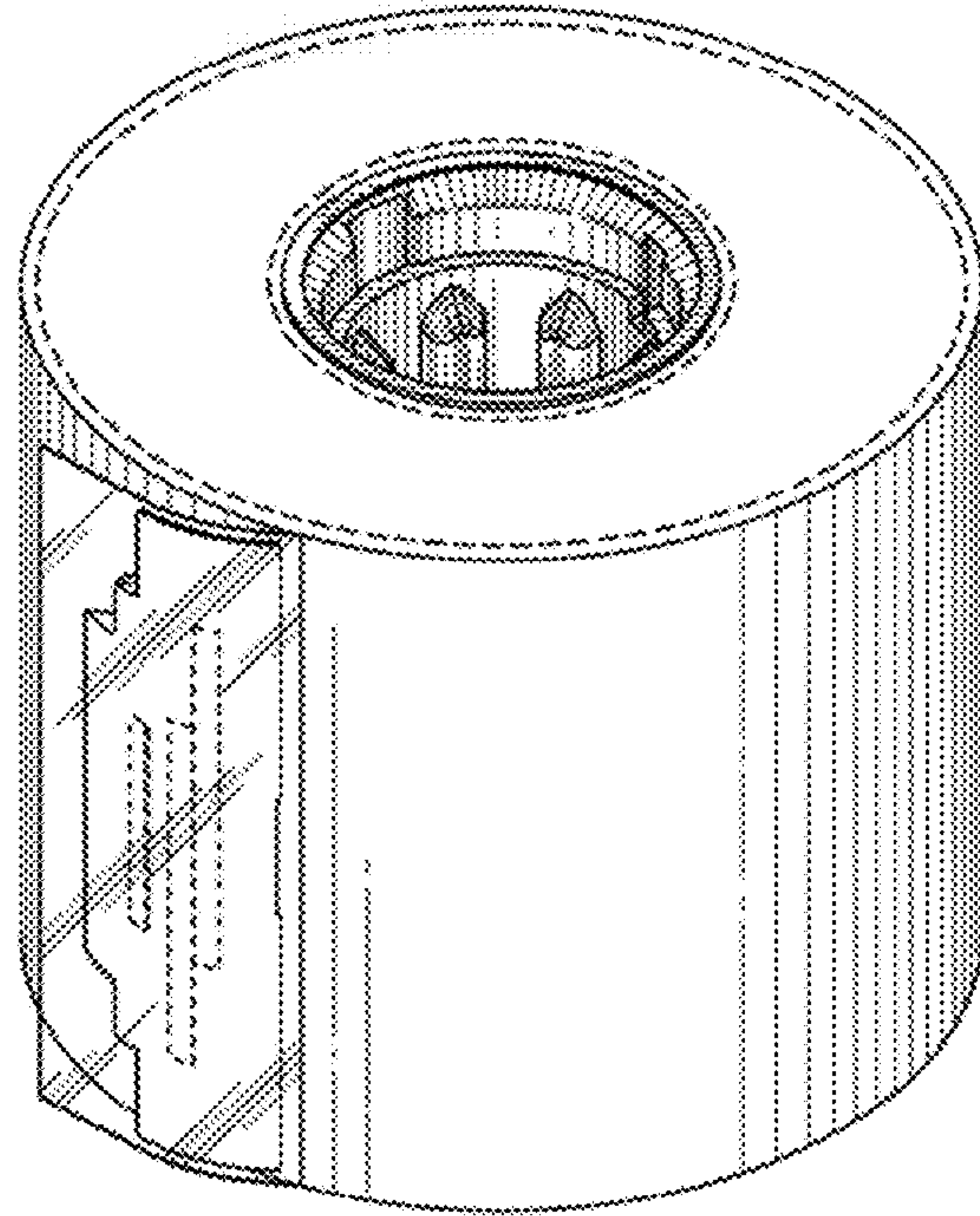


FIG.10

