



US00D733793S

(12) **United States Design Patent**
Billings

(10) **Patent No.:** **US D733,793 S**

(45) **Date of Patent:** **** Jul. 7, 2015**

- (54) **MACHINE HEAD BUTTON**
- (71) Applicant: **GTI GRAPH TECH INNOVATIONS LTD.,** Delta (CA)
- (72) Inventor: **Scott Billings,** Vancouver (CA)
- (73) Assignee: **GTI GRAPH TECH INNOVATIONS LTD.,** Delta (CA)
- (**) Term: **14 Years**
- (21) Appl. No.: **29/439,650**
- (22) Filed: **Dec. 13, 2012**
- (51) **LOC (10) Cl.** **17-03**
- (52) **U.S. Cl.**
USPC **D17/20**
- (58) **Field of Classification Search**
USPC D17/14, 18-21, 99; 84/267, 290-293,
84/297 R, 298, 304, 307, 312 R, 314 R,
84/314 N, 455
See application file for complete search history.

- D561,819 S * 2/2008 Kachikian D17/99
- D569,382 S * 5/2008 Yow et al. D14/455
- D576,423 S * 9/2008 Weldon D6/434
- D607,920 S * 1/2010 Bartel D17/20
- D611,269 S * 3/2010 Lippert et al. D6/462
- D632,293 S * 2/2011 Withers D14/400

* cited by examiner

Primary Examiner — Rashida Johnson

(57) **CLAIM**

I claim the ornamental design for a machine head button, as shown and described.

DESCRIPTION

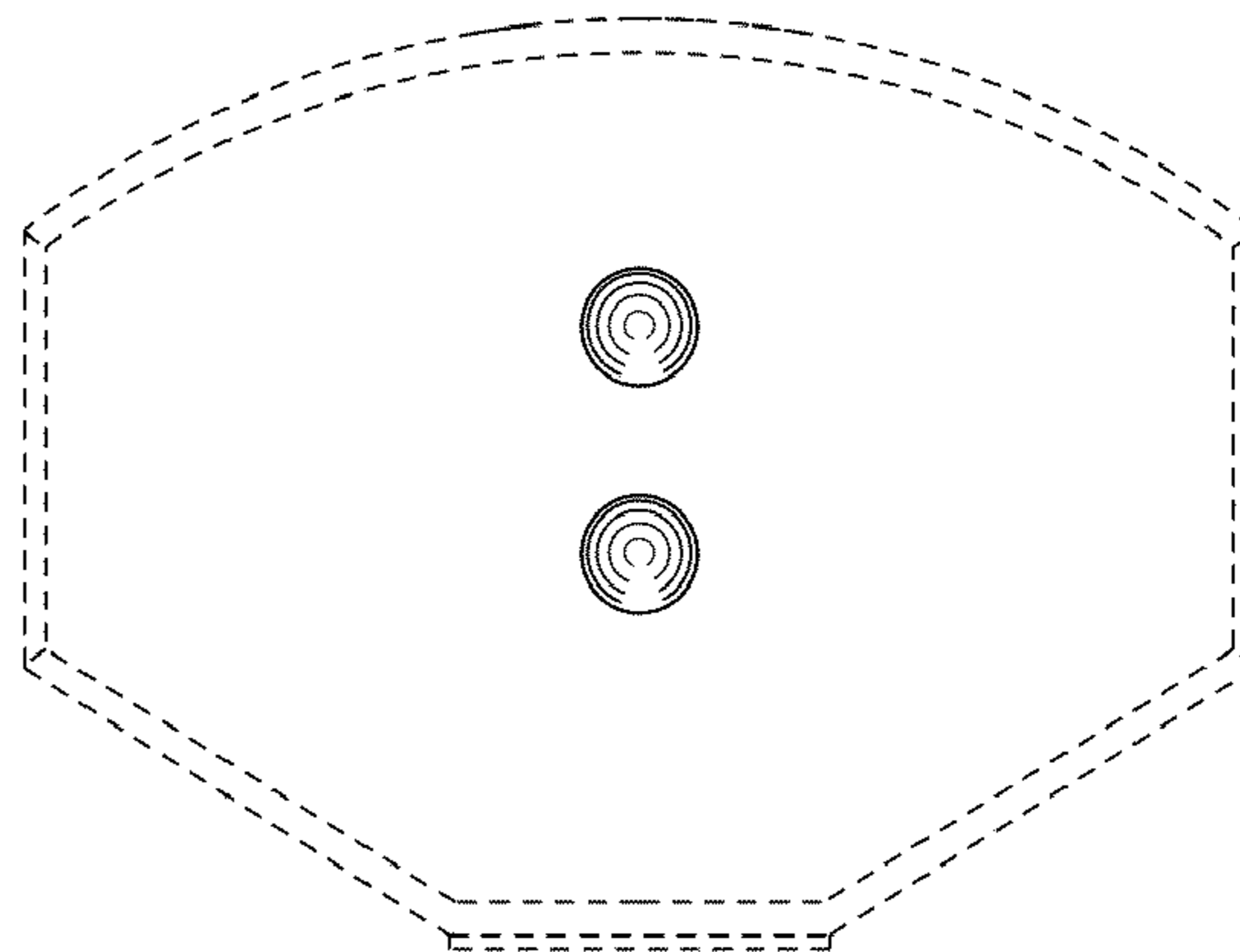
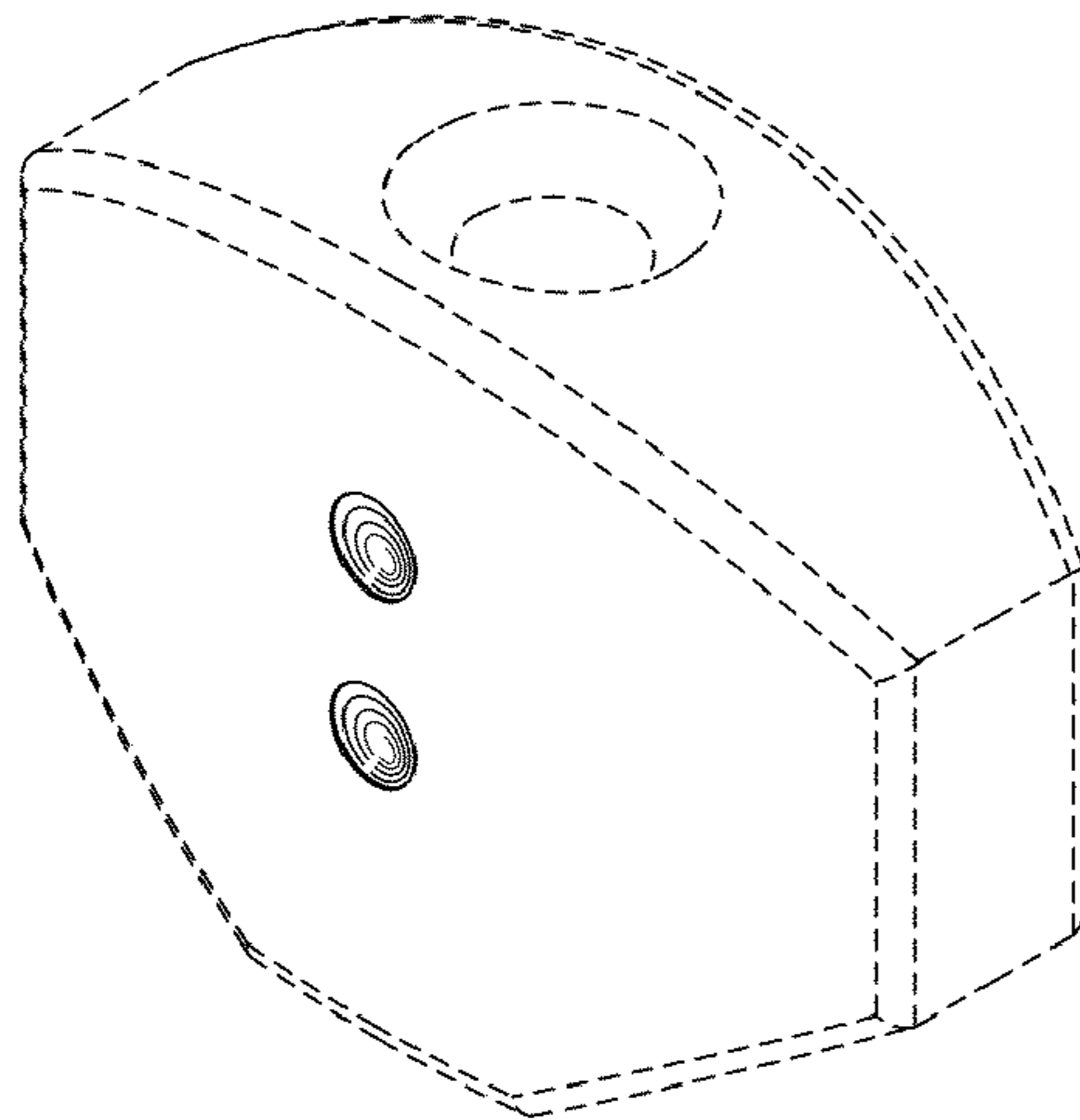
FIG. 1 is front perspective view of a machine head button showing the first embodiment of my new design;
 FIG. 2 is a top plan view thereof;
 FIG. 3 is a bottom plan view thereof;
 FIG. 4 is a front elevational view thereof;
 FIG. 5 is a rear elevational view thereof;
 FIG. 6 is cross-sectional view thereof, taken along line 6-6 in FIG. 4;
 FIG. 7 is a front perspective view of a machine head button, showing the second embodiment of the design;
 FIG. 8 is a top plan view thereof;
 FIG. 9 is front elevational view thereof;
 FIG. 10 is a bottom plan view thereof;
 FIG. 11 is a rear elevational view thereof; and,
 FIG. 12 is a cross-sectional view thereof, taken along line 12-12 in FIG. 9.
 The broken lines shown throughout the views represent the portions of the machine head button, which forms no part of the claimed design.

(56) **References Cited**

U.S. PATENT DOCUMENTS

- 3,563,126 A * 2/1971 Connington 84/298
- D319,456 S * 8/1991 Fender D17/20
- D378,516 S * 3/1997 Smith et al. D14/403
- D404,349 S * 1/1999 Julian D12/162
- D444,778 S * 7/2001 Ito et al. D14/168
- D446,554 S * 8/2001 Gautieri et al. D21/405
- D458,260 S * 6/2002 Moss et al. D14/403
- D462,962 S * 9/2002 Moss et al. D14/403
- D467,889 S * 12/2002 Cebe et al. D14/137
- D479,211 S * 9/2003 Siddoway et al. D14/137
- D481,025 S * 10/2003 Cebe et al. D14/137
- D500,494 S * 1/2005 Borsboom D14/218

1 Claim, 2 Drawing Sheets



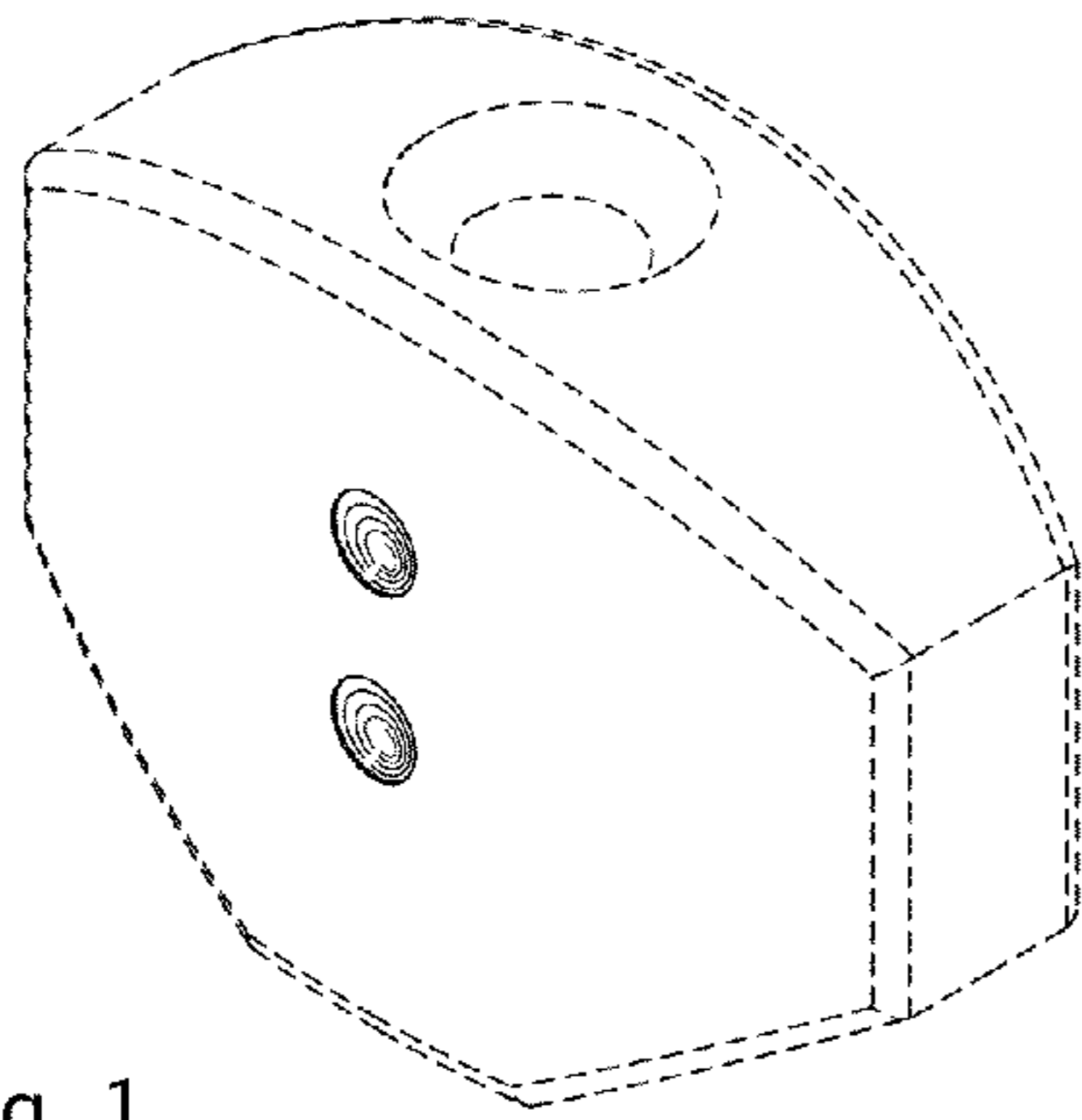


Fig. 1

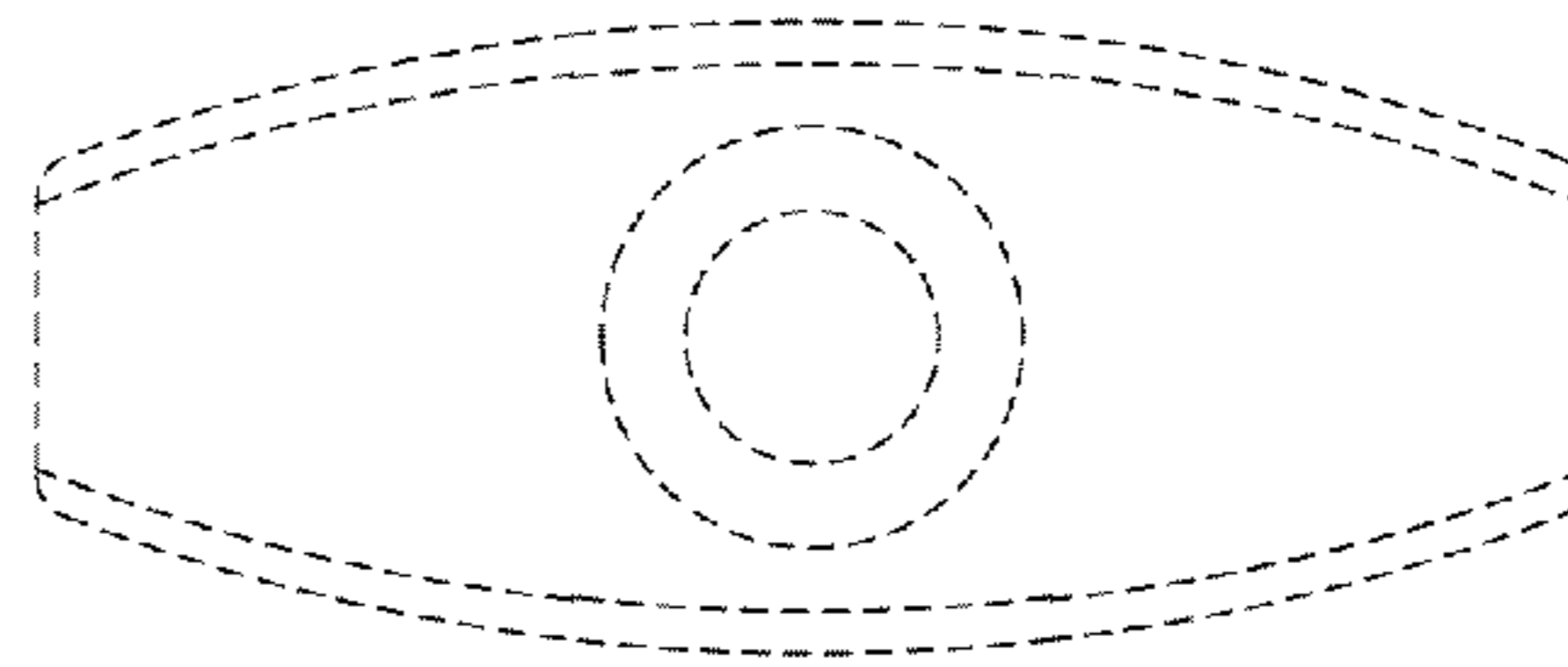


Fig. 2

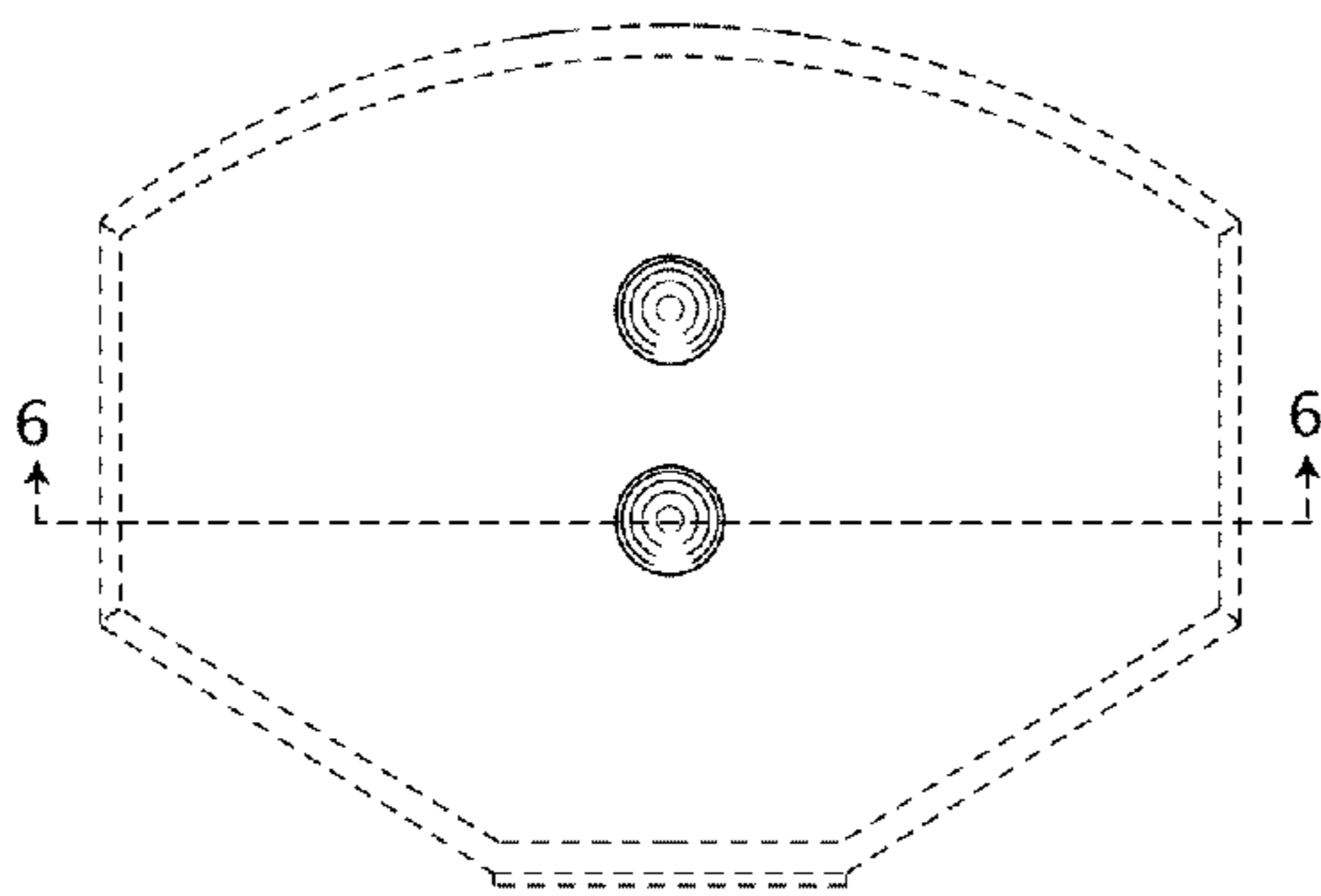


Fig. 4

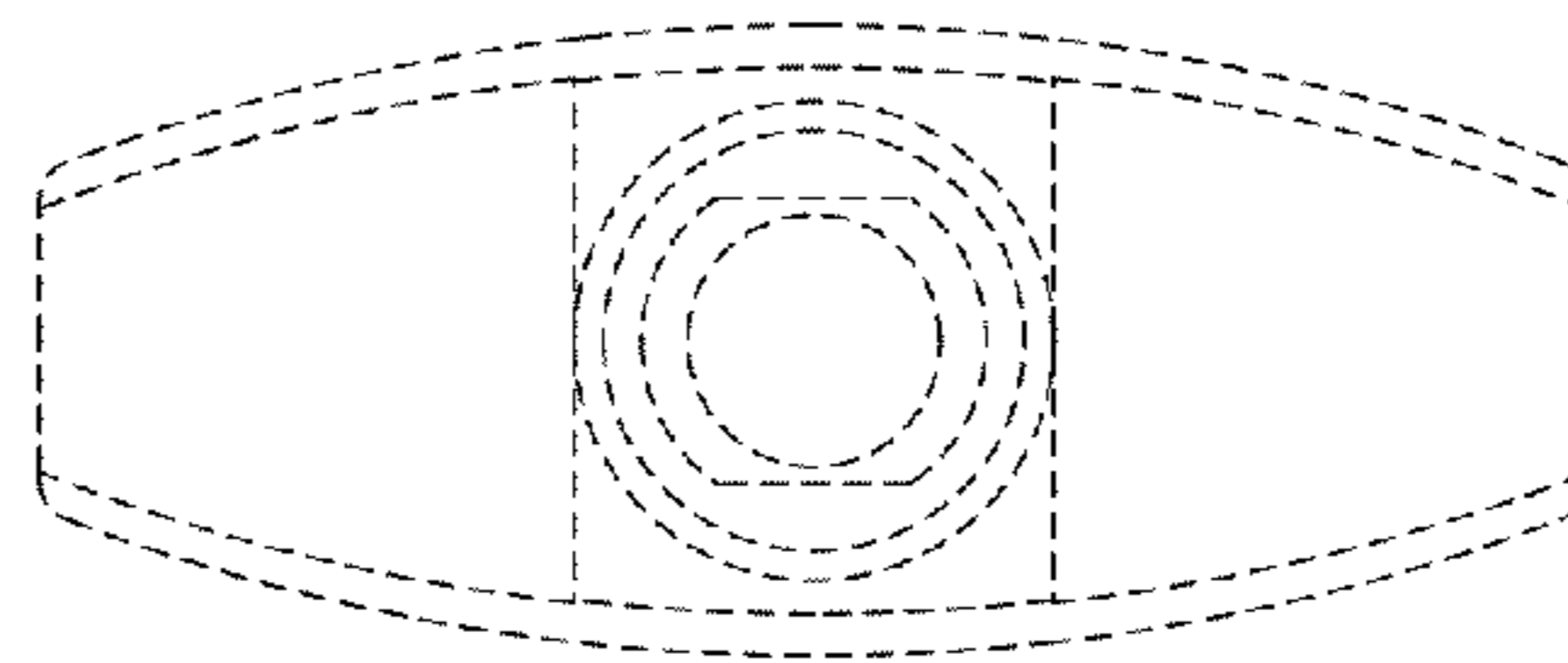


Fig. 3

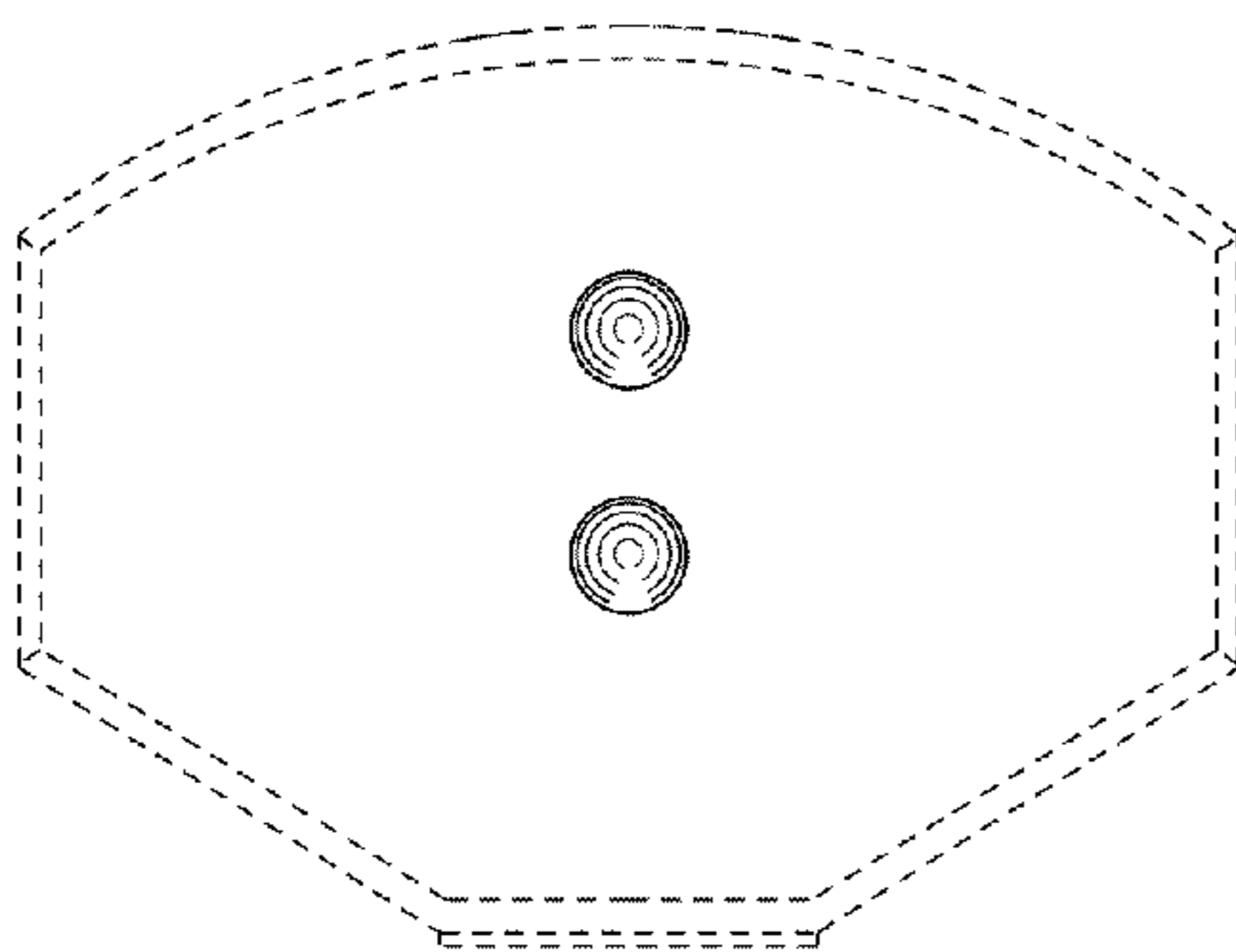


Fig. 5

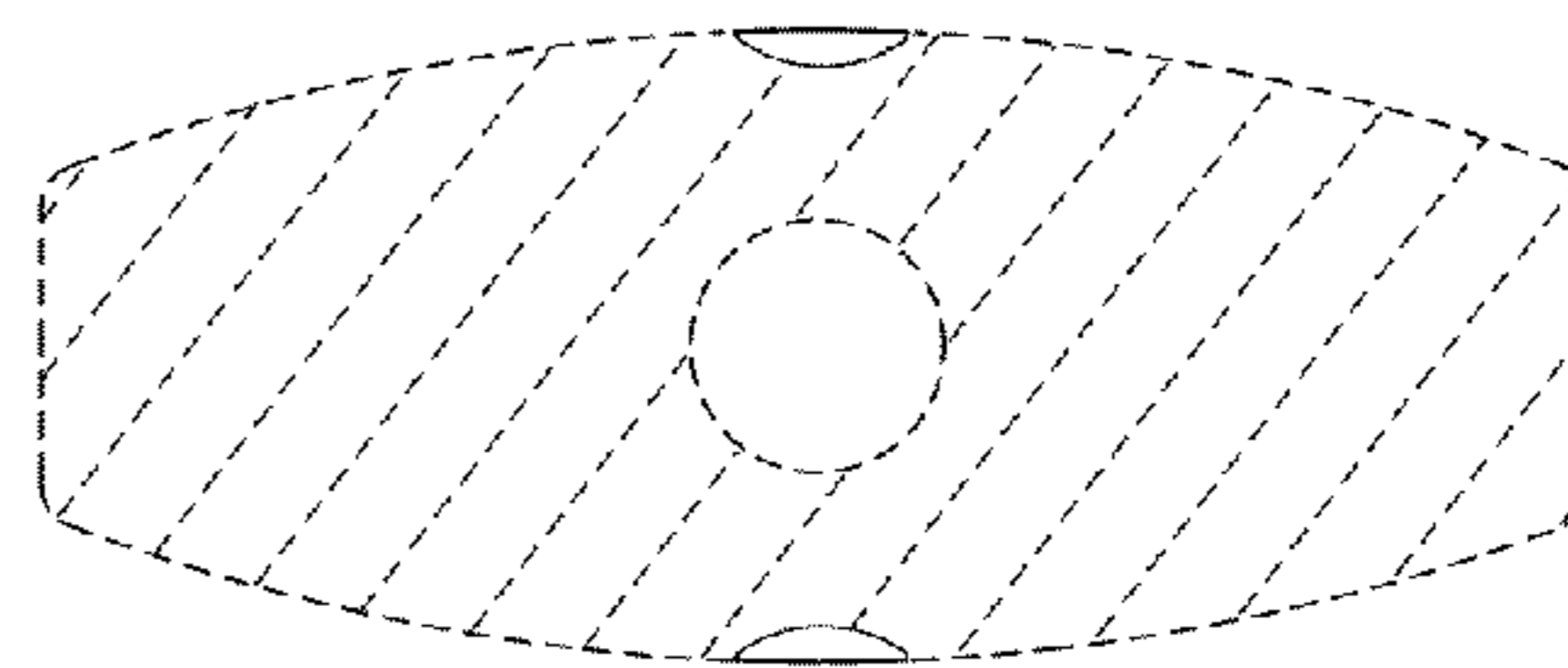


Fig. 6

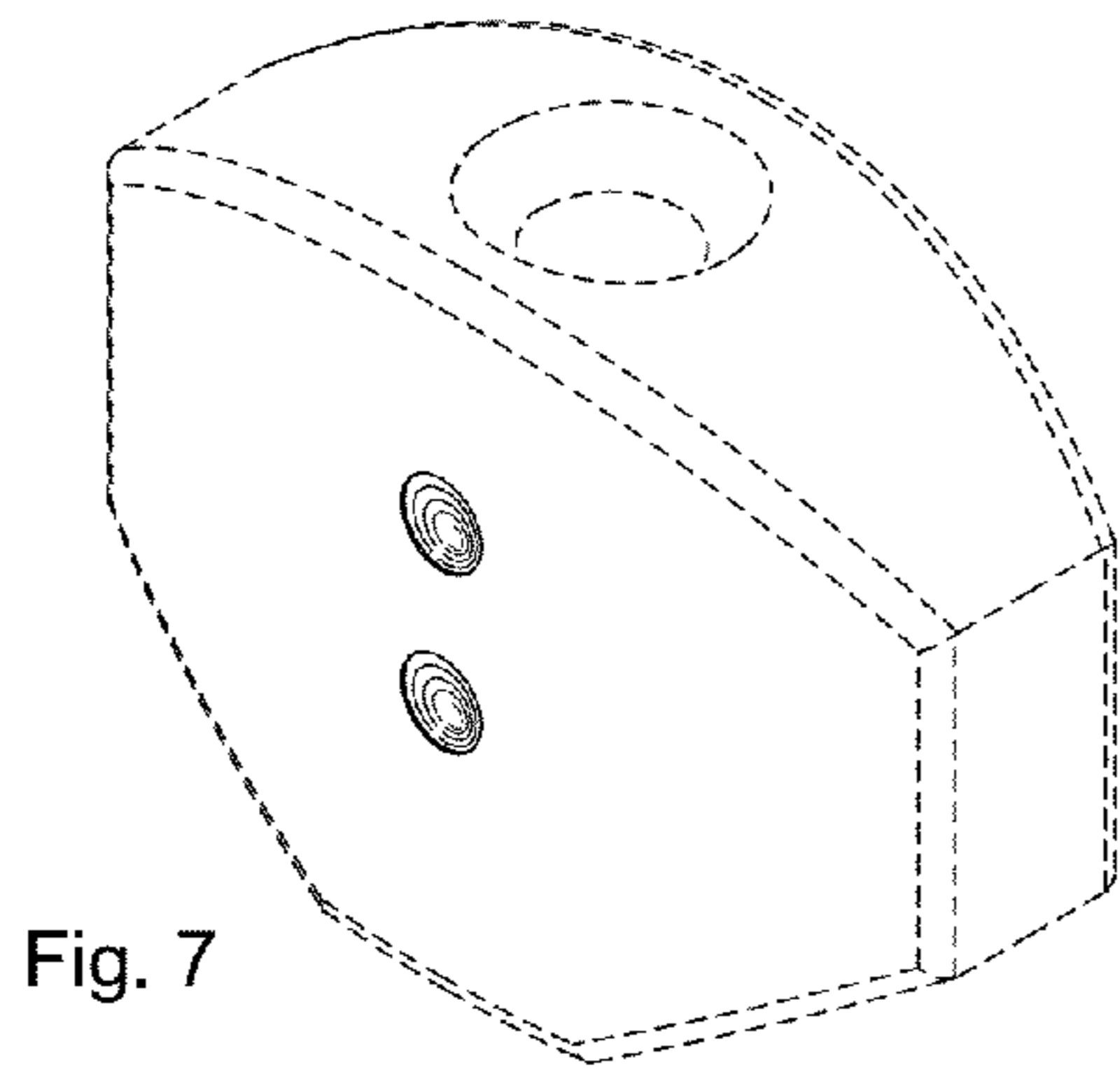


Fig. 7

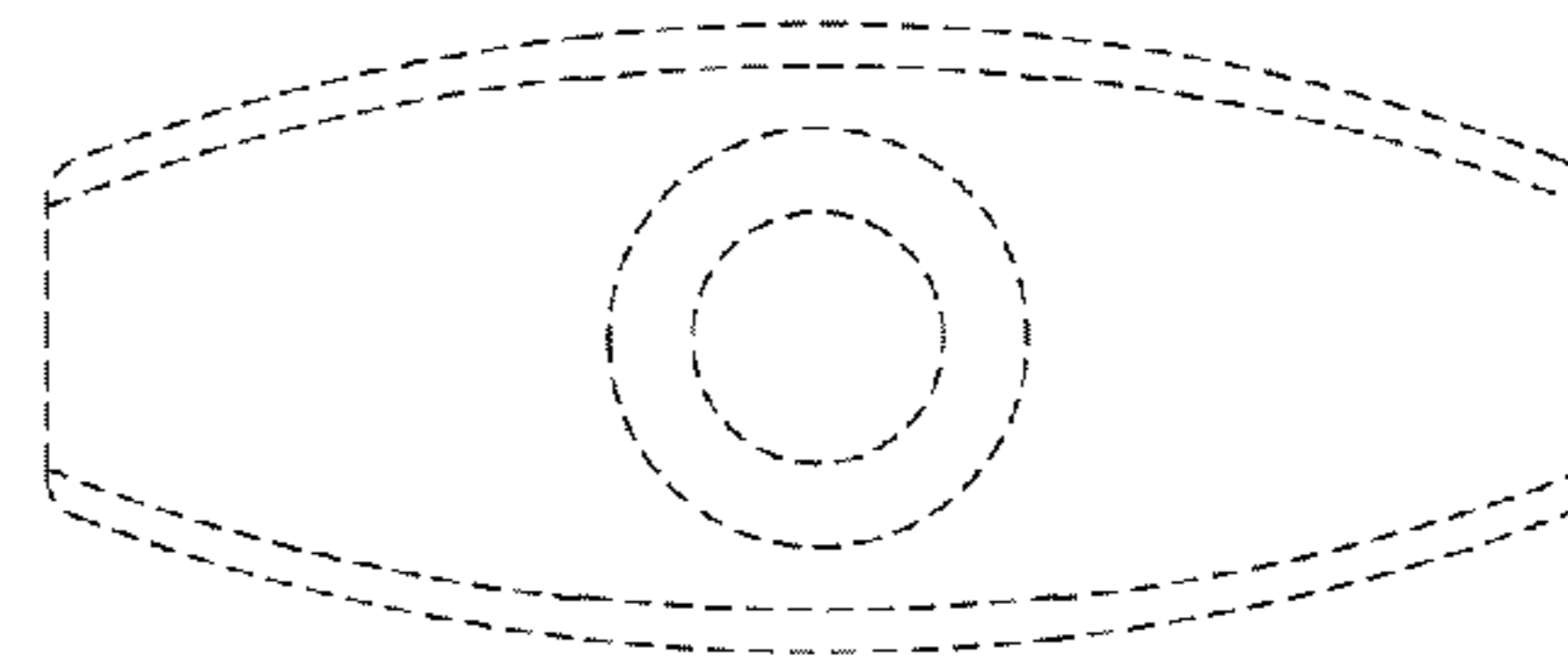


Fig. 8

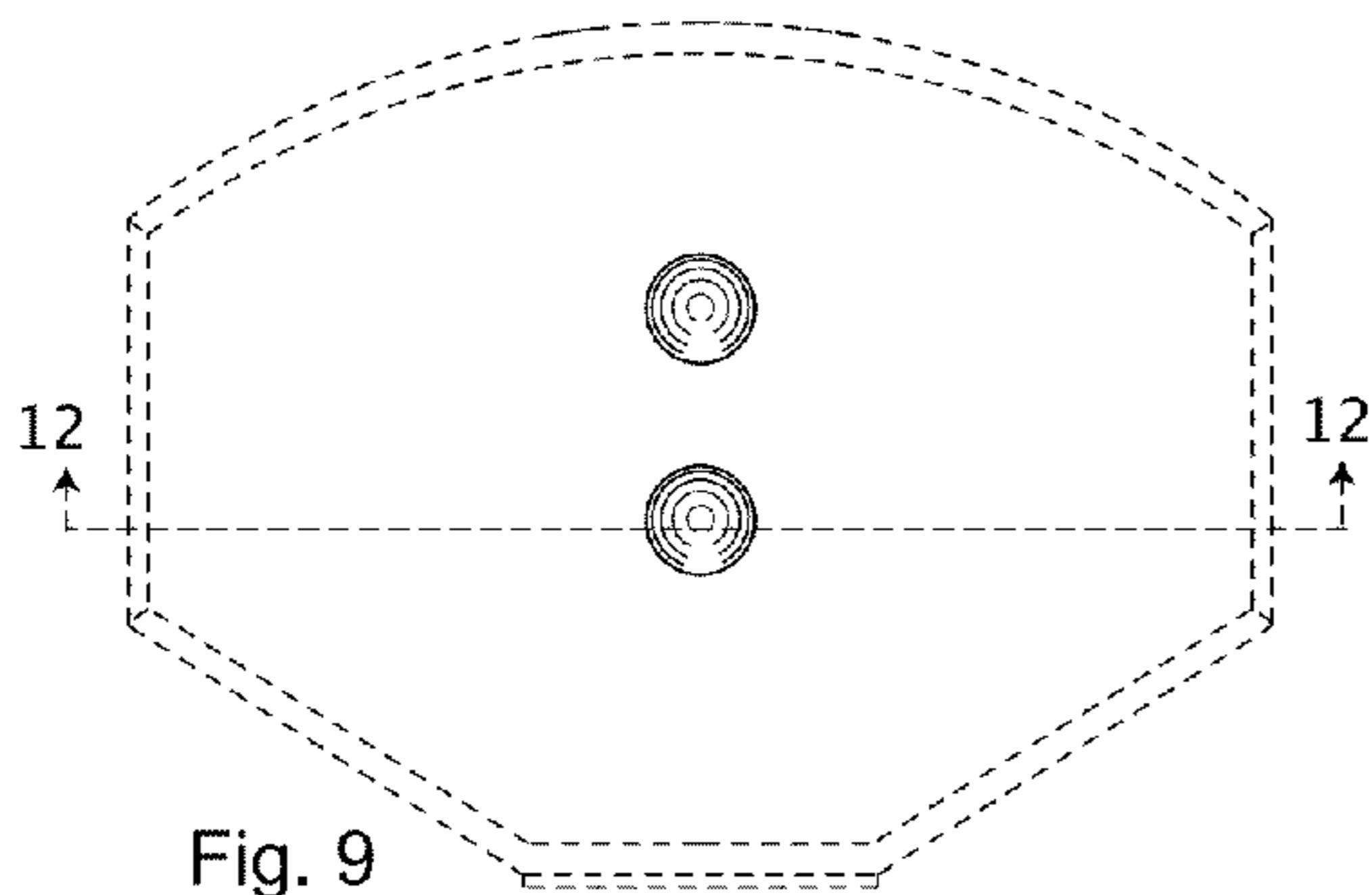


Fig. 9

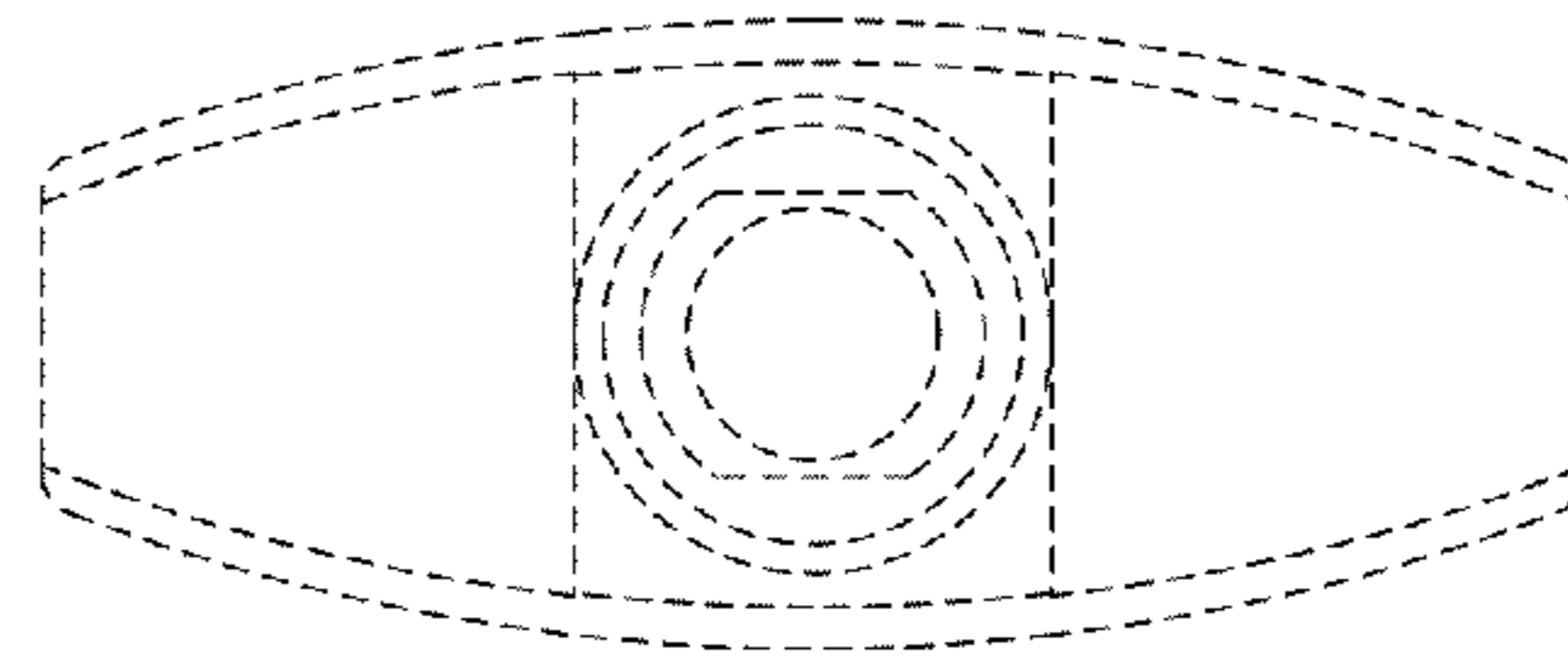


Fig. 10

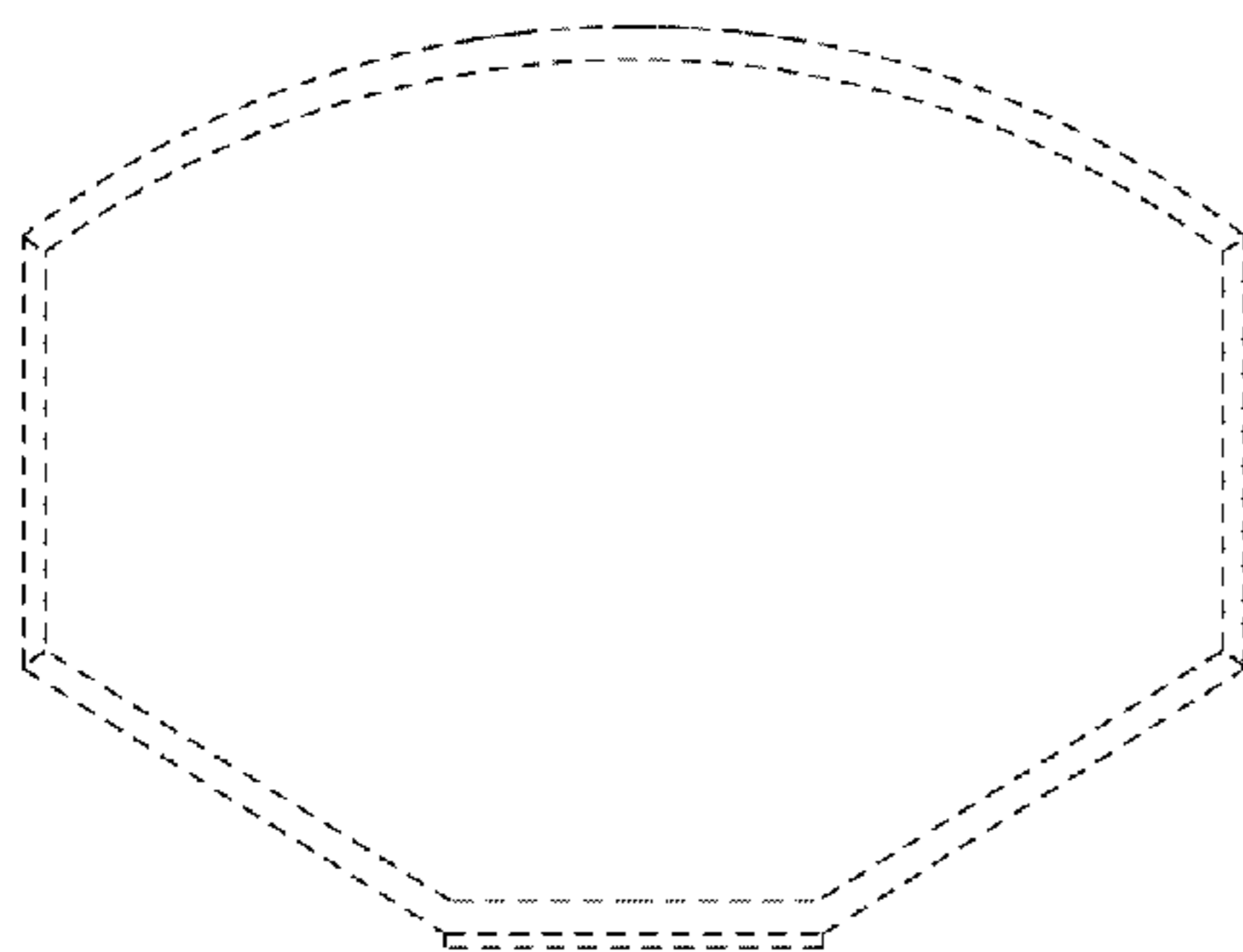


Fig. 11

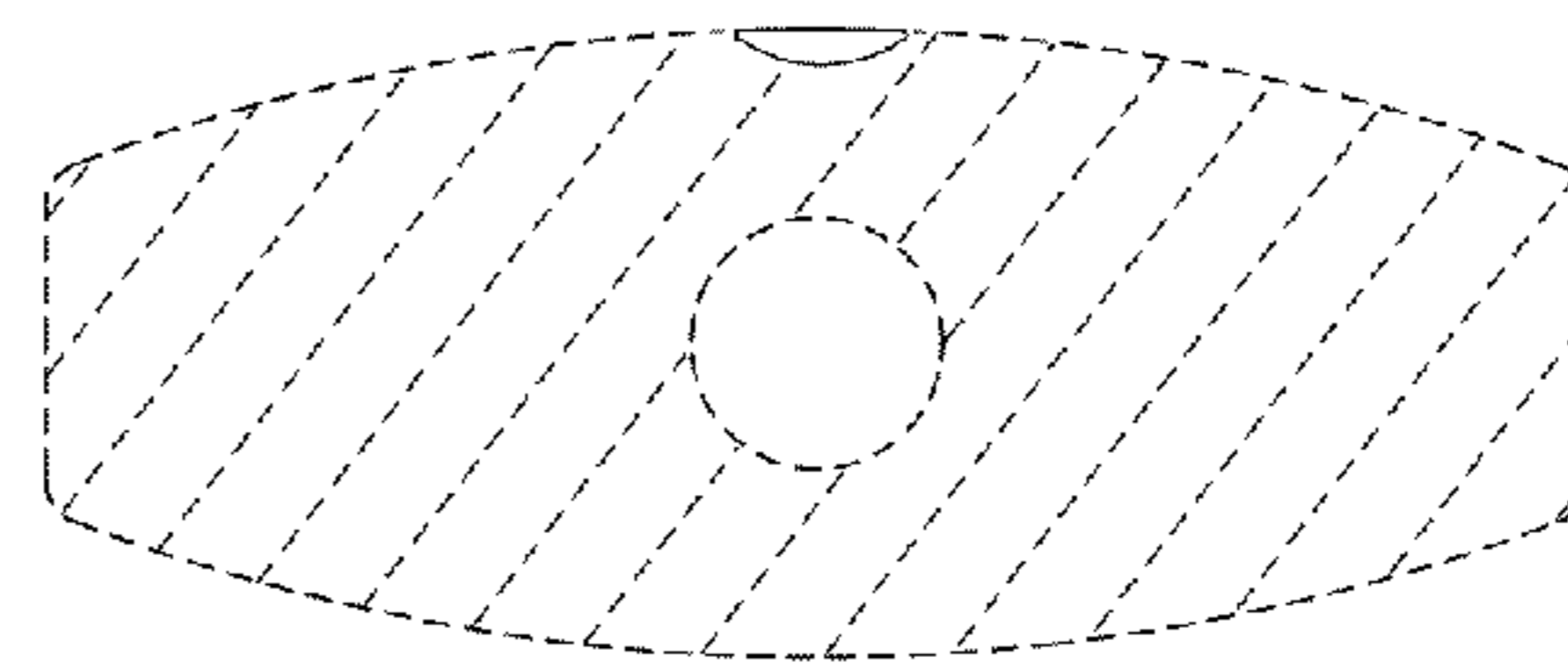


Fig. 12